

[54] **REHABILITATION THERAPY BOARD**

4,337,050 6/1982 Engalitcheff, Jr. 434/260

[76] **Inventor: George O. Cotton, 7021 E. Gross Rd.,
Bloomington, Ind. 47401**

Primary Examiner—A. Hugo Word
Assistant Examiner—Stella M. Reid

[**] **Term: 14 Years**

[57] **CLAIM**

[21] **Appl. No.: 121,589**

The ornamental design for a rehabilitation therapy board, as shown and described.

[22] **Filed: Nov. 16, 1987**

DESCRIPTION

[52] **U.S. Cl. D24/36; D21/52**

[58] **Field of Search D24/36, 34, 99;
434/407, 62, 260; 272/132; D19/62, 59;
D21/104, 52**

FIG. 1 is a perspective view of a rehabilitation therapy board, showing my new design;

FIG. 2 is a top plan view thereof;

FIG. 3 is an elevational view as seen looking down from the top of FIG. 2;

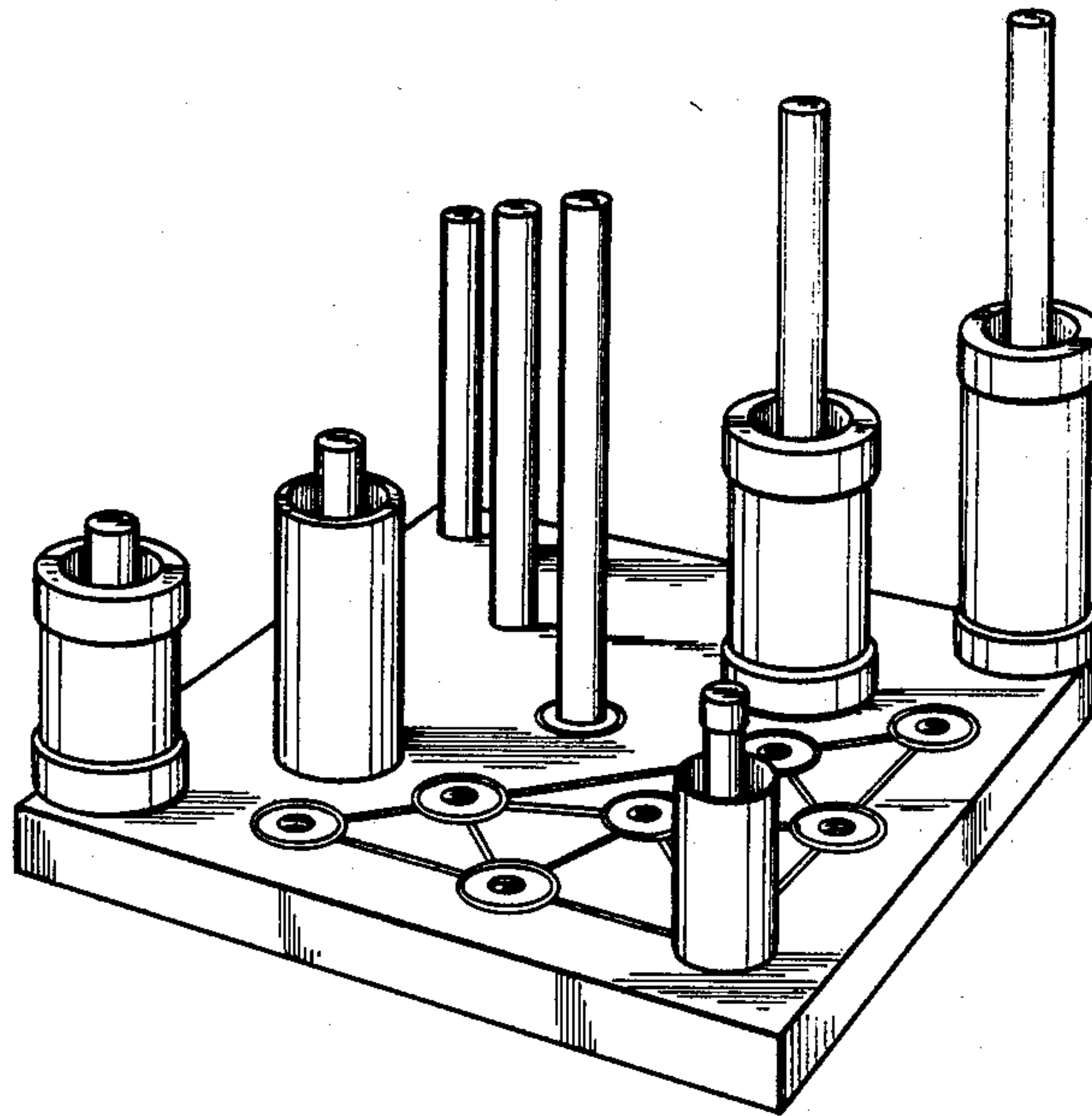
FIG. 4 is an elevational view as seen looking to the left from the right of FIG. 2.

The bottom is flat and unornamented.

[56] **References Cited**

U.S. PATENT DOCUMENTS

D. 281,083 10/1985 Gabriel D19/62



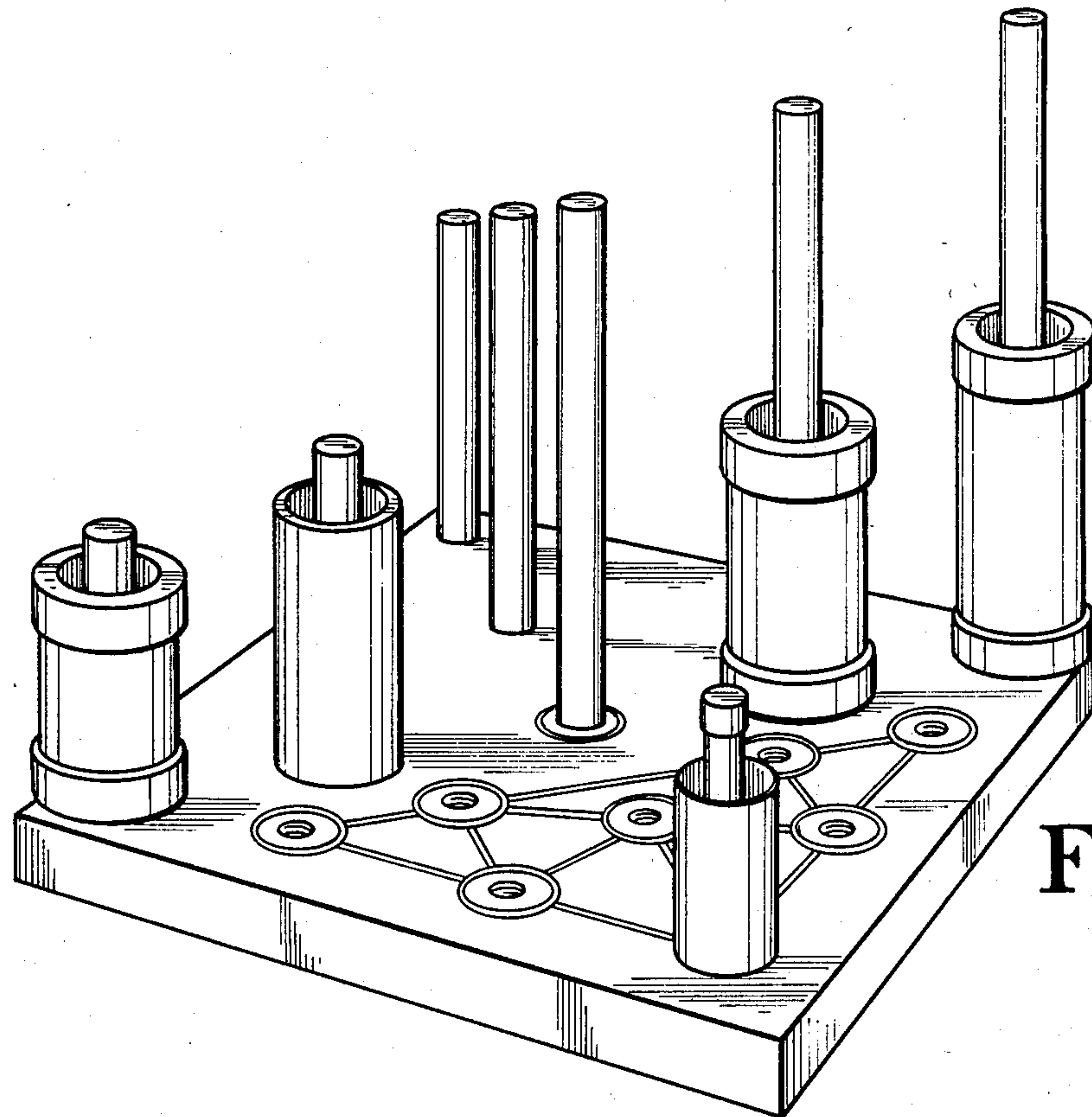


Fig. 1

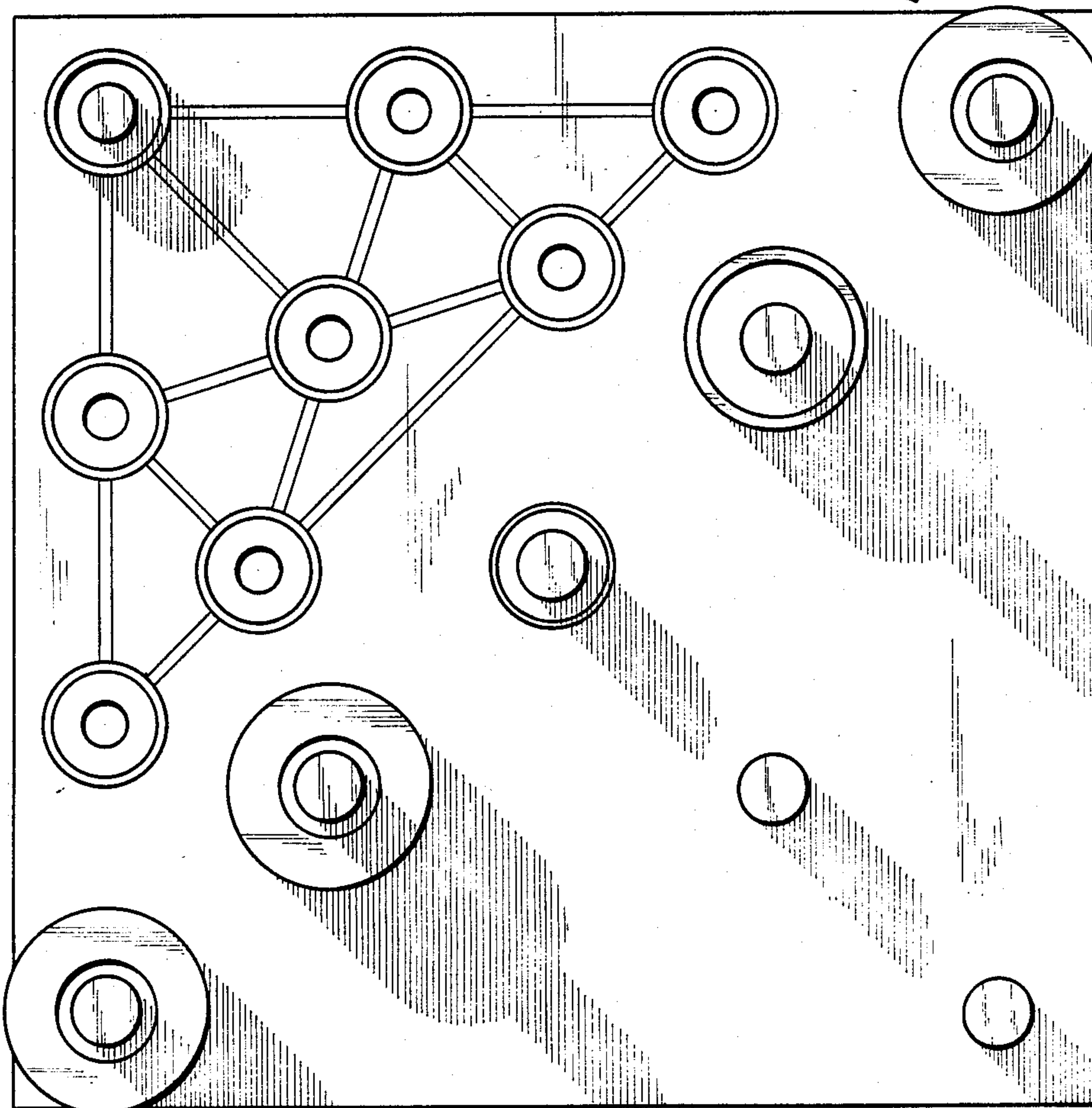


Fig. 2

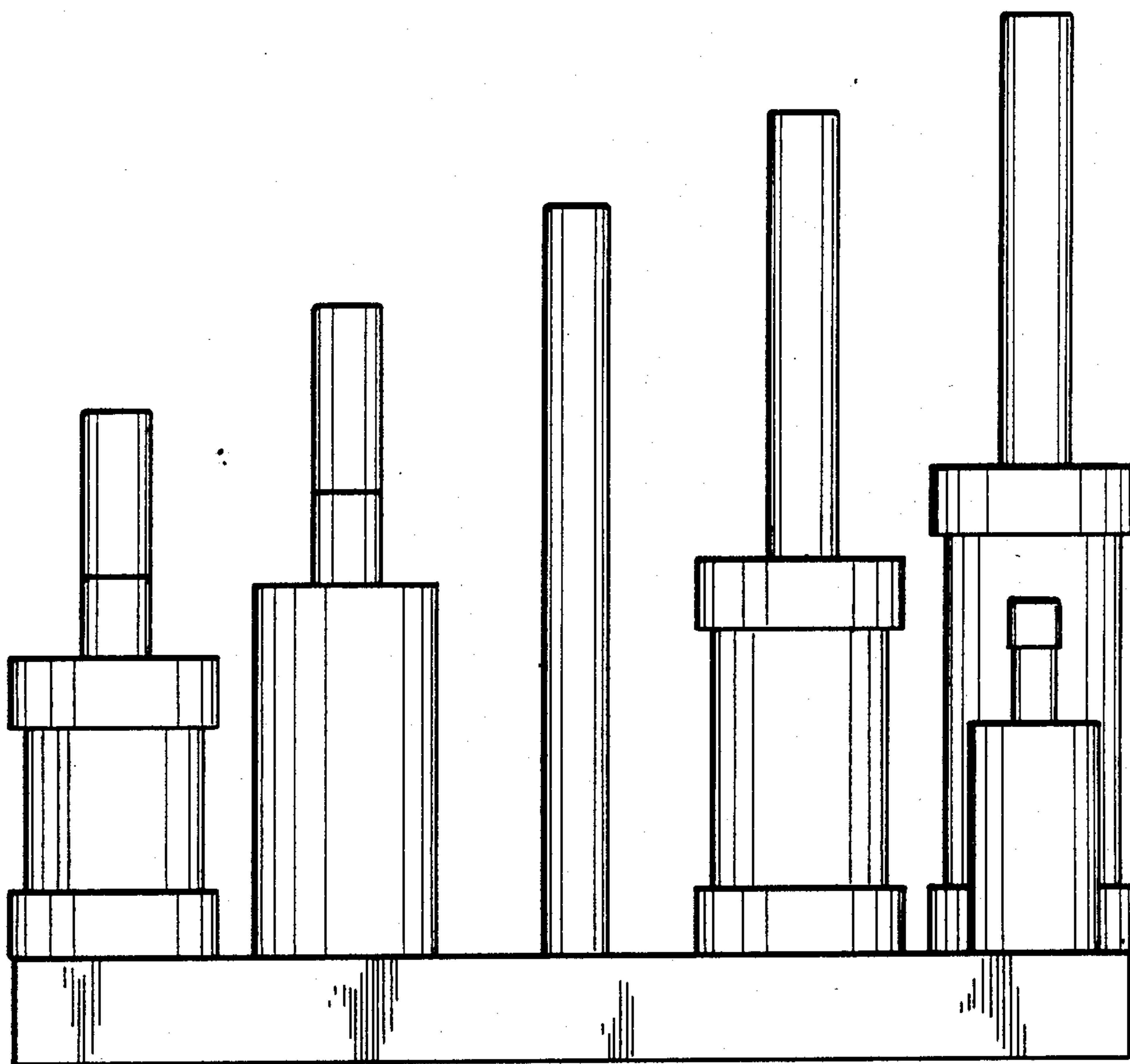


Fig. 3

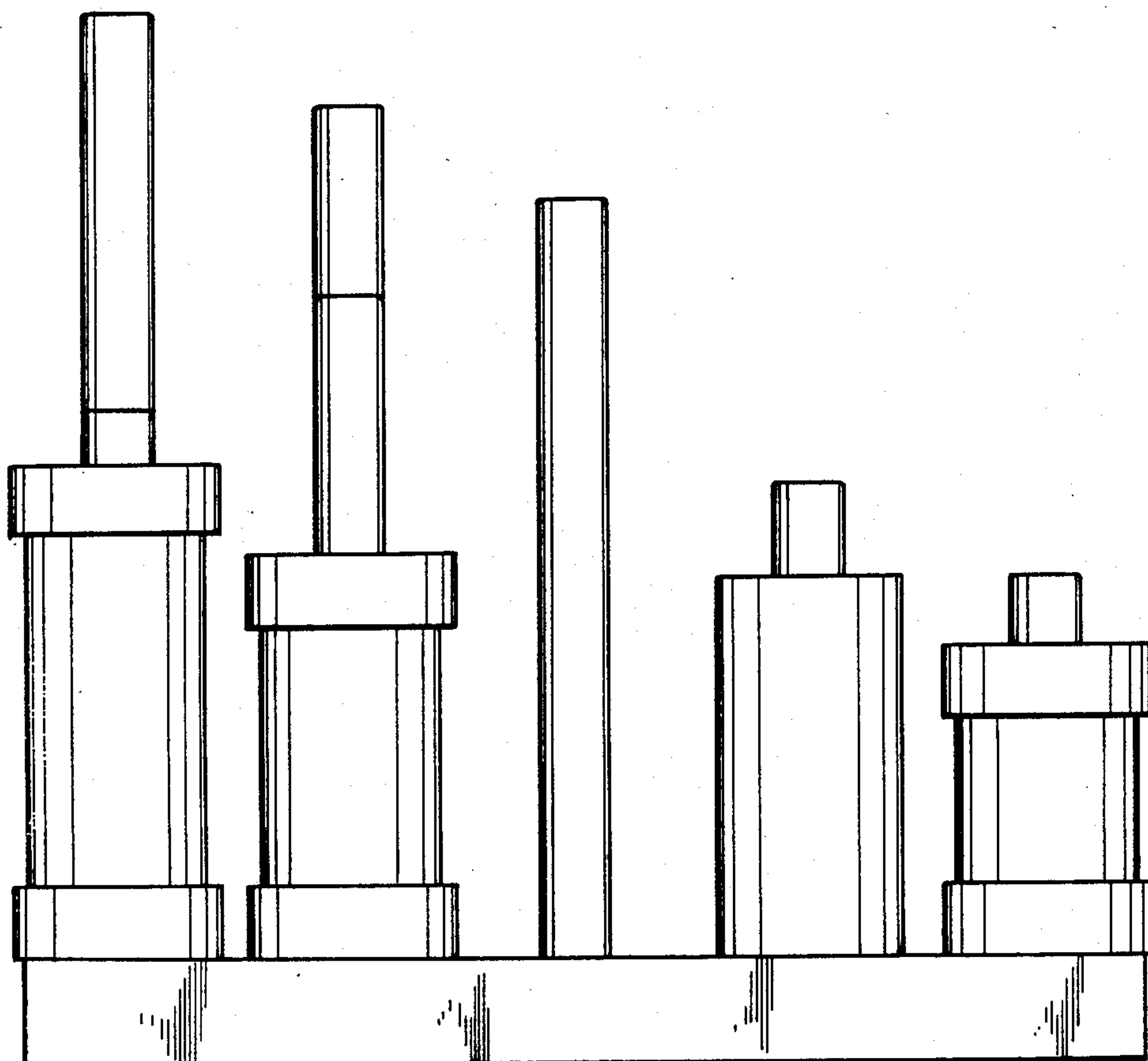


Fig. 4