

[54] PREGNANCY TEST KIT

[75] Inventor: James E. Parker, Long Beach, Calif.

[73] Assignee: V-Tech, Inc., Pomona, Calif.

[**] Term: 14 Years

[21] Appl. No.: 132,866

[22] Filed: Dec. 14, 1987

[52] U.S. Cl. D24/17

[58] Field of Search D24/17, 8; 206/569; 436/45.65, 510, 517, 518, 523, 524, 531, 534, 543, 804, 814, 906; 435/291, 301, 810; 422/68, 58, 61, 100-102; 128/738

[56] References Cited

U.S. PATENT DOCUMENTS

- D. 241,173 8/1976 Corneille D24/17
- D. 241,174 8/1976 Corneille D24/17
- D. 275,789 10/1984 Byrne D24/8

- D. 283,640 4/1986 Grimes D24/17
- D. 288,716 3/1987 Covell et al. D24/17

Primary Examiner—Wallace R. Burke
Assistant Examiner—Stella M. Reid
Attorney, Agent, or Firm—Drucker & Sommers

[57] CLAIM

The ornamental design for a pregnancy test kit, as shown and described.

DESCRIPTION

FIG. 1 is a top, front perspective view of a pregnancy test kit, showing my new design;
FIG. 2 is a top plan view thereof;
FIG. 3 is a front elevational view thereof;
FIG. 4 is a side elevational view thereof;
FIG. 5 is a side elevational view thereof, opposite that shown in FIG. 4;
FIG. 6 is an exploded top perspective view thereof; and
FIG. 7 is a top perspective view of the bottom portion of the kit with utensils removed.

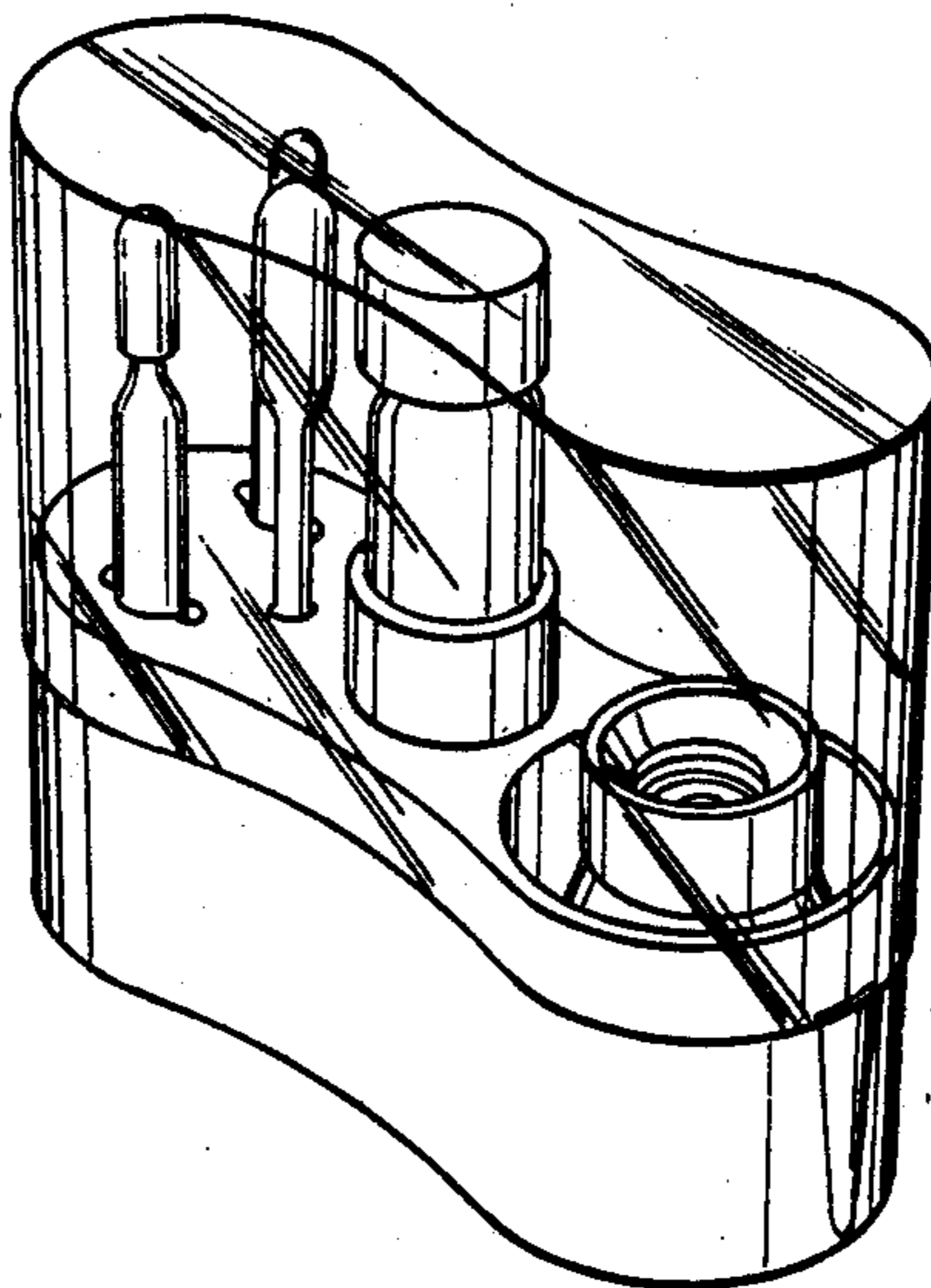


Fig. 1

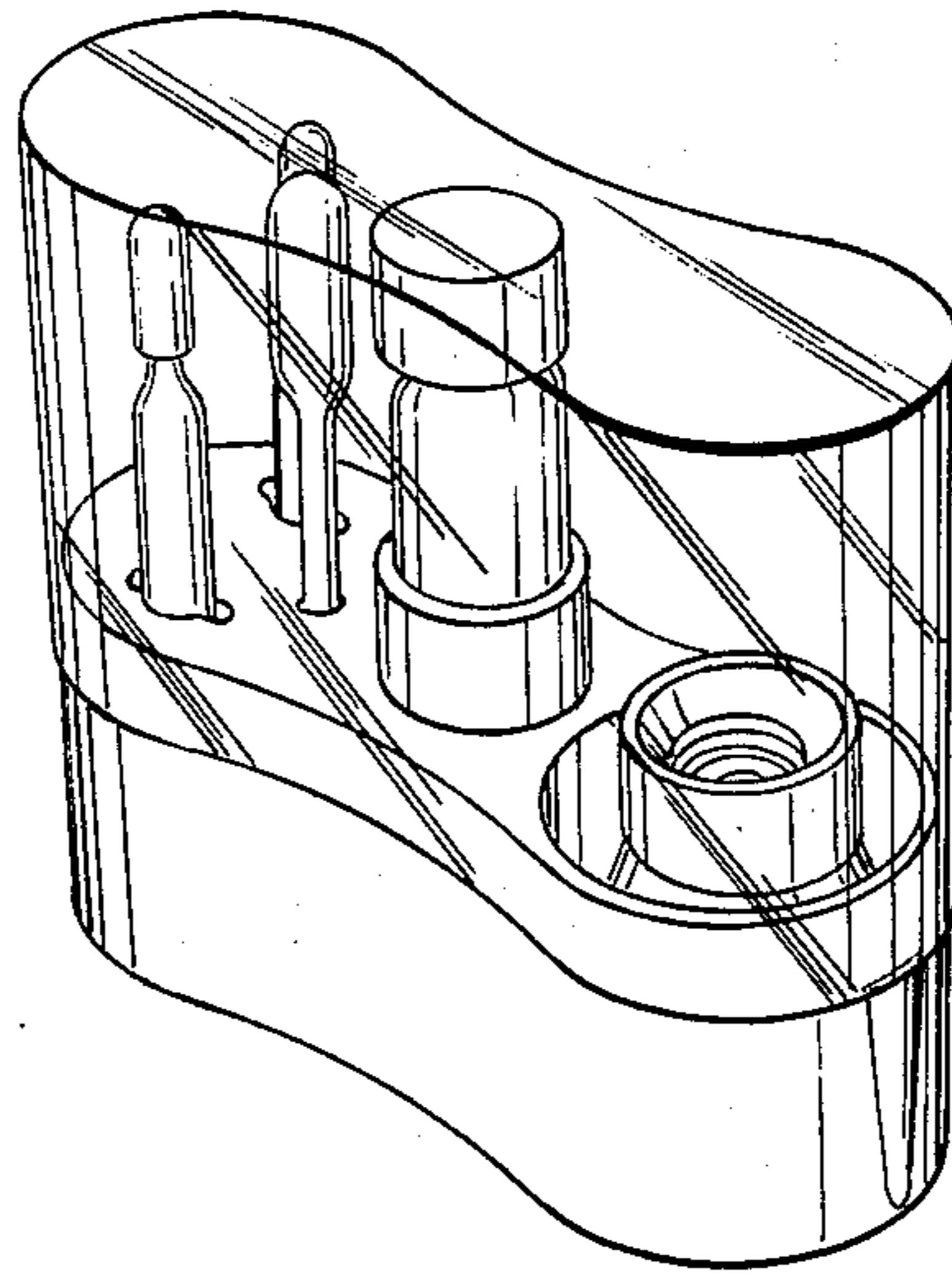


Fig. 2

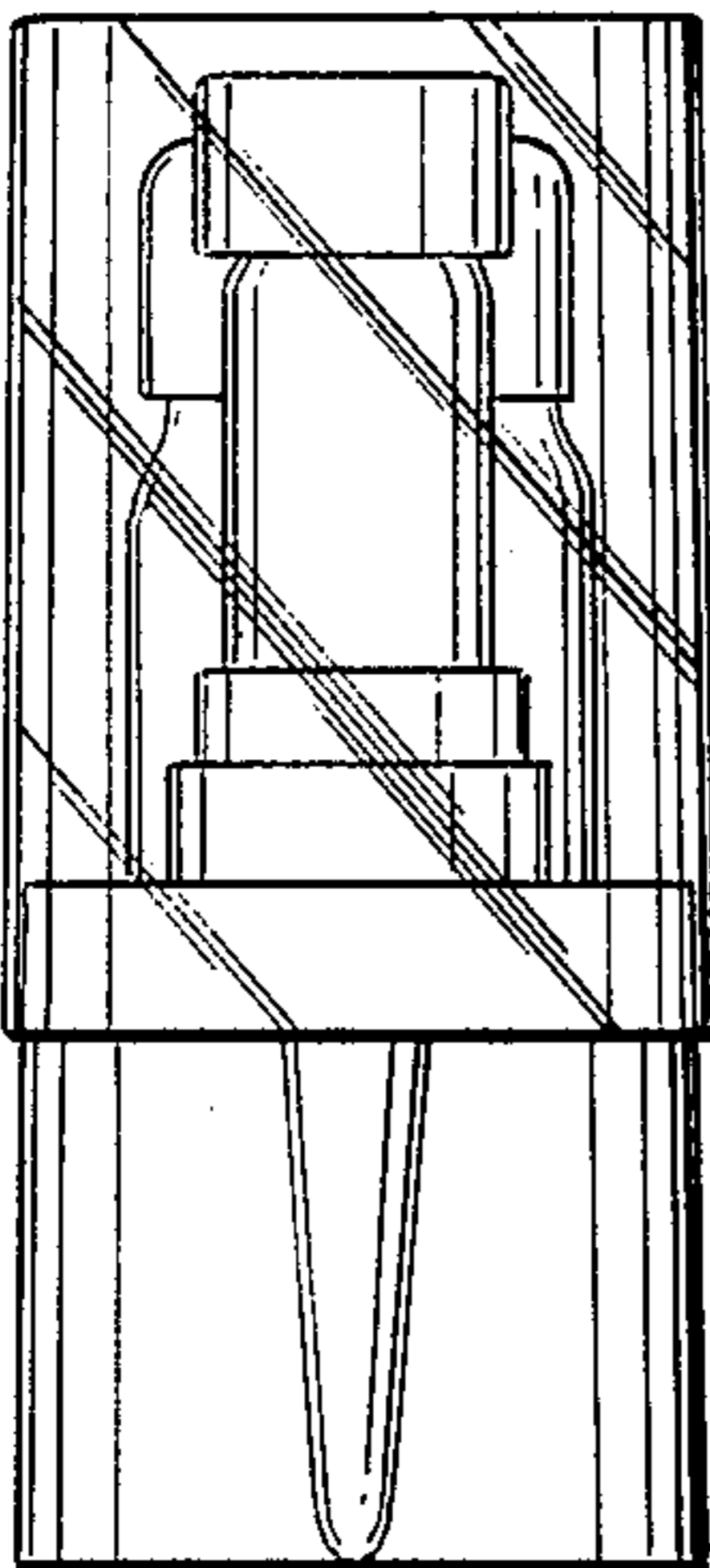
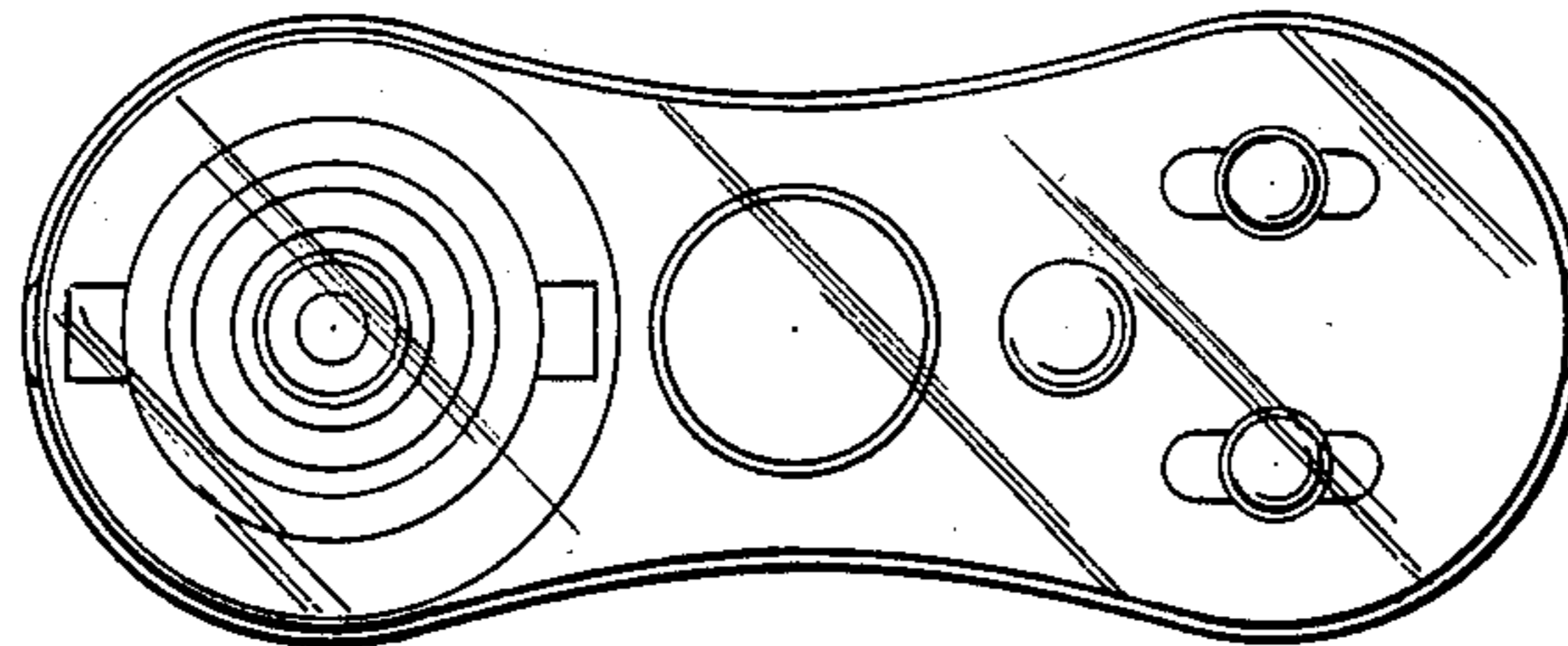


Fig. 4

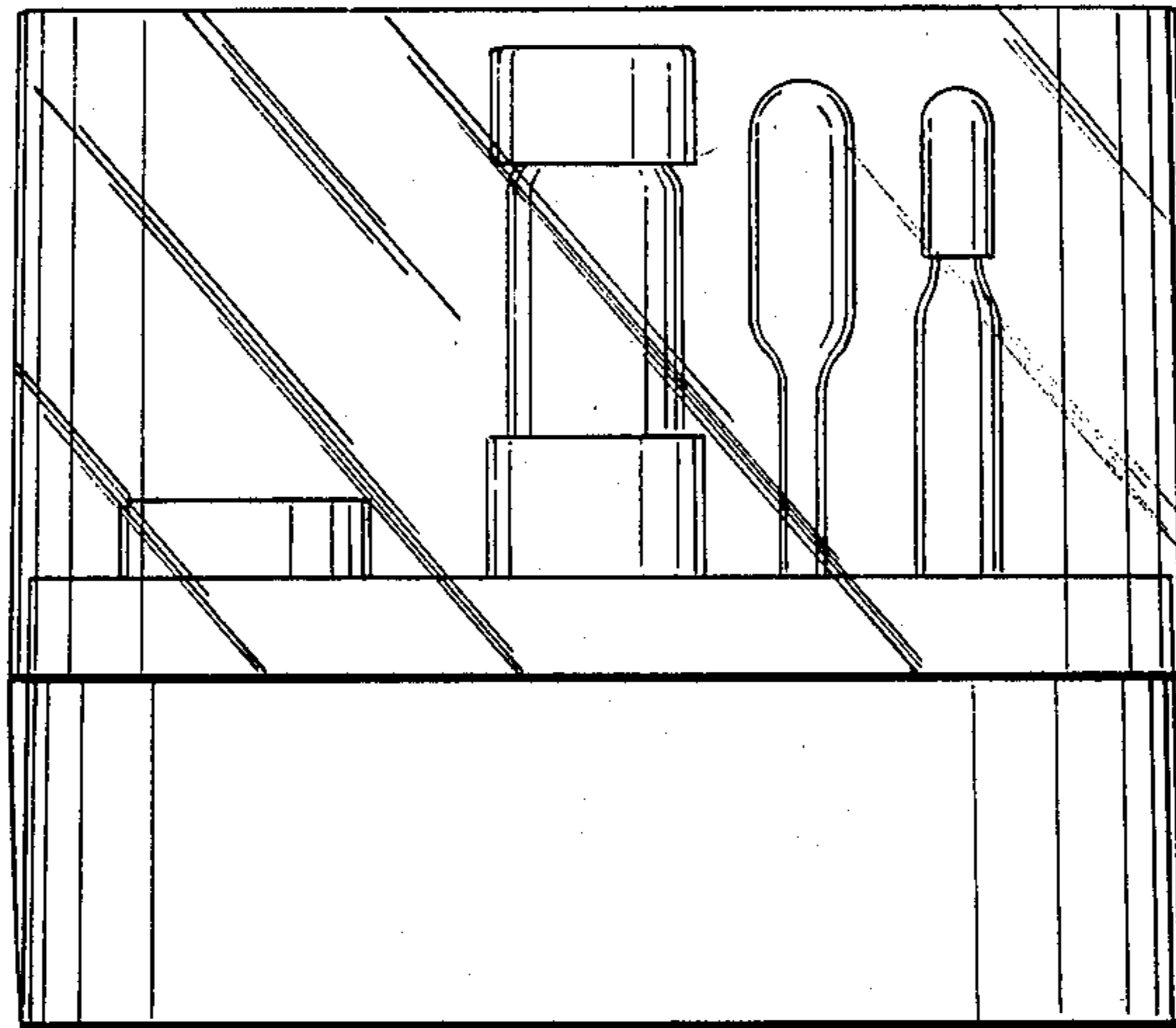


Fig. 3

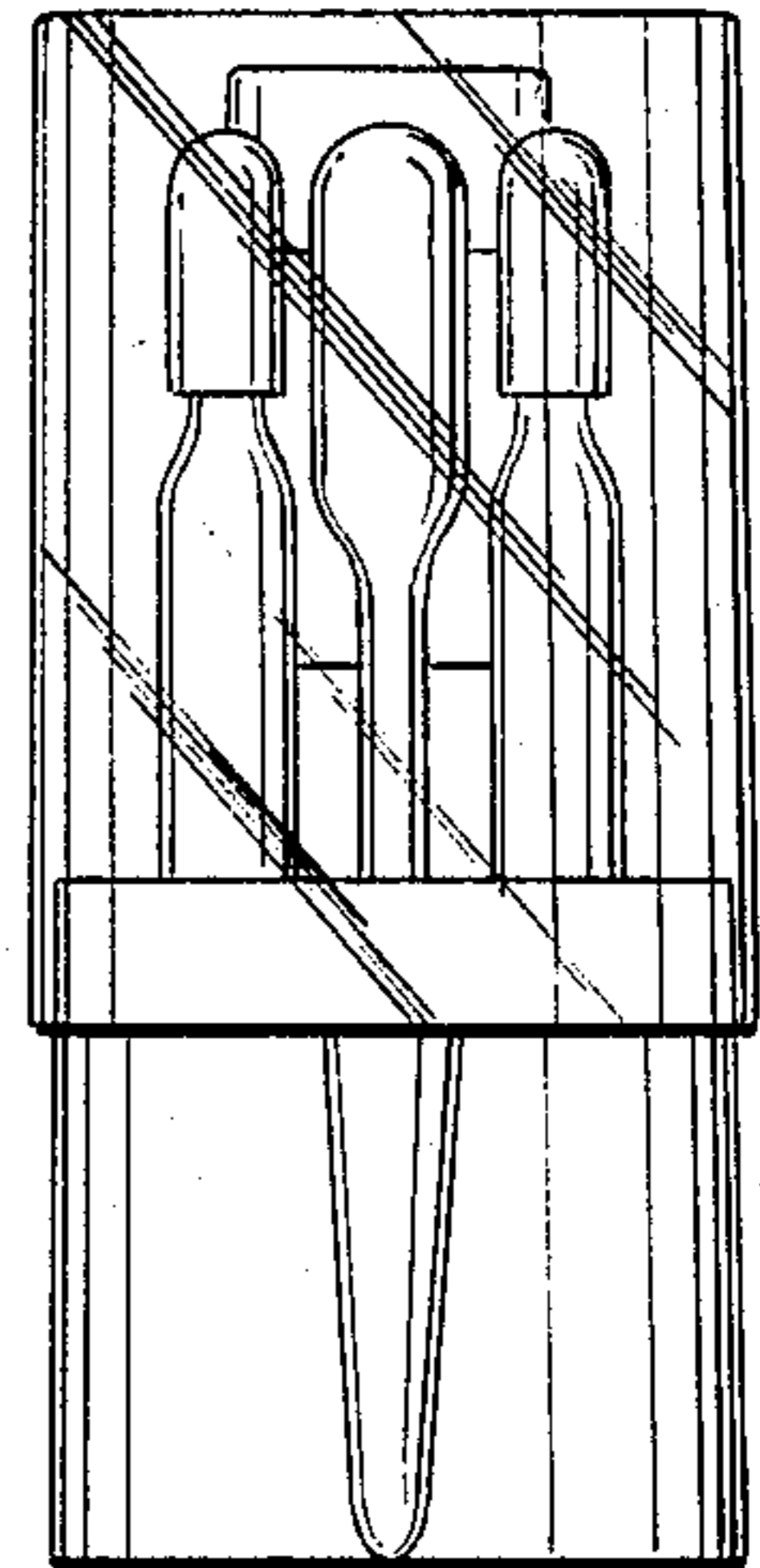


Fig. 5

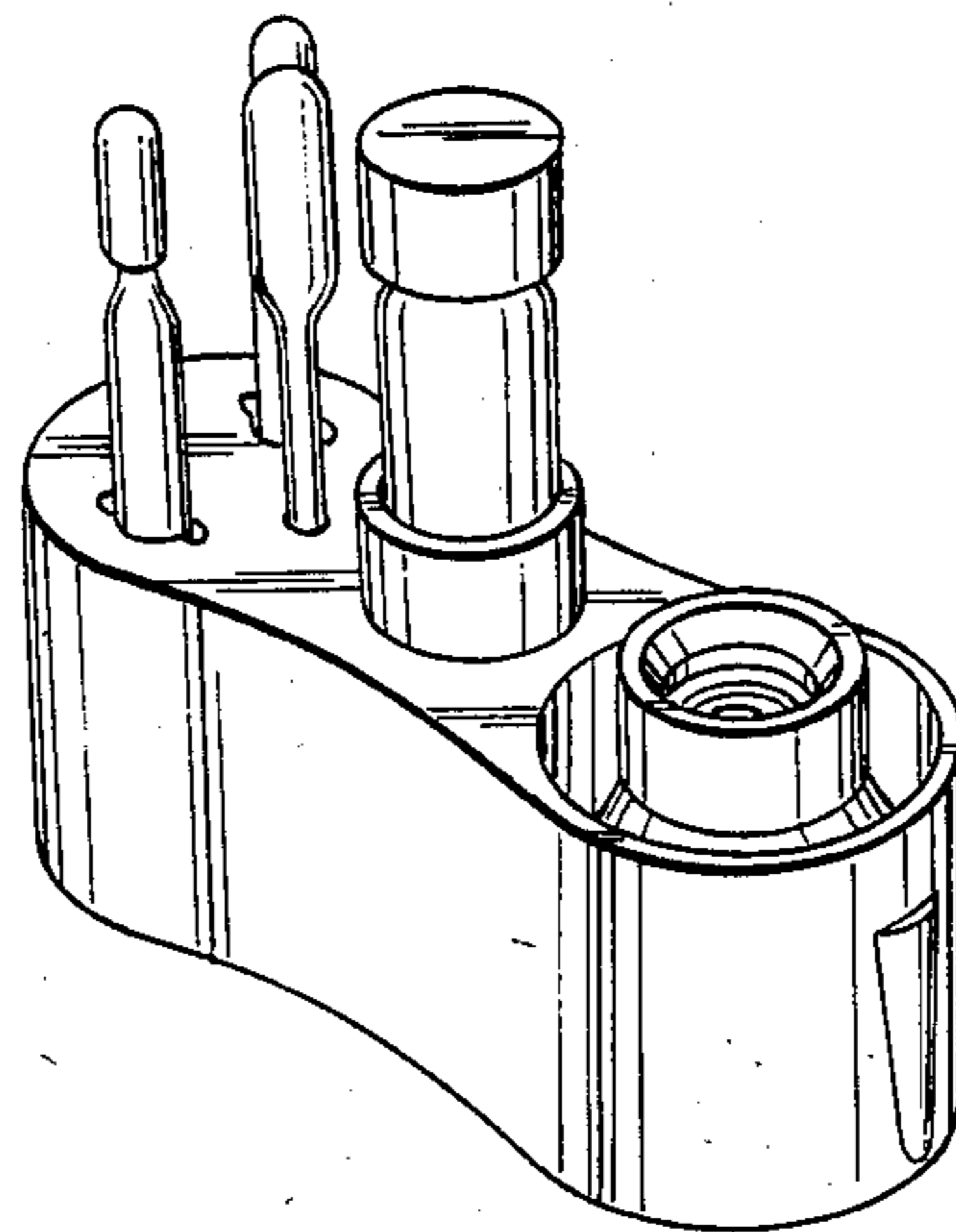
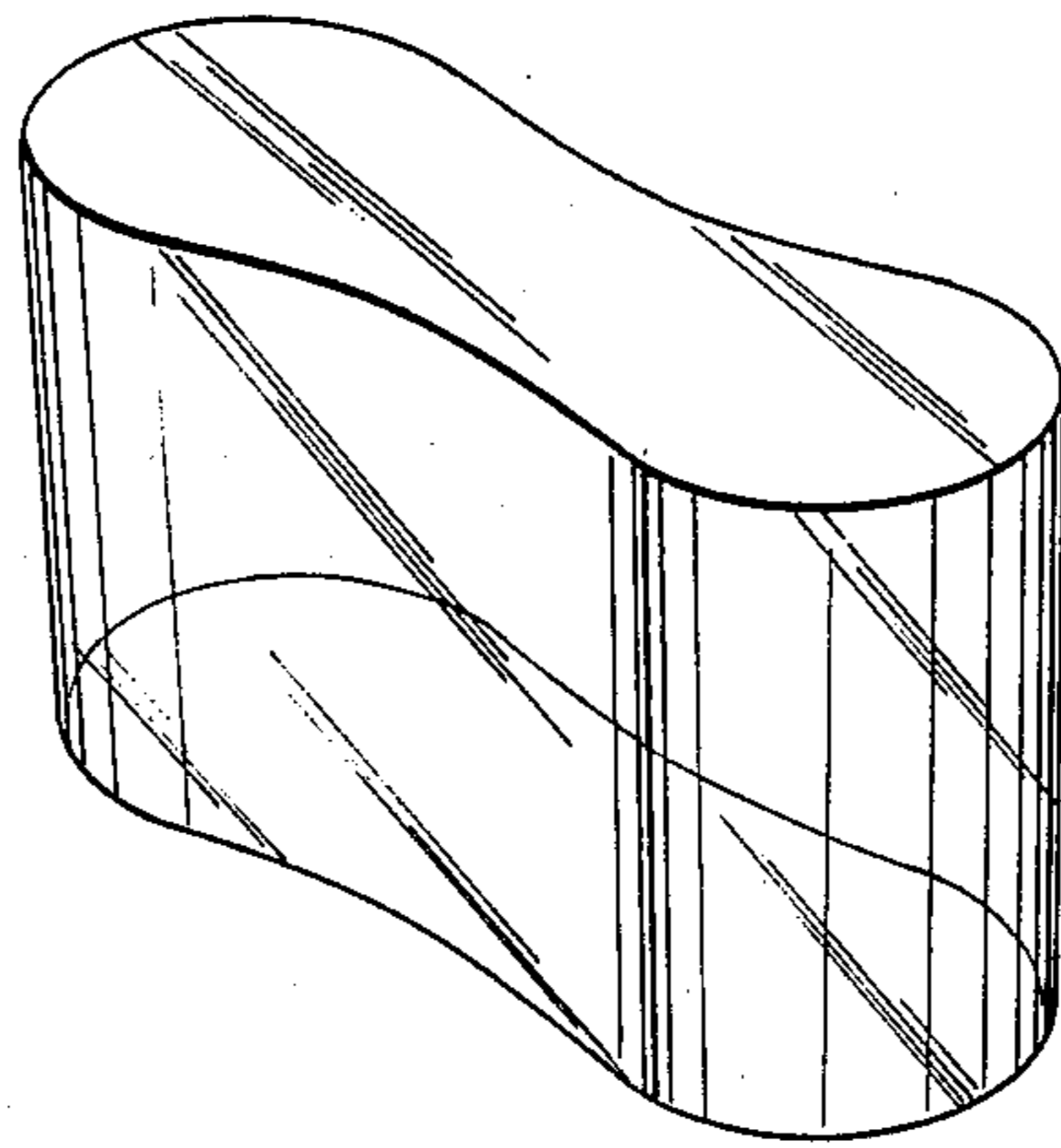


Fig. 6

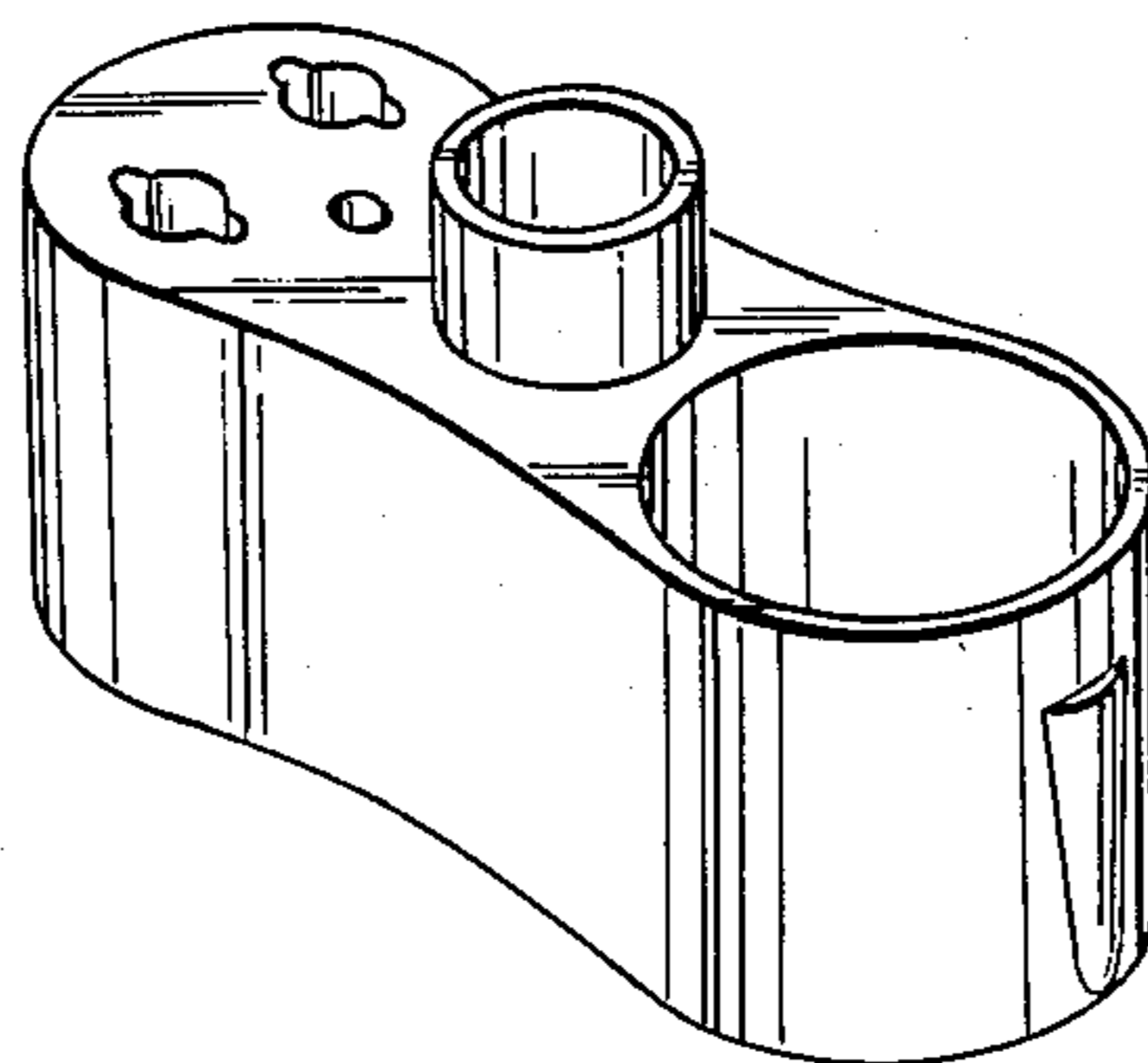


Fig. 7