

[54] CEILING FAN BLADE

[76] Inventor: William N. Taylor, III, 2414 Shady Lake Cir., Carrollton, Tex. 75006

[\*\*] Term: 14 Years

[21] Appl. No.: 393,466

[22] Filed: Aug. 14, 1989

Related U.S. Application Data

[62] Division of Ser. No. 174,639, Mar. 29, 1988.

[52] U.S. Cl. .... D23/413

[58] Field of Search ..... D23/370, 411, 377, 413, D23/379, 385; 416/206, 205, 5; 362/96, 404, 405; D21/235

References Cited

U.S. PATENT DOCUMENTS

- D. 246,795 12/1977 Bonifant ..... D23/413
- D. 262,736 1/1982 Wooden ..... D23/413

OTHER PUBLICATIONS

W. S. Darley & Co. Municipal Supplies Catalogue No. 148, p. 97, Emergency Auxiliary Stretcher, side of page.

Primary Examiner—James M. Gandy

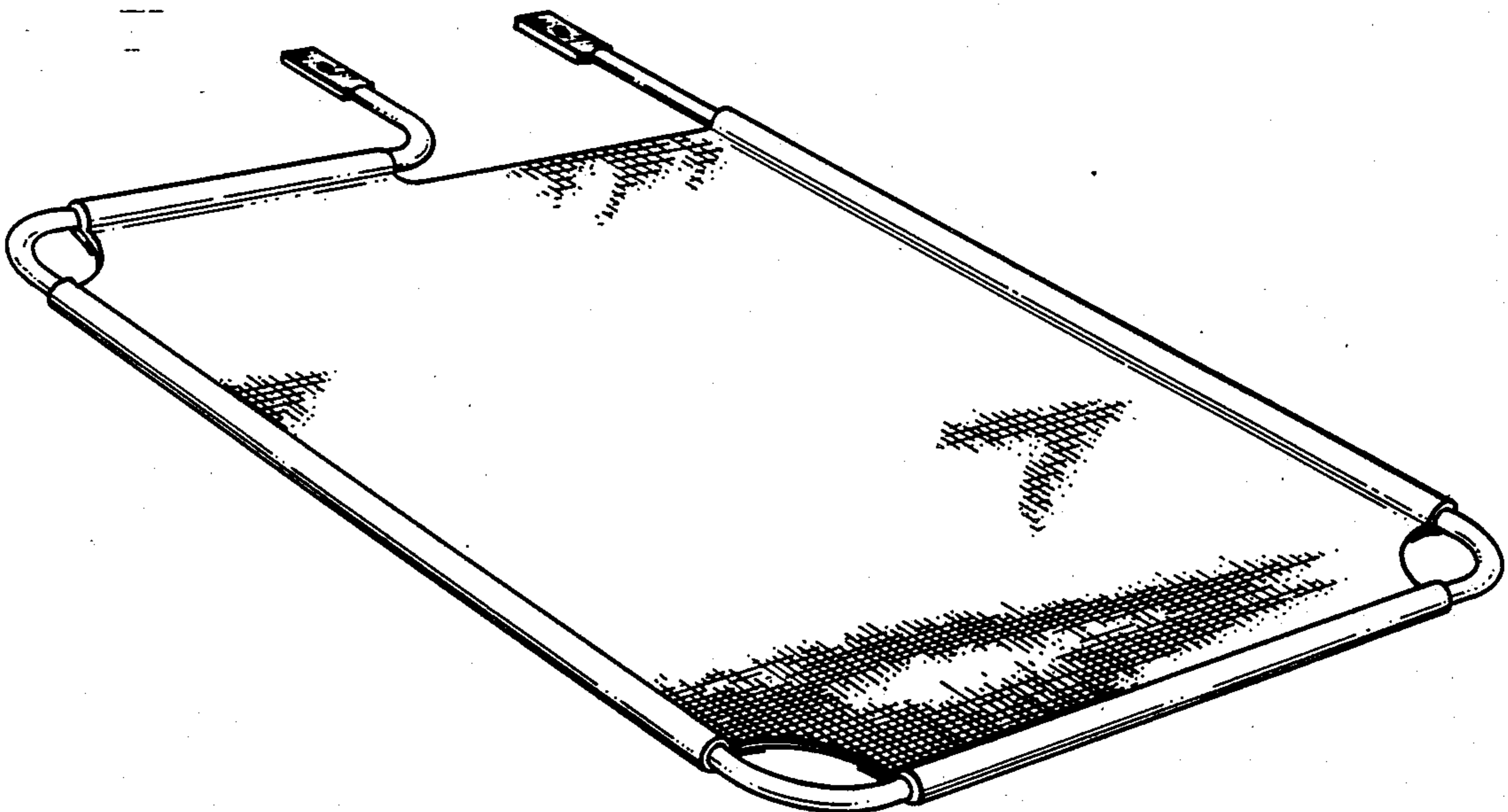
Assistant Examiner—Lisa Lichtenstein  
Attorney, Agent, or Firm—W. Kirk McCord

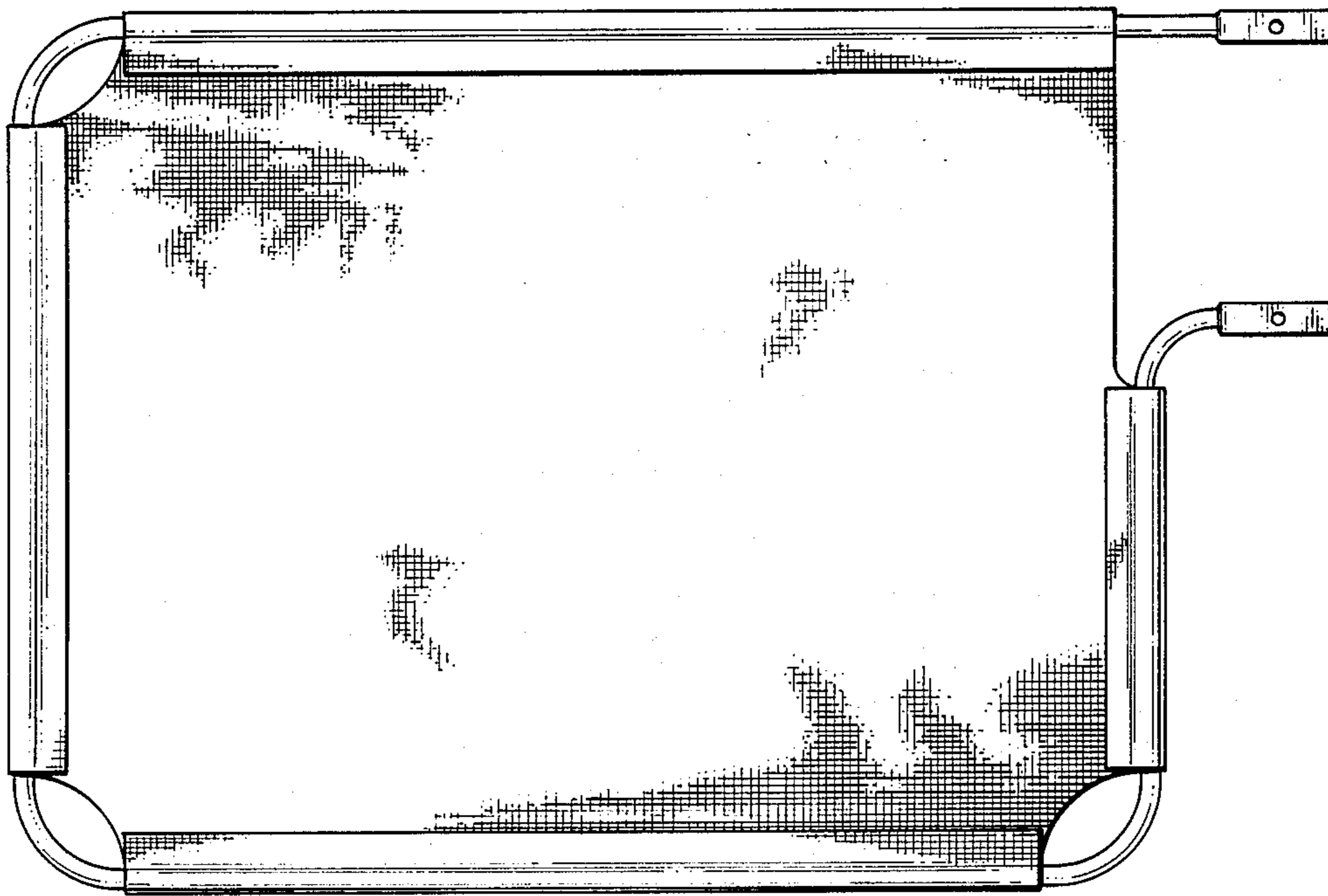
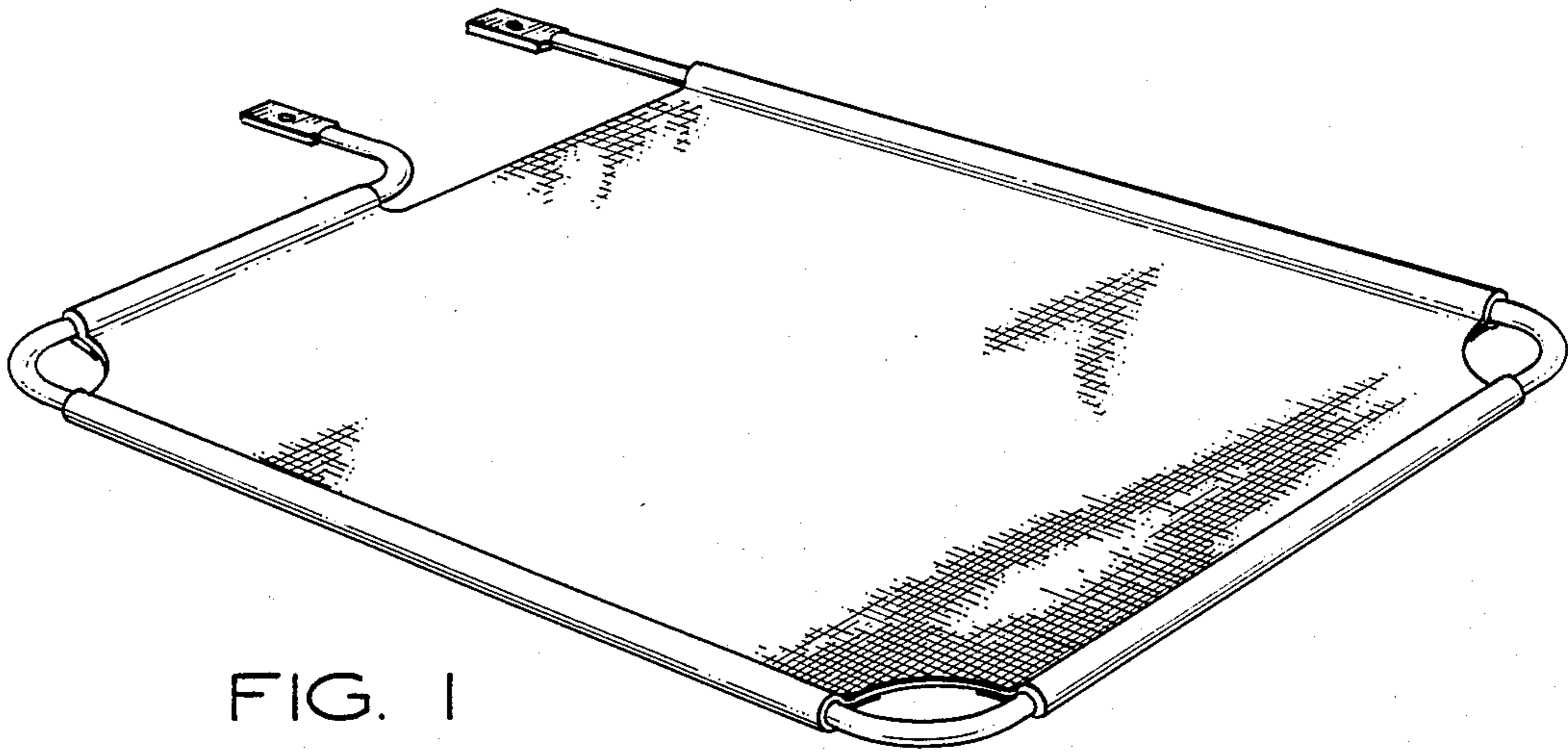
[57] CLAIM

The ornamental design for a ceiling fan blade, as shown and described.

DESCRIPTION

FIG. 1 is a top perspective view of a ceiling fan blade showing my new design;  
 FIG. 2 is a bottom plan view thereof;  
 FIG. 3 is a left end elevation view thereof;  
 FIG. 4 is a left side elevation view thereof;  
 FIG. 5 is a top plan view thereof;  
 FIG. 6 is a right end elevation view thereof;  
 FIG. 7 is a right side elevation view thereof;  
 FIG. 8 is a top perspective view of a ceiling fan blade showing a second embodiment of my new design;  
 FIG. 9 is a bottom plan view of FIG. 8;  
 FIG. 10 is a left end elevation view of FIG. 8;  
 FIG. 11 is a left side elevation view of FIG. 8;  
 FIG. 12 is a top plan view of FIG. 8;  
 FIG. 13 is a right end elevation view of FIG. 8; and  
 FIG. 14 is a right side elevation view of FIG. 8.  
 The fragmentary criss-cross pattern shown in FIGS. 1, 2, 5, 8, 9 and 12, is understood to be repeated uniformly throughout the rectangular area as shown.





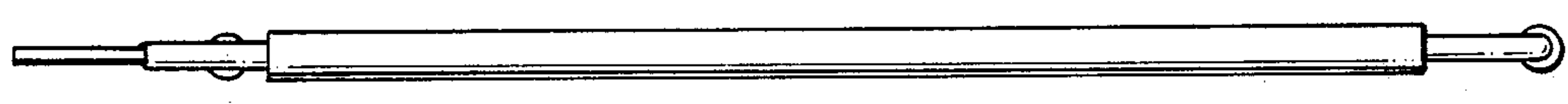


FIG. 4

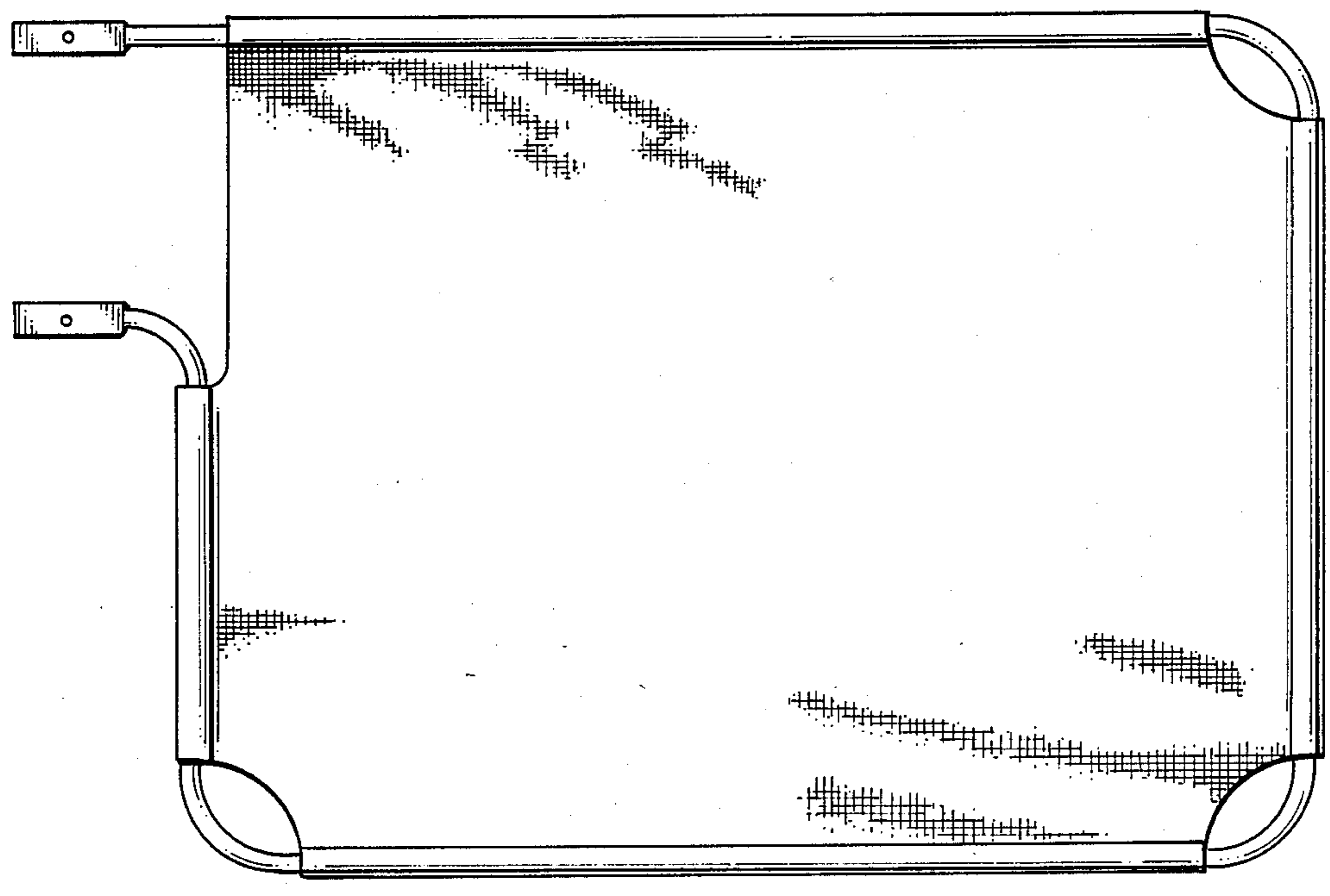


FIG. 5



FIG. 6

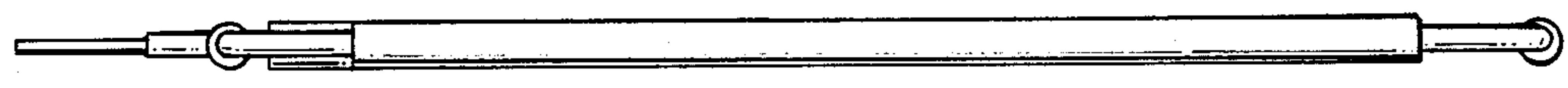


FIG. 7

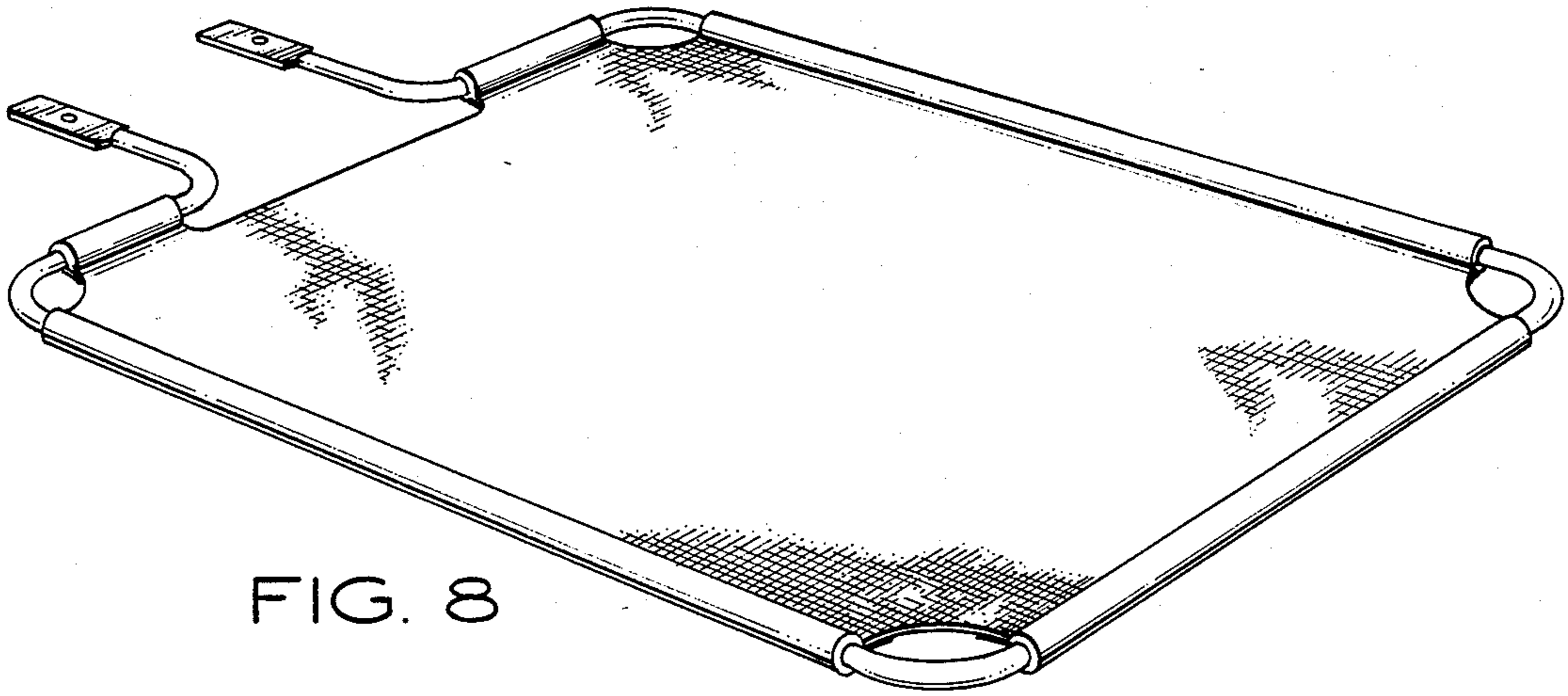


FIG. 8

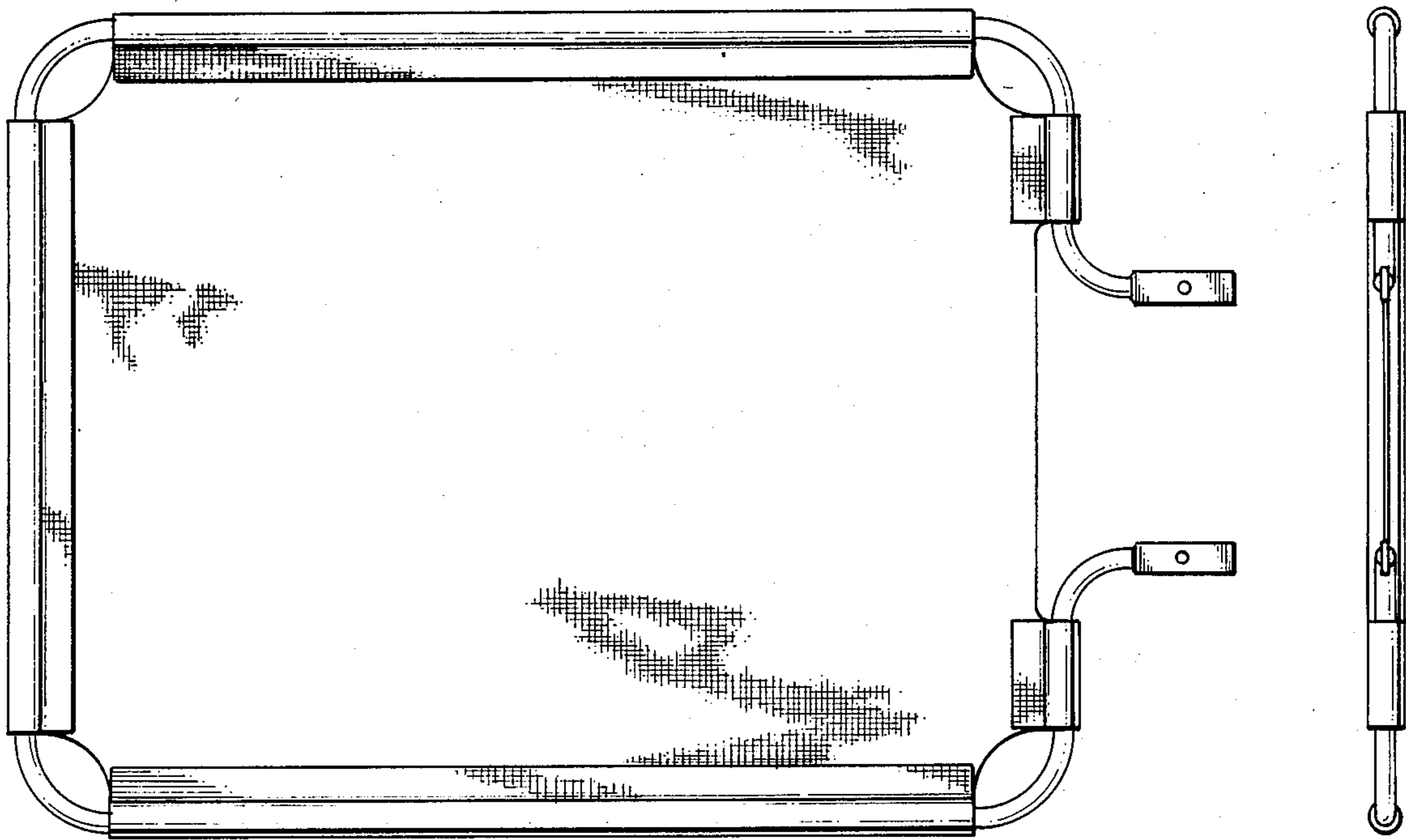


FIG. 9

FIG. 10



FIG. 11

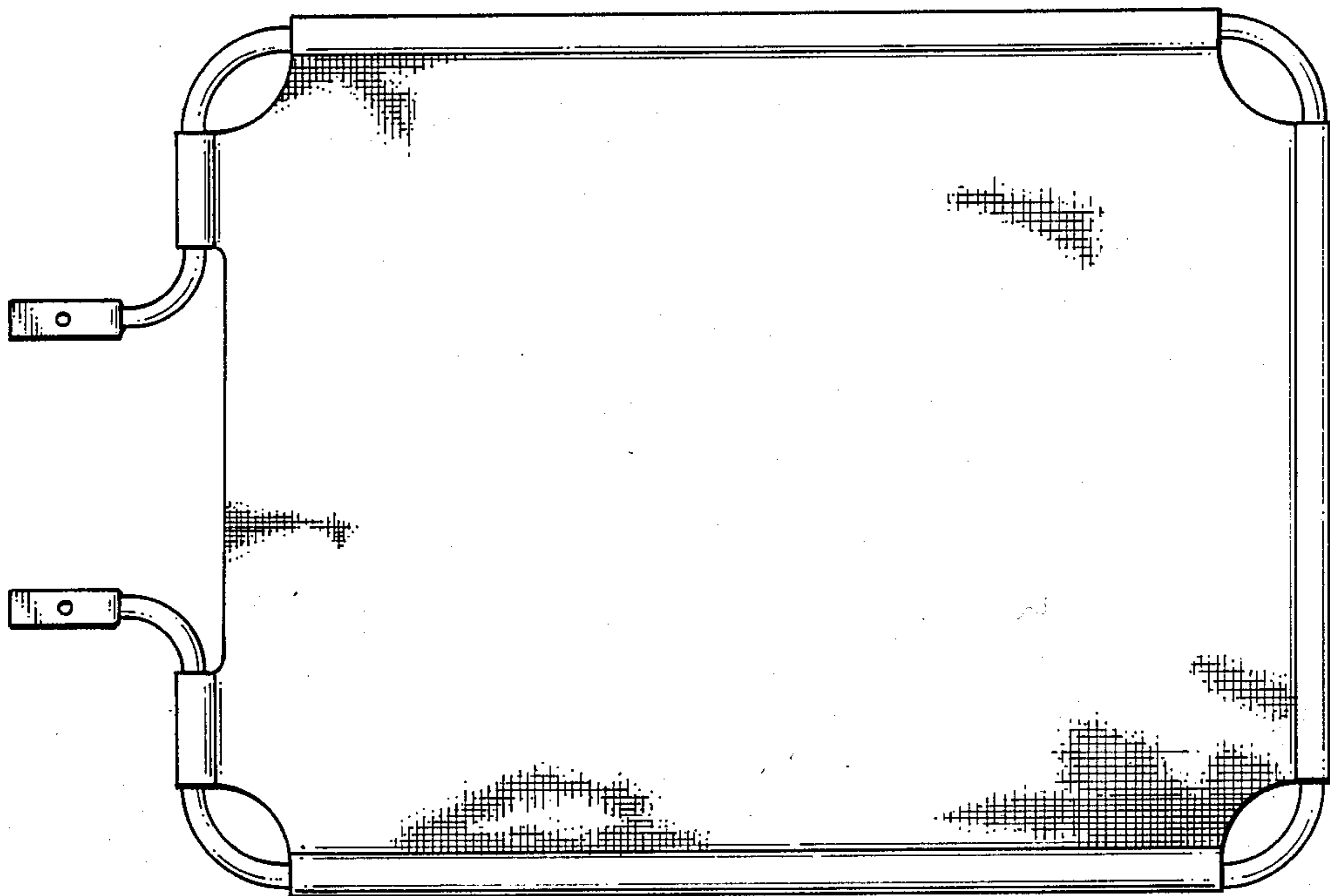


FIG. 12



FIG. 13

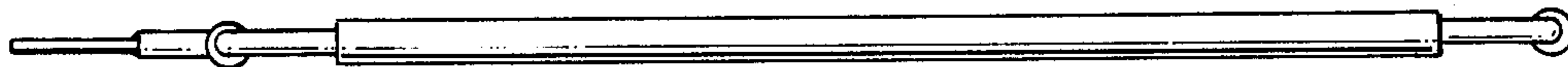


FIG. 14