

[54] **GOLF PUTTER HEAD**

[76] **Inventor:** William B. Shearer, 2905 W. Main St., Muncie, Ind. 47305

[**] **Term:** 14 Years

[21] **Appl. No.:** 9,901

[22] **Filed:** Feb. 2, 1987

[52] **U.S. Cl.** D21/219

[58] **Field of Search** D21/214-220;
273/164, 167-175, 77, 78

[56] **References Cited**

U.S. PATENT DOCUMENTS

D. 246,329 11/1977 Little D21/219
4,653,756 3/1987 Sato 273/169

OTHER PUBLICATIONS

Golf Digest, Dec., 1970, p. 90, center, Ring Rite Putter.

Primary Examiner—Melvin B. Feifer

Attorney, Agent, or Firm—James D. Haynes

[57] **CLAIM**

The ornamental design for a golf putter head, as shown.

DESCRIPTION

FIG. 1 is a rear elevation of a golf putter head showing my new design;

FIG. 2 is a front elevation thereof;

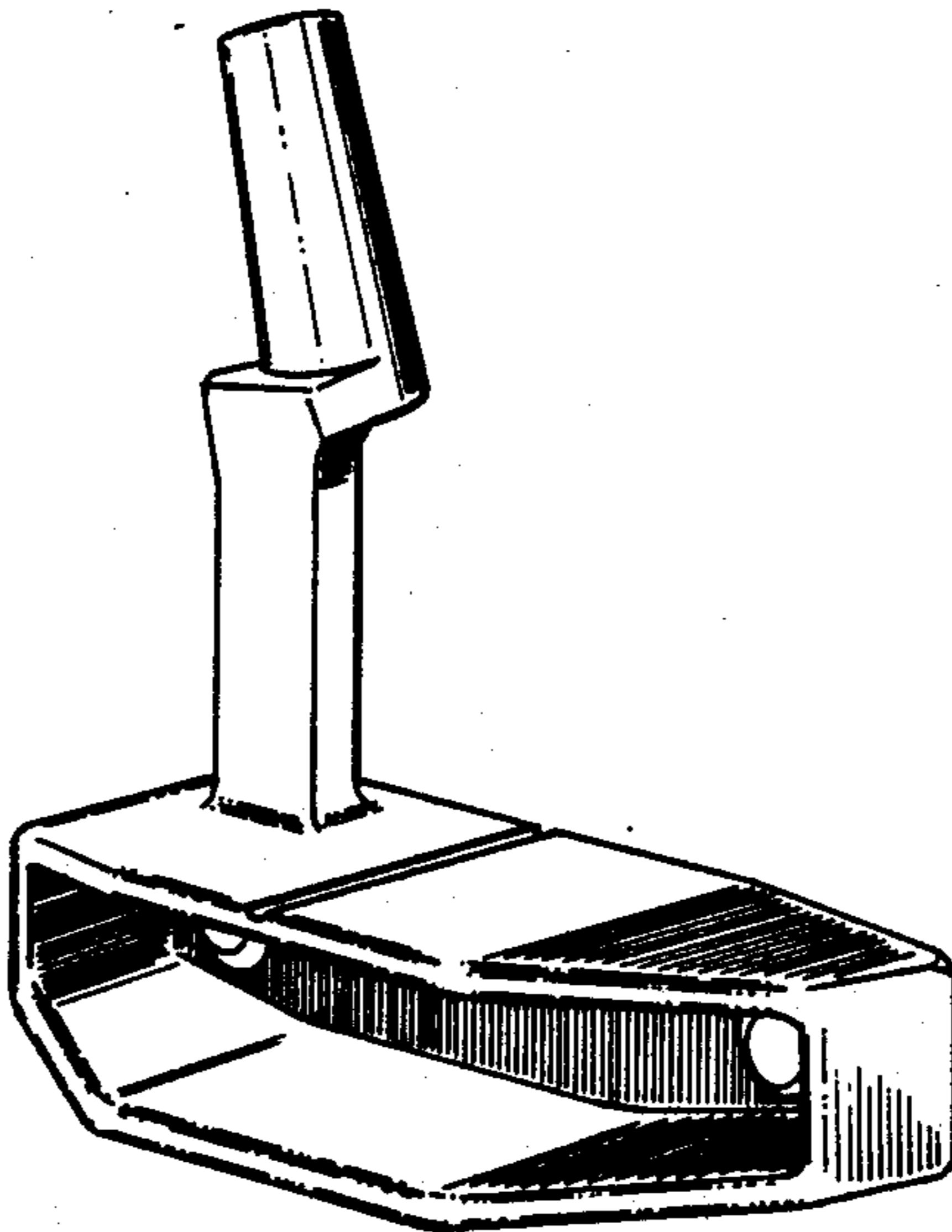
FIG. 3 is a top plan view thereof;

FIG. 4 is a bottom plan view thereof;

FIG. 5 is a left end view thereof;

FIG. 6 is a right end view of FIG. 2; and

FIG. 7 is a rear perspective view.



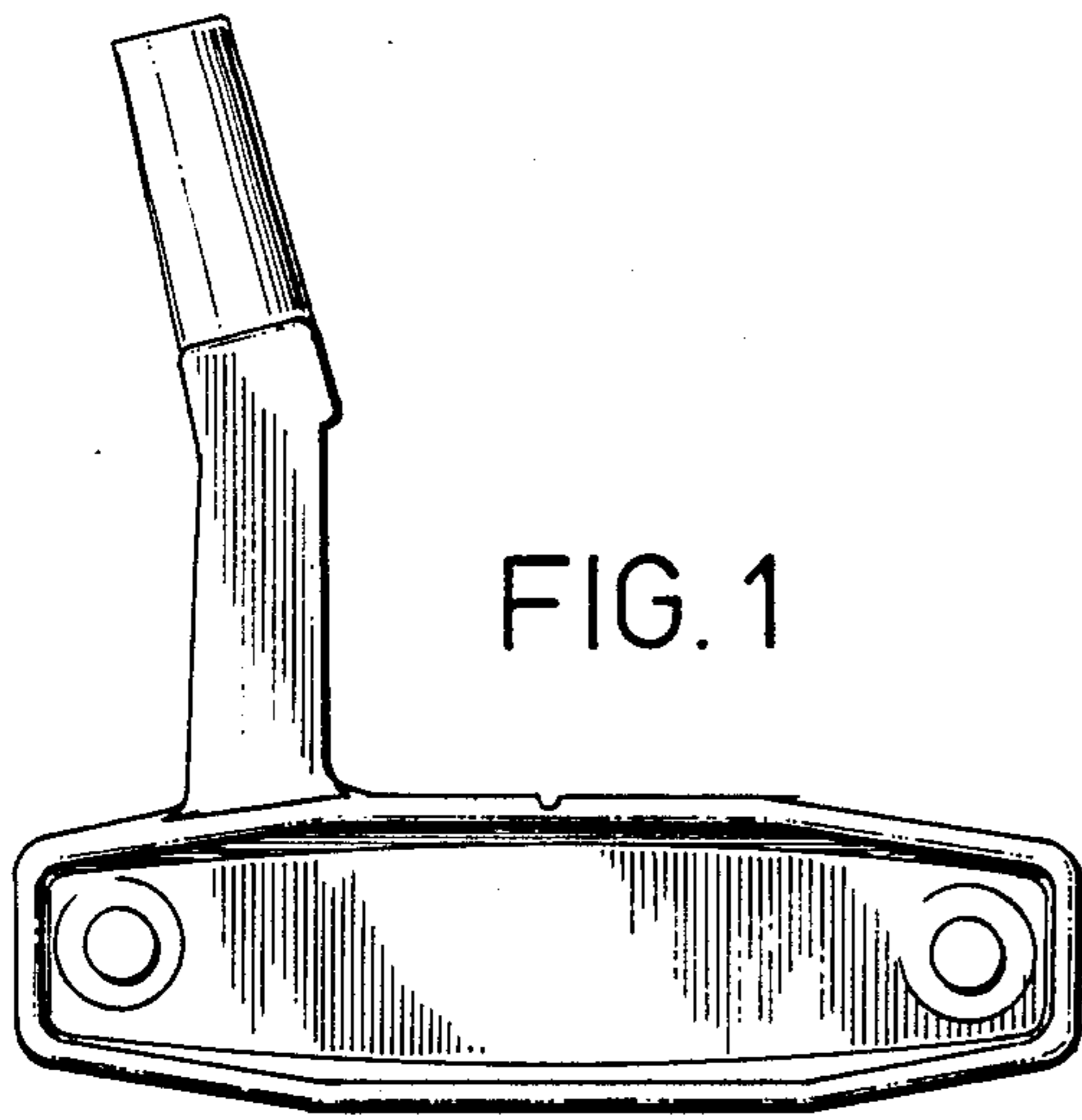


FIG. 1

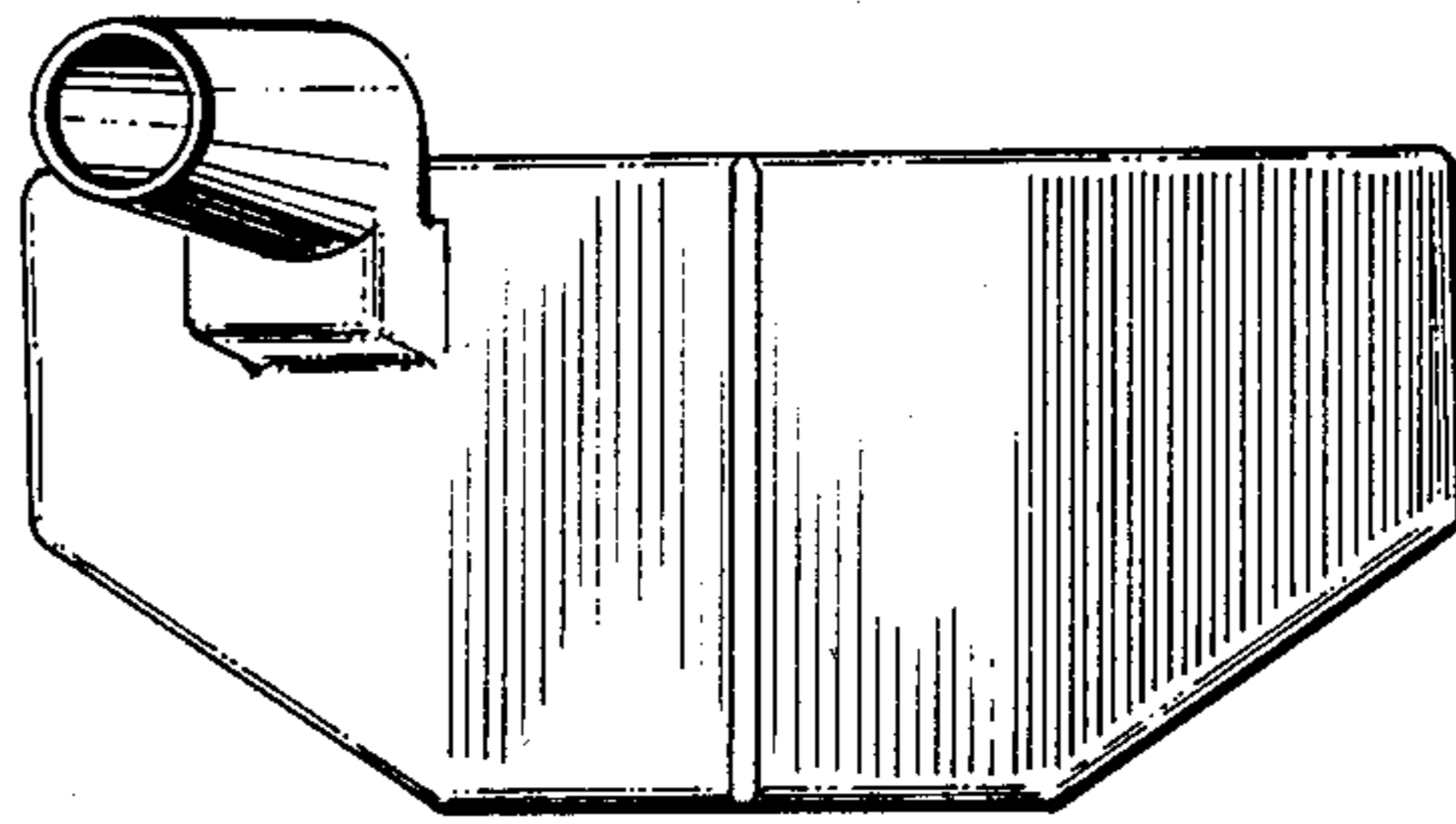


FIG. 3

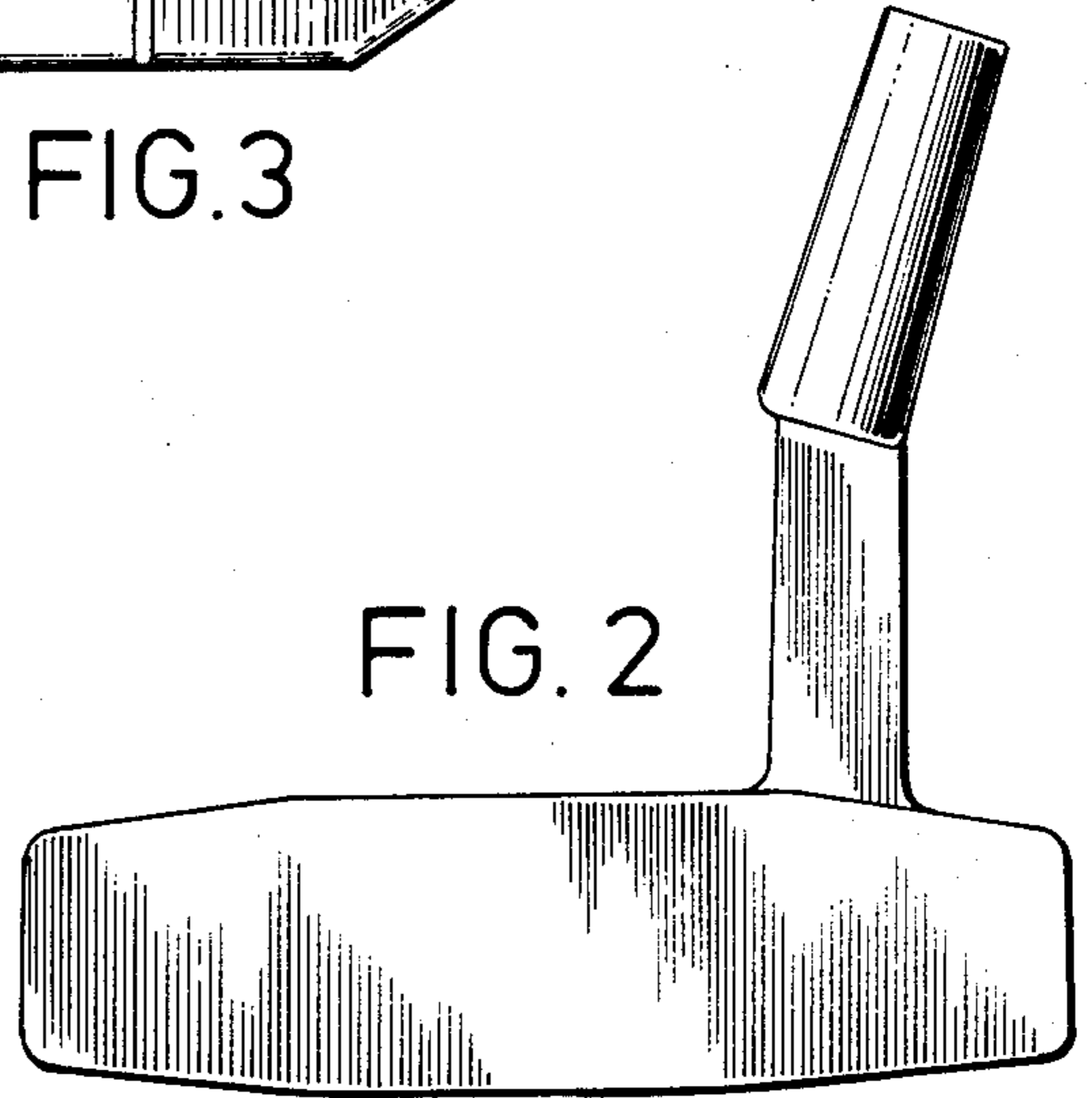


FIG. 2

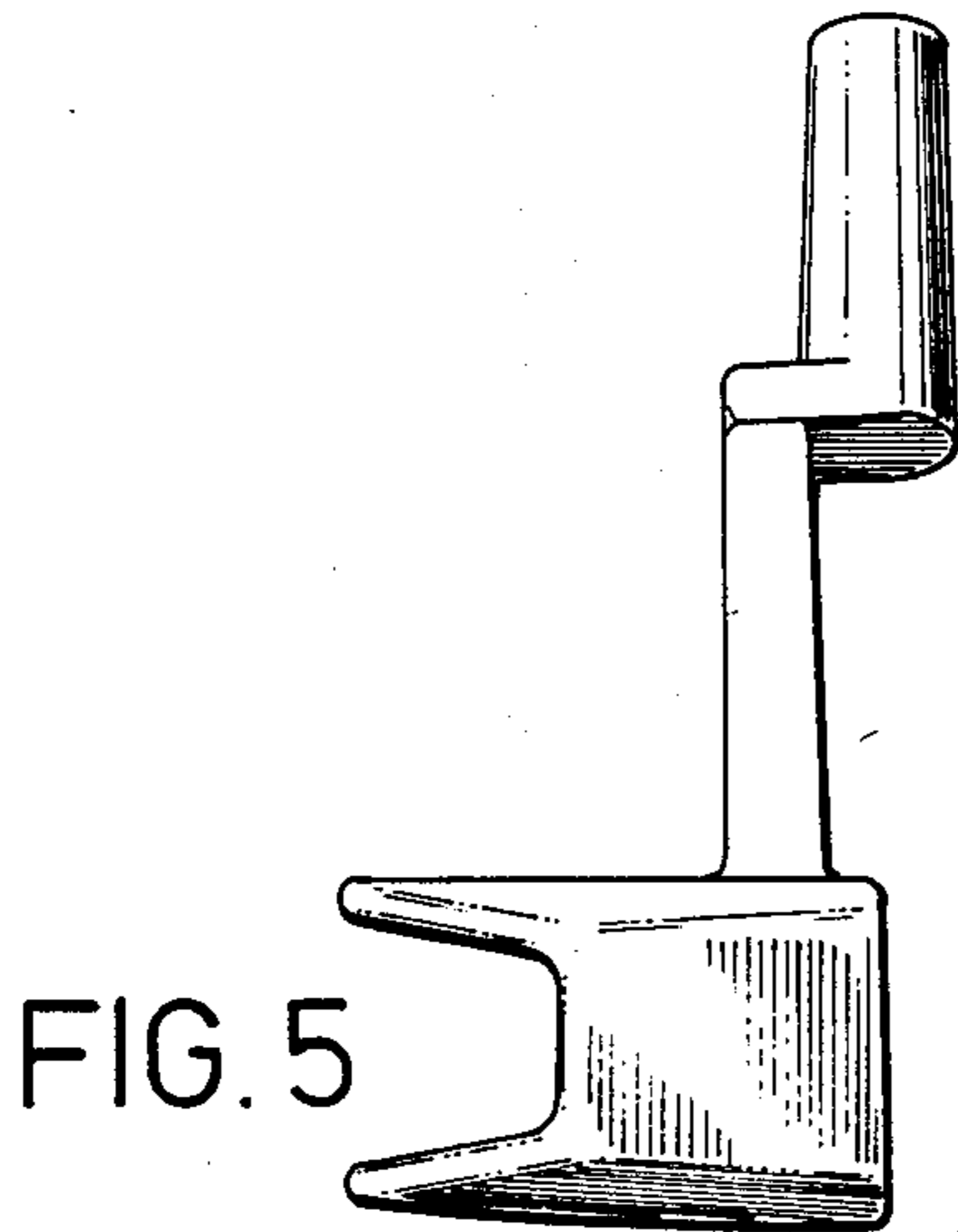


FIG. 5

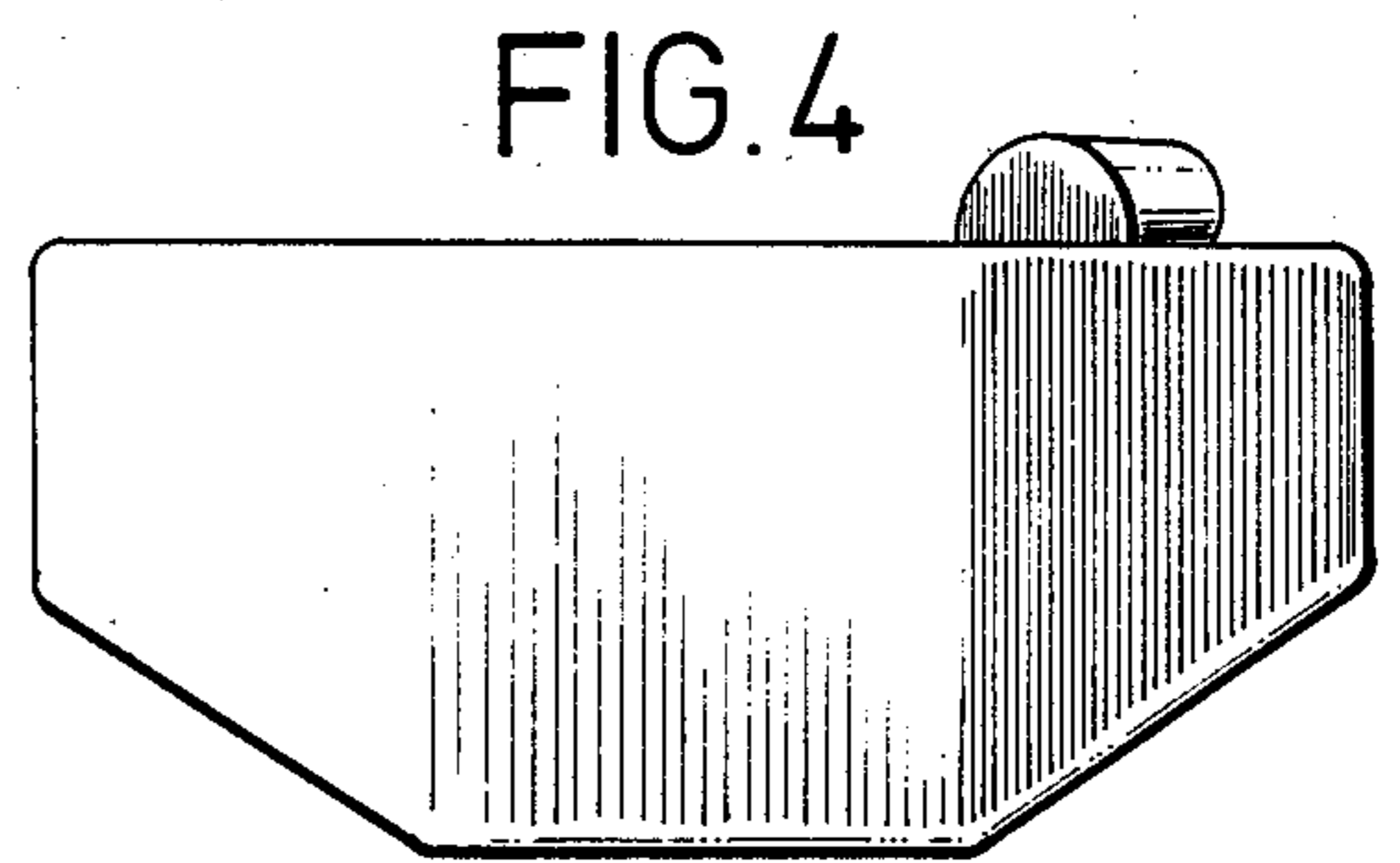


FIG. 4

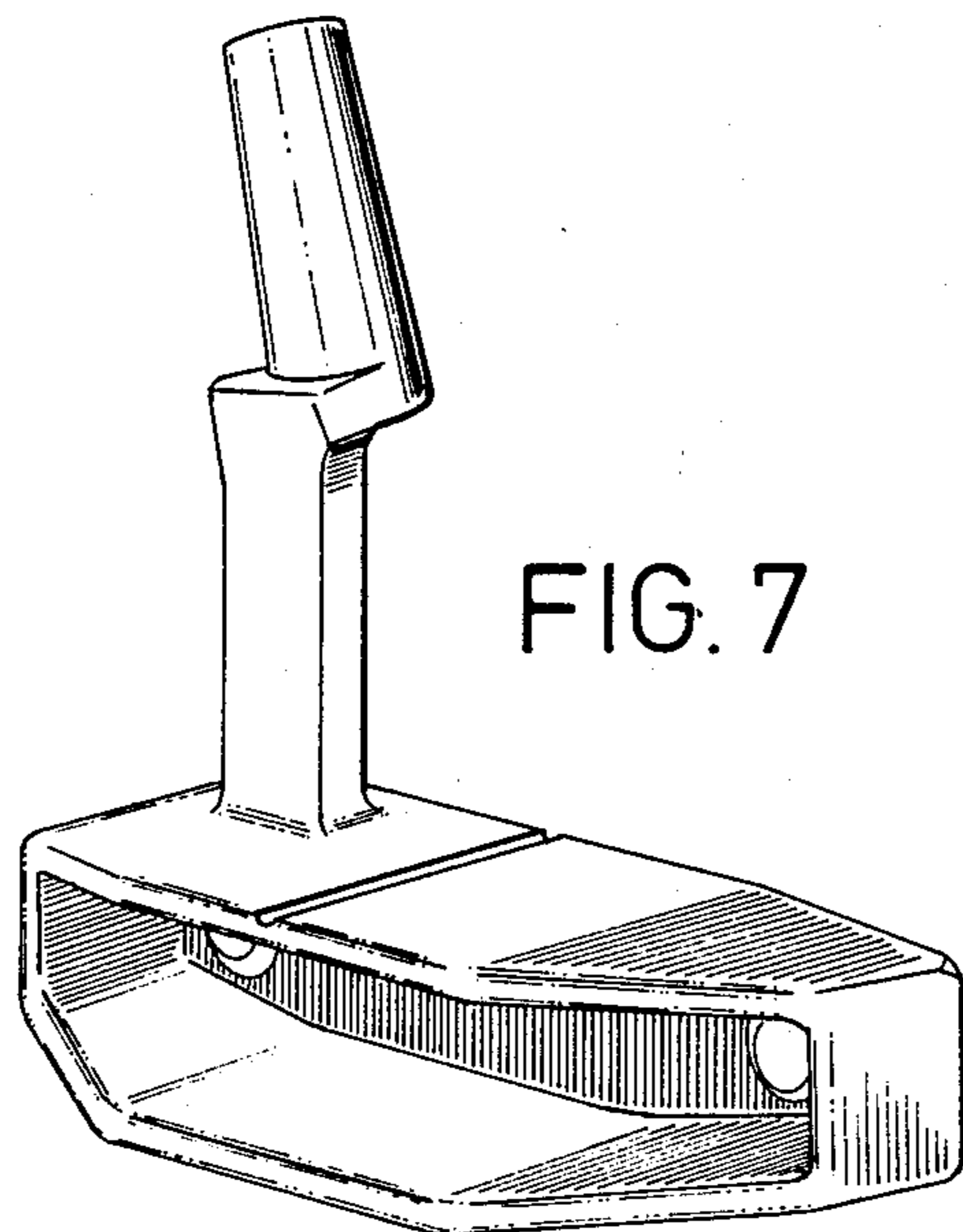


FIG. 7

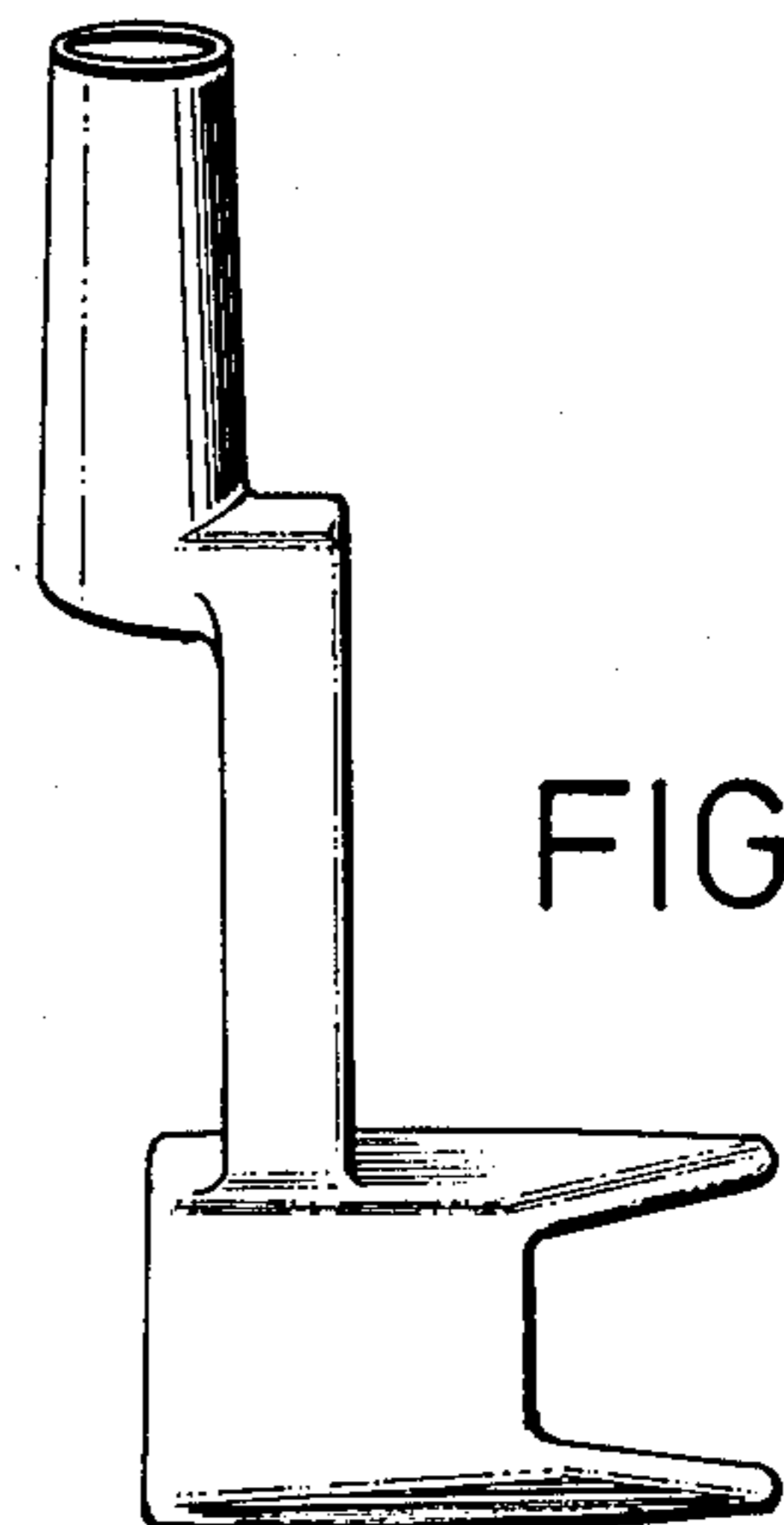


FIG. 6