

[54] RECONFIGURABLE TOY CASSETTE

[75] Inventor: Takayoshi Doi, Ichikawa, Japan

[73] Assignee: Takara Co., Ltd., Tokyo, Japan

[**] Term: 14 Years

[21] Appl. No.: 163,882

[22] Filed: Mar. 4, 1988

[30] Foreign Application Priority Data

Oct. 30, 1987 [JP] Japan 62-44718

[52] U.S. Cl. D21/150; D21/111; D21/160

[58] Field of Search D21/59, 150, 166, 111, D21/131, 112, 160; 446/71-77, 80, 97, 487, 491; D14/121

[56] References Cited

U.S. PATENT DOCUMENTS

- D. 245,627 8/1977 Kishi D14/121
- D. 248,469 7/1978 Takahashi D14/121
- D. 248,755 8/1978 Nagatomo D14/121
- D. 262,369 12/1981 Hatakeyama D14/121
- D. 283,335 4/1986 Matsuda .
- D. 283,336 4/1986 Matsuda .
- D. 285,464 9/1986 Koizumi D21/150
- D. 288,221 2/1987 Matsuda .
- D. 294,056 2/1988 Matsuda .
- D. 295,059 4/1988 Matsuda .

- D. 295,542 5/1988 Matsuda .
- D. 296,916 7/1988 Matsuda D21/150
- D. 301,353 5/1989 Matsuda D21/150
- D. 301,354 5/1989 Matsuda D21/150

Primary Examiner—Charles A. Rademaker
Attorney, Agent, or Firm—Price, Gess & Ubell

[57] CLAIM

The ornamental design for a reconfigurable toy cassette, as shown and described.

DESCRIPTION

FIG. 1 is a front perspective view of a reconfigurable toy cassette, showing my new design;
 FIG. 2 is a front elevational view thereof;
 FIG. 3 is a right side elevational view thereof, the side opposite being a mirror image;
 FIG. 4 is a rear elevational view thereof;
 FIG. 5 is a top plan view thereof;
 FIG. 6 is a bottom plan view thereof;
 FIG. 7 is a front perspective view of the design shown in FIGS. 1 through 6 reconfigured in a toy bird configuration;
 FIG. 8 is a front elevational view thereof;
 FIG. 9 is a right side elevational view thereof, the side opposite being a mirror image;
 FIG. 10 is a rear elevational view thereof;
 FIG. 11 is a top plan view thereof; and
 FIG. 12 is a bottom plan view thereof.

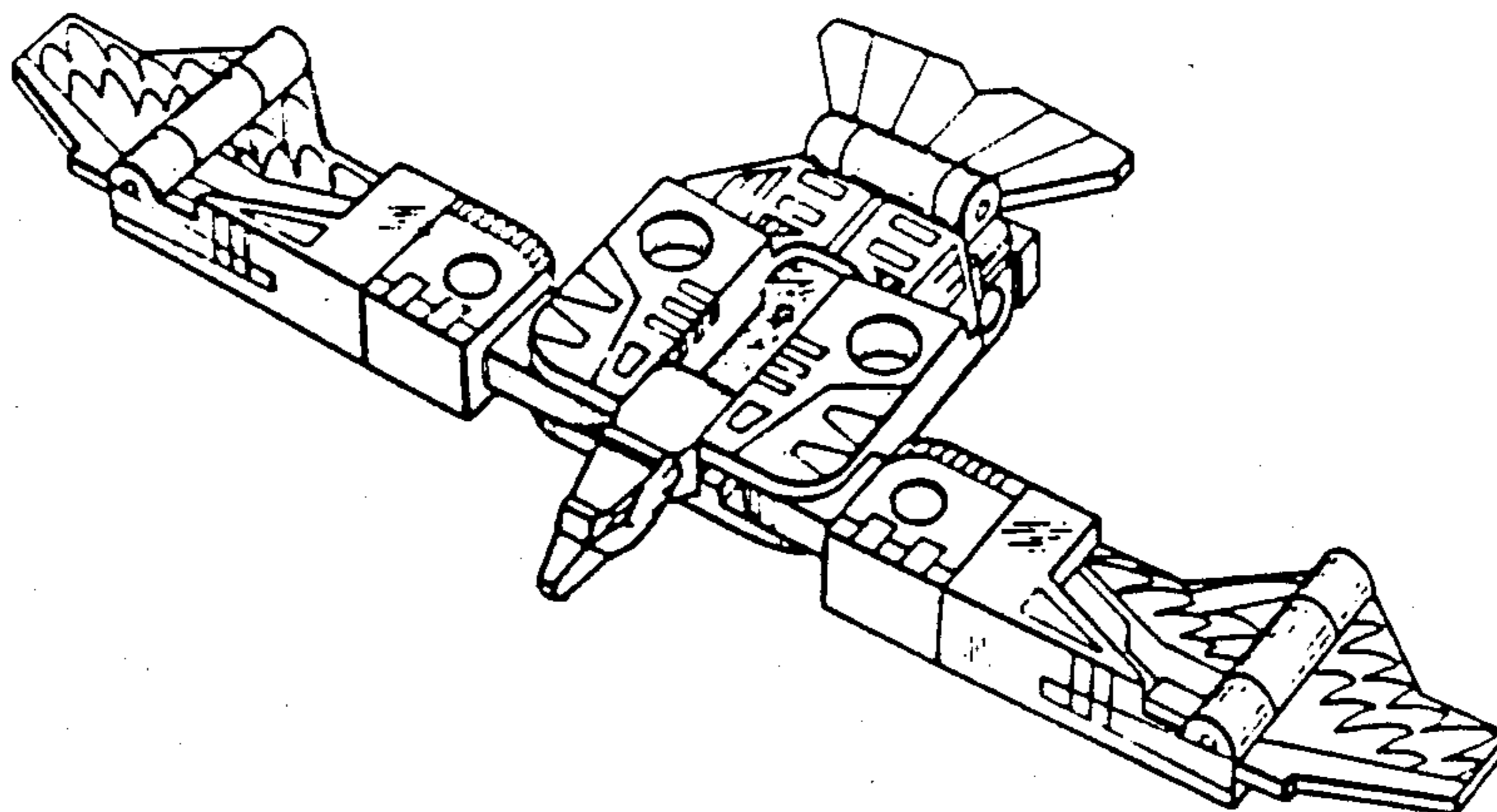
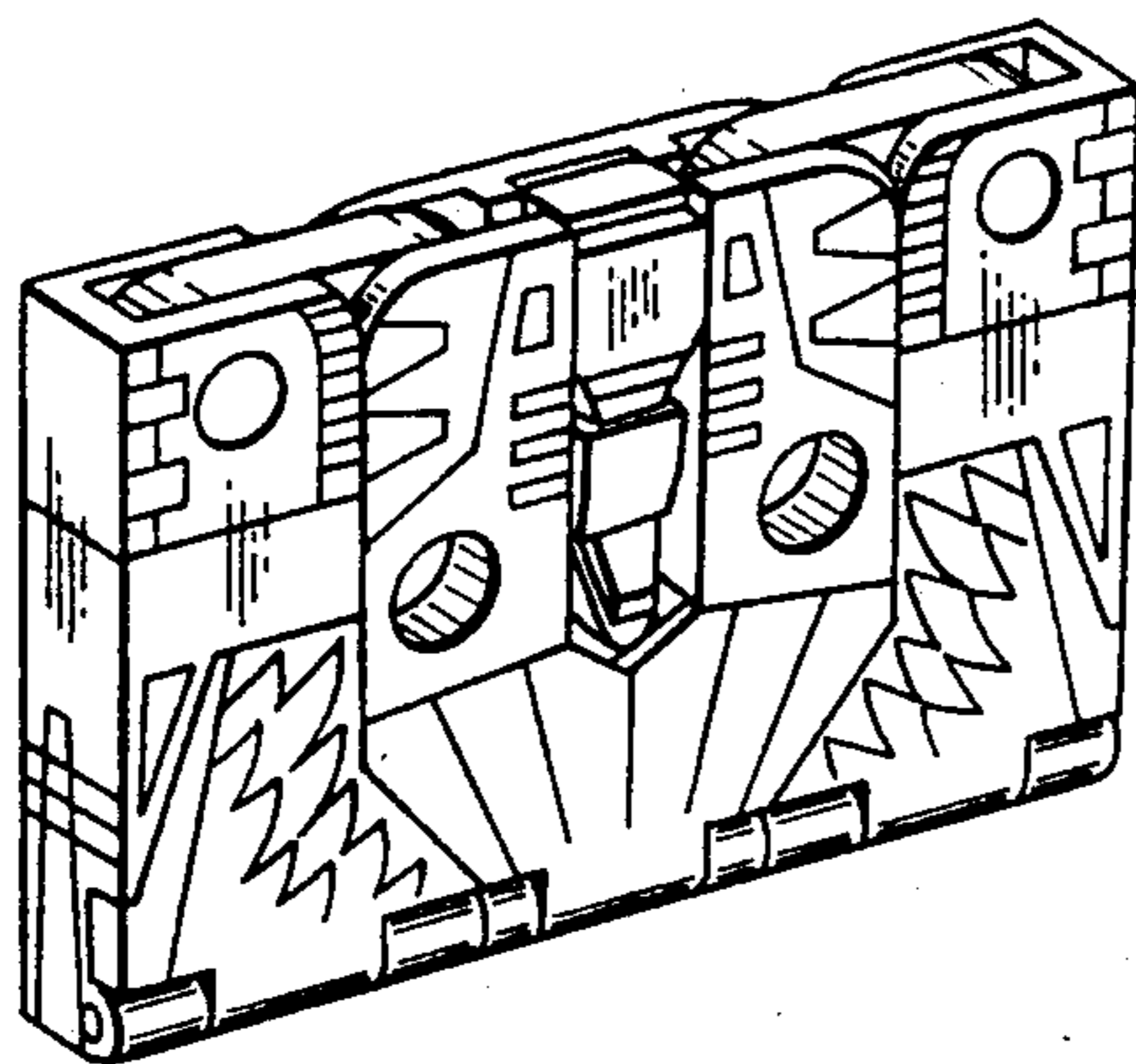


FIG. 1

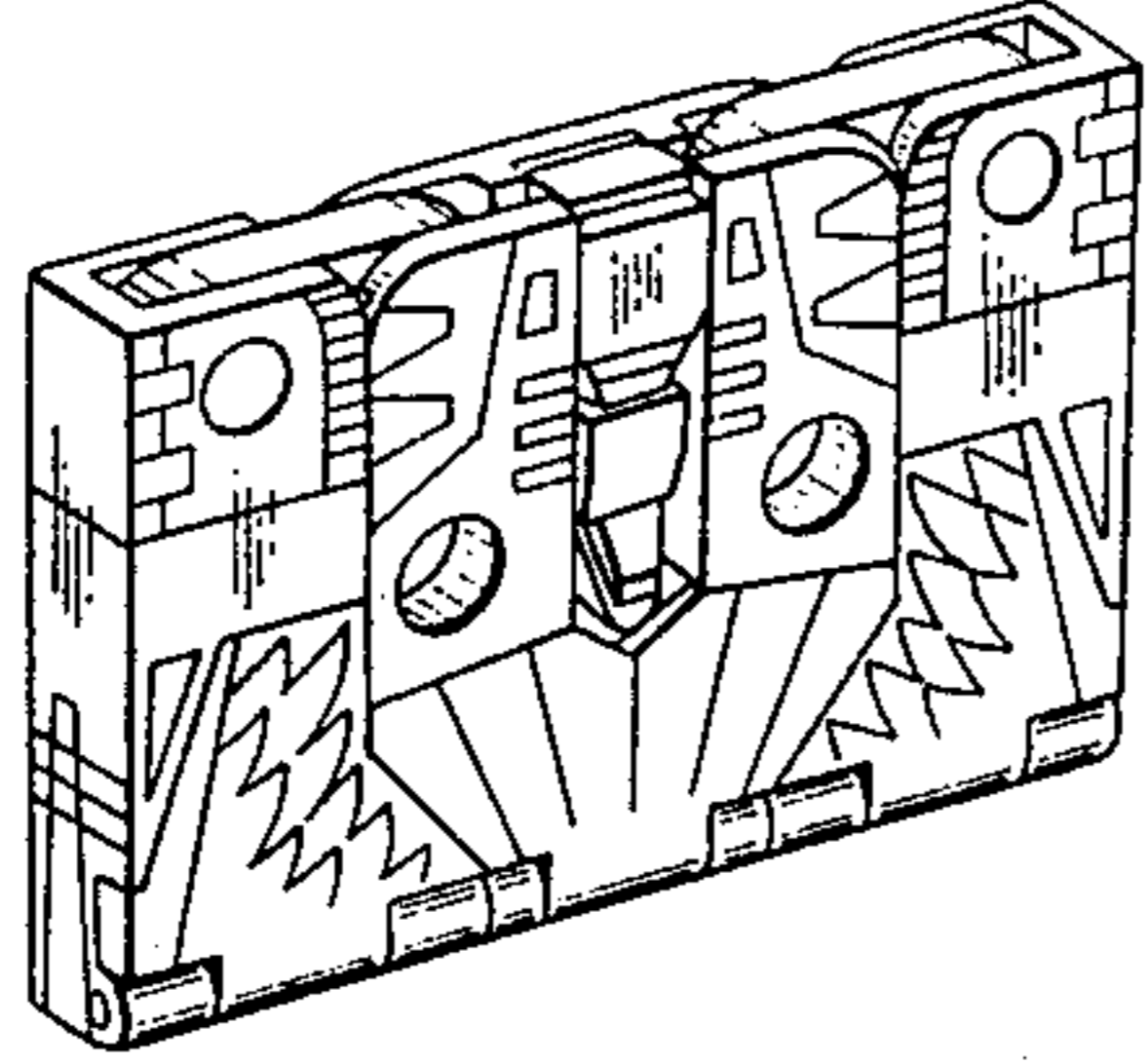


FIG. 2

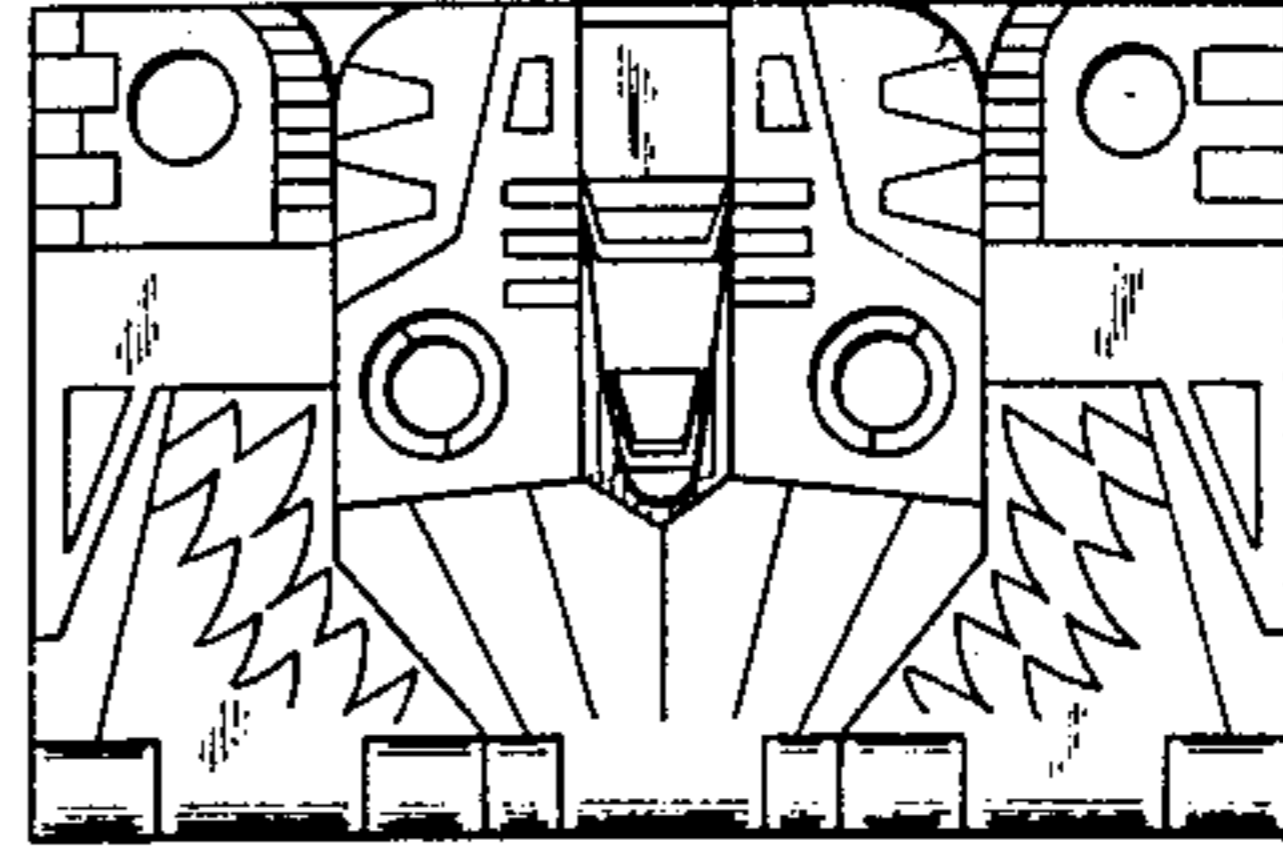


FIG. 3



FIG. 4

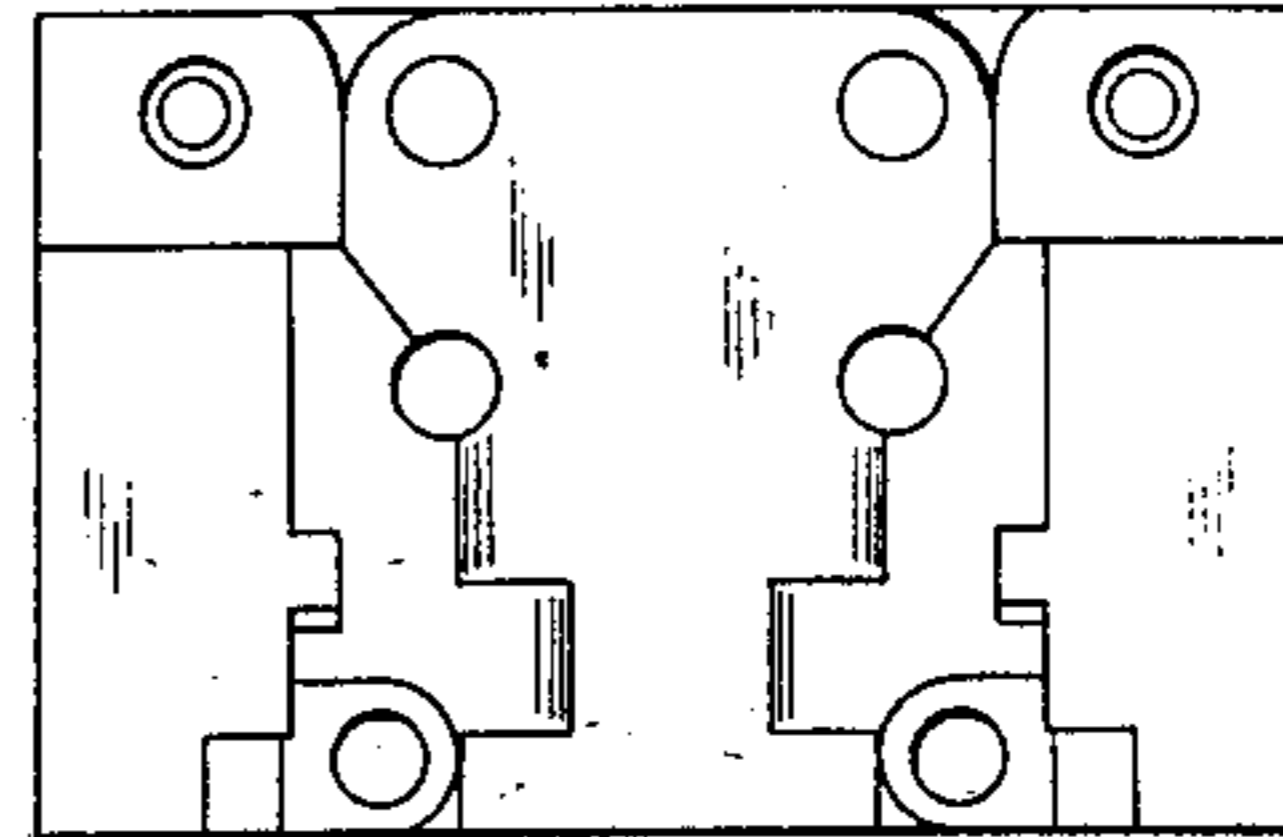


FIG. 5



FIG. 6

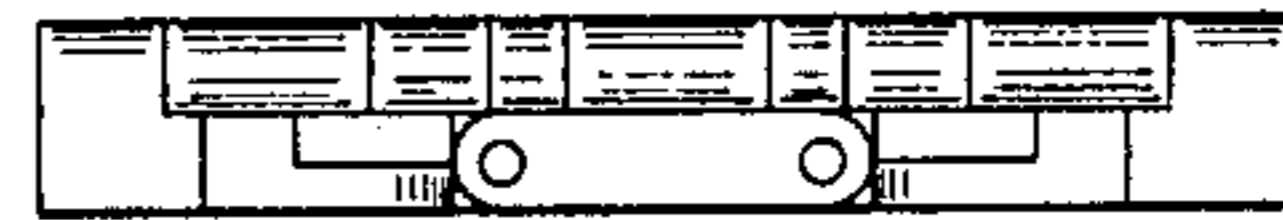


FIG. 7

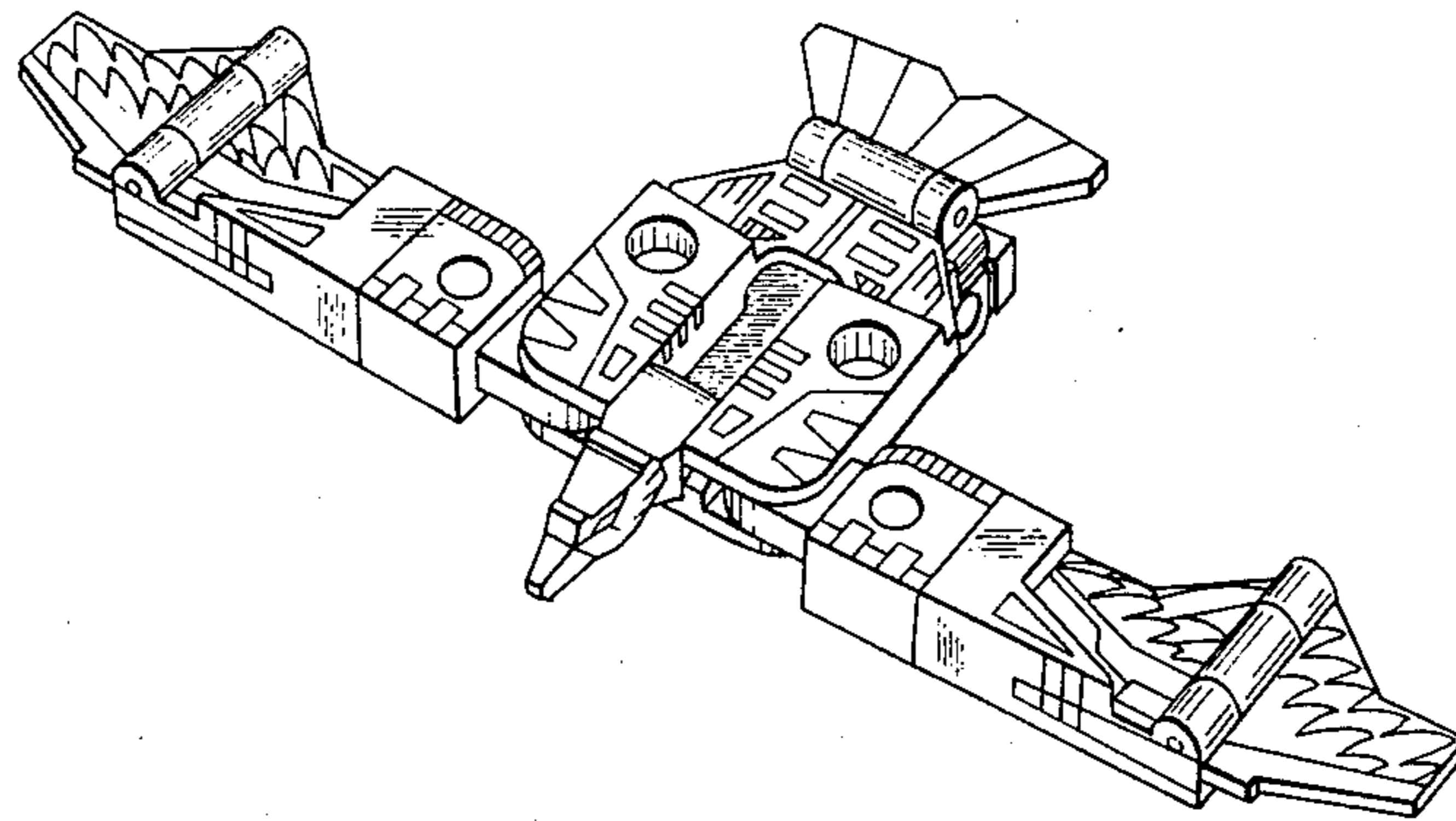


FIG. 8

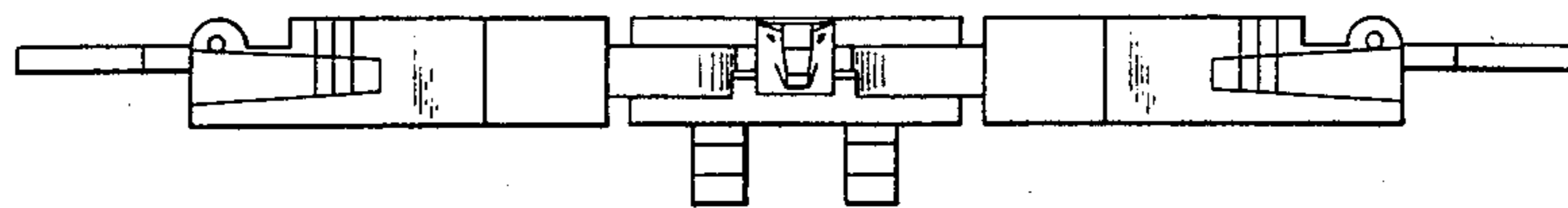


FIG. 9

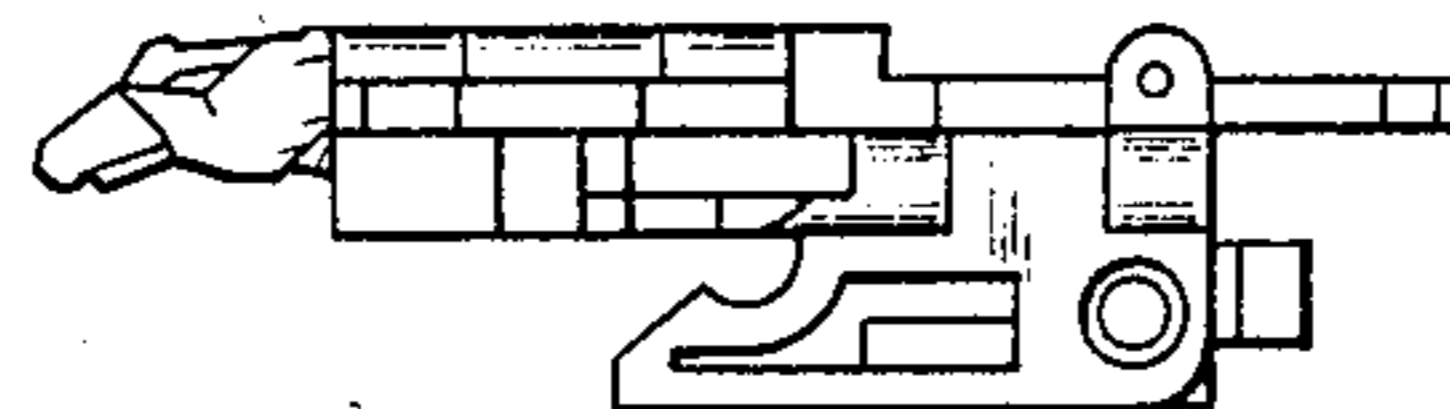


FIG. 10

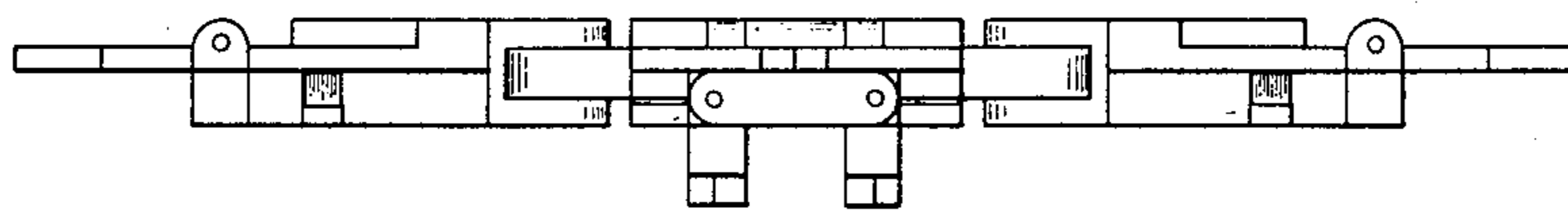


FIG. 11

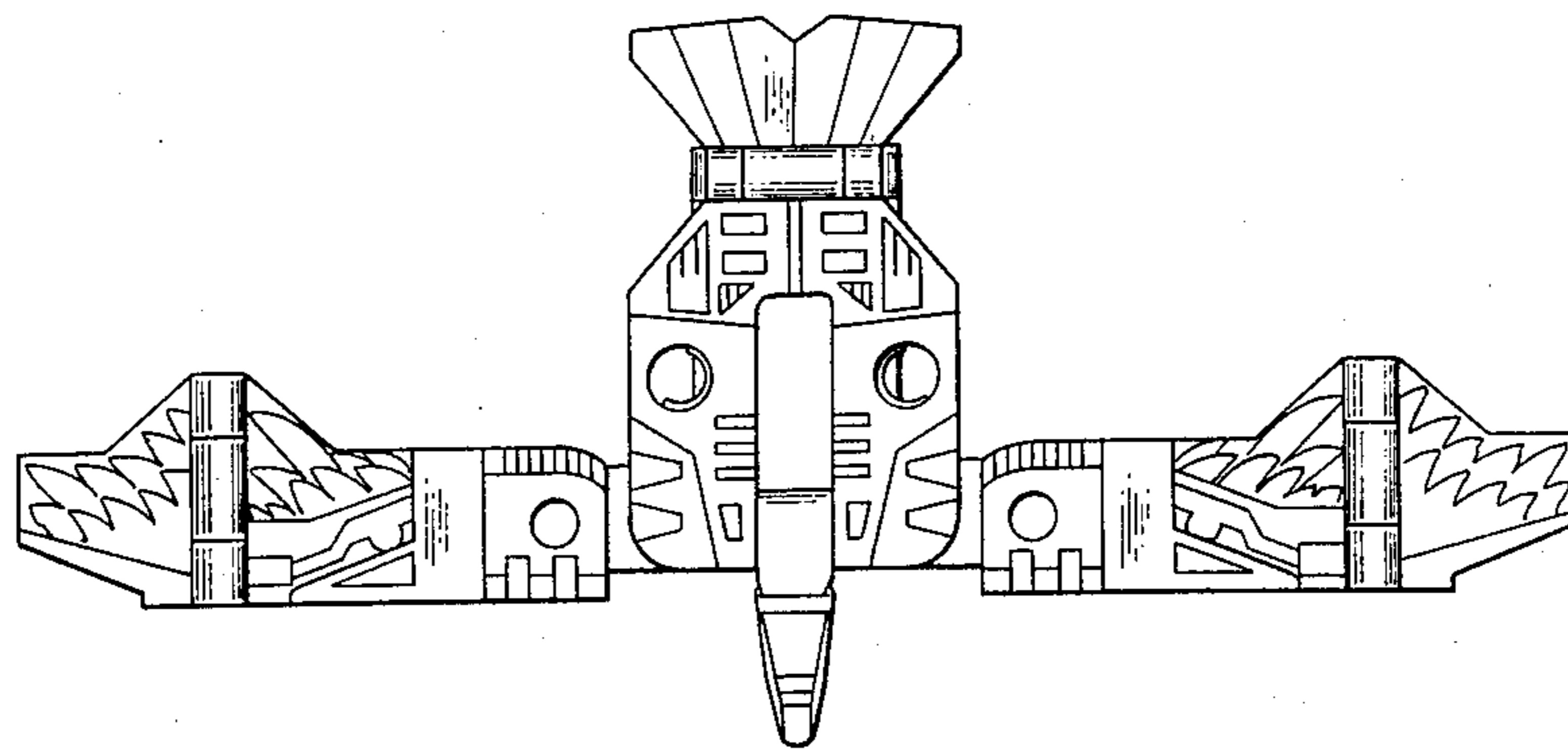


FIG. 12

