

[54] TOY JET-PLANE

[75] Inventor: Kouzin Ohno, Chiba, Japan

[73] Assignee: Takara Co., Ltd., Tokyo, Japan

[**] Term: 14 Years

[21] Appl. No.: 190,225

[22] Filed: May 4, 1988

[30] Foreign Application Priority Data

Jan. 13, 1988 [JP] Japan 63-1016

[52] U.S. Cl. D21/87; D12/342

[58] Field of Search D21/87, 89, 150;
D12/319, 332, 333, 334, 338, 342; 244/45 A,
15; 446/94, 95, 71-78

[56] References Cited

U.S. PATENT DOCUMENTS

- D. 256,905 9/1980 McComas et al. D12/342
- D. 285,062 8/1986 Sandusky et al. D12/342
- D. 287,037 12/1986 Matsushiro D21/87

- D. 289,426 4/1987 Lim D21/87
- D. 291,554 8/1987 Enau et al. D12/342
- D. 293,804 1/1988 Doi D21/87
- D. 294,046 2/1988 Doi D21/87
- D. 294,048 2/1988 Matsumoto D21/87
- D. 302,033 7/1989 Shibukawa D21/87

Primary Examiner—Charles A. Rademaker
Attorney, Agent, or Firm—Price, Gess & Ubell

[57] CLAIM

The ornamental design for a toy jet-plane, as shown and described.

DESCRIPTION

- FIG. 1 is a front perspective view of a toy jet-plane, showing my new design;
- FIG. 2 is a front elevational view thereof;
- FIG. 3 is a right side elevational view thereof, the side opposite being a mirror image;
- FIG. 4 is a rear elevational view thereof;
- FIG. 5 is a top plan view thereof;
- FIG. 6 is a bottom plan view thereof.

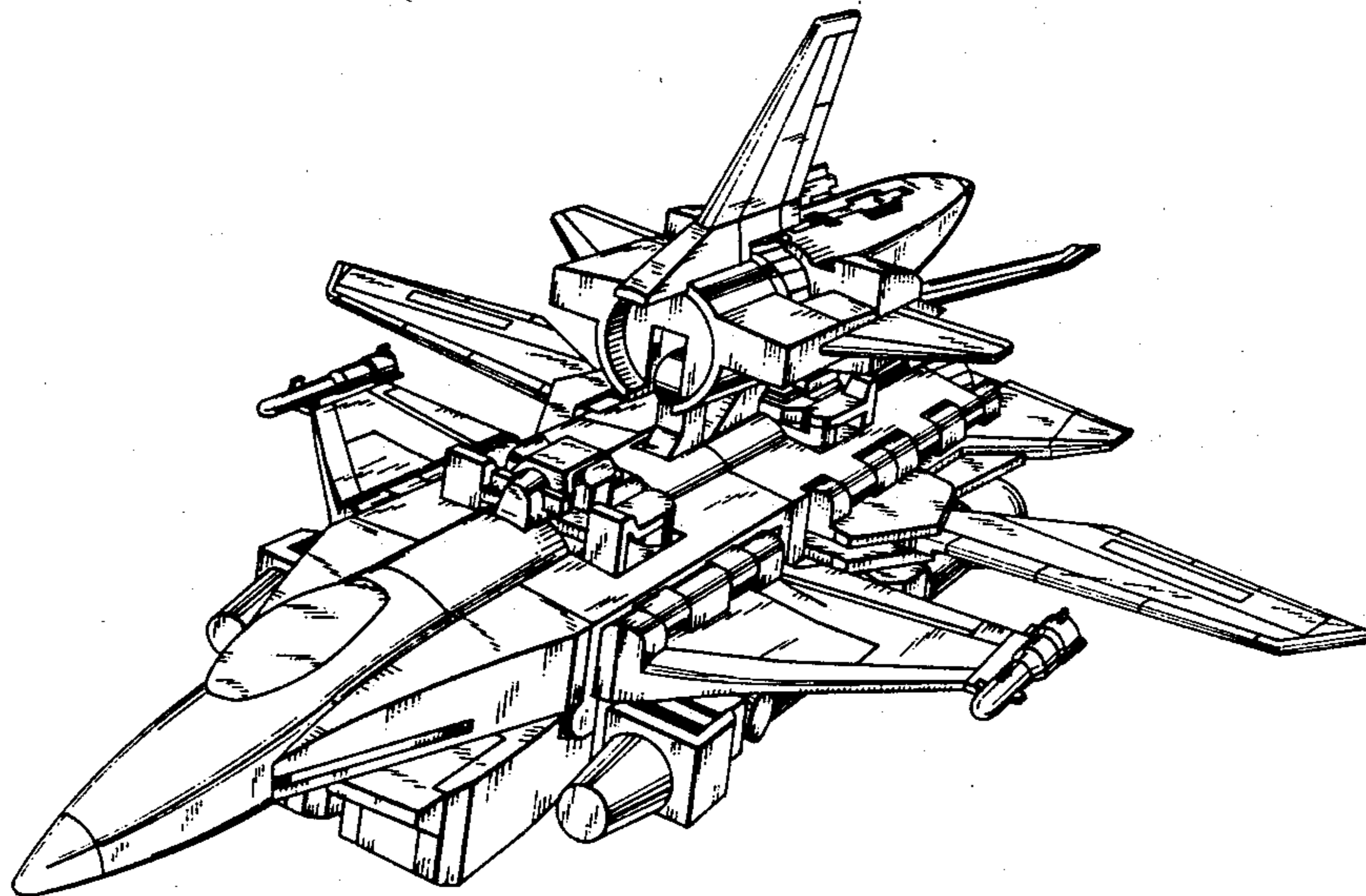


FIG. 1

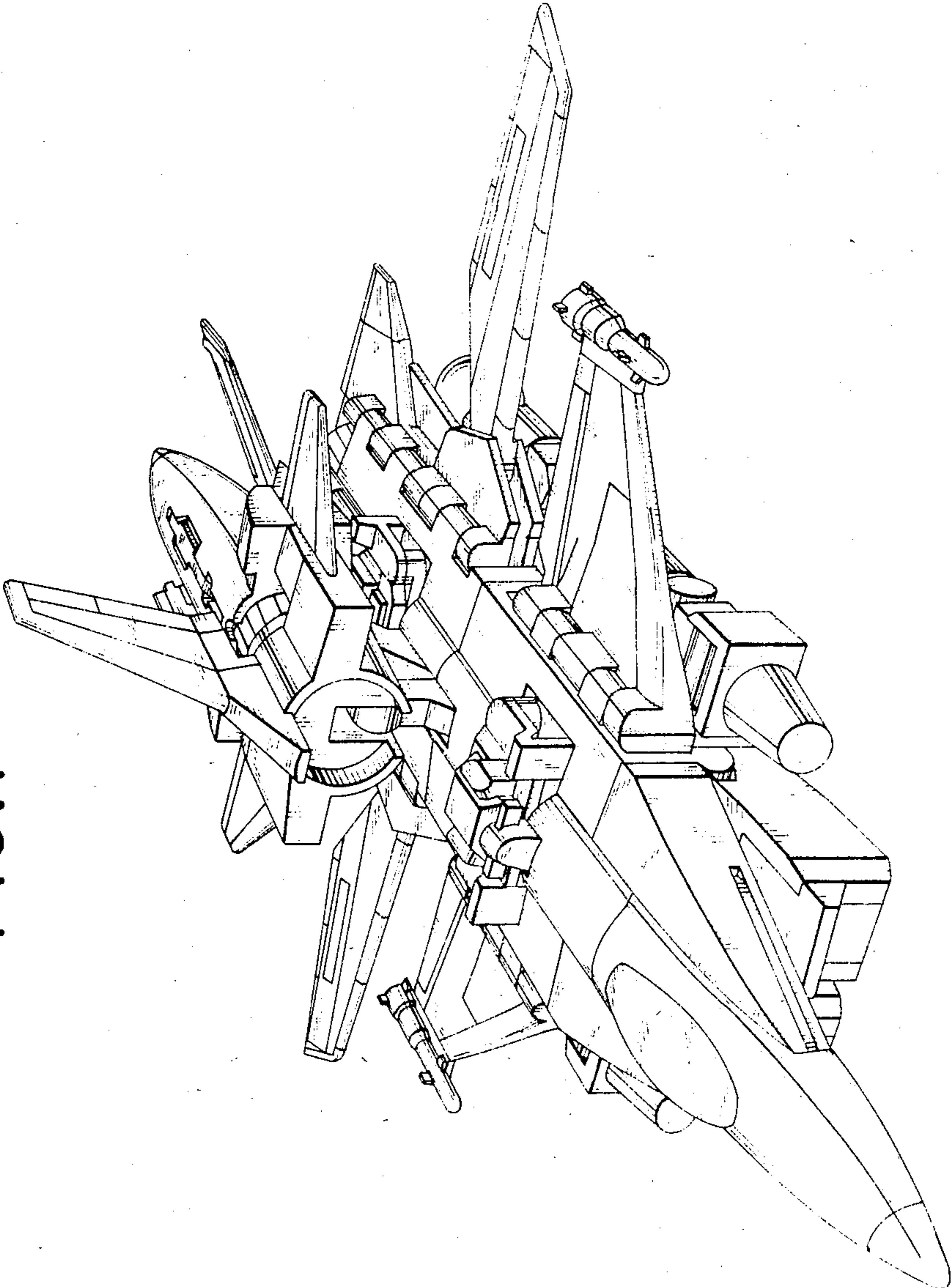


FIG. 2

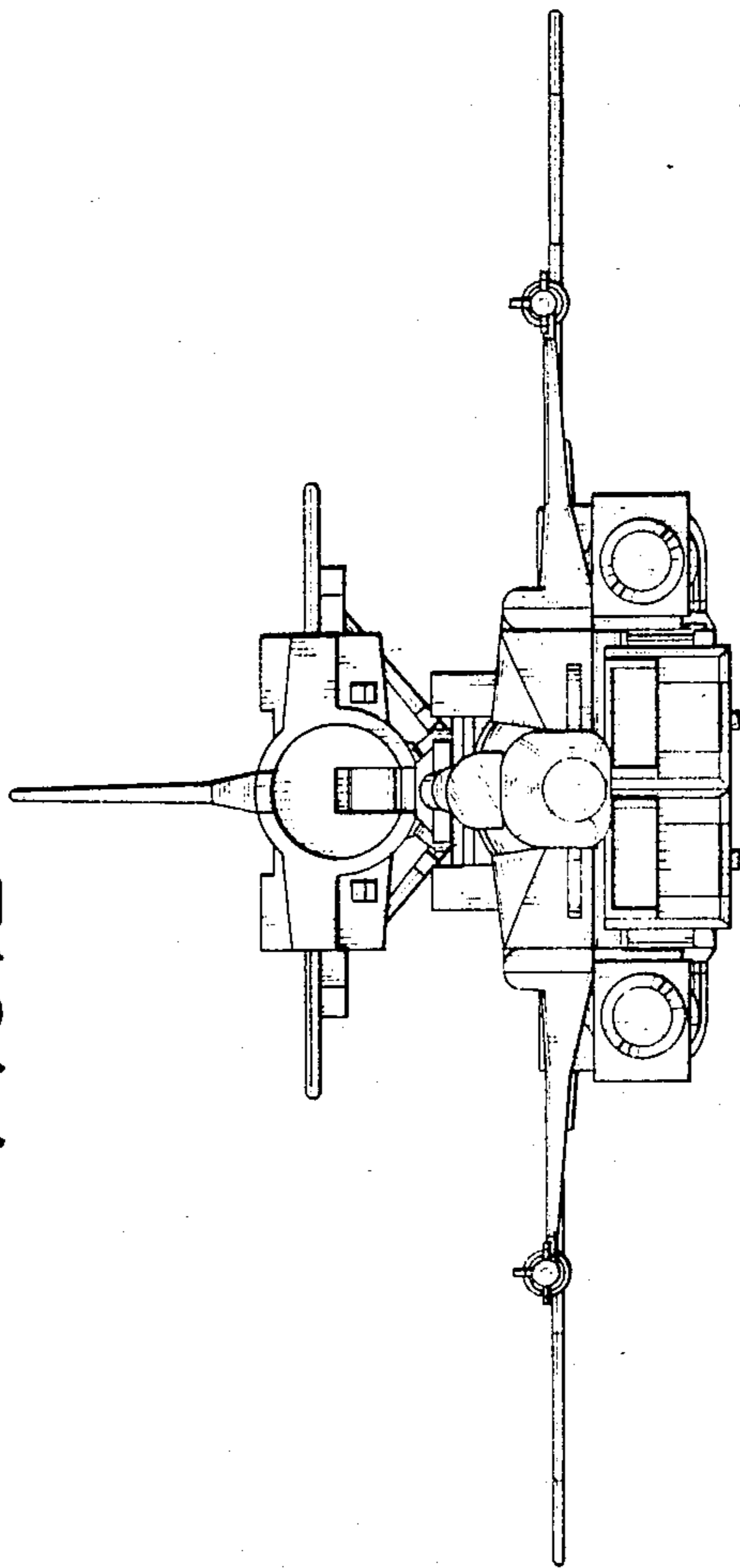


FIG. 3

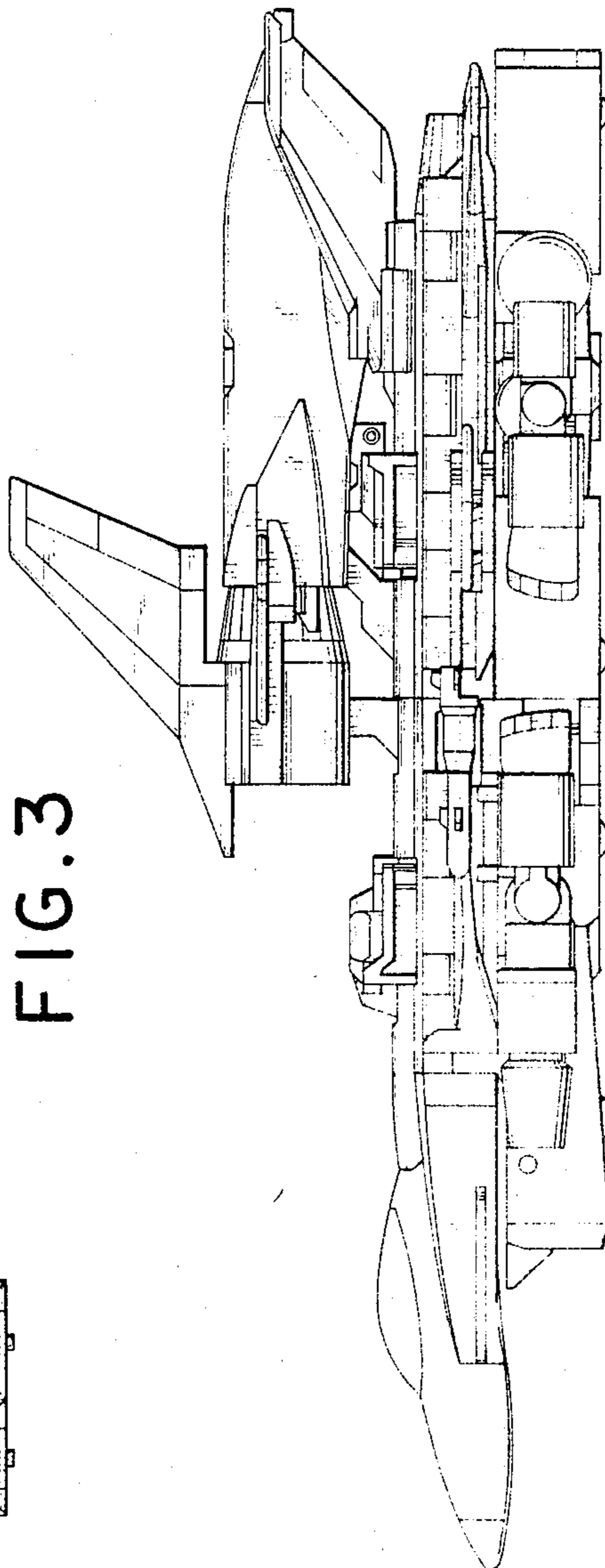


FIG. 4

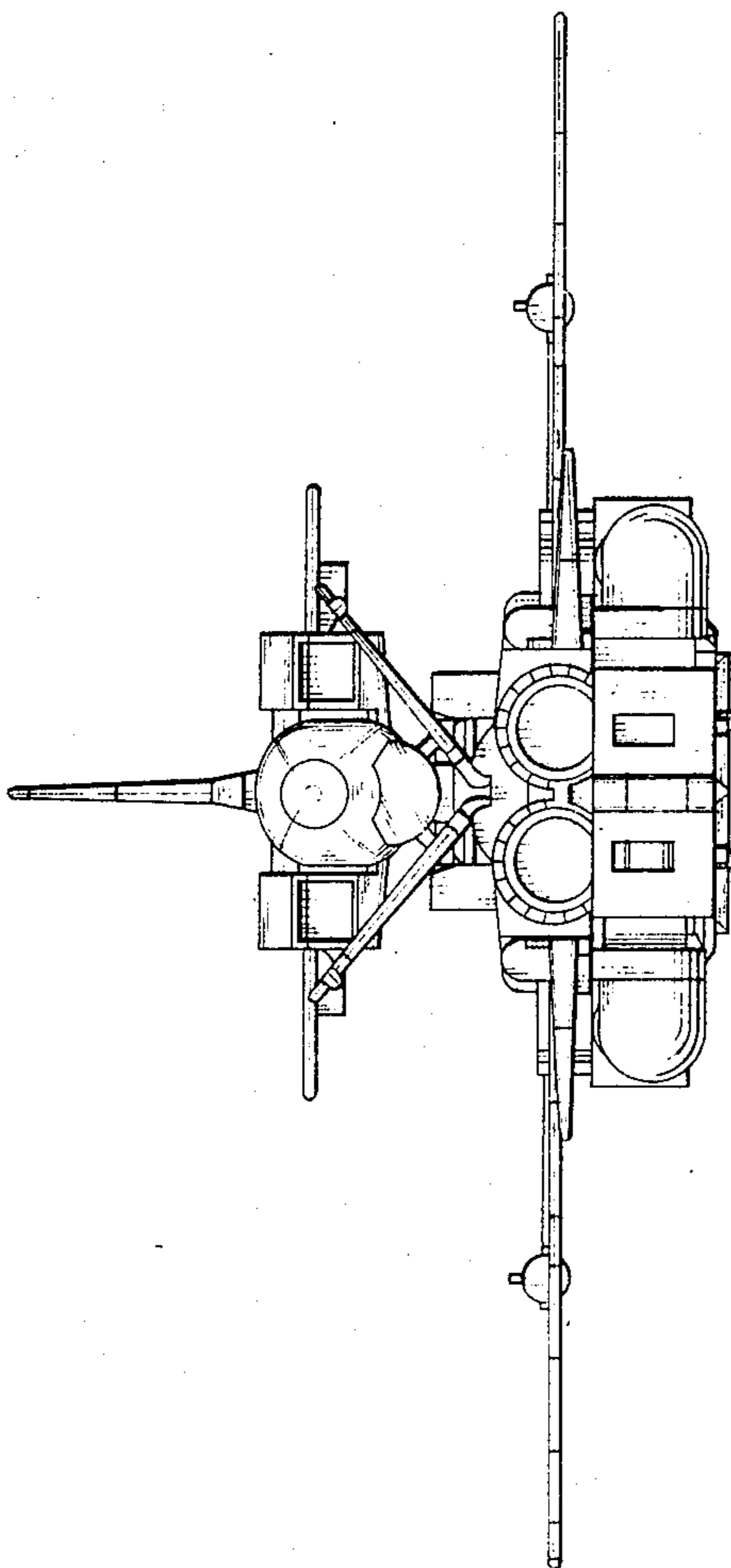


FIG. 5

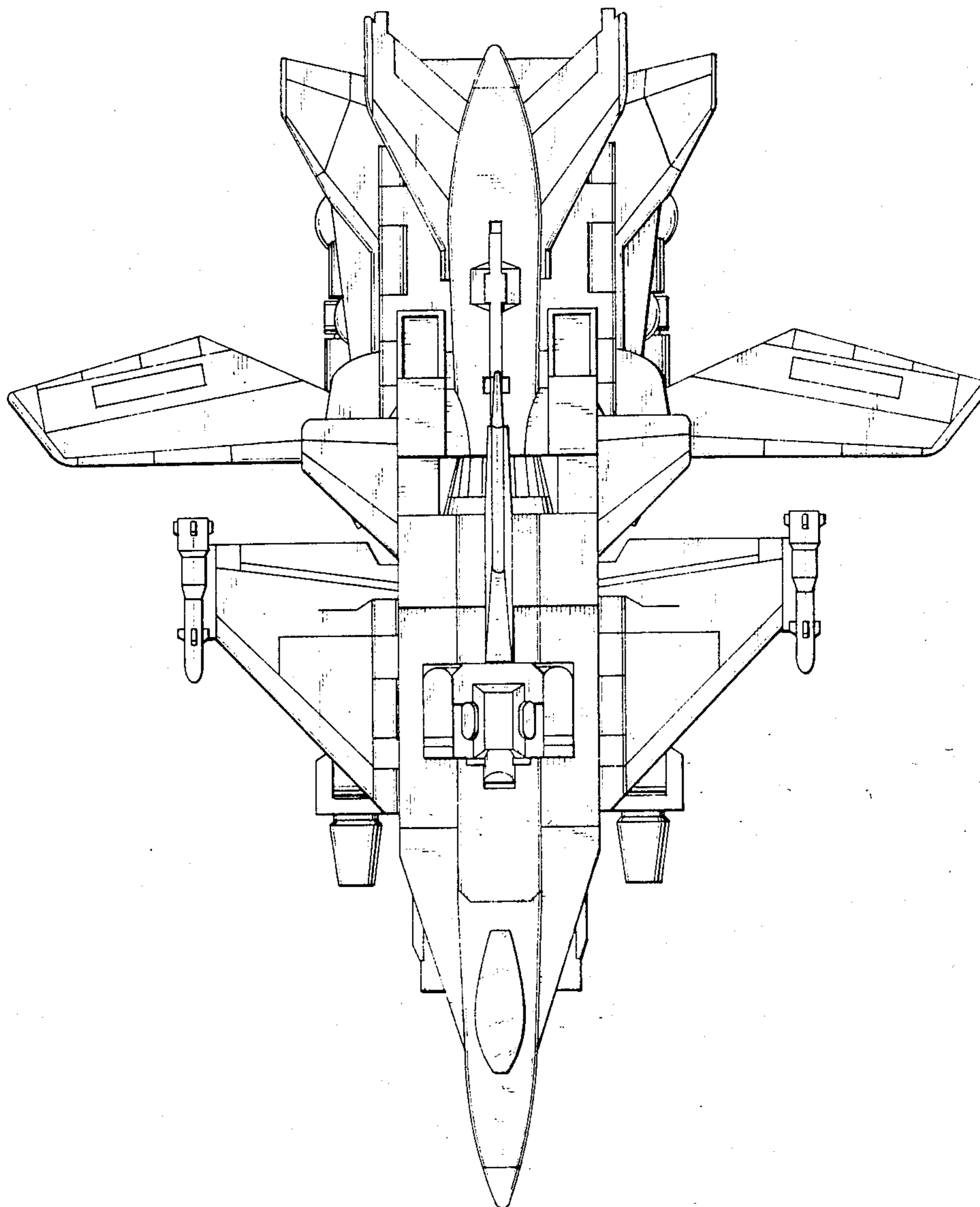


FIG. 6

