

[54] JOYSTICK

[75] Inventor: Charles L. Hayes, Carlsbad, Calif.

[73] Assignee: CH Products, San Marcos, Calif.

[\*\*] Term: 14 Years

[21] Appl. No.: 103,251

[22] Filed: Sep. 30, 1987

[52] U.S. Cl. .... D21/48; D14/114

[58] Field of Search ..... D7/139; D8/2, 7, 8, D8/11, 12, 303, 307; D10/46.1; D13/11, 12, 32, 37, 38; D14/114, 7; D18/59, 60; D21/13, 48, 87; 273/1 E, DIG. 28, 148 B, 237

[56] References Cited

U.S. PATENT DOCUMENTS

- D. 271,220 11/1983 Fox et al. .... D21/13
- D. 284,593 7/1986 Happ ..... D13/32
- D. 284,983 8/1986 Liu ..... D21/48
- 4,491,325 1/1985 Bersheim ..... 273/DIG. 28

OTHER PUBLICATIONS

Playthings; Jun., 1983; p. 41, "Triga Command", Joystick.

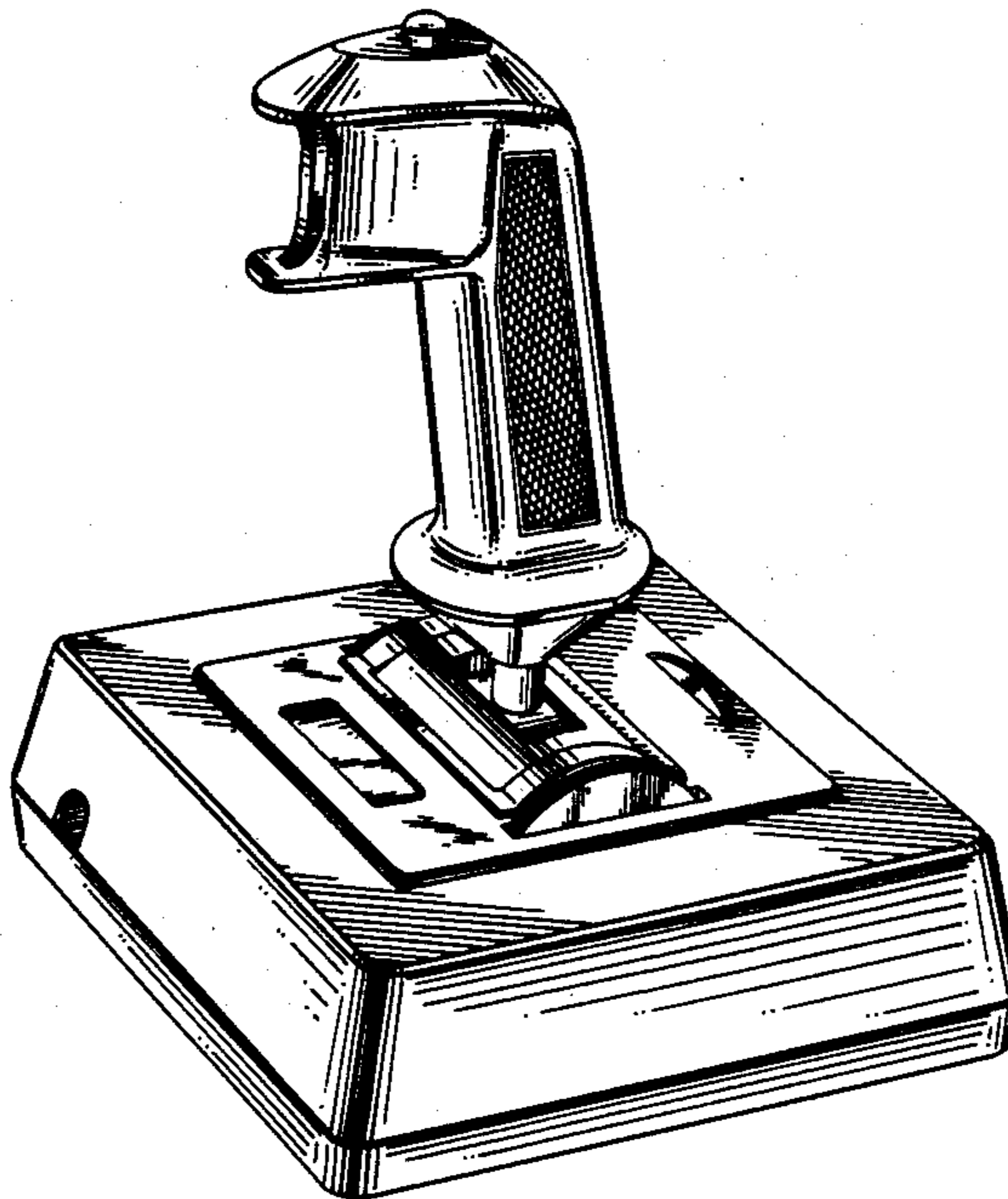
Primary Examiner—A. Hugo Word  
Assistant Examiner—Celia A. Murphy  
Attorney, Agent, or Firm—Price, Gess & Ubell

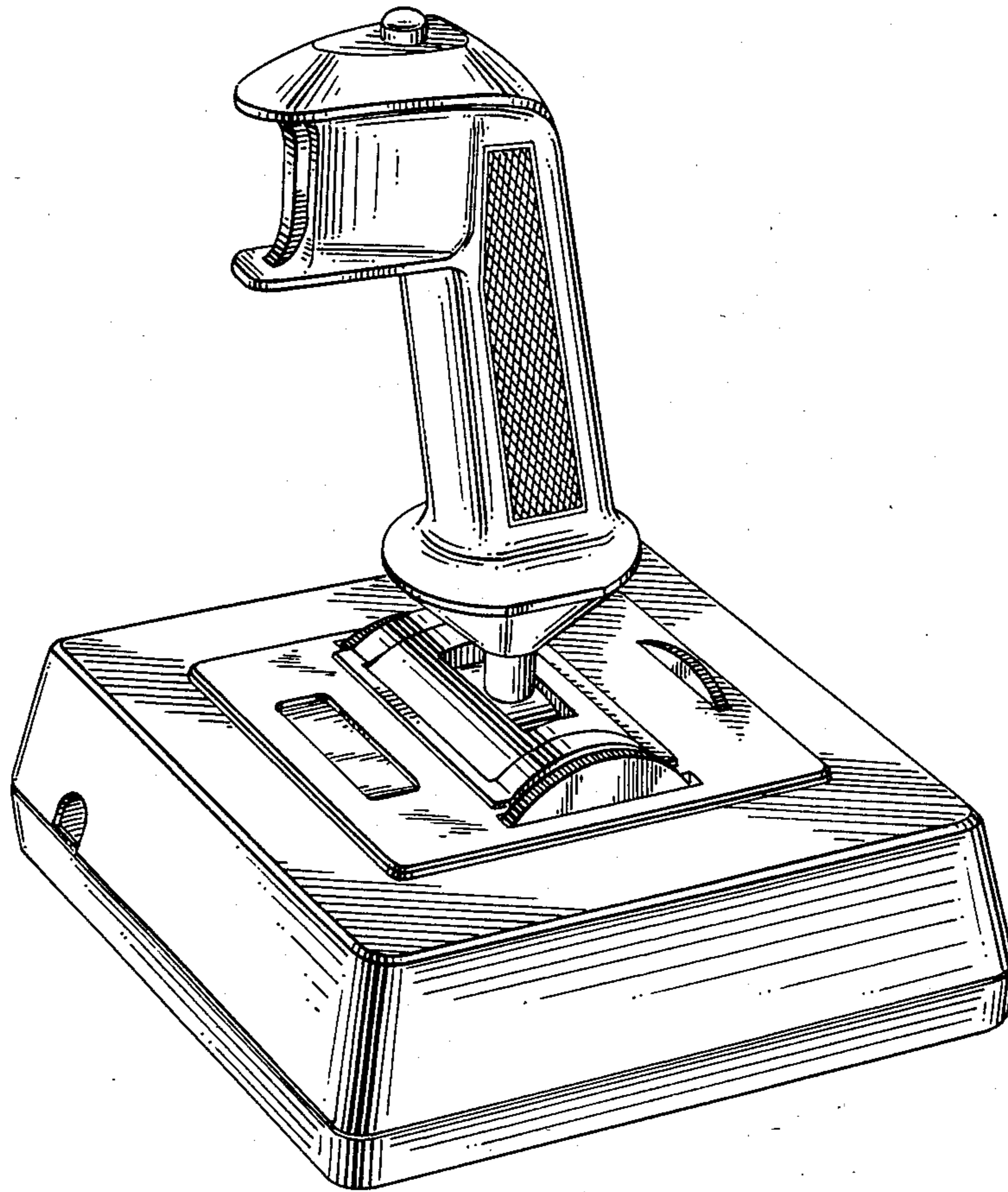
[57] CLAIM

The ornamental design for a joystick, as shown and described.

DESCRIPTION

FIG. 1 is a perspective view of a joystick showing my new design;  
FIG. 2 is a reduced front elevational view thereof;  
FIG. 3 is a right side elevational view of FIG. 2;  
FIG. 4 is a left side elevational view of FIG. 2;  
FIG. 5 is a rear elevational view of FIG. 2;  
FIG. 6 is a top plan view of FIG. 2; and  
FIG. 7 is a bottom plan view of FIG. 2.





*FIG. 1*

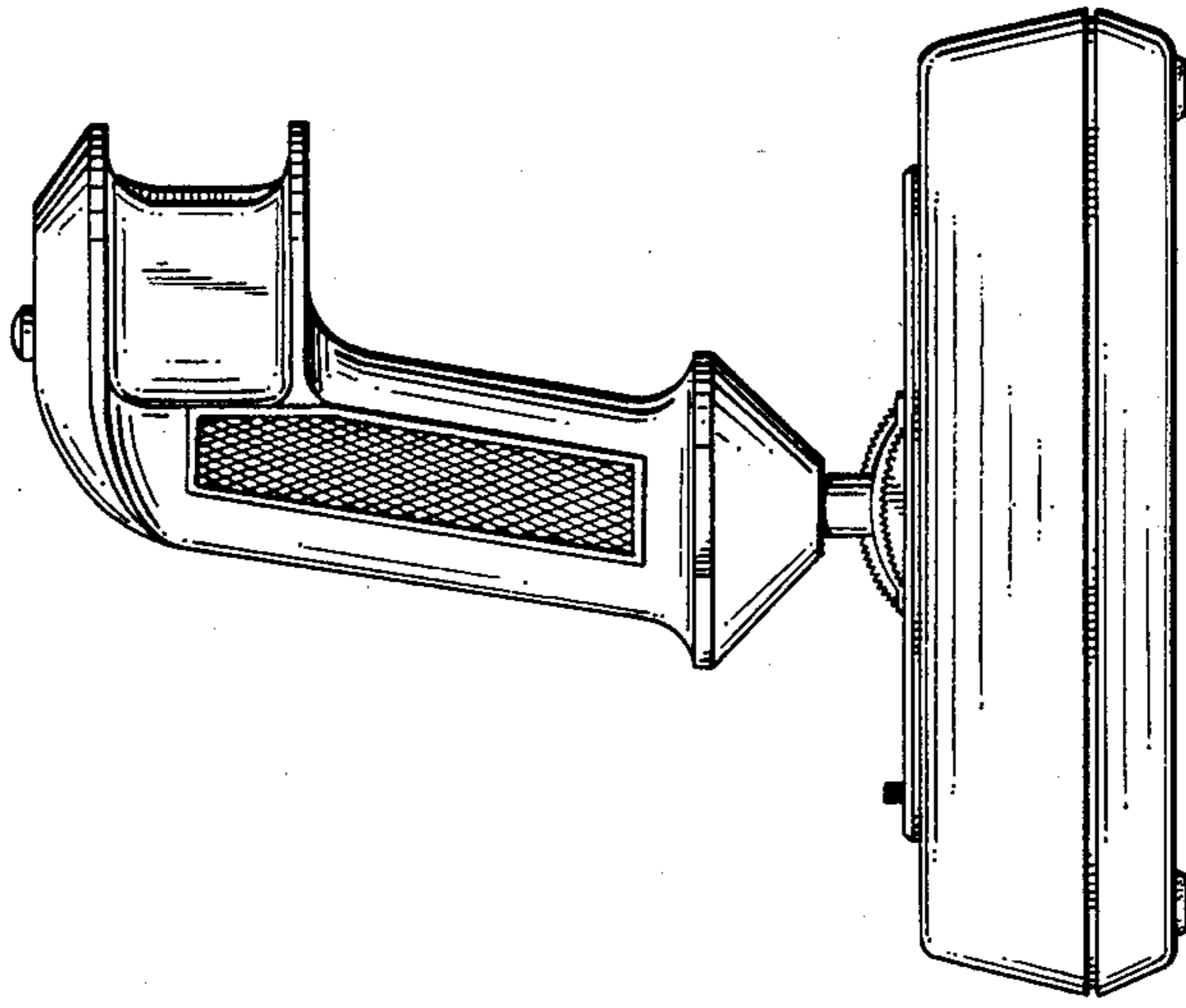


FIG. 3

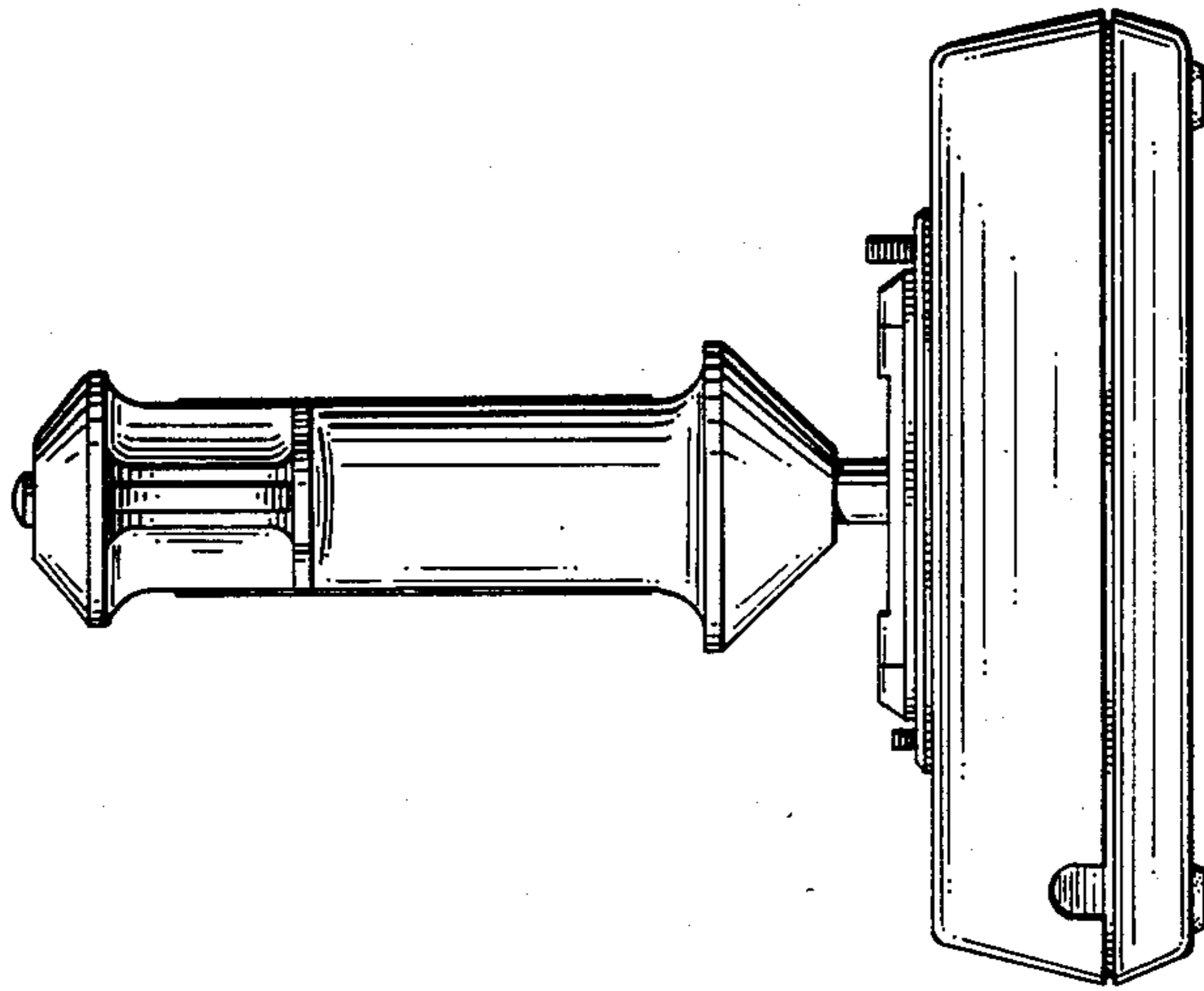


FIG. 2

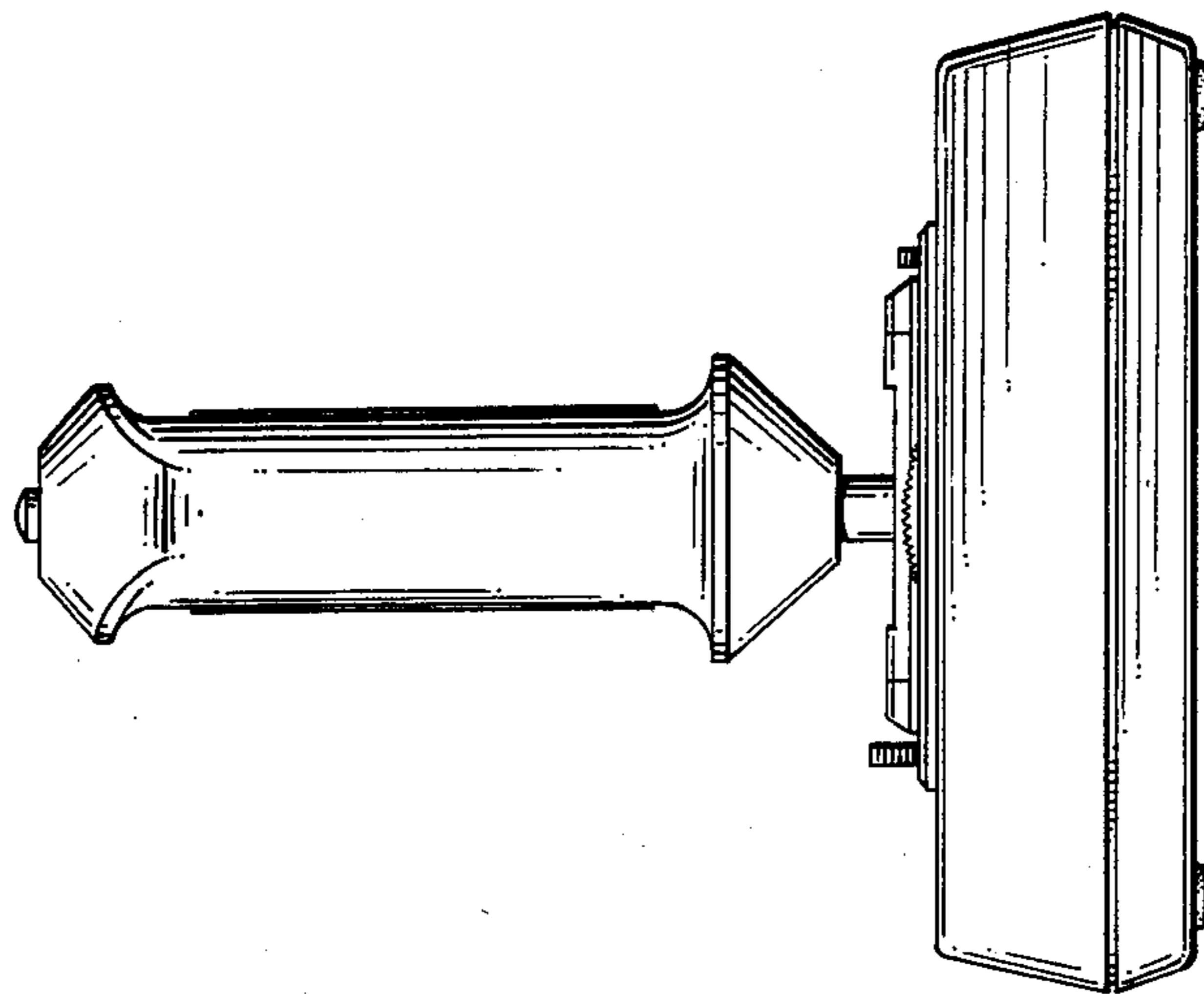


FIG. 5

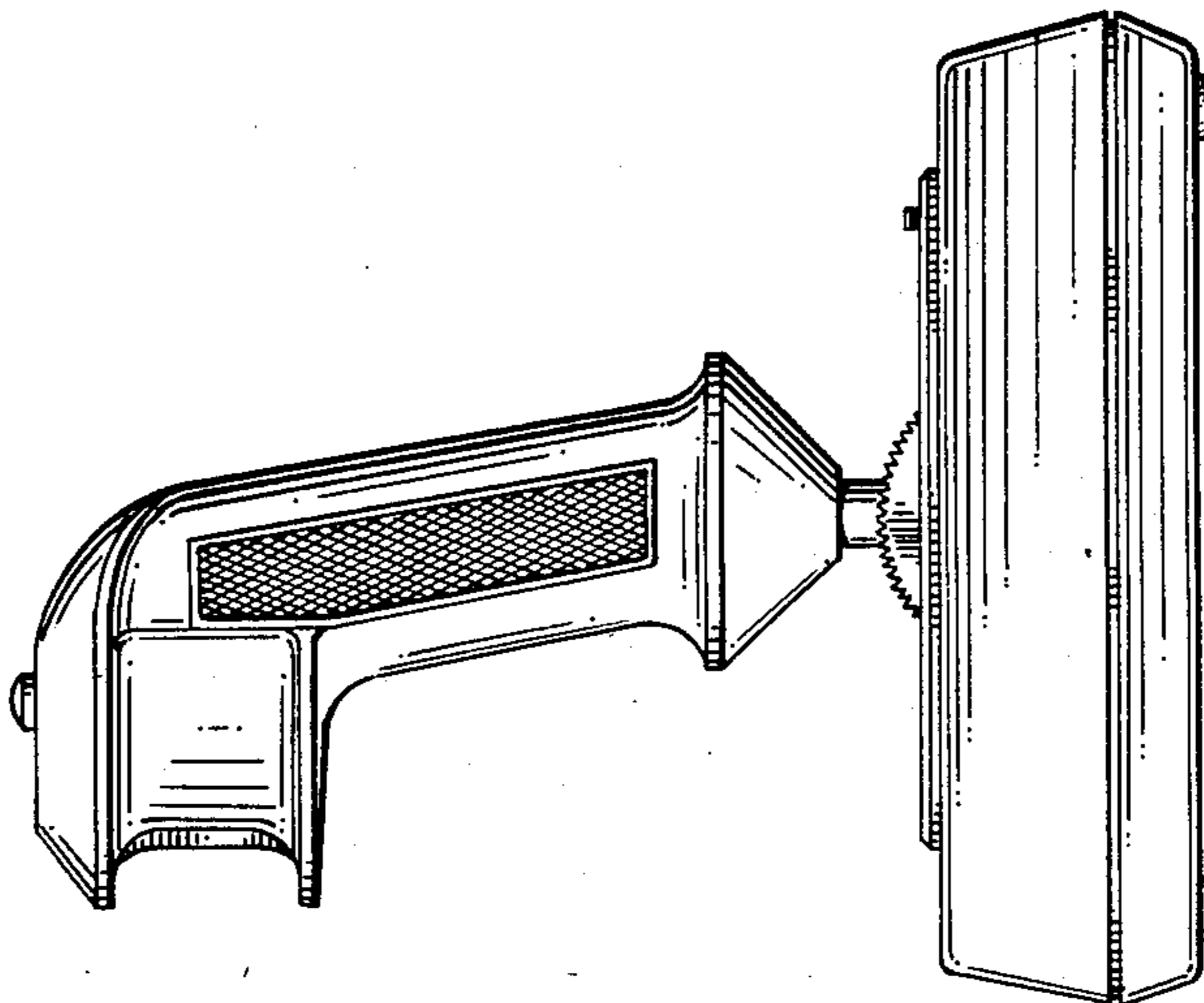


FIG. 4

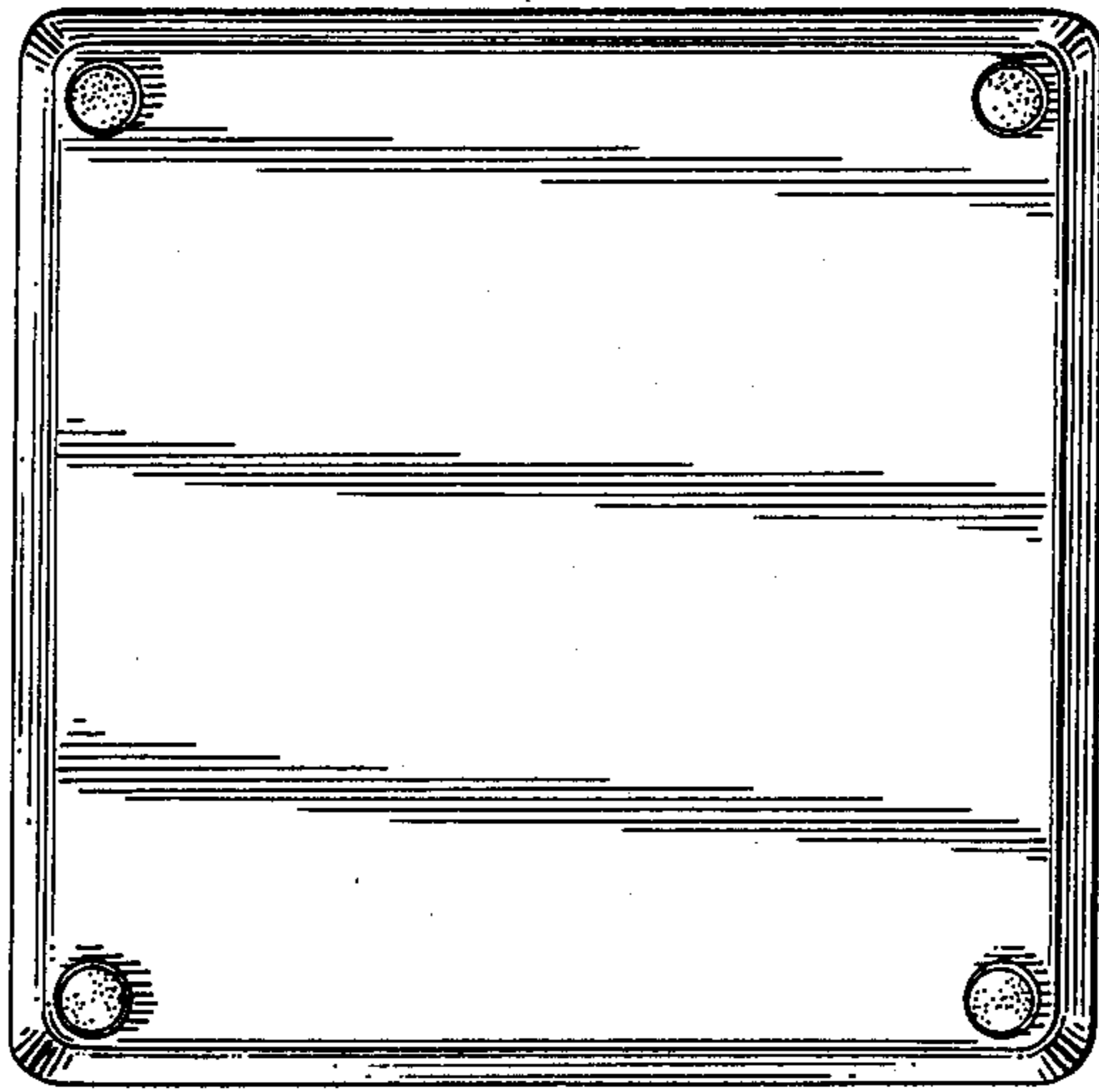


FIG. 7

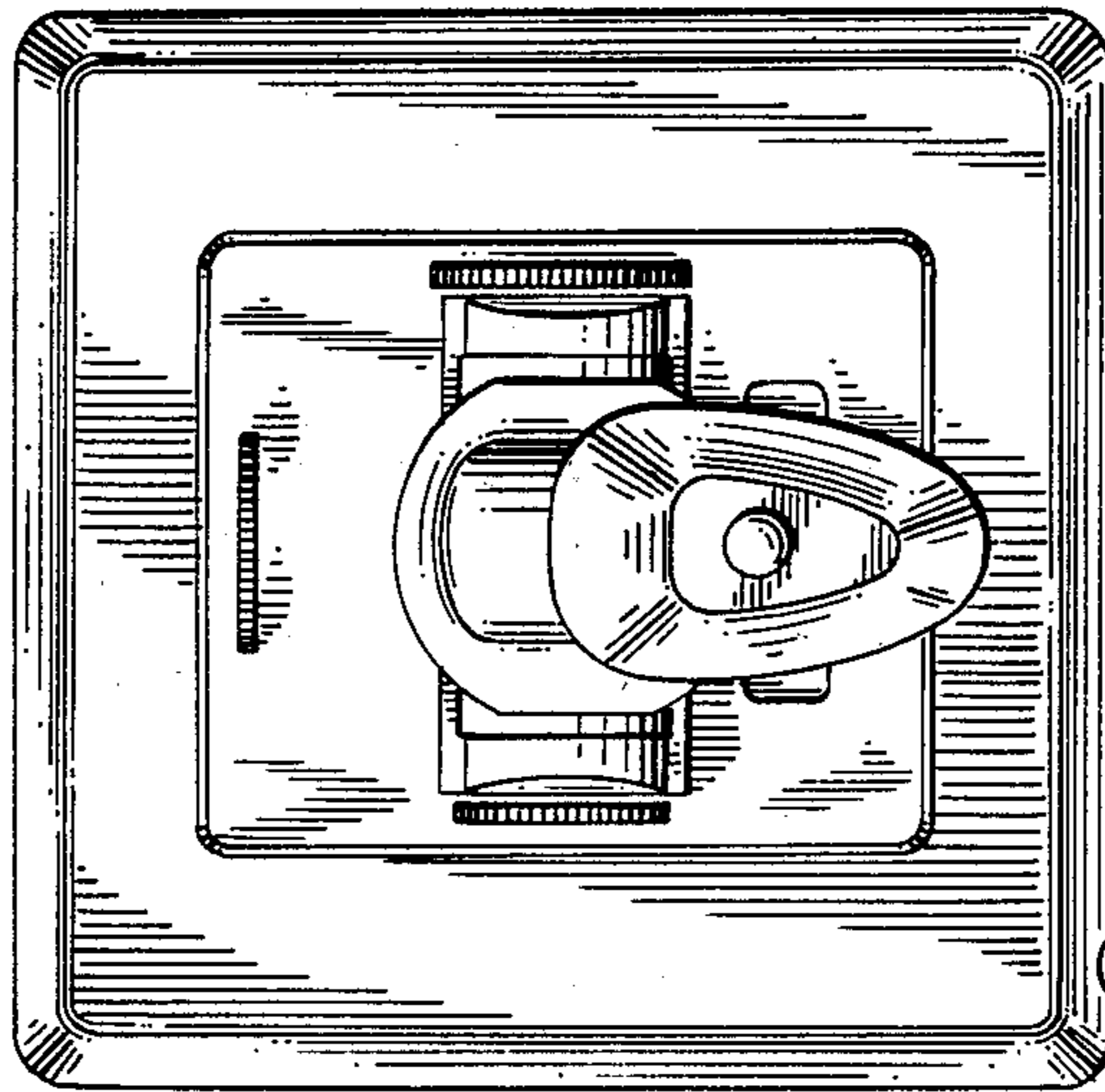


FIG. 6