

[54] PAIR OF BINOCULARS

[75] Inventors: Toshimasa Yamanaka; Takenao Shishikura; Akio Takahashi, all of Tokyo, Japan

[73] Assignee: Asahi Kogaku Kogyo Kabushiki Kaisha, Tokyo, Japan

[\*\*] Term: 14 Years

[21] Appl. No.: 179,002

[22] Filed: Apr. 7, 1988

[30] Foreign Application Priority Data

Oct. 9, 1987 [JP] Japan ..... 62-41539

[52] U.S. Cl. .... D16/133

[58] Field of Search ..... D16/133; 350/454, 546, 350/548, 549, 550, 551, 552, 555, 556

[56] References Cited

U.S. PATENT DOCUMENTS

D. 198,590 7/1964 Maguire ..... D16/133

D. 270,166 8/1983 Tomatsuri et al. .... D16/133

D. 299,724 2/1989 Aoki ..... D16/133

OTHER PUBLICATIONS

PENTAX catalog for binoculars Models 8×24MCF and 10×24MCF.

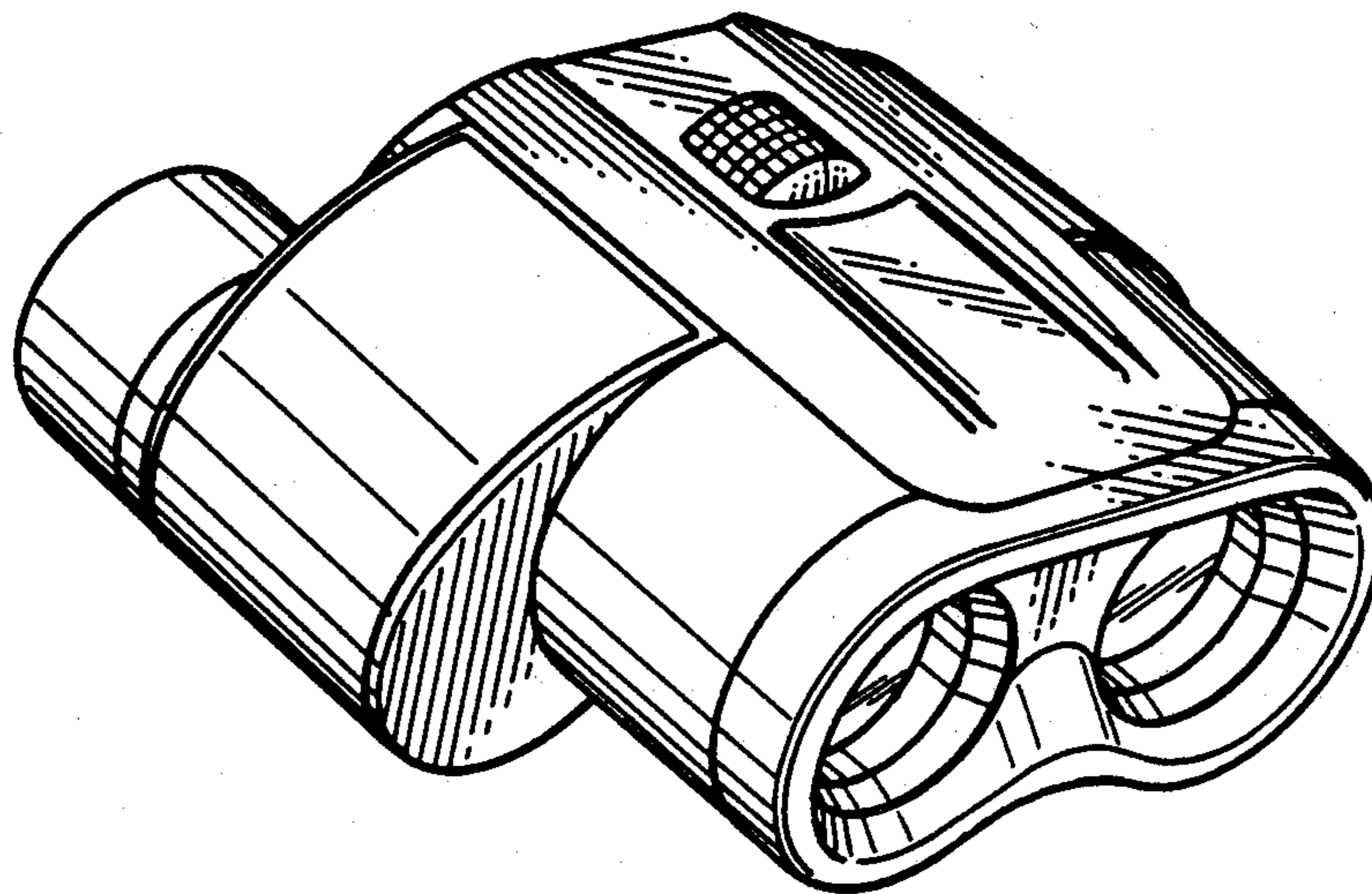
Primary Examiner—A. Hugo Word  
Assistant Examiner—Doris V. Coles  
Attorney, Agent, or Firm—Sughrue, Mion, Zinn, Macpeak & Seas

[57] CLAIM

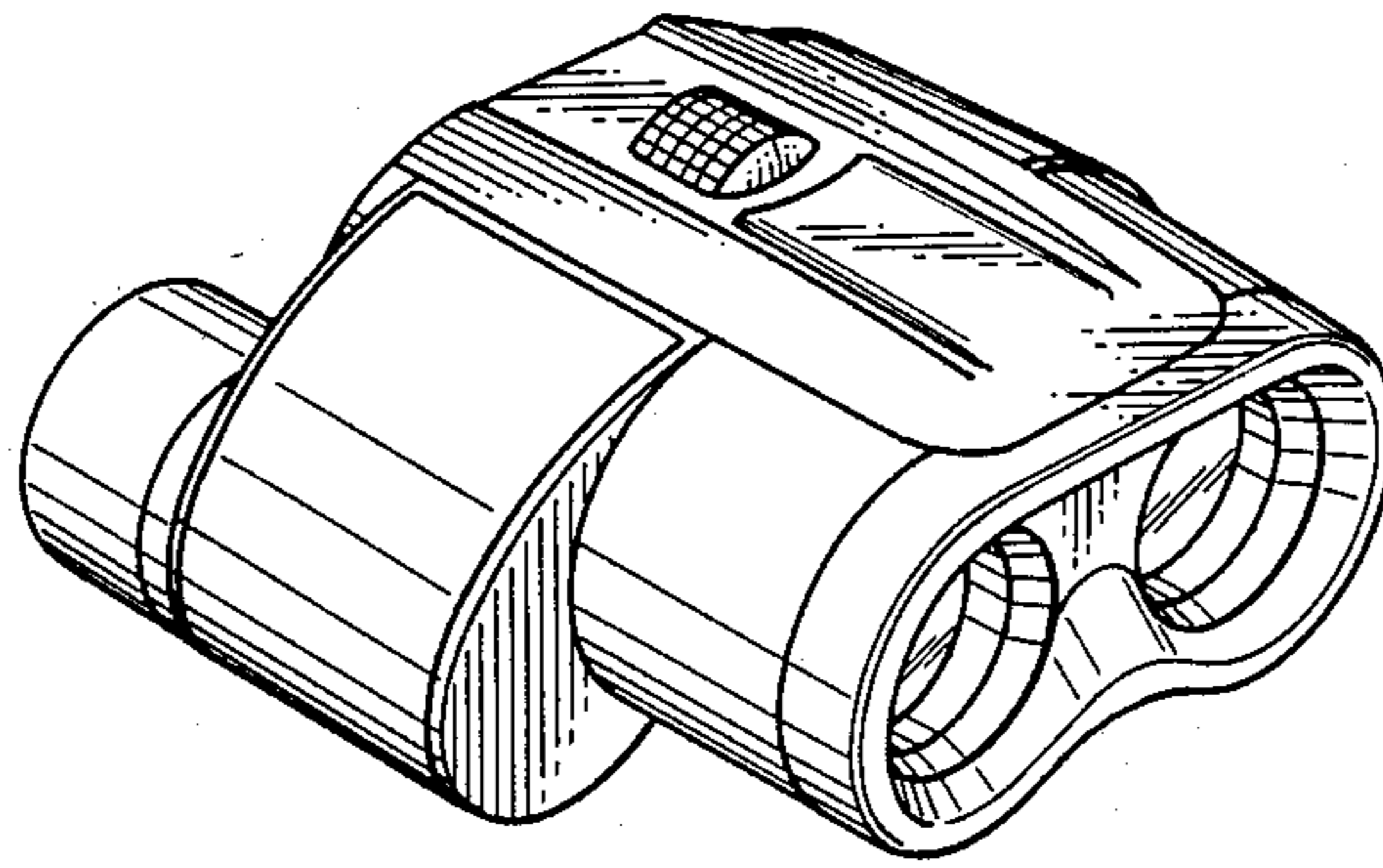
The ornamental design for a pair of binoculars, as shown and described.

DESCRIPTION

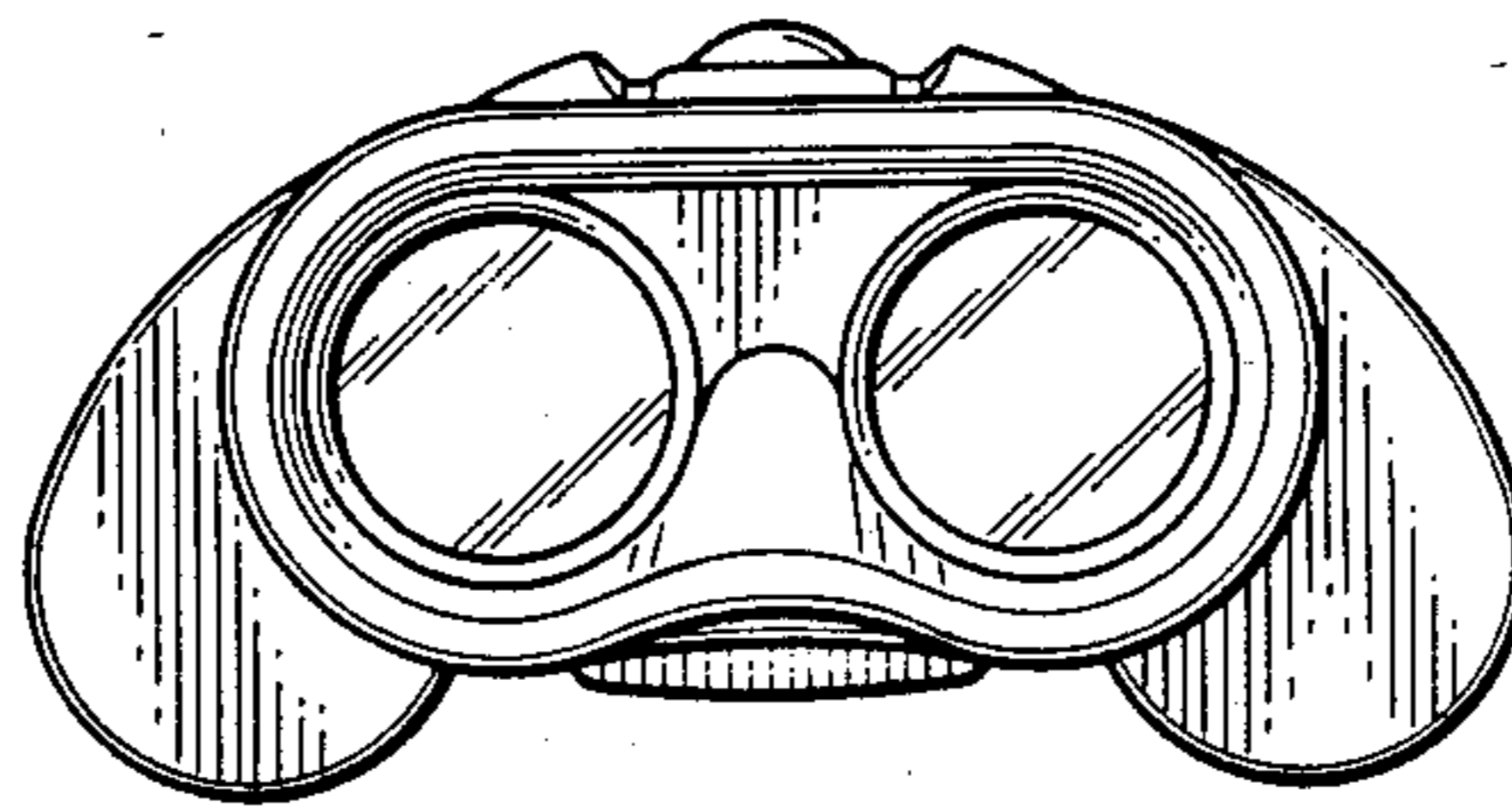
FIG. 1 is a front, top and left side perspective view of a pair of binoculars showing our new design; FIG. 2 is a front elevational view thereof; FIG. 3 is a rear elevational view thereof; FIG. 4 is a top plan view thereof; FIG. 5 is a bottom plan view thereof; FIG. 6 is a left side elevational view thereof; FIG. 7 is a right side elevational view thereof; and FIG. 8 is a perspective view thereof with the eyepieces thereof in angular adjusted position relative to the casing.



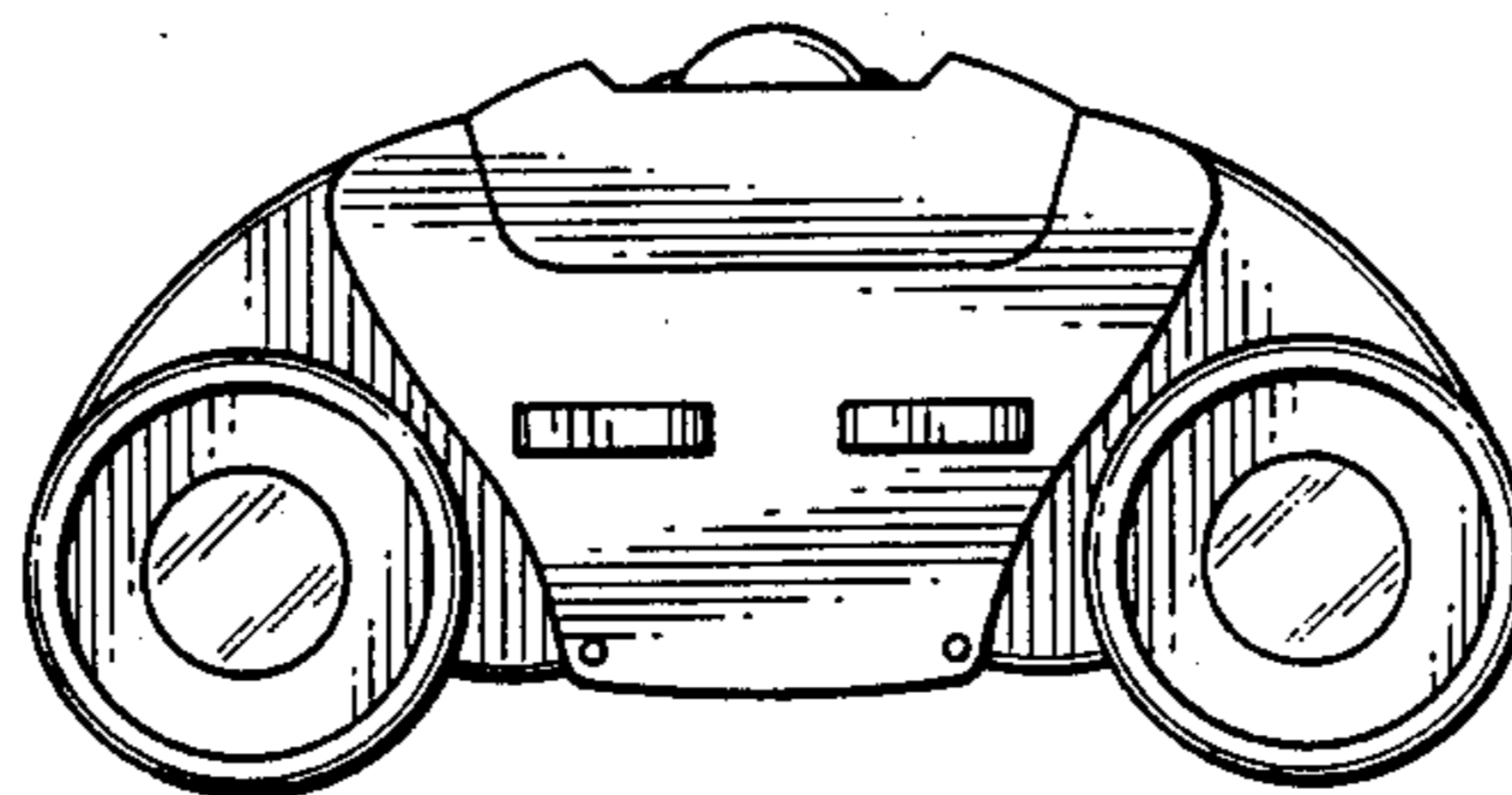
*Fig. 1*



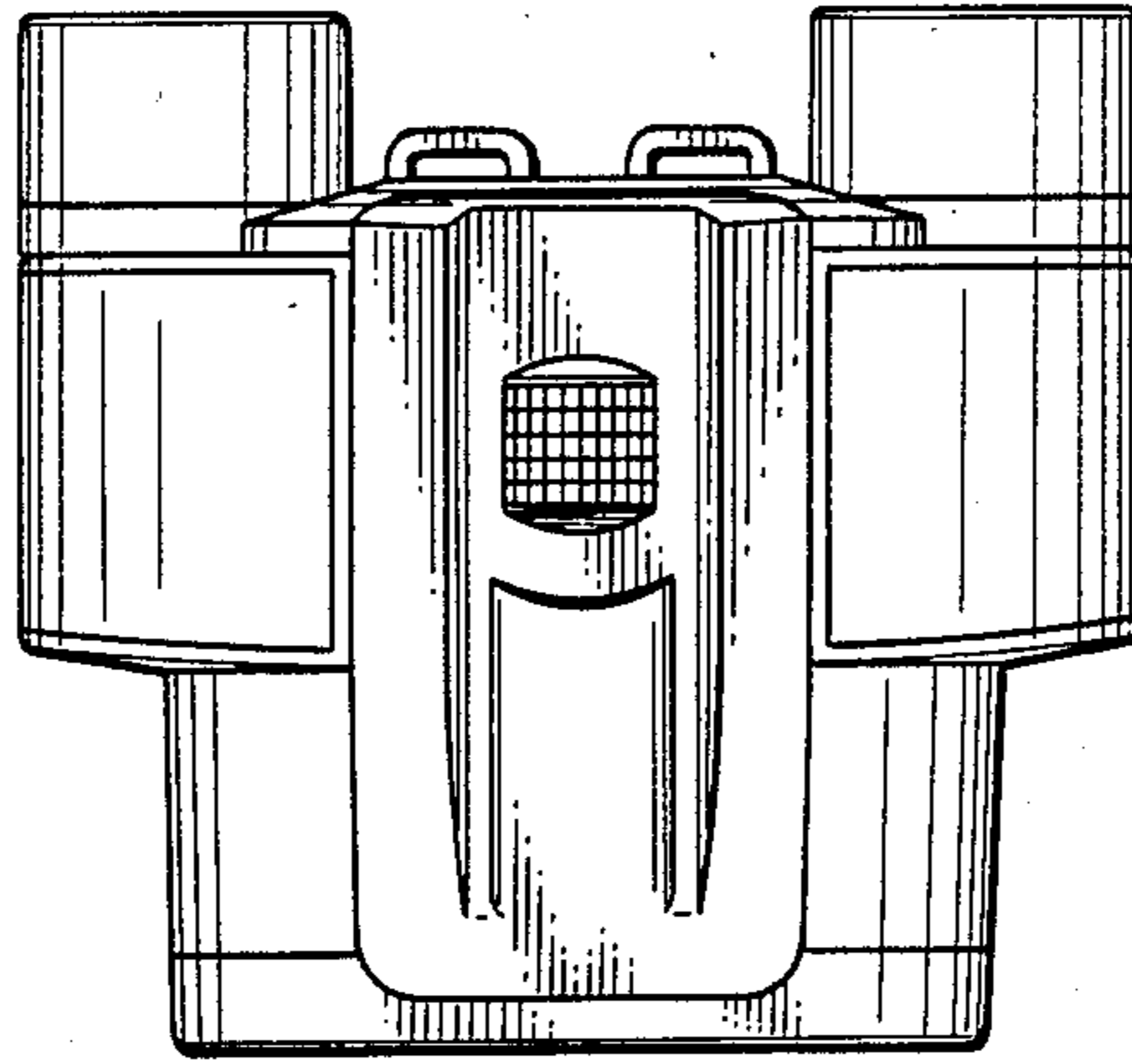
*Fig. 2*



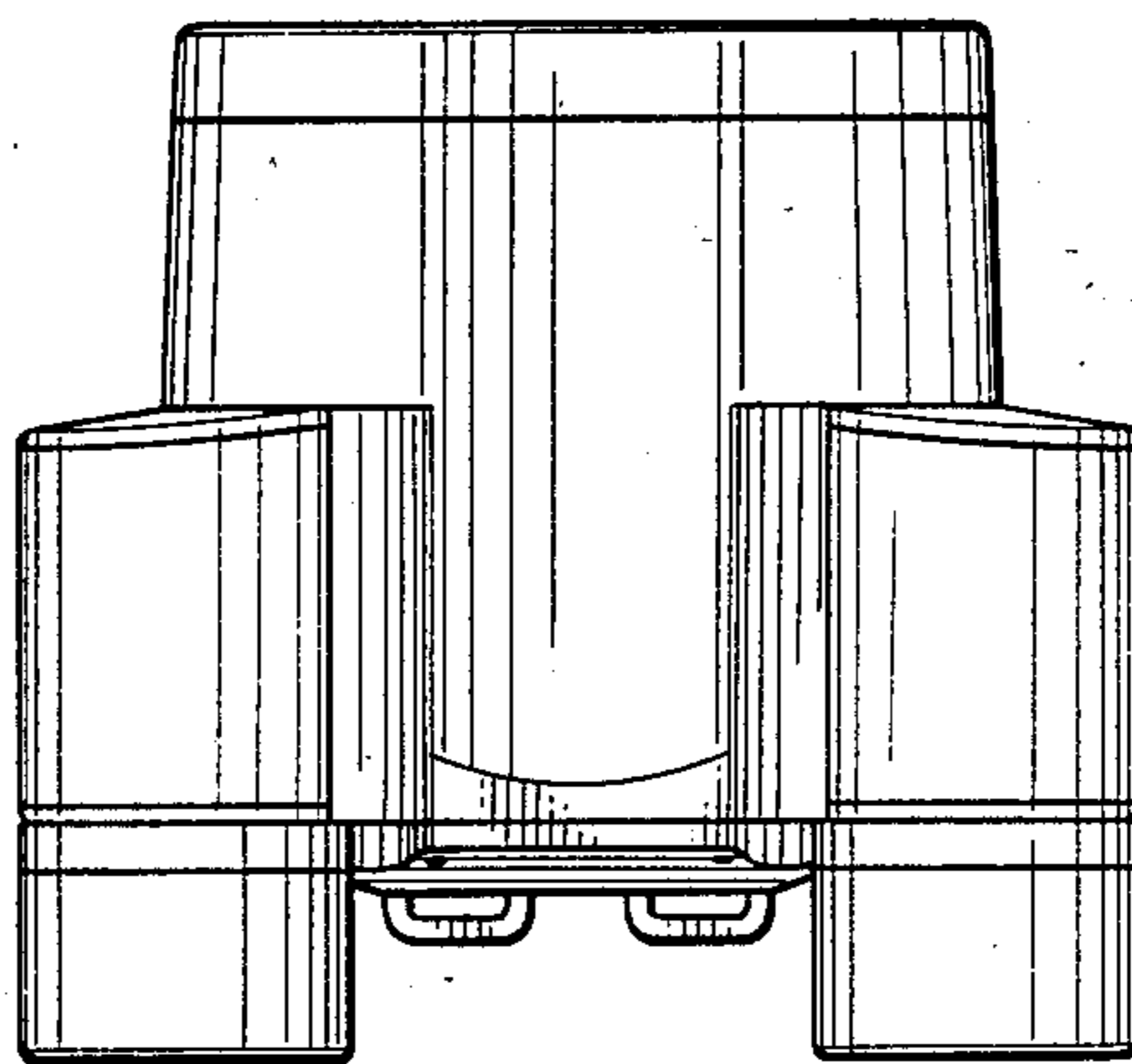
*Fig. 3*



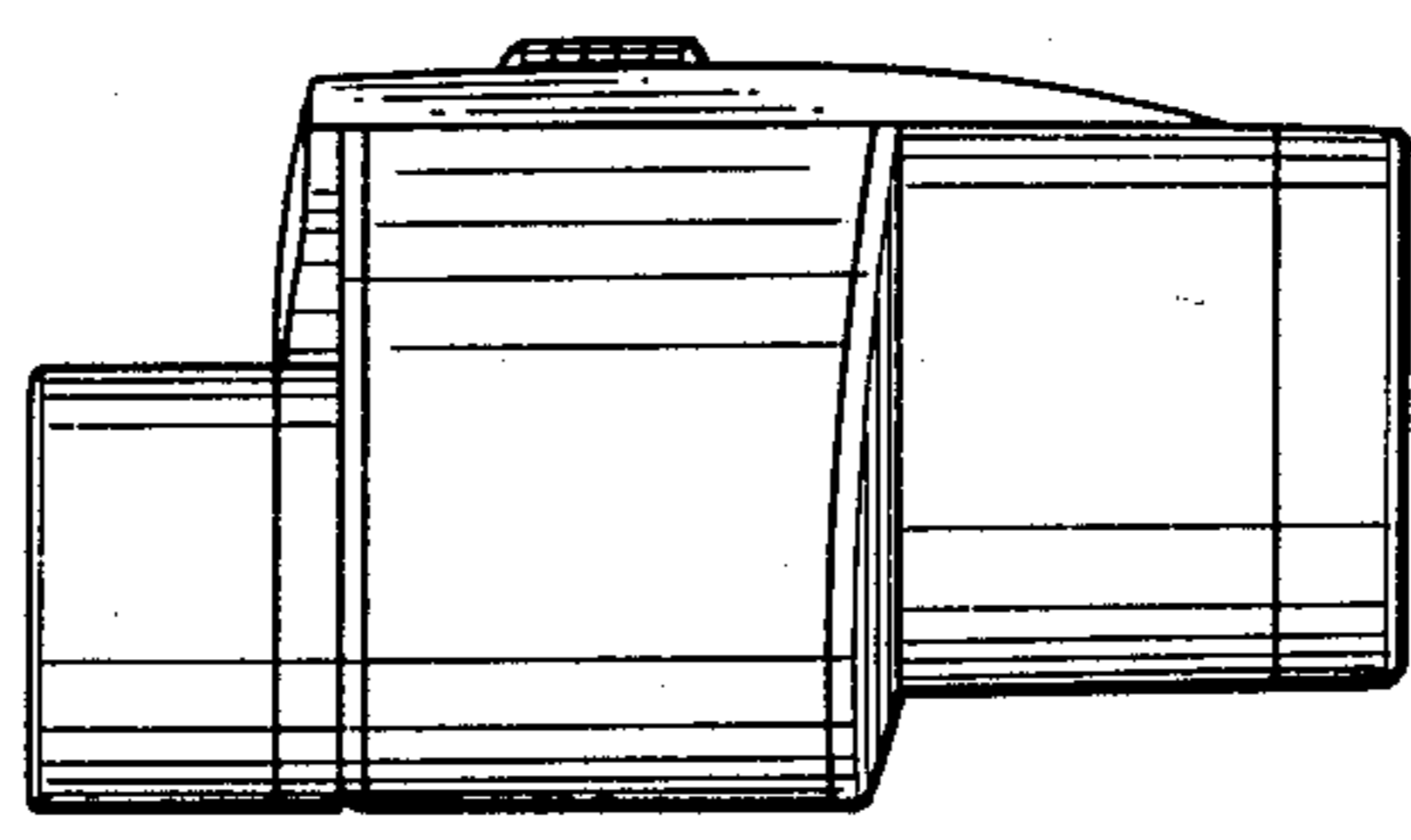
*Fig. 4*



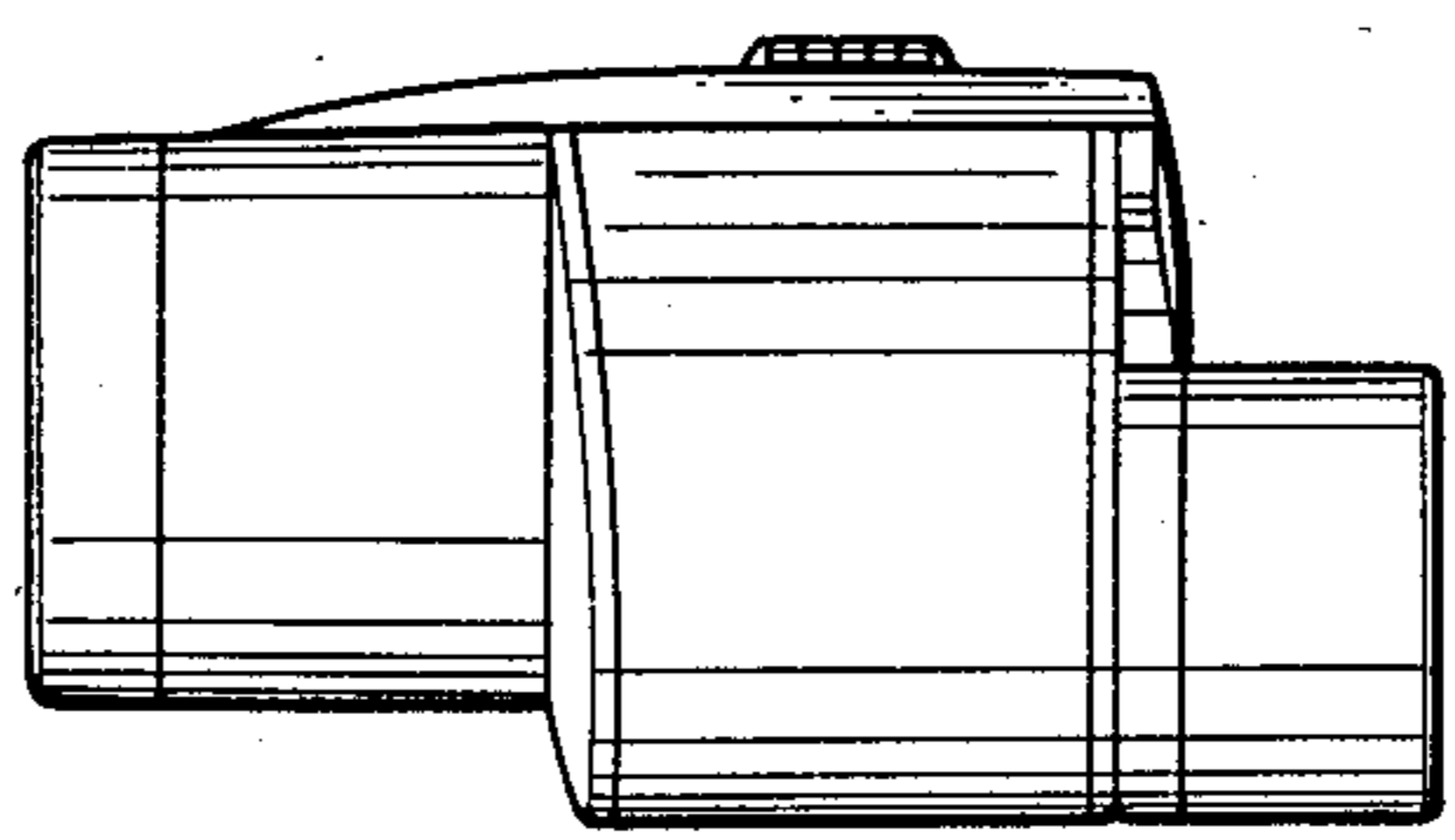
*Fig. 5*



*Fig. 6*



*Fig. 7*



*Fig. 8*

