

[54] WELDING SEAM TRACKER

[75] Inventors: Torbjorn Forss; Hakan Fardig; Tommy Svensson, all of Västerås, Sweden

[73] Assignee: ASEA Aktiebolag, Västerås, Sweden

[\*\*] Term: 14 Years

[21] Appl. No.: 1,271

[22] Filed: Jan. 7, 1987

[30] Foreign Application Priority Data

Jul. 7, 1986 [SE] Sweden ..... 86-1621

[52] U.S. Cl. .... D15/199; D15/144

[58] Field of Search ..... 219/124.34, 136; 901/42, 47; 250/202

[56] References Cited

U.S. PATENT DOCUMENTS

- 3,704,372 11/1972 Parker et al. .
- 4,306,144 12/1981 Masaki .
- 4,328,416 5/1982 Dudley et al. .... 250/202
- 4,413,910 11/1983 Cornu et al. .
- 4,417,127 11/1983 Nachev et al. .
- 4,501,950 2/1985 Richardson .

- 4,555,613 11/1985 Shulman .
- 4,794,223 12/1988 Barkman et al. .... 219/124.34
- 4,812,614 3/1989 Wang et al. .... 219/124.34

OTHER PUBLICATIONS

ASEA Robotics Pamphlet titled "Laser Tank Seam Tracking System", printed in Sweden in 1986.

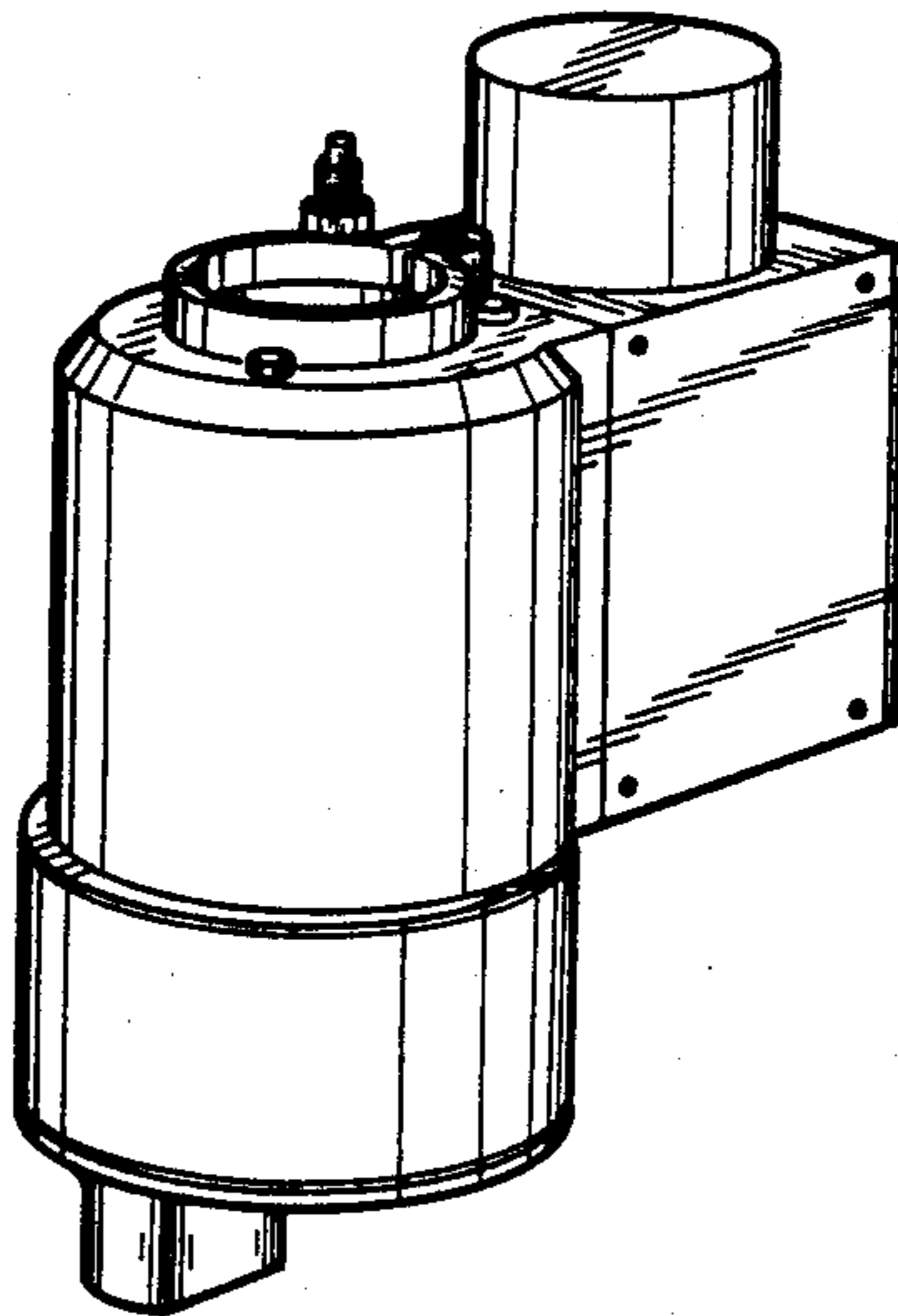
Primary Examiner—Nelson C. Holtje  
Assistant Examiner—Jeffrey Asch  
Attorney, Agent, or Firm—Pollock, Vande Sande & Priddy

[57] CLAIM

The ornamental design for a welding seam tracker, as shown and described.

DESCRIPTION

FIG. 1 is a rear, left side and bottom perspective view of a welding seam tracker showing our new design; FIG. 2 is a front, right side and top perspective view; FIG. 3 is a rear elevational view; FIG. 4 is a right side elevational view; FIG. 5 is a front elevational view; FIG. 6 is a left side elevational view; FIG. 7 is a top plan view; and, FIG. 8 is a bottom plan view thereof.



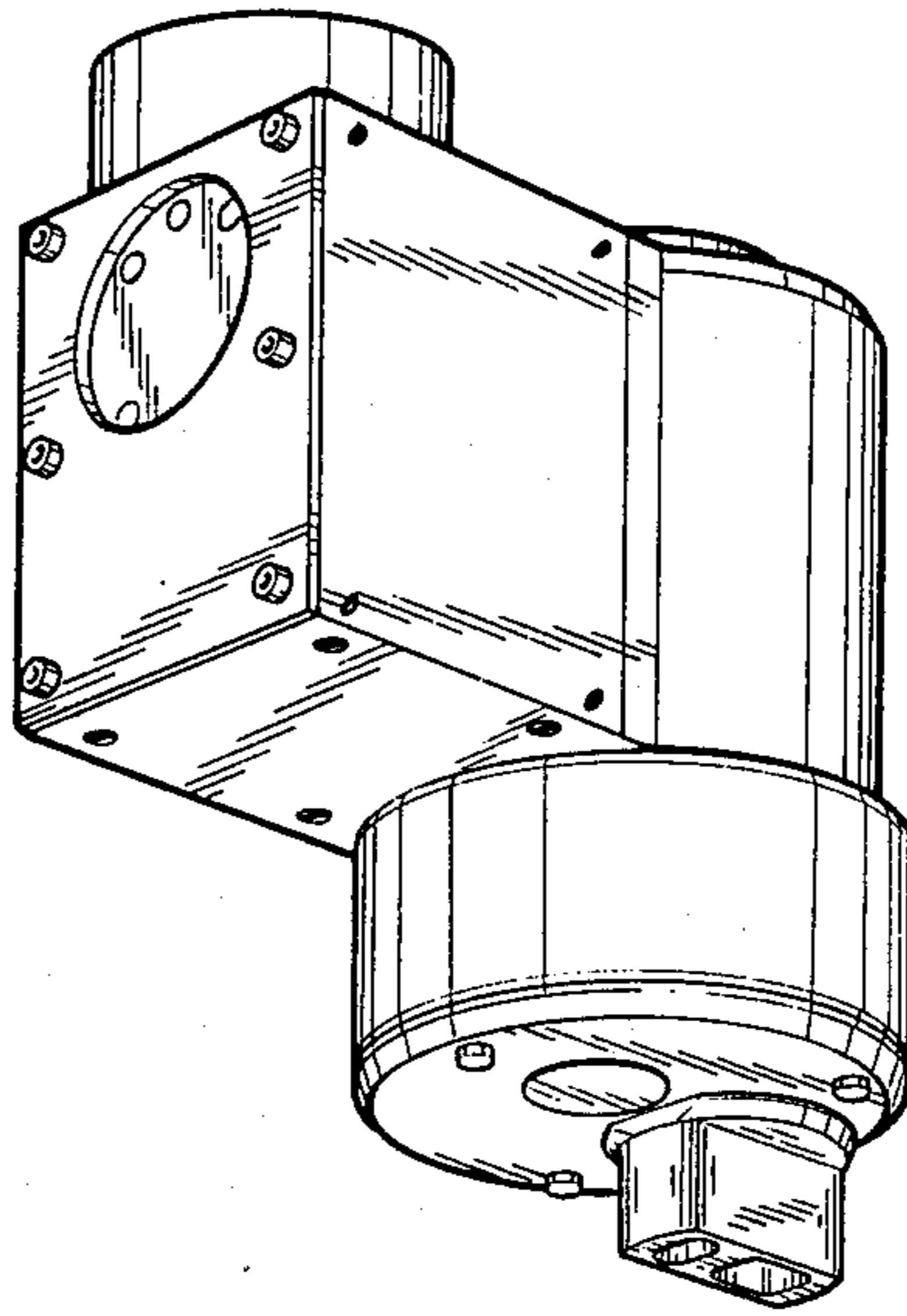


FIG 1

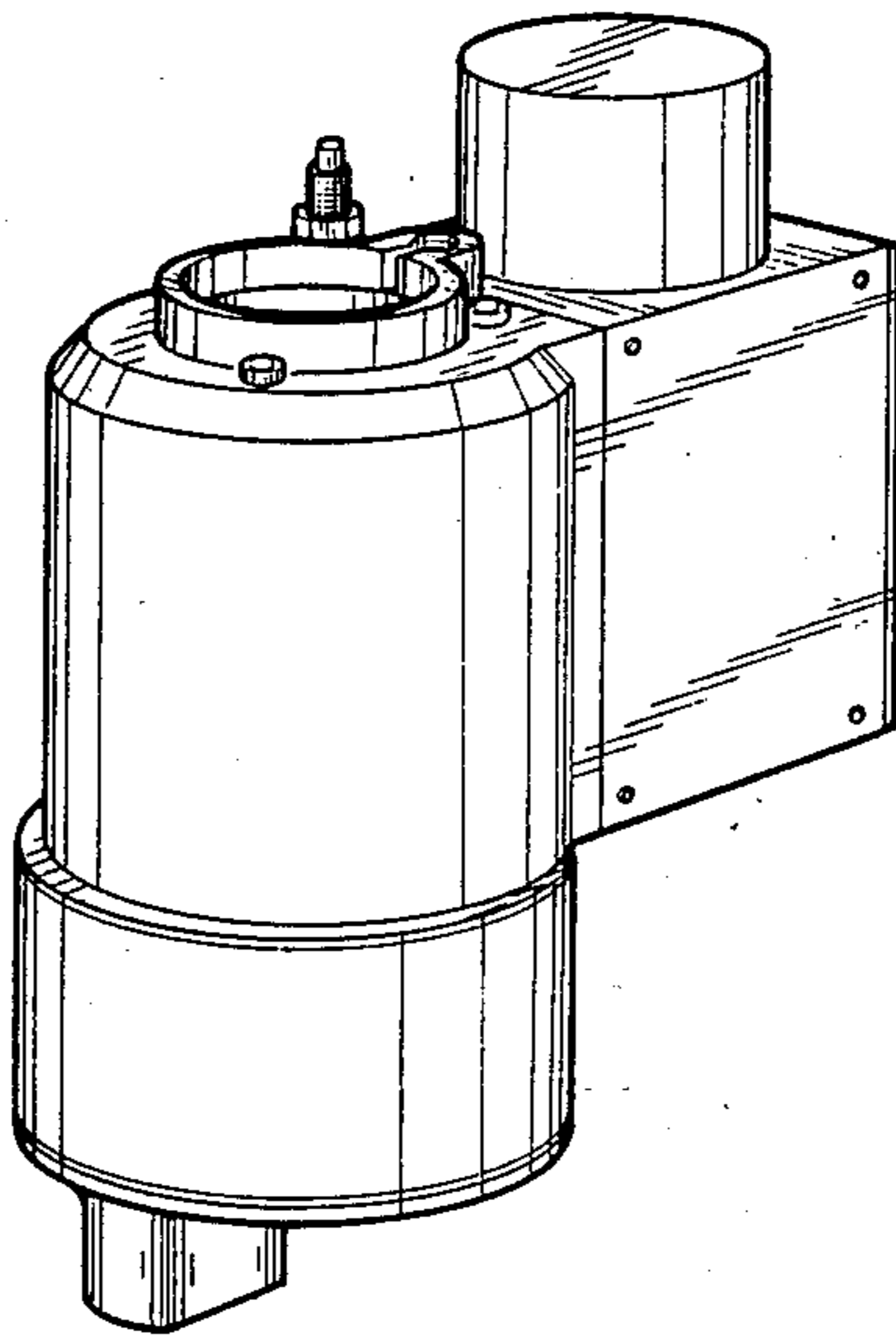


FIG 2

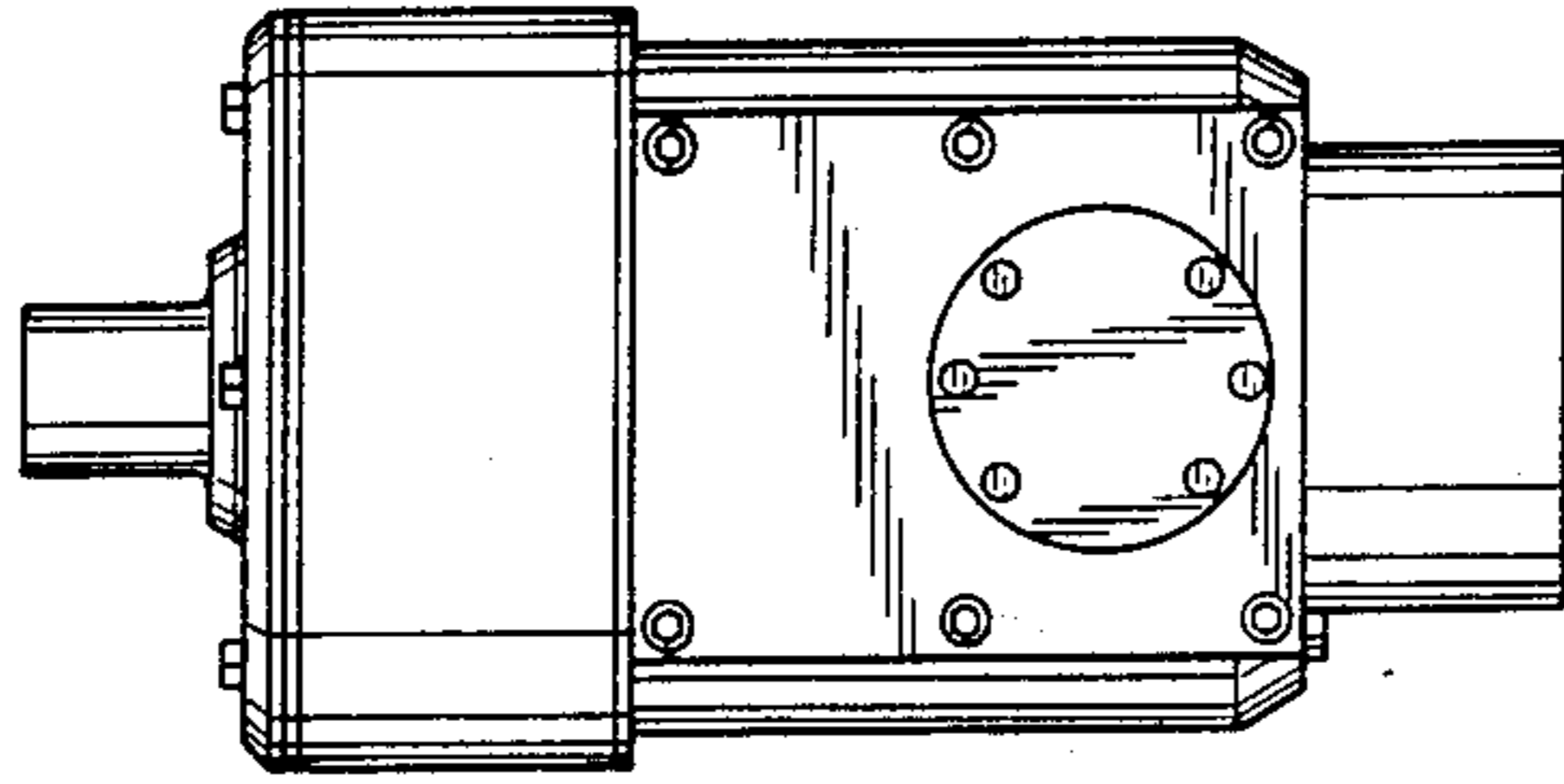


FIG 3

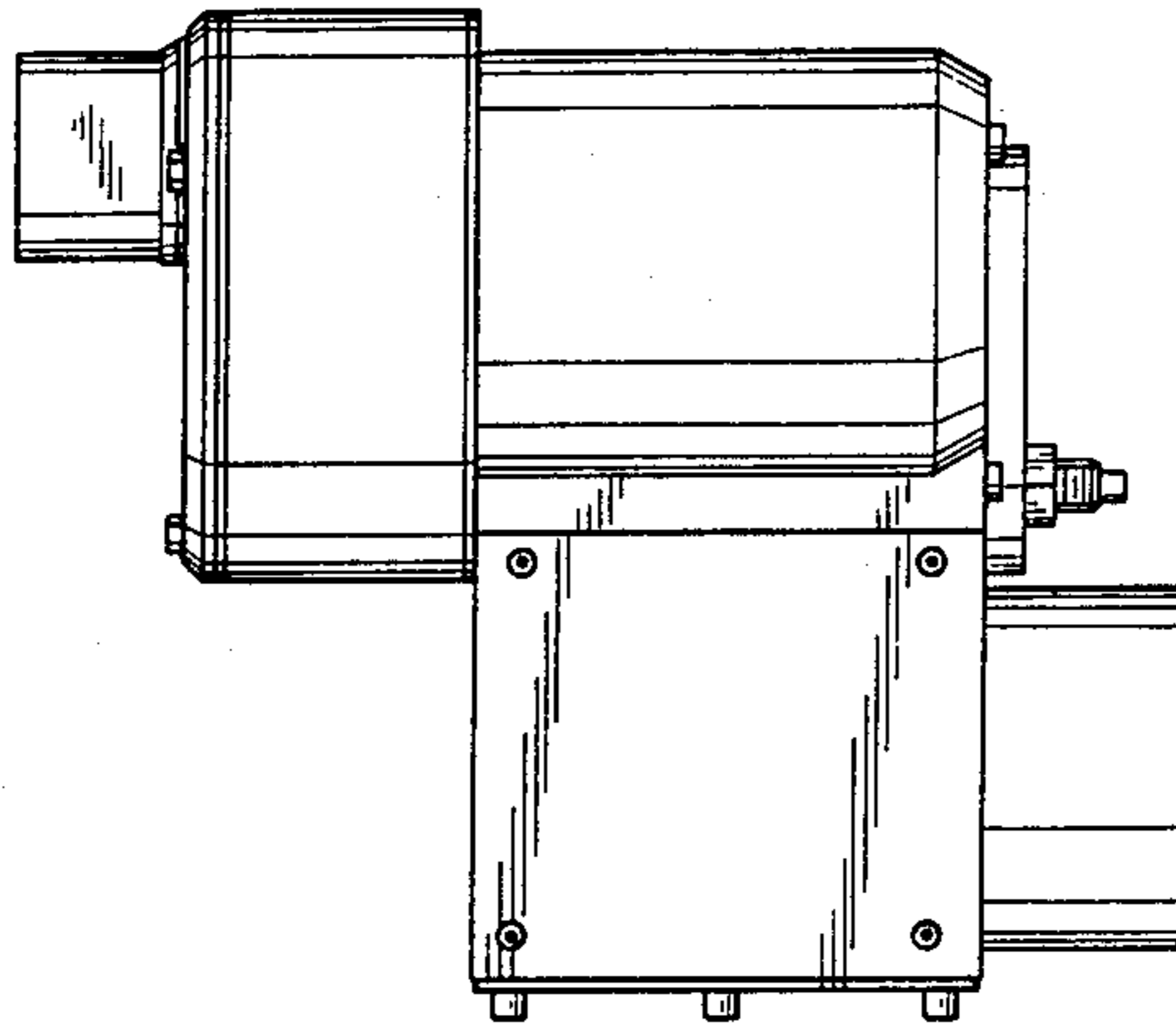


FIG 4

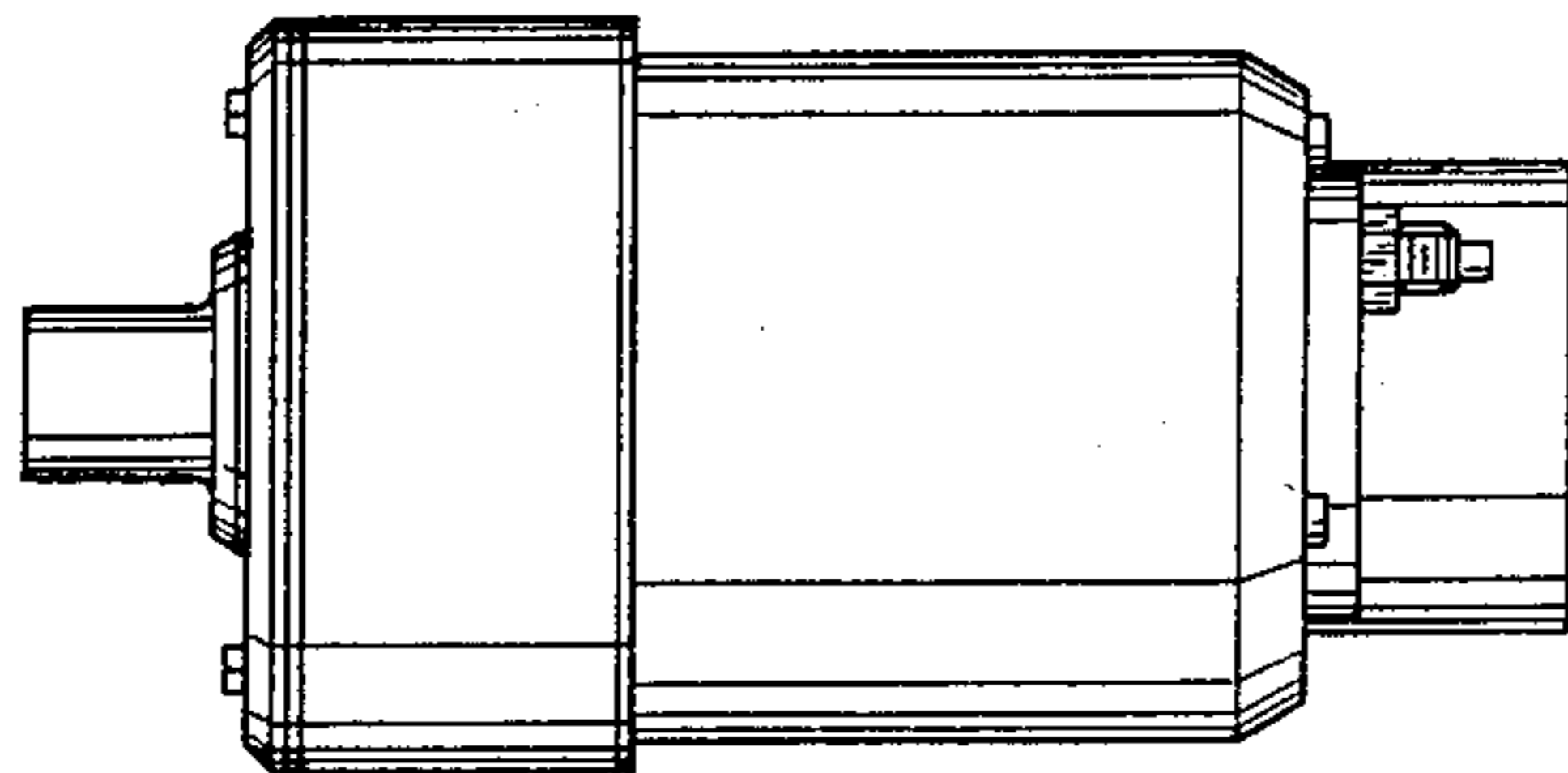


FIG 5

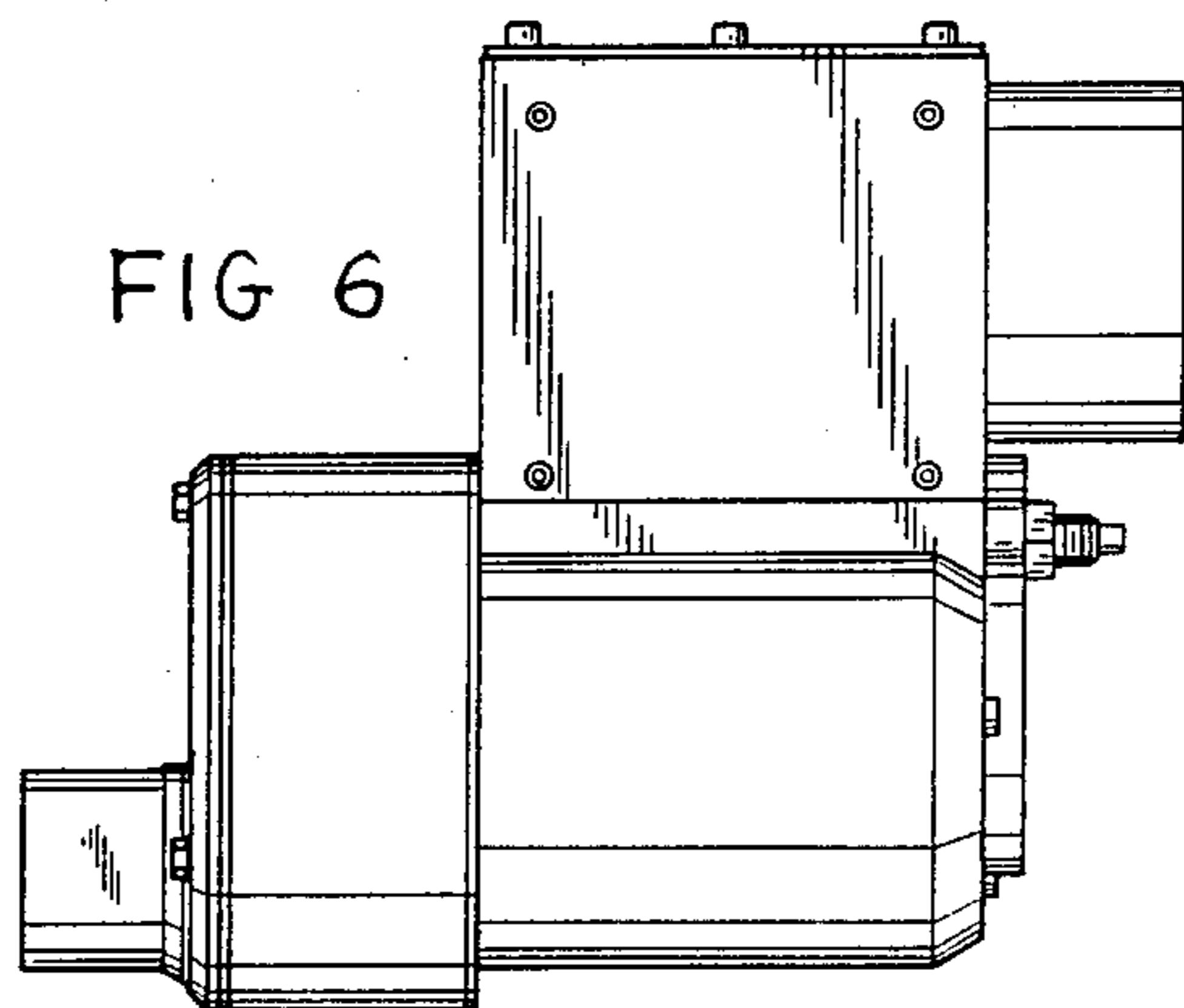


FIG 6

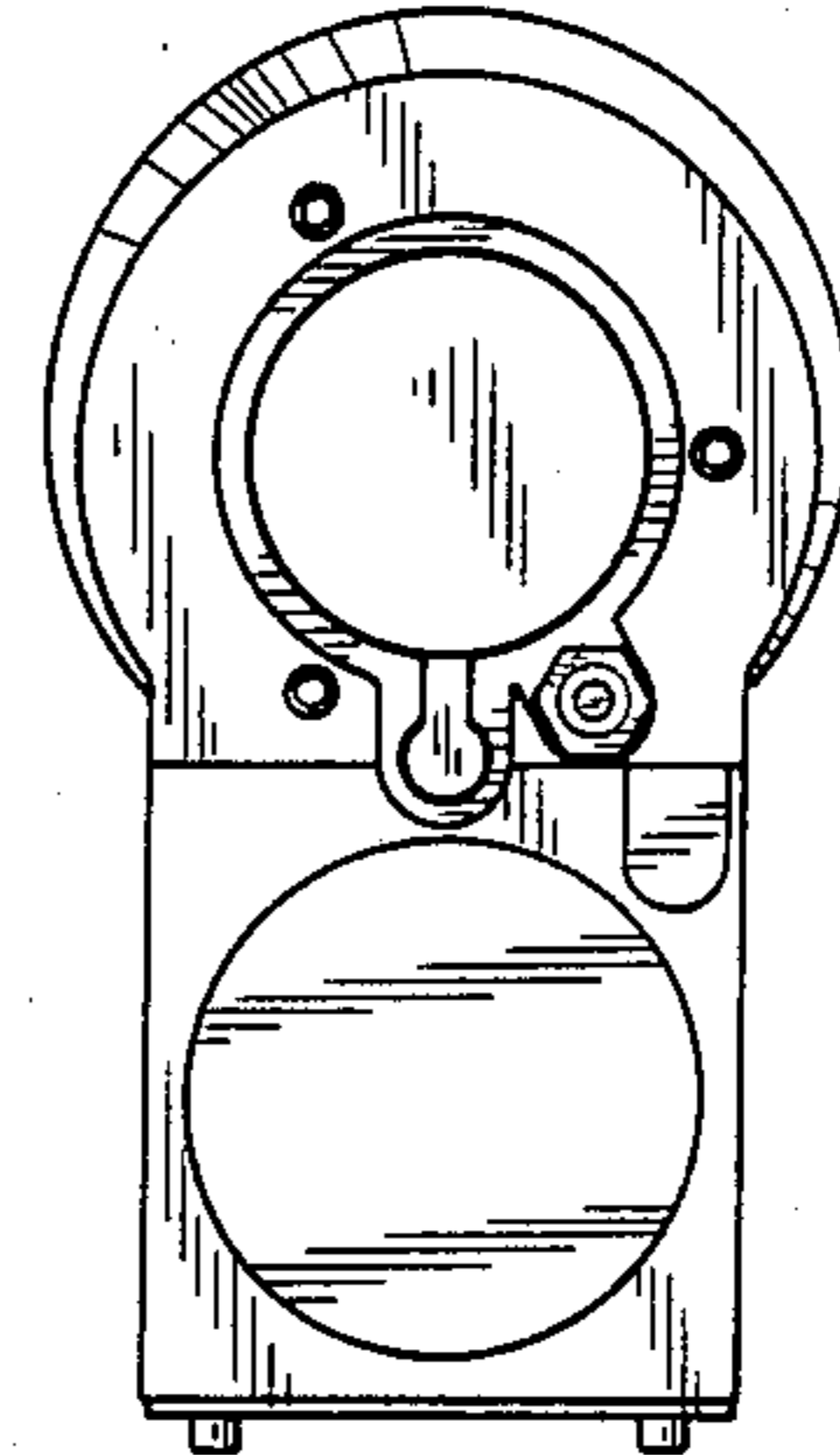


FIG 7

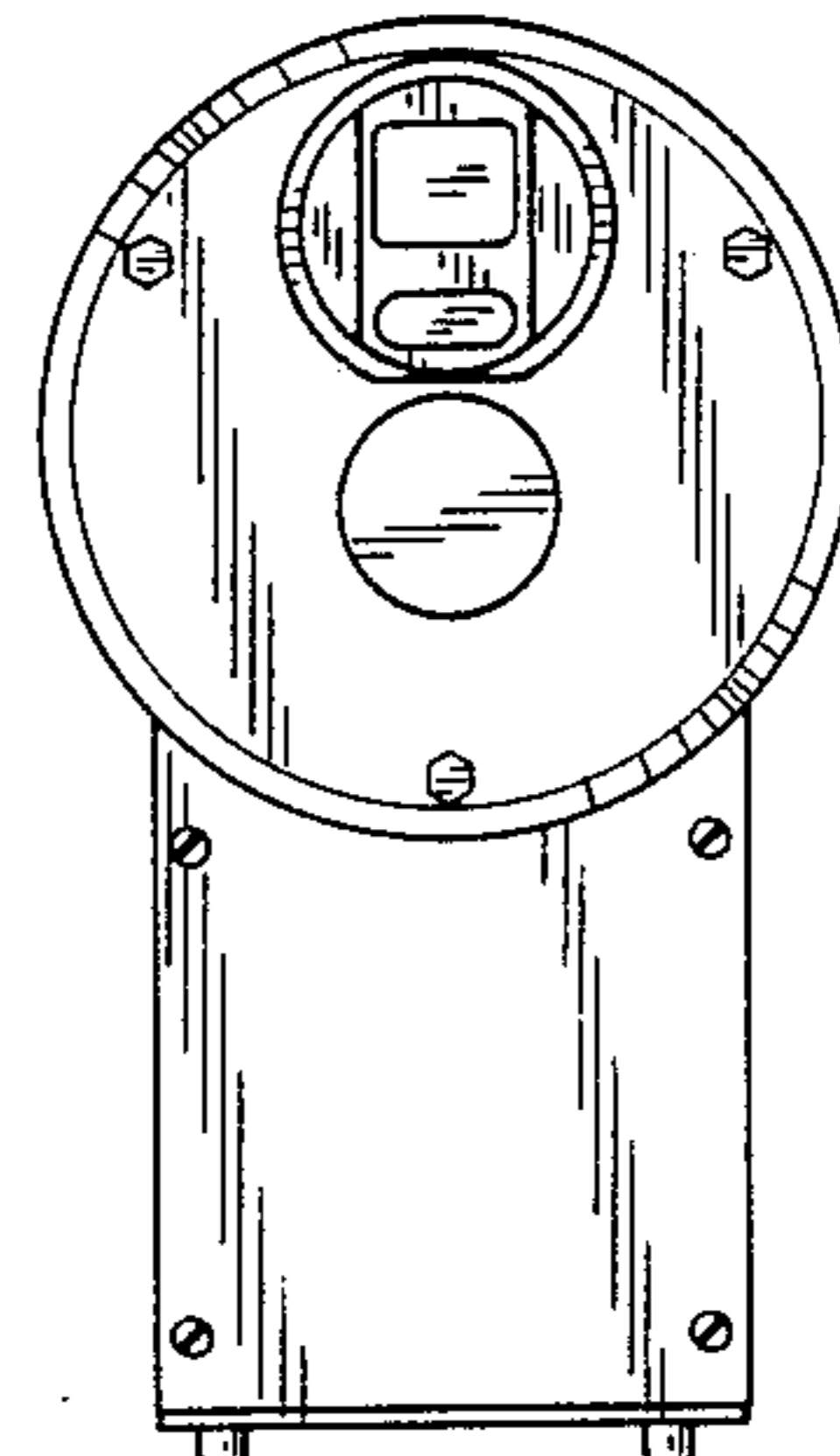


FIG 8