

[54] SEWING MACHINE

[75] Inventor: Koji Uchida, Hachioji, Japan

[73] Assignee: Janome Sewing Machine Co., Ltd., Tokyo, Japan

[**] Term: 14 Years

[21] Appl. No.: 915,315

[22] Filed: Oct. 3, 1986

[30] Foreign Application Priority Data

Aug. 8, 1986 [JP] Japan 61-30859

[52] U.S. Cl. D15/69

[58] Field of Search D15/66, 68-76; 112/63, 258-261

[56] References Cited

U.S. PATENT DOCUMENTS

D. 267,881 2/1983 Current D15/68

D. 278,823 5/1985 Yoneda D15/69
D. 292,928 11/1987 Lo D15/69
D. 298,044 10/1988 Sekiguchi D15/69

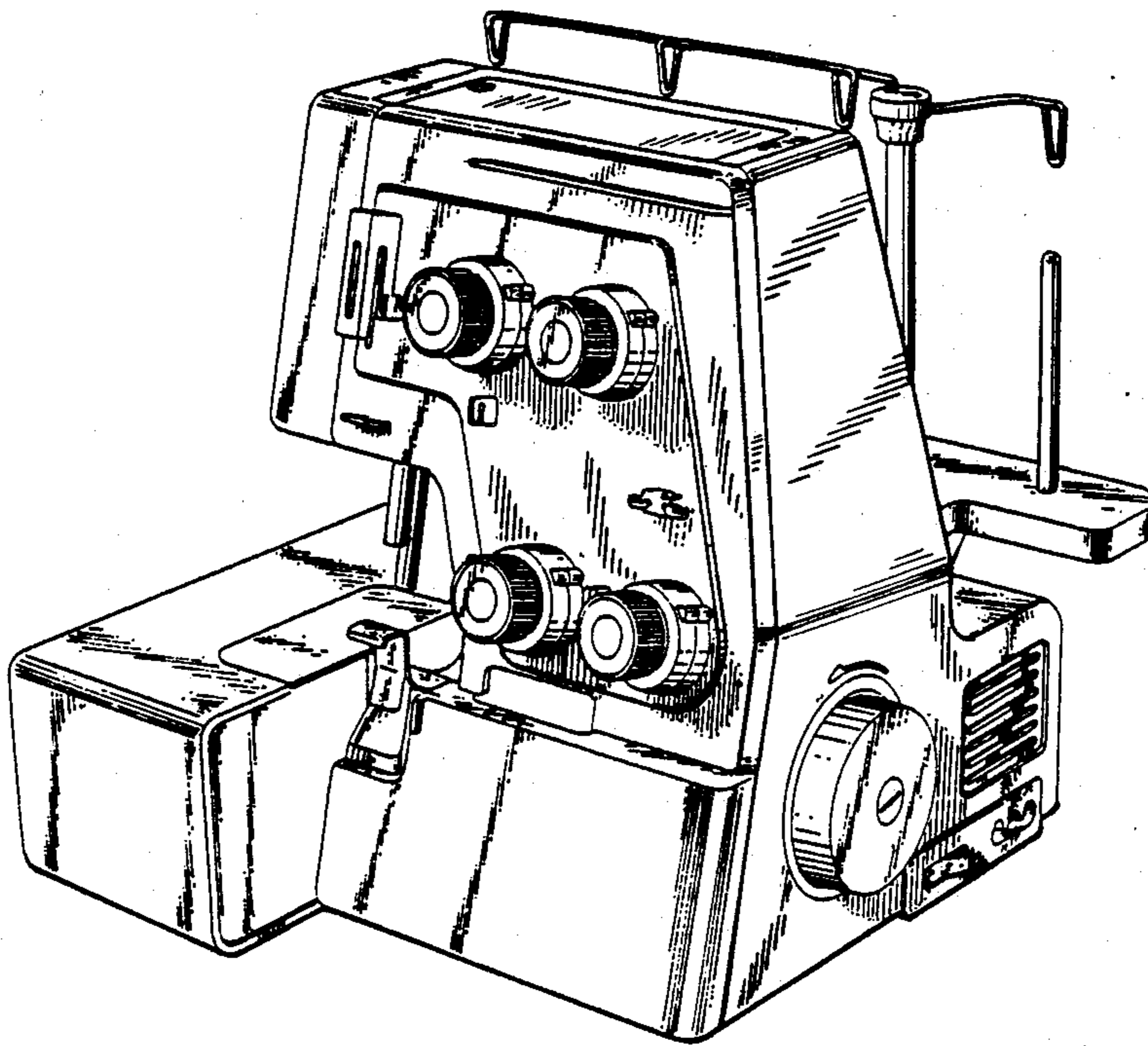
Primary Examiner—Nelson C. Holtje
Assistant Examiner—Ruth Takemoto
Attorney, Agent, or Firm—Michael J. Striker

[57] CLAIM

The ornamental design for a sewing machine, as shown and described.

DESCRIPTION

FIG. 1 is a front elevational view of a sewing machine showing my new design;
FIG. 2 is a rear elevational view thereof;
FIG. 3 is a left side elevational view thereof;
FIG. 4 is a right side elevational view thereof;
FIG. 5 is a top plan view thereof;
FIG. 6 is a bottom plan view thereof; and
FIG. 7 is a top, front and side perspective view thereof.



FIG_1

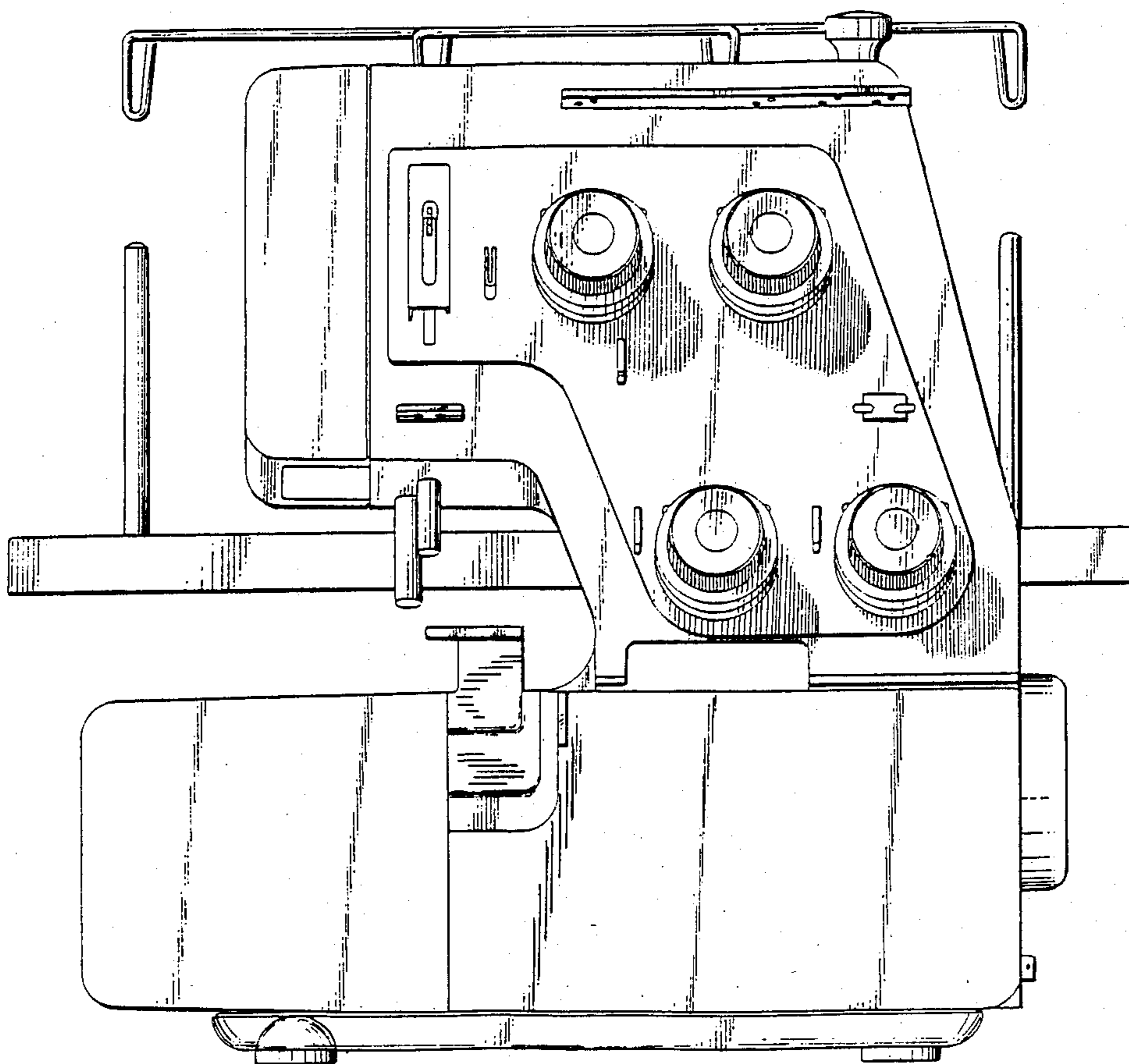


FIG. 2

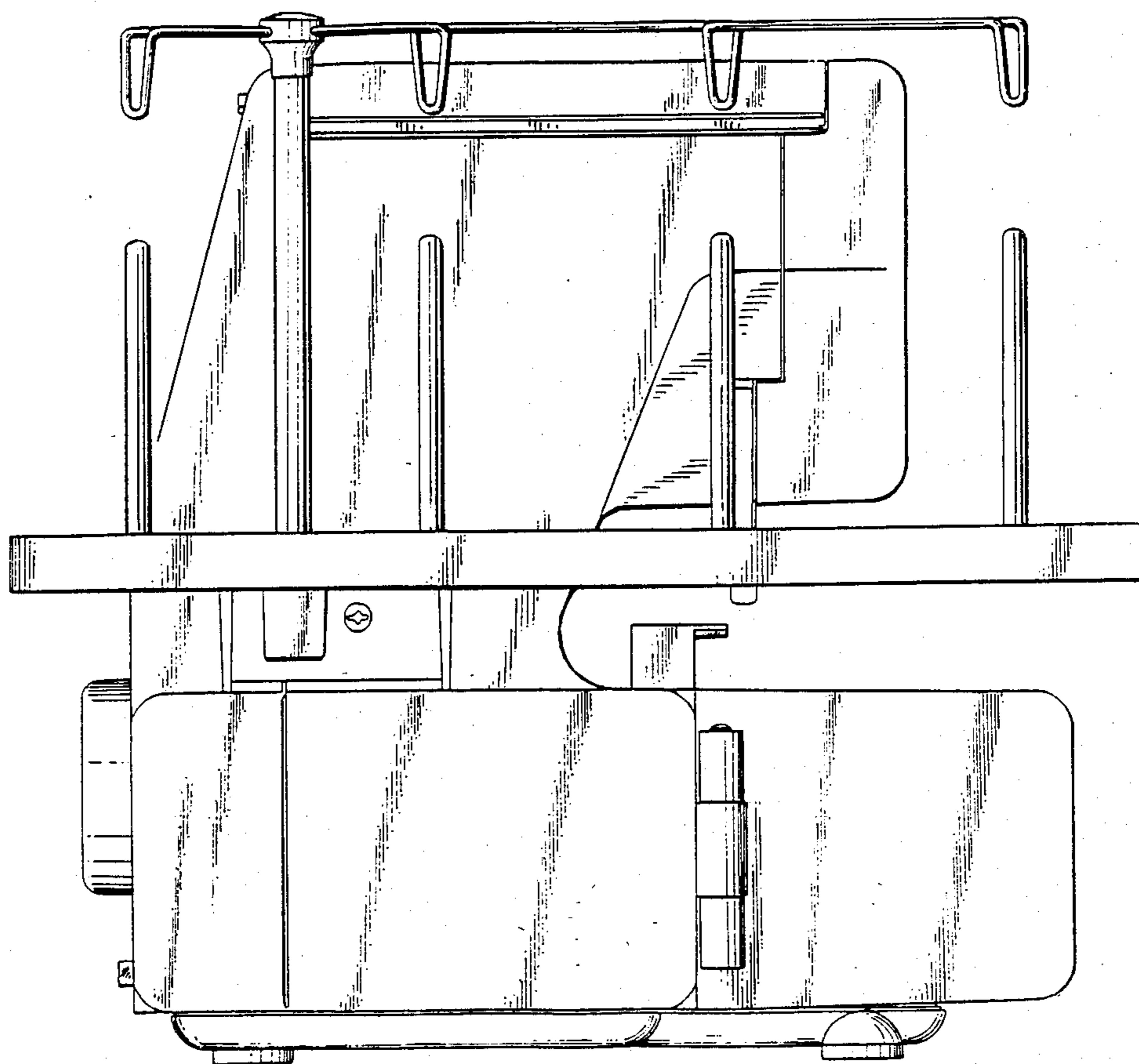
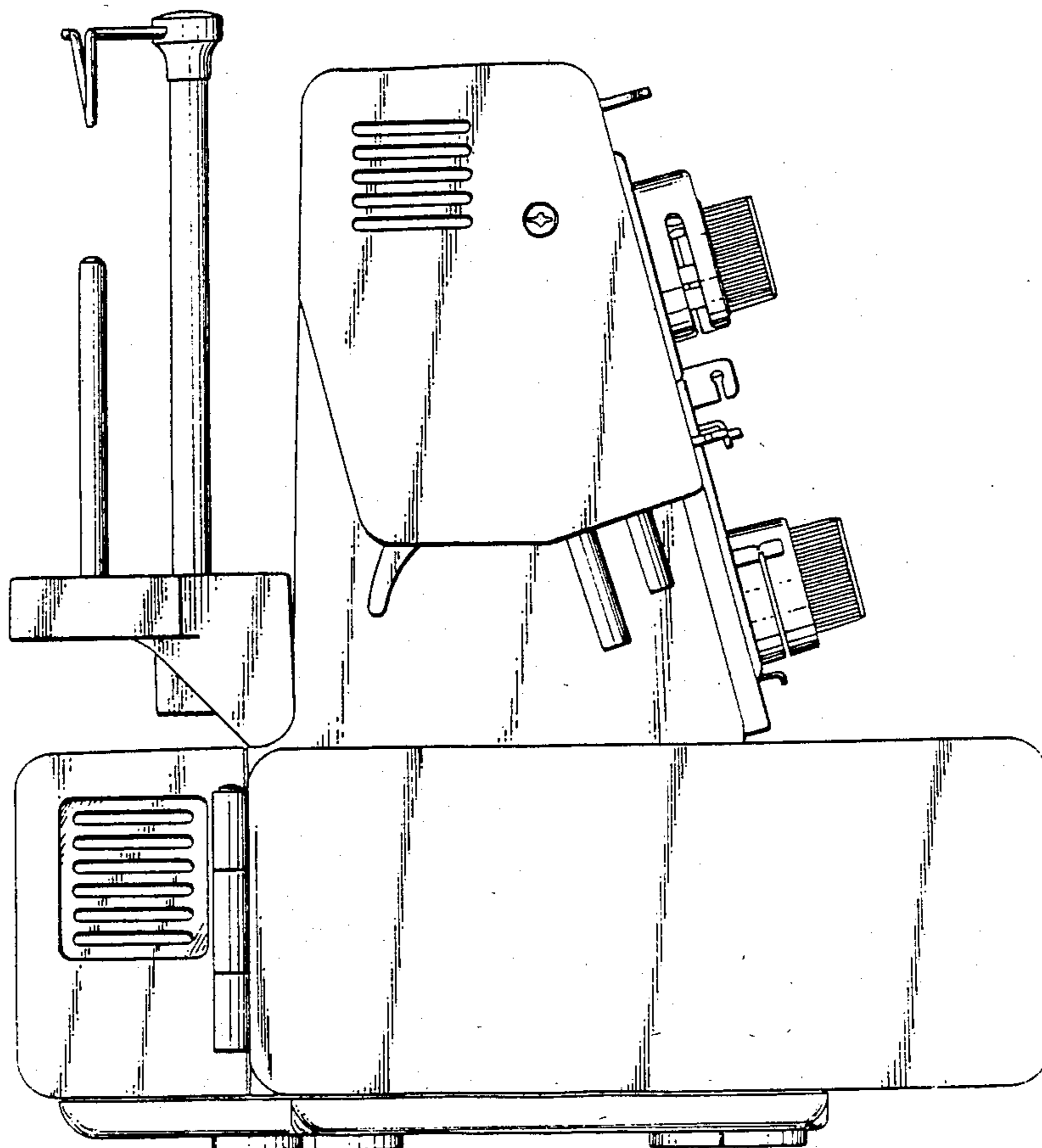


FIG. 3



FIG_4

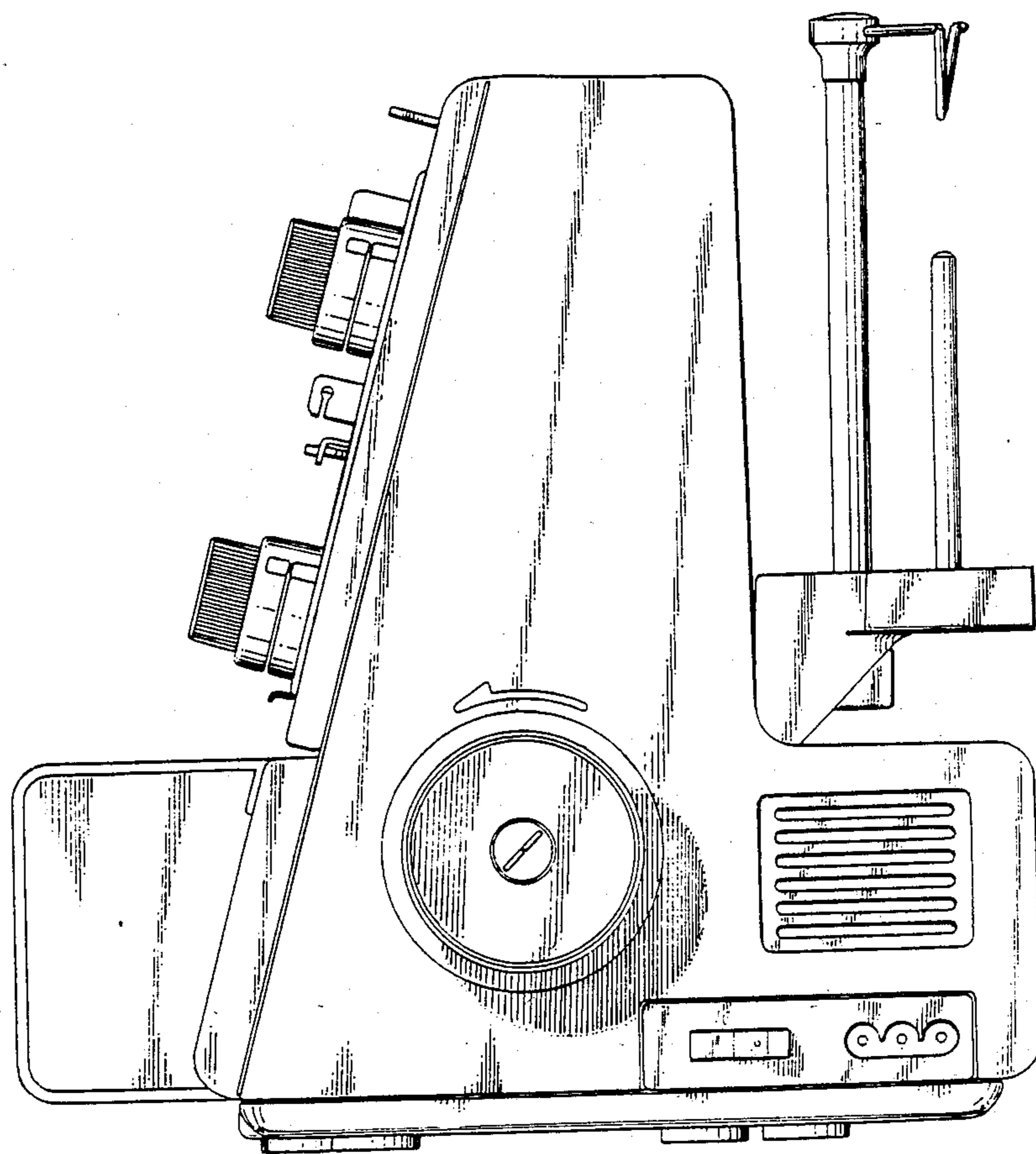
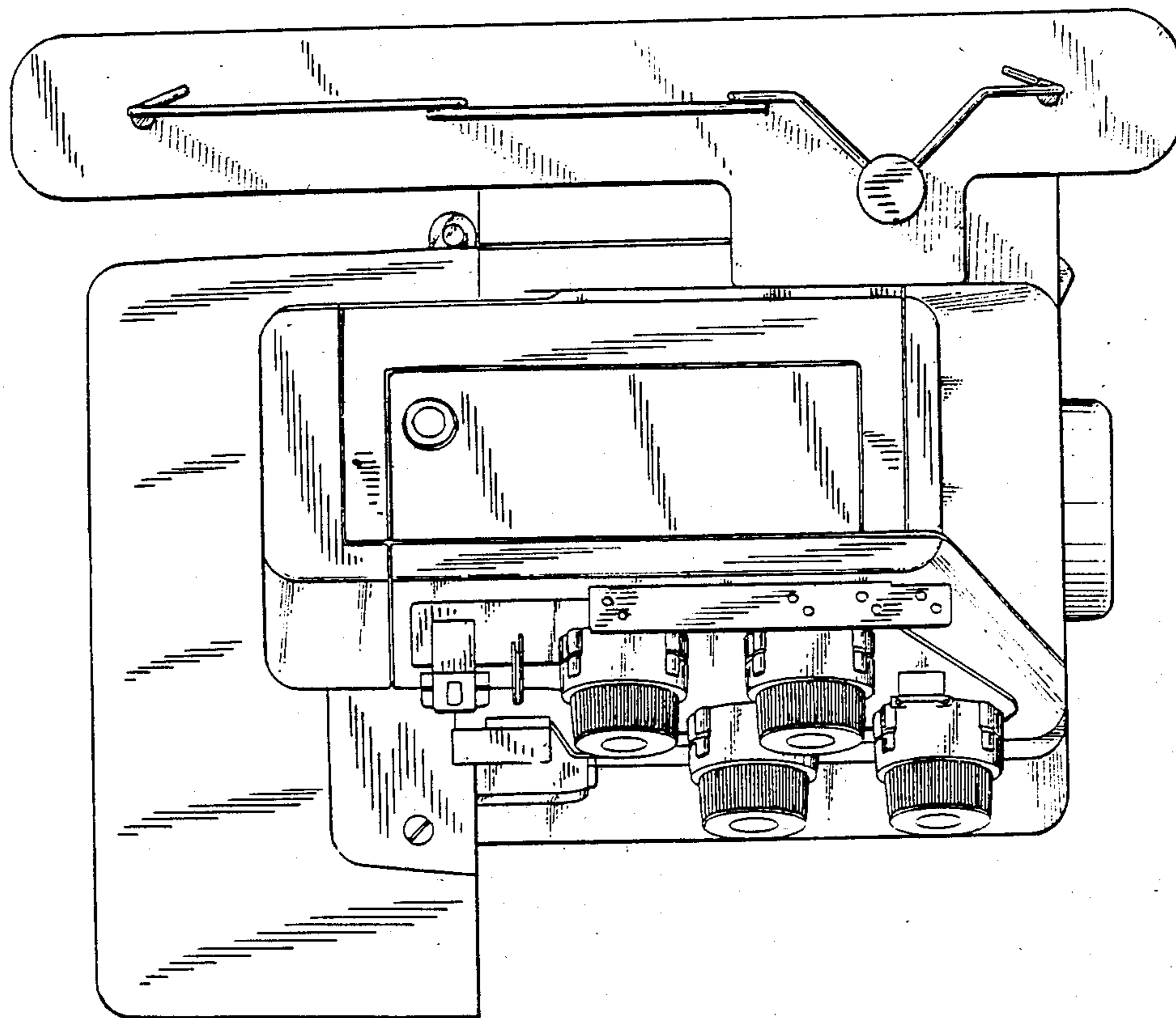


FIG. 5



FIG_6

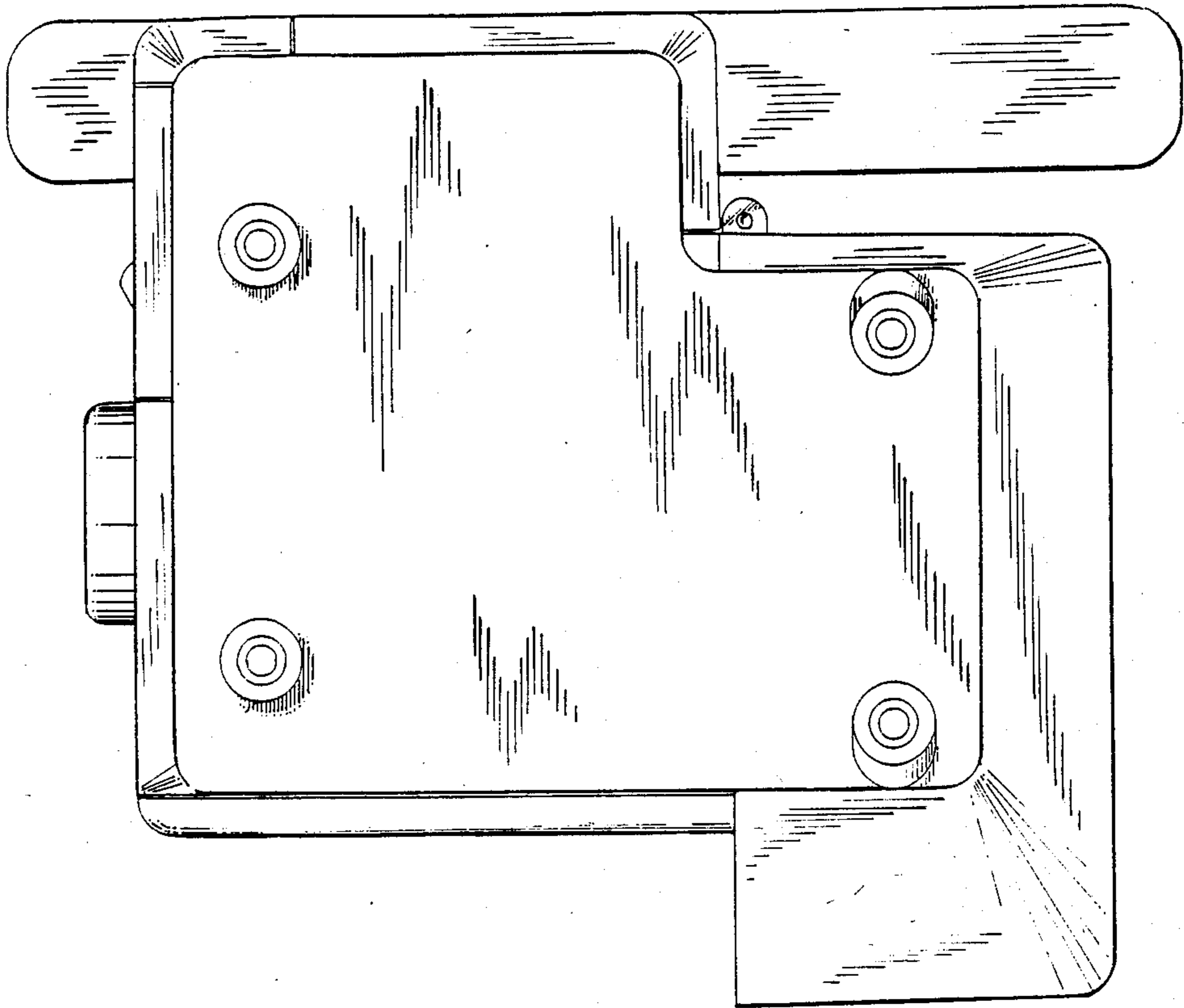


FIG. 7

