

[54] GRAPPLE WITH REPLACEMENT TIP THEREFOR

[76] Inventor: Joseph R. Hunter, R.D. #2, Box 121, Honeybrook, Pa. 19344

[**] Term: 14 Years

[21] Appl. No.: 239,858

[22] Filed: Sep. 2, 1988

[52] U.S. Cl. D15/32; D34/35

[58] Field of Search D15/28, 32; D34/35; 144/2 N; 254/127; 414/722, 729, 739

[56] References Cited

U.S. PATENT DOCUMENTS

- 4,242,037 12/1980 Baumgarten 414/739
- 4,365,927 12/1982 Schenck 414/729

- 4,542,929 9/1985 Possinger 414/739
- 4,818,005 4/1989 Purser 414/739

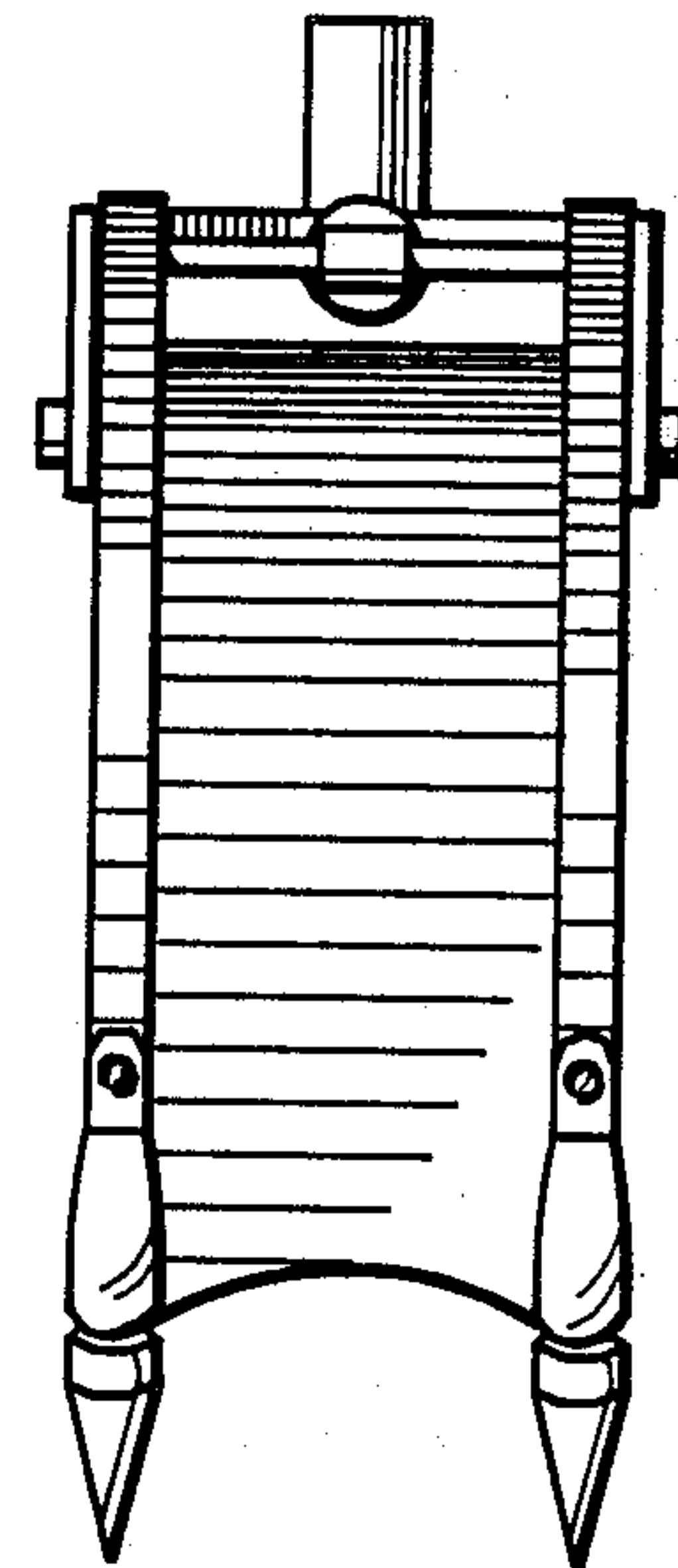
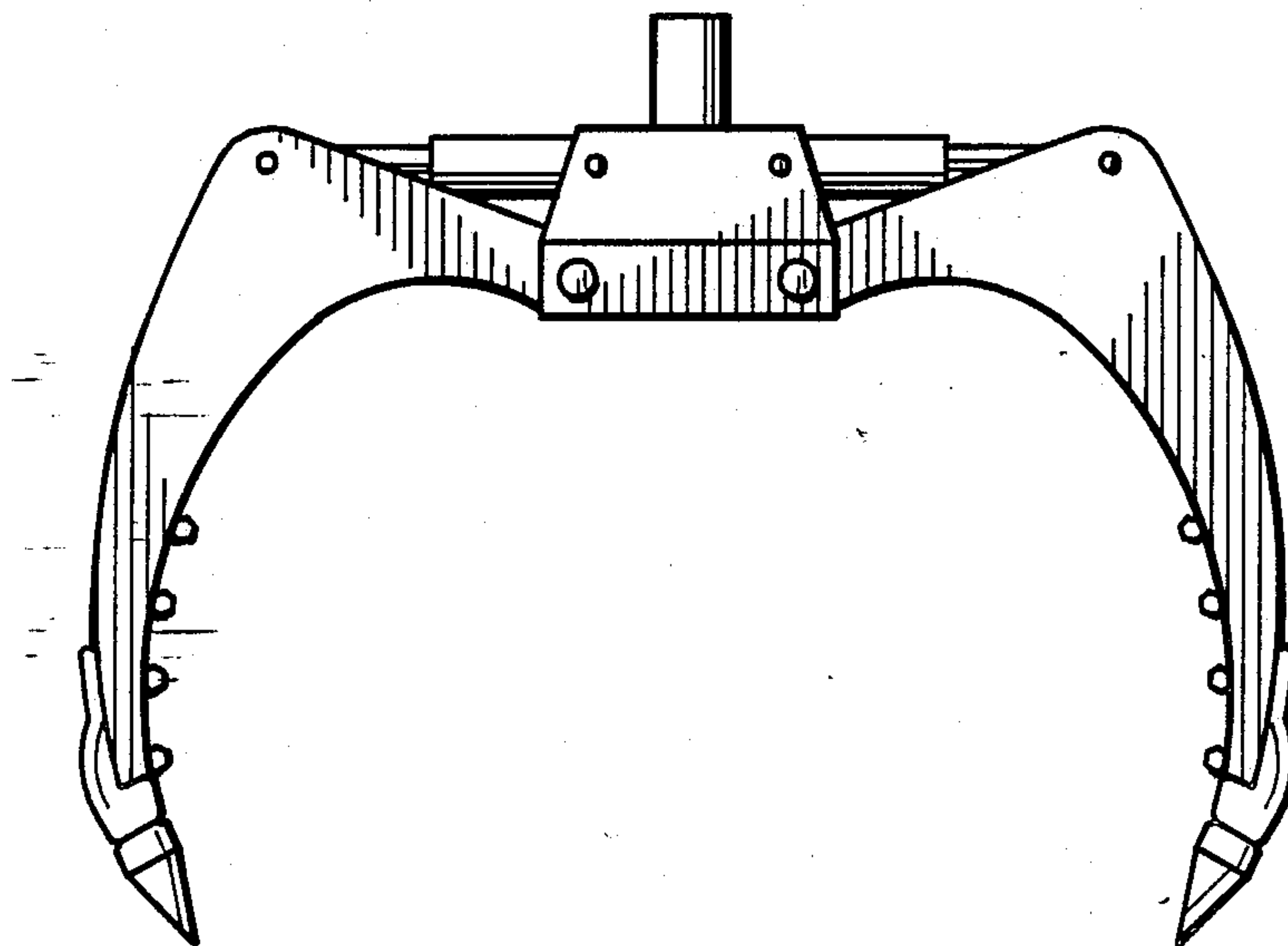
Primary Examiner—B. J. Bullock
Assistant Examiner—Sandra Morris
Attorney, Agent, or Firm—Jerry T. Kearns

[57] CLAIM

The ornamental design for a grapple with replacement tip therefor, as shown and described.

DESCRIPTION

FIG. 1 is a front elevational view of a grapple with replacement tip therefor showing my new design; FIG. 2 is a rear elevational view thereof; FIG. 3 is a left side elevational view thereof; FIG. 4 is a right side elevational view thereof; FIG. 5 is a top plan view thereof; and, FIG. 6 is a bottom plan view thereof.



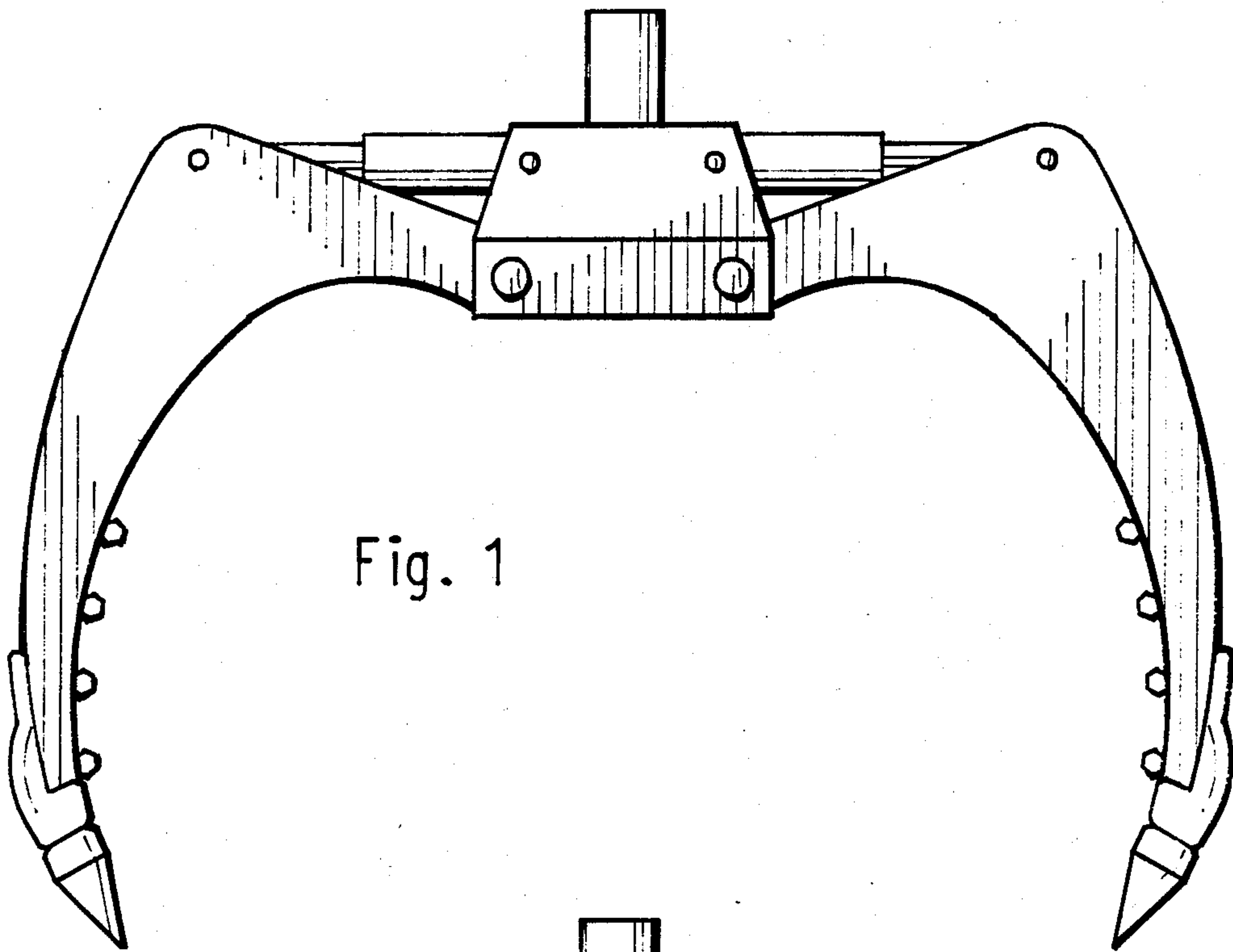


Fig. 1

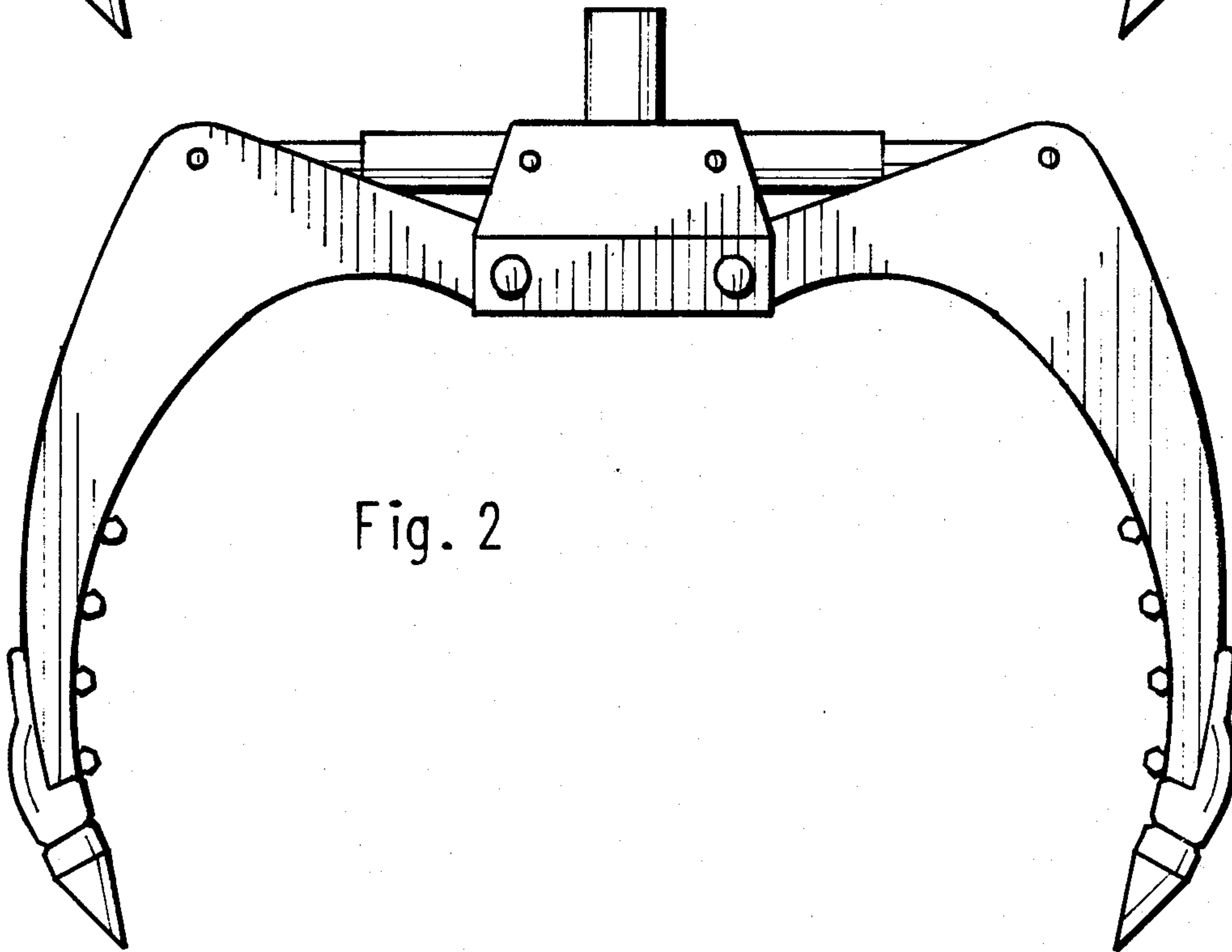


Fig. 2

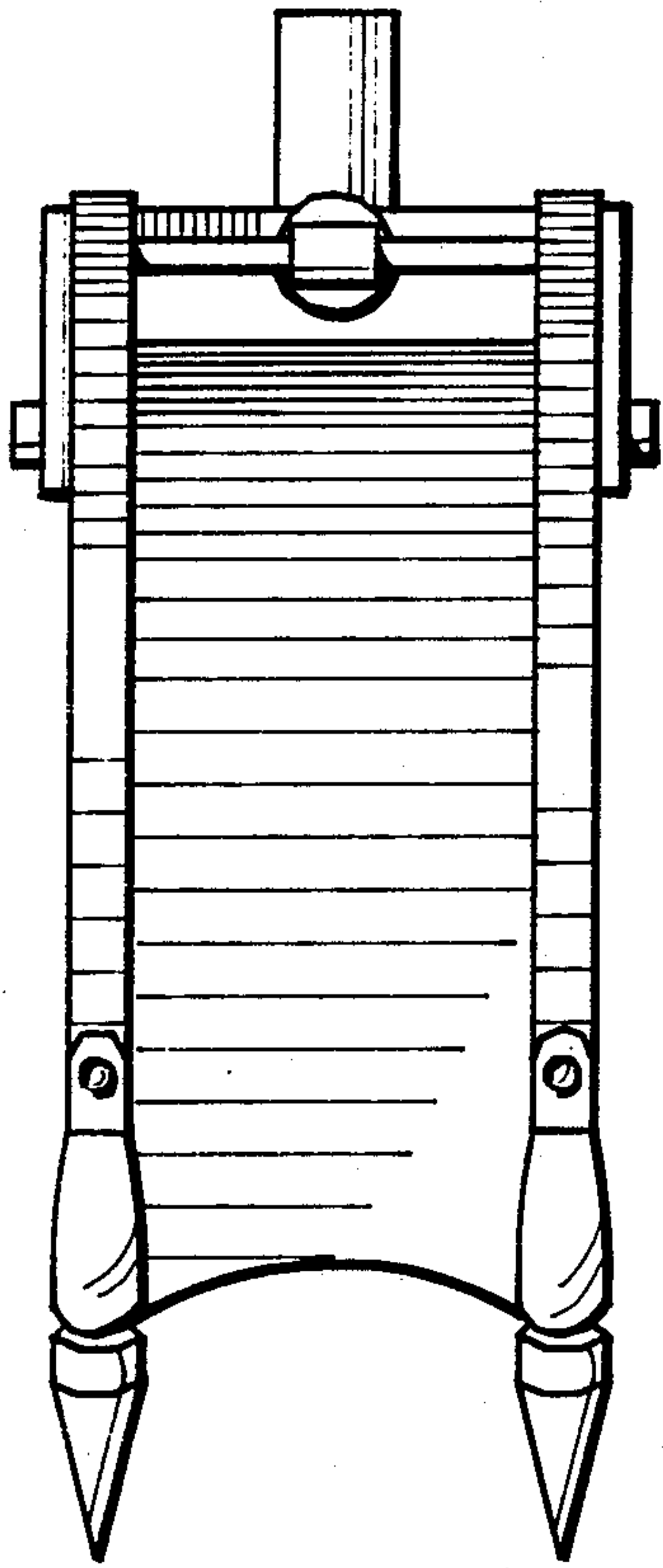


Fig. 3

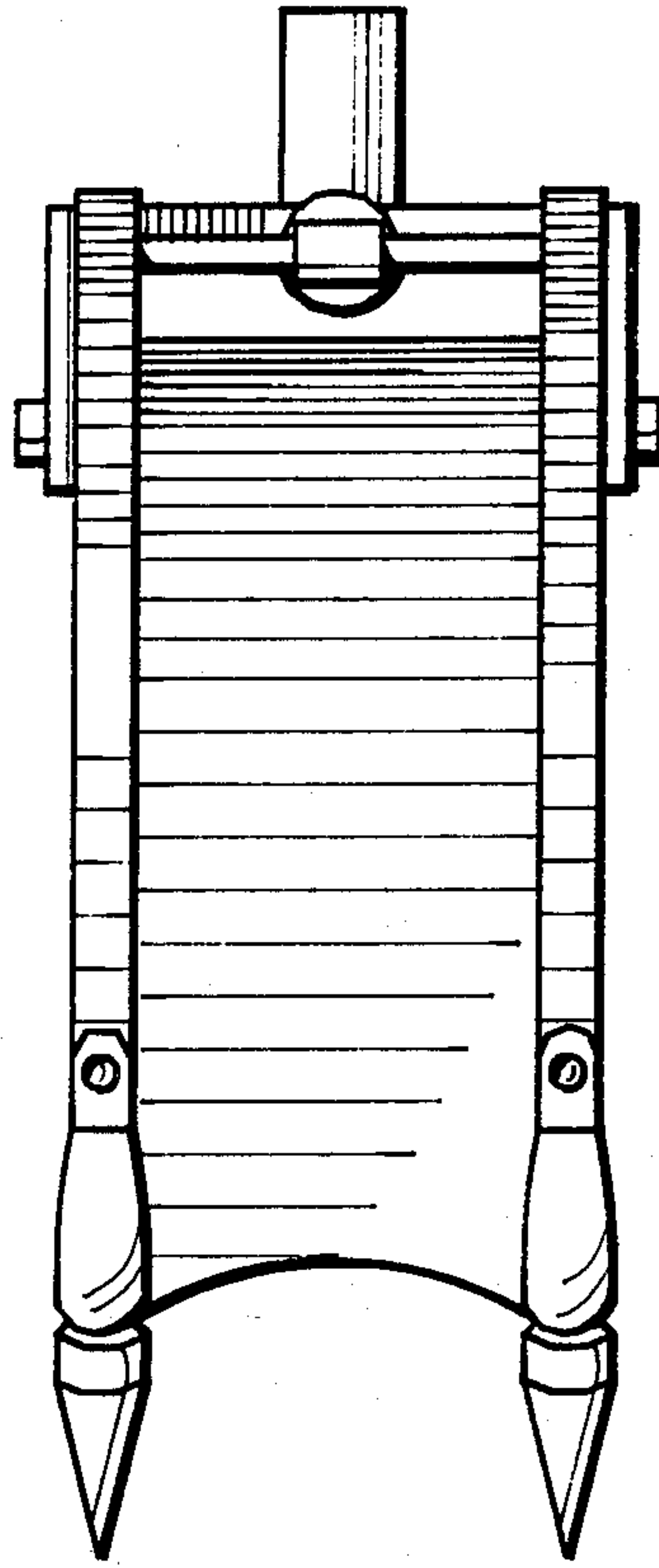


Fig. 4

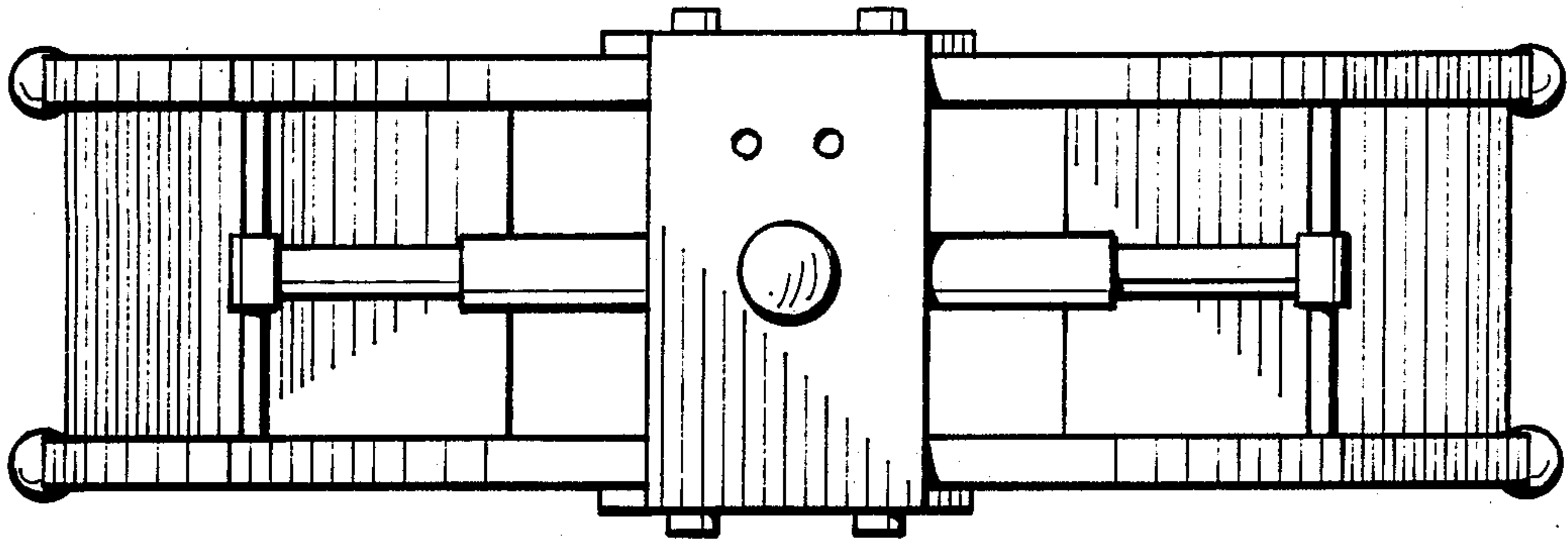


Fig. 5

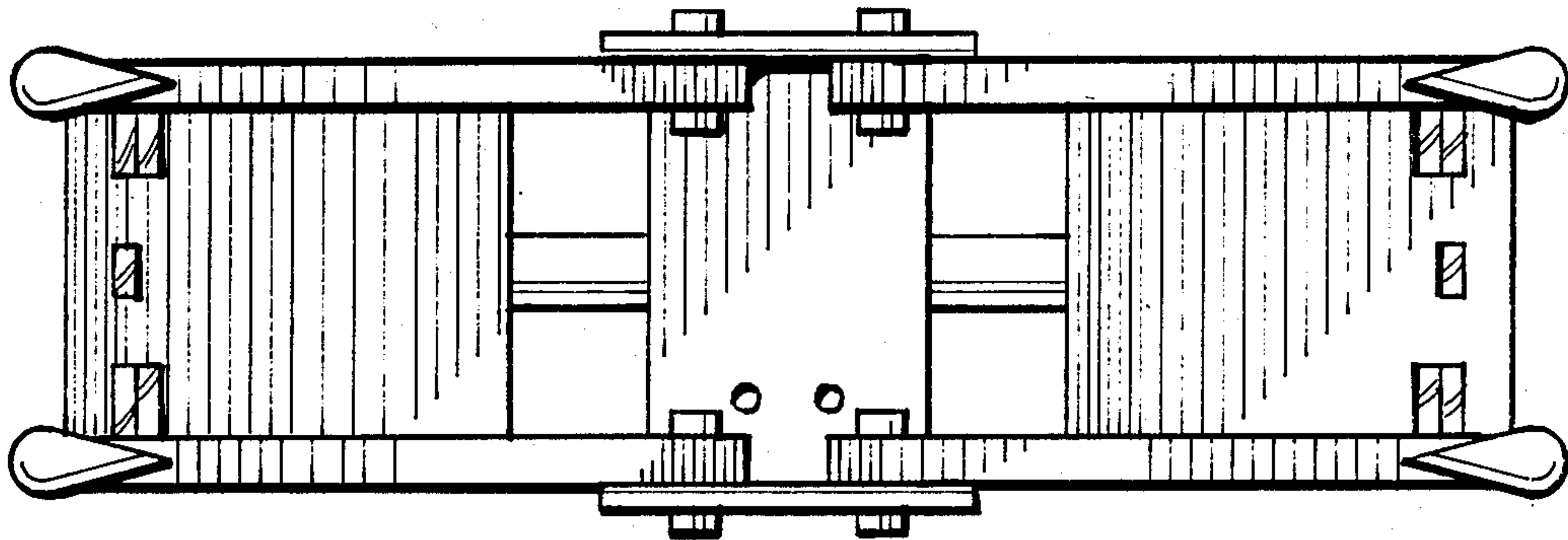


Fig. 6