

[54] FRAME FOR A DISK HARROW OR SIMILAR IMPLEMENT

[75] Inventors: James A. Swartzendruber, West Bend, Wis.; Warren L. Thompson, Ankeny; Donald R. Peck, Clive, both of Iowa

[73] Assignee: Deere & Company, Moline, Ill.

[**] Term: 14 Years

[21] Appl. No.: 211,529

[22] Filed: Jun. 23, 1988

[52] U.S. Cl. D15/11; D15/27

[58] Field of Search D15/10, 11, 27, 33; 171/71, 75, 80; 172/581, 595

[56] References Cited

U.S. PATENT DOCUMENTS

D. 234,619	3/1975	Oelschlaeger et al.	D39/1 A
2,708,333	5/1955	Cooney	172/595
2,800,757	7/1955	Tufford	172/595
3,454,106	7/1969	Youngberg et al.	172/595
3,730,280	5/1973	Oelschlaeger	172/594

FOREIGN PATENT DOCUMENTS

0192917 9/1986 European Pat. Off. 172/595

OTHER PUBLICATIONS

McCormick-Deering Tillage Tools Catalog 1940, p. 4, lower left.

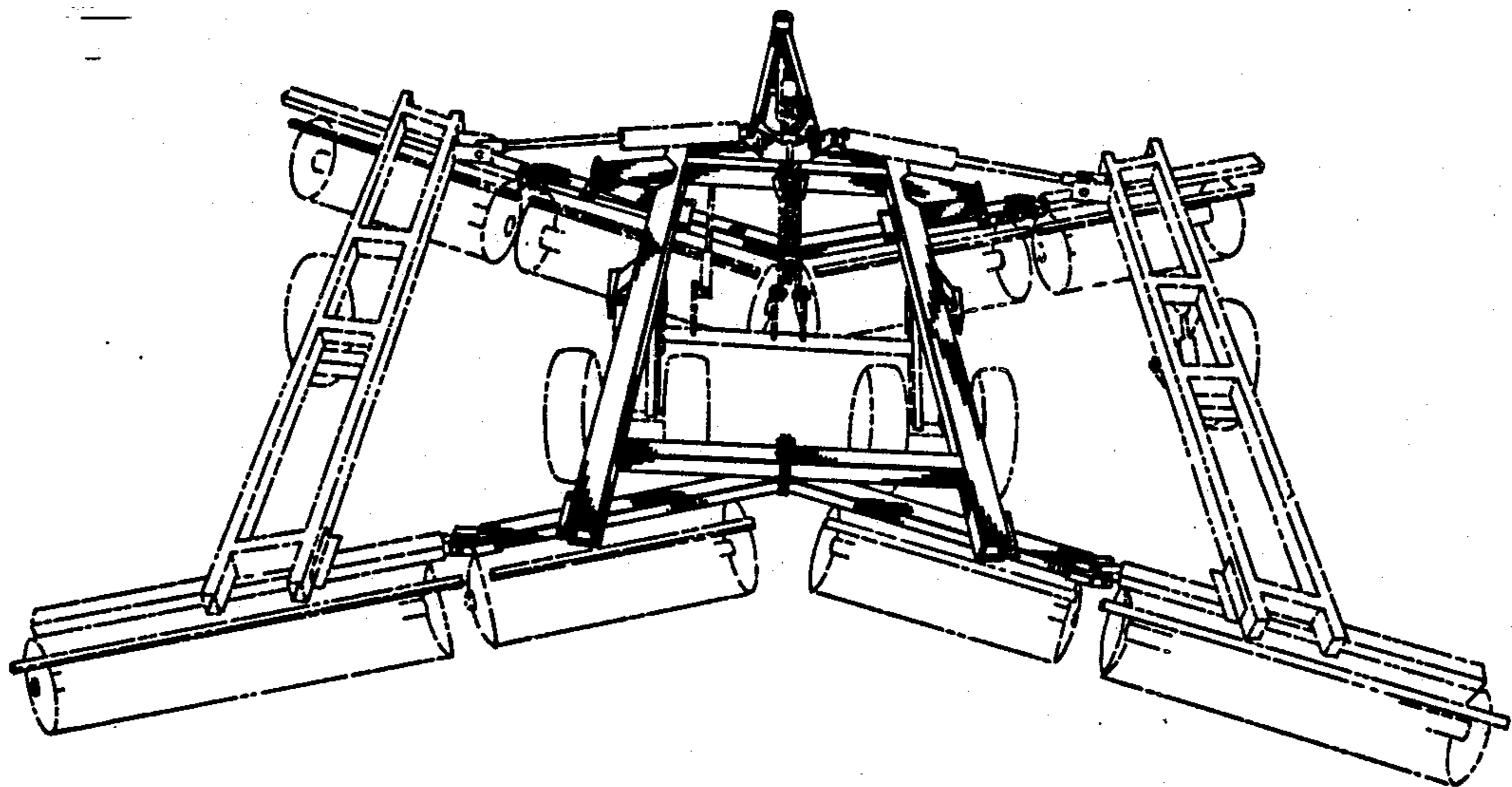
Primary Examiner—B. J. Bullock
Assistant Examiner—Sandra Morris

[57] CLAIM

The ornamental design for a frame for a disk harrow or similar implement, as shown and described.

DESCRIPTION

FIG. 1 is a rear perspective view of a frame for a disk harrow or similar implement, showing our new design; FIG. 2 is a top view thereof; FIG. 3 is a left side view thereof; FIG. 4 is a right side view thereof; FIG. 5 is a front view thereof; FIG. 6 is a rear view thereof. The broken lines showing of the disk harrow in FIG. 1 is for illustrative purposes only and forms no part of the claimed design.



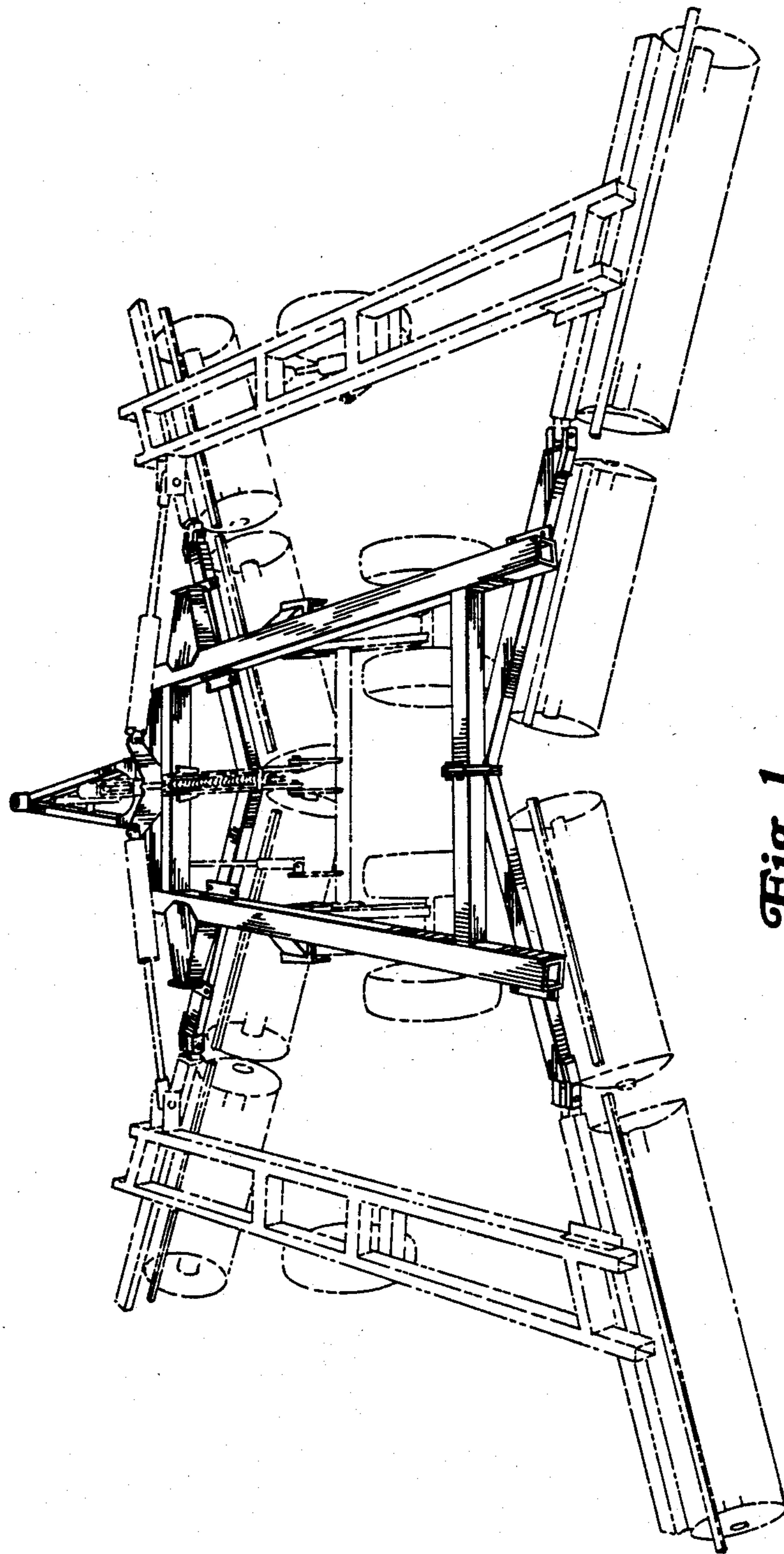
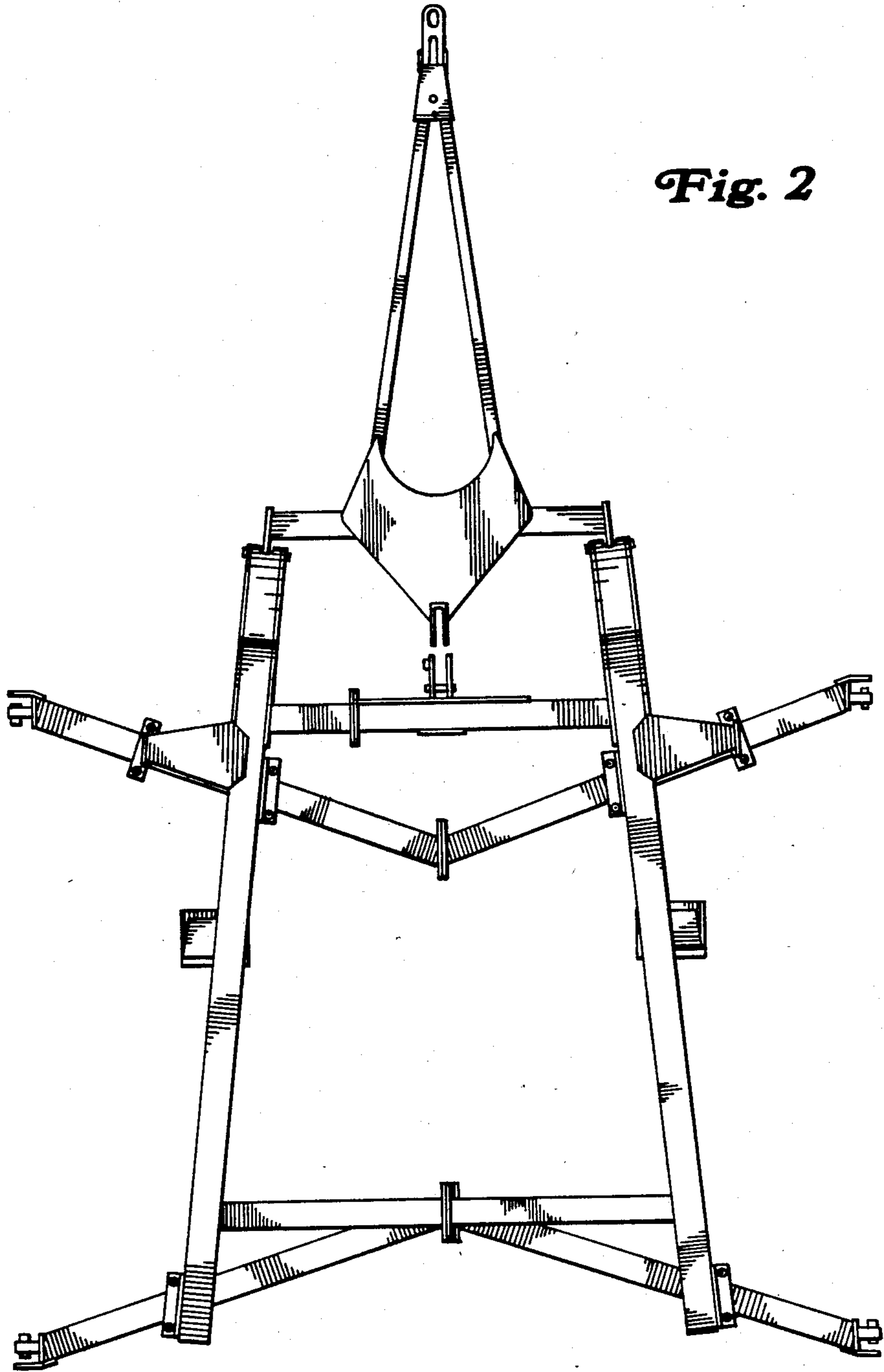


Fig. 1

Fig. 2



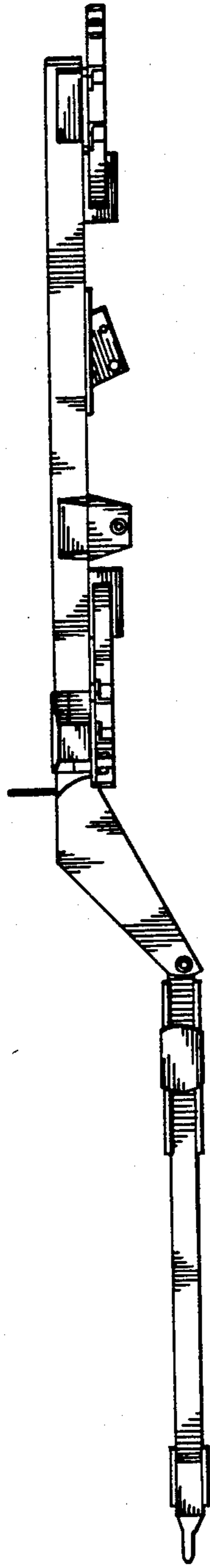


Fig. 3

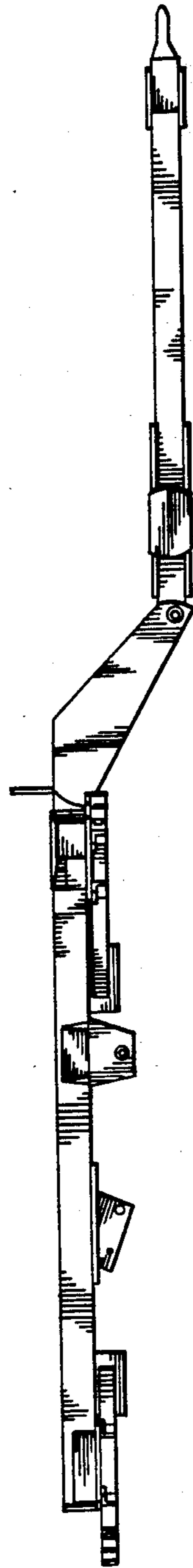


Fig. 4

Fig. 5

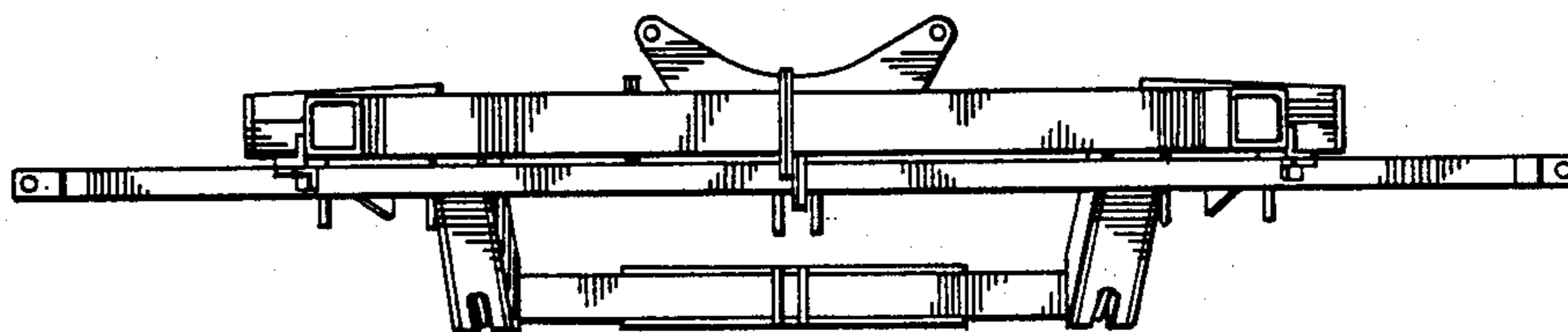
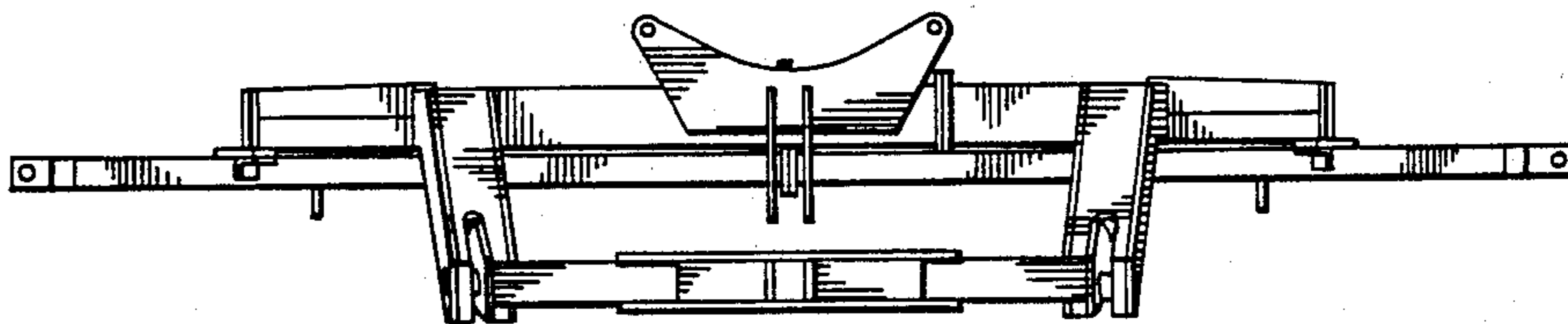


Fig. 6