

[54] CONTINUOUS DRIER FOR BULK MATERIAL

3,600,820 8/1971 Klein 34/174
4,141,155 2/1979 Benzon 34/174

[75] Inventor: John W. Vanden Bos, Holland, Mich.

Primary Examiner—Nelson C. Holtje
Assistant Examiner—Ruth Takemoto
Attorney, Agent, or Firm—Flynn, Thiel, Boutell & Tanis

[73] Assignee: JWI, Inc., Holland, Mich.

[**] Term: 14 Years

[57] CLAIM

[21] Appl. No.: 86,165

The ornamental design for a continuous drier for bulk material, as shown and described.

[22] Filed: Sep. 28, 1987

[52] U.S. Cl. D15/10

DESCRIPTION

[58] Field of Search D32/1, 25, 29-30;
34/174, 179, 181, 203, 209; D15/10; 15/3.13,
3.16; D23/209, 210

FIG. 1 is a left side elevational view of a continuous drier for bulk material showing my new design;
FIG. 2 is a front elevational view thereof;
FIG. 3 is a rear elevational view thereof;
FIG. 4 is a top plan view thereof;
FIG. 5 is a right side elevational view thereof; and
FIG. 6 is a top, front and left side perspective view thereof.

[56] References Cited

U.S. PATENT DOCUMENTS

D. 288,692 3/1987 Wysolmierski D23/209
3,097,382 7/1963 Angle 15/3.13

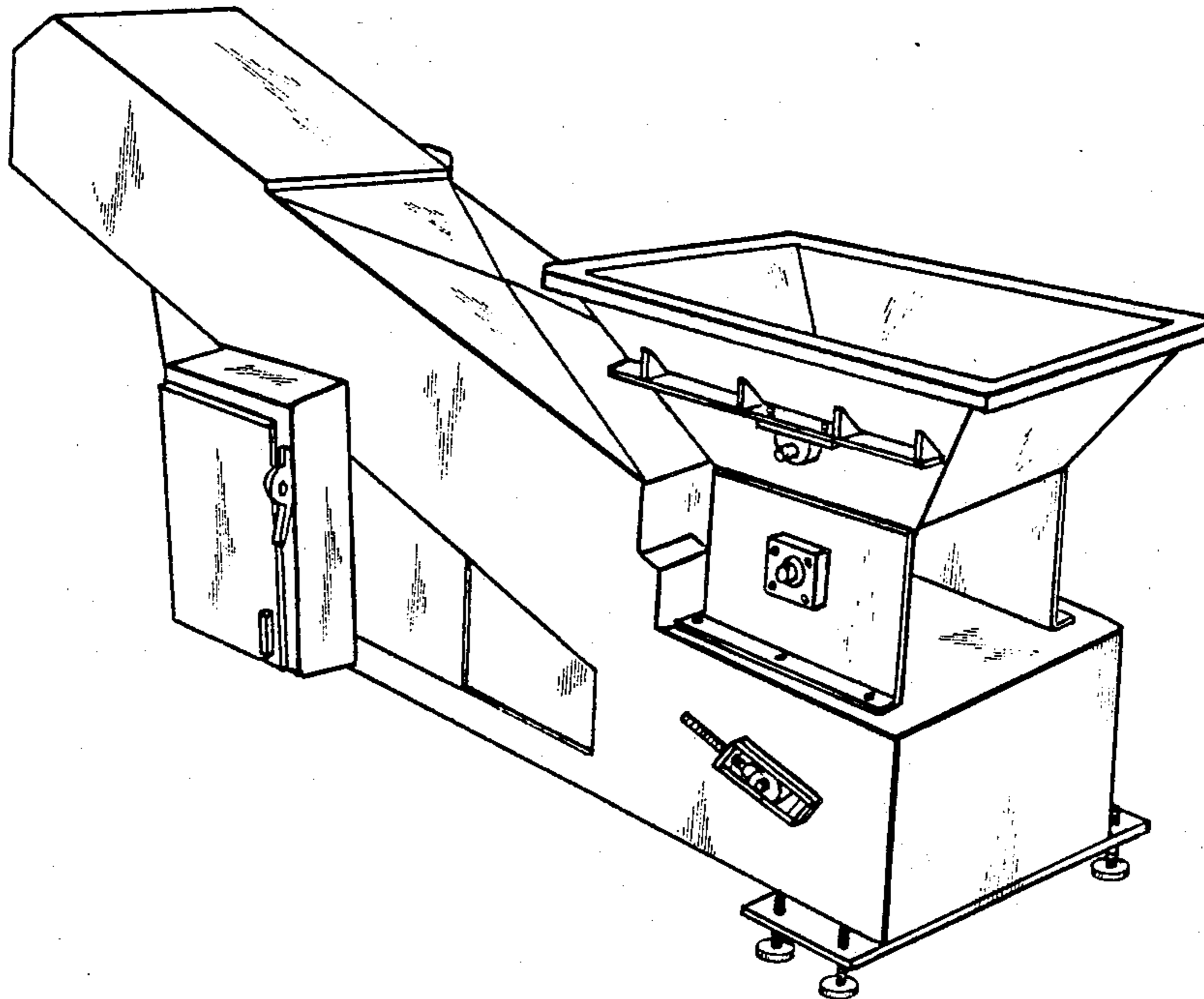


FIG. 1

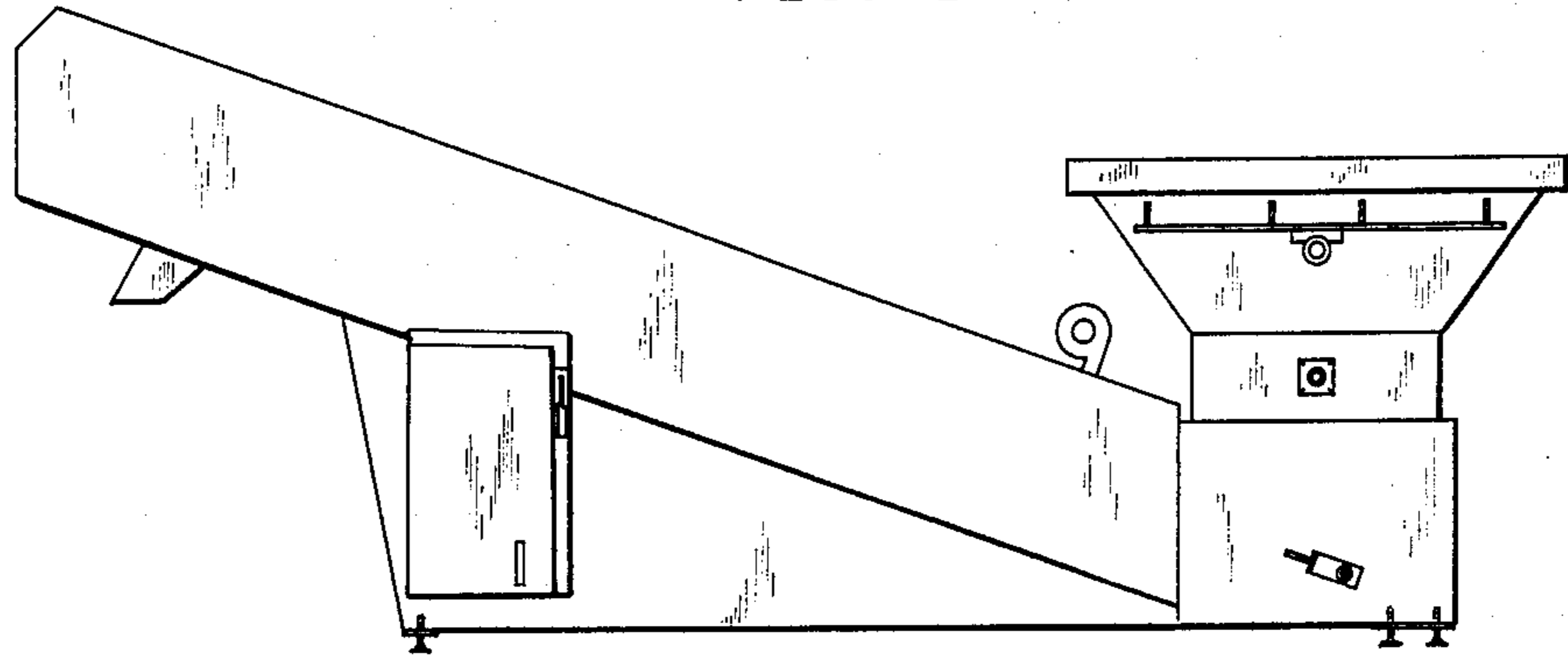


FIG. 2

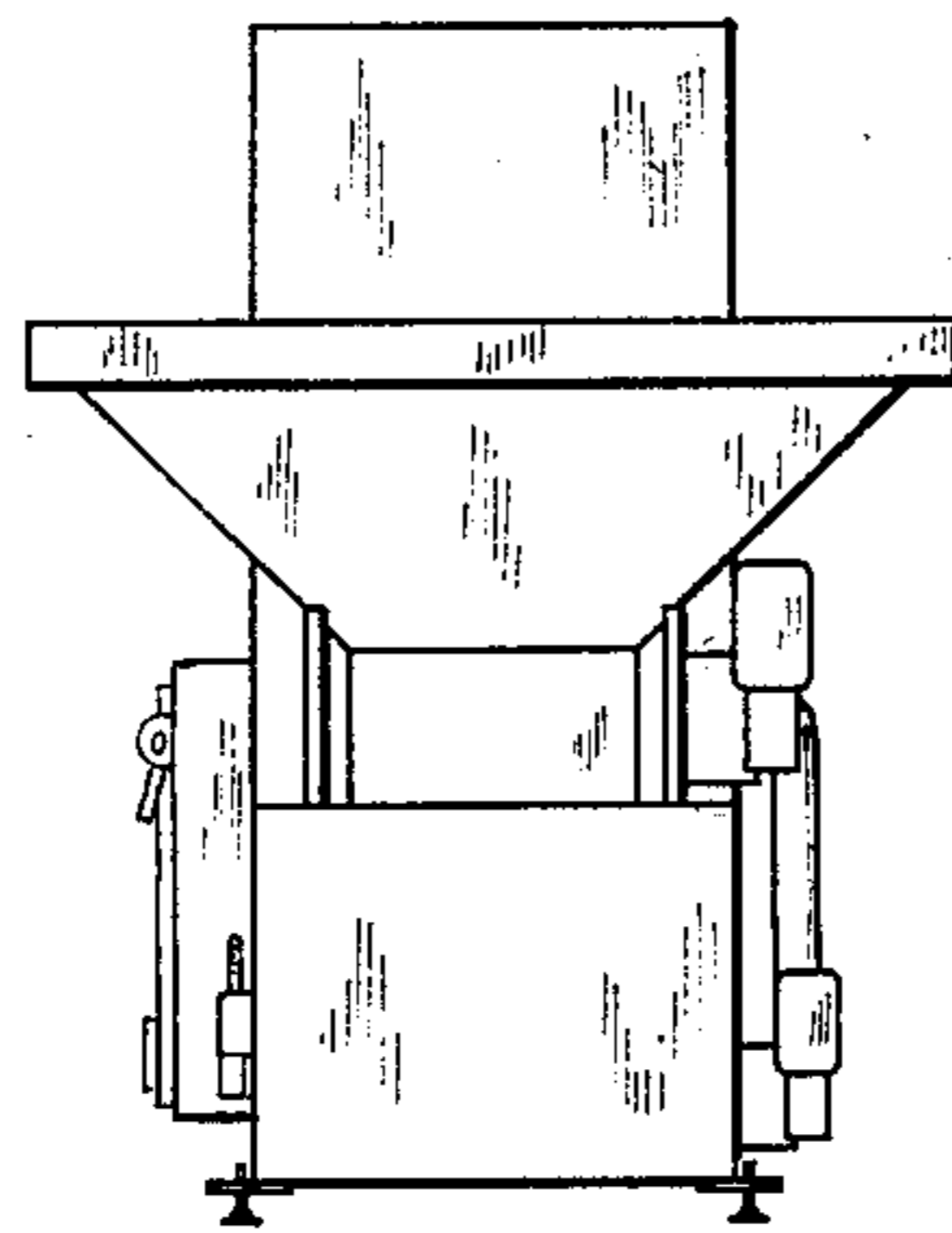


FIG. 3

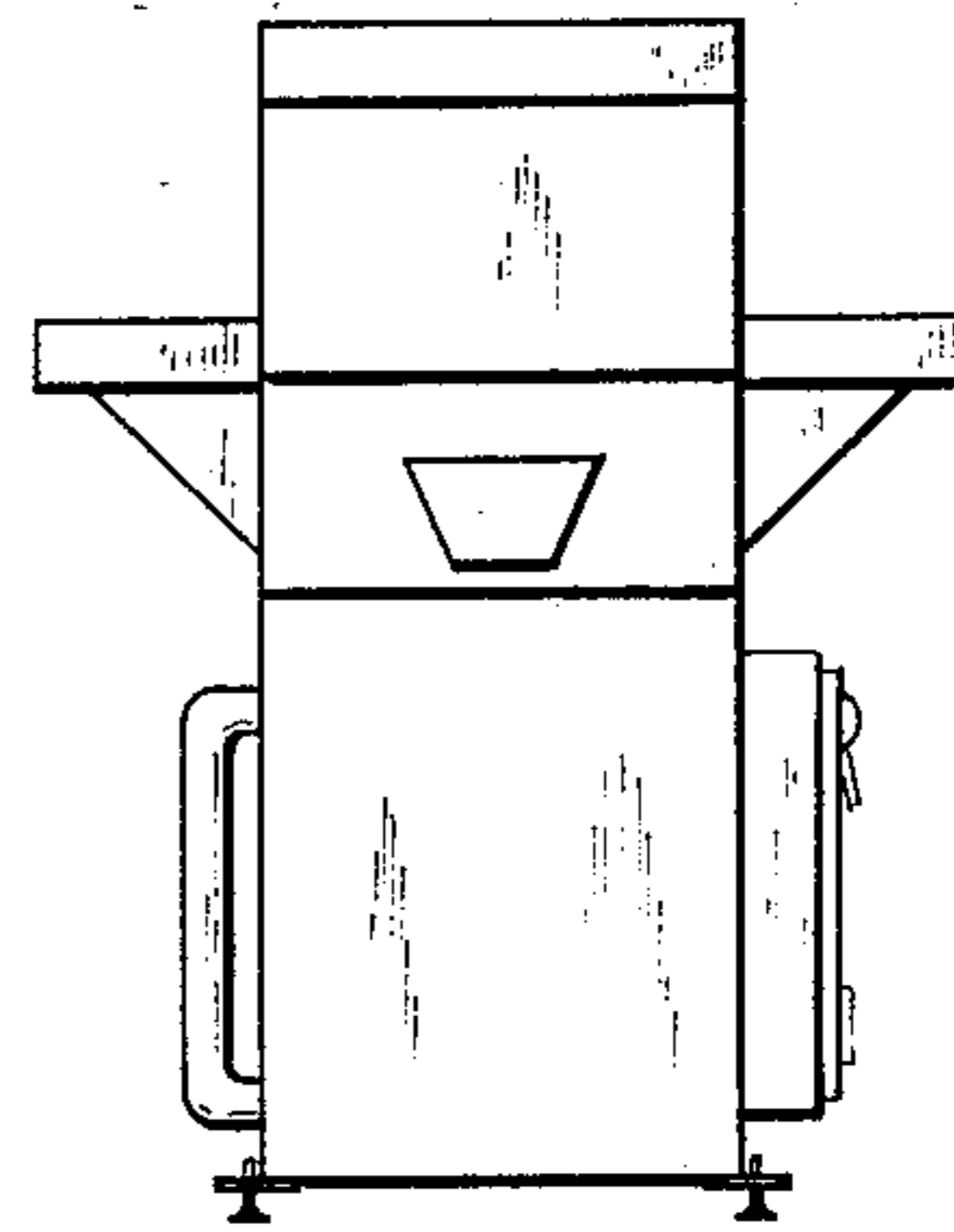


FIG. 4

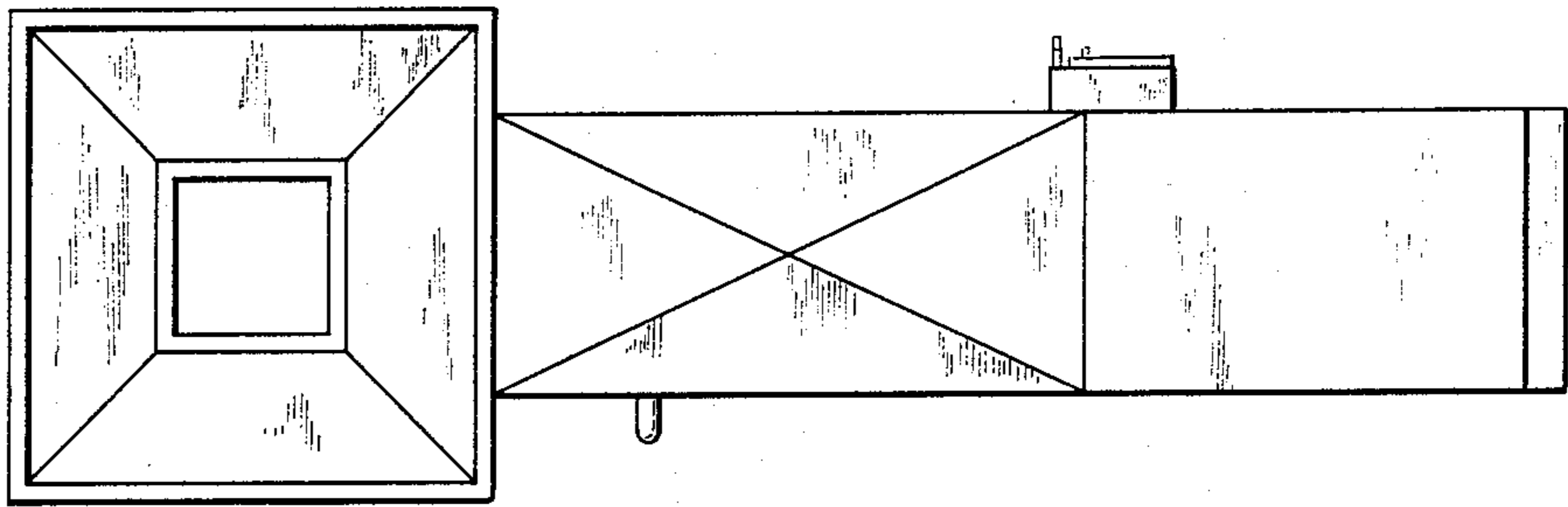


FIG. 5

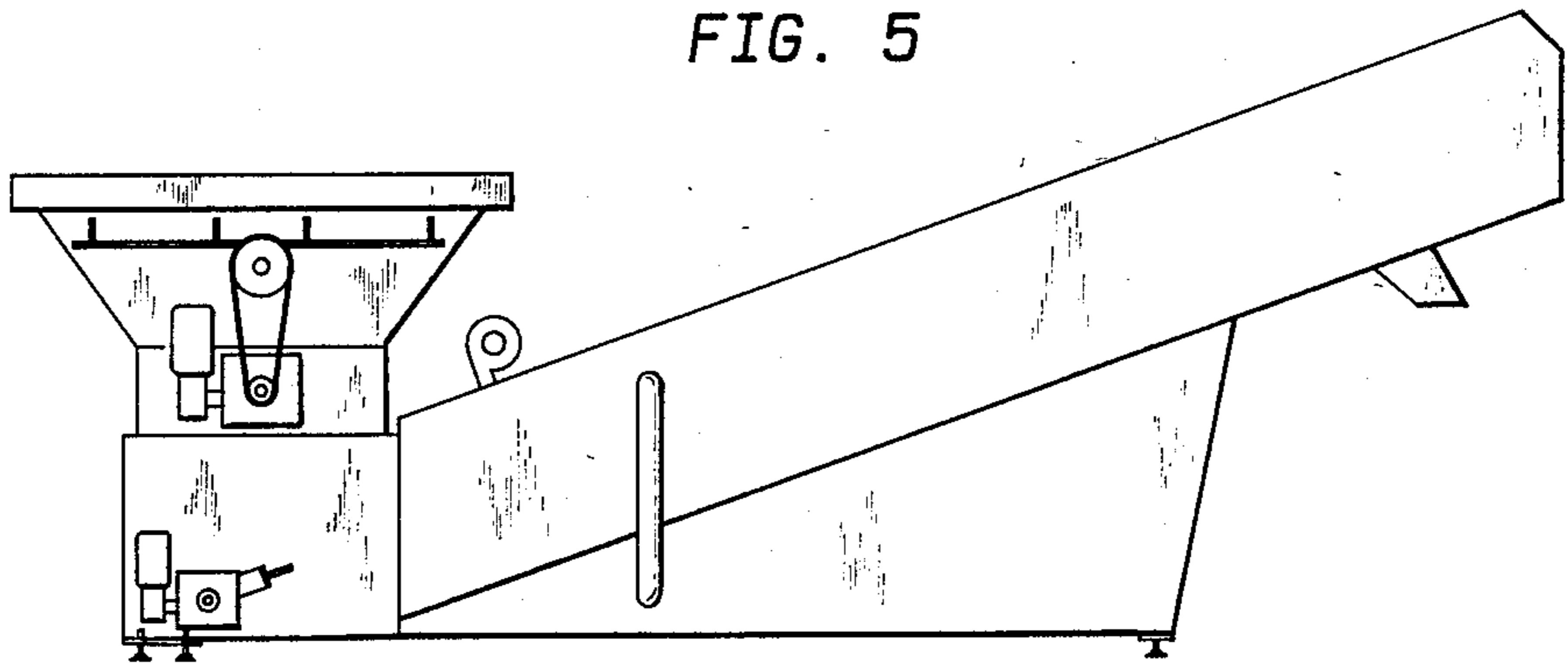


FIG. 6

