

[54] BATTERY PACK

[75] Inventor: William H. Schultz, Northbrook, Ill.

[73] Assignee: Skil Corporation, Chicago, Ill.

[**] Term: 14 Years

[21] Appl. No.: 48,125

[22] Filed: May 11, 1987

[52] U.S. Cl. D13/11; D13/8

[58] Field of Search D13/4, 8, 9-11; D14/137; D8/61, 68; 429/27, 54, 97-100, 123, 133, 149, 151, 153, 159, 160, 163, 176; 307/150; 320/2

[56] References Cited

U.S. PATENT DOCUMENTS

- D. 237,973 12/1975 Stern D13/8
- D. 240,433 7/1976 Krapowicz D13/8 X
- D. 265,985 8/1982 House, II D13/4

- D. 300,502 4/1989 Schultz D8/68
- 3,186,878 3/1962 Filander 429/97

OTHER PUBLICATIONS

Black & Decker Cordless Drill ad, 7-16-76.

Primary Examiner—Susan J. Lucas

Assistant Examiner—Joel Sincavage

Attorney, Agent, or Firm—Jones, Day, Reavis & Pogue

[57] CLAIM

The ornamental design for a battery pack, as shown.

DESCRIPTION

FIG. 1 is a perspective view of a battery pack showing my design;

FIG. 2 is a left side elevational view thereof;

FIG. 3 is a front elevational view thereof;

FIG. 4 is a right side elevational view thereof;

FIG. 5 is a rear elevational view thereof;

FIG. 6 is a top plan view thereof; and

FIG. 7 is a bottom plan view thereof.

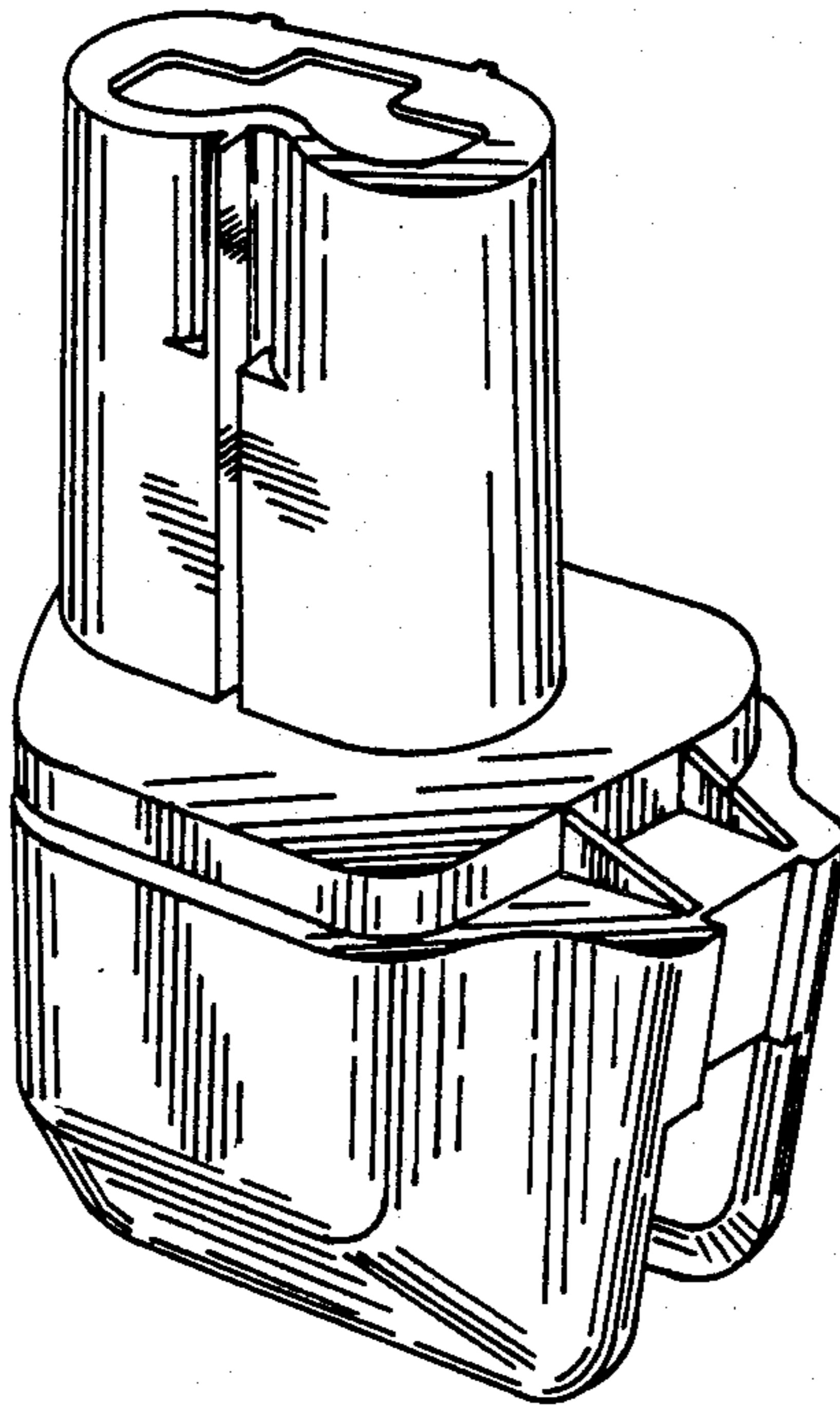


FIG. 1.

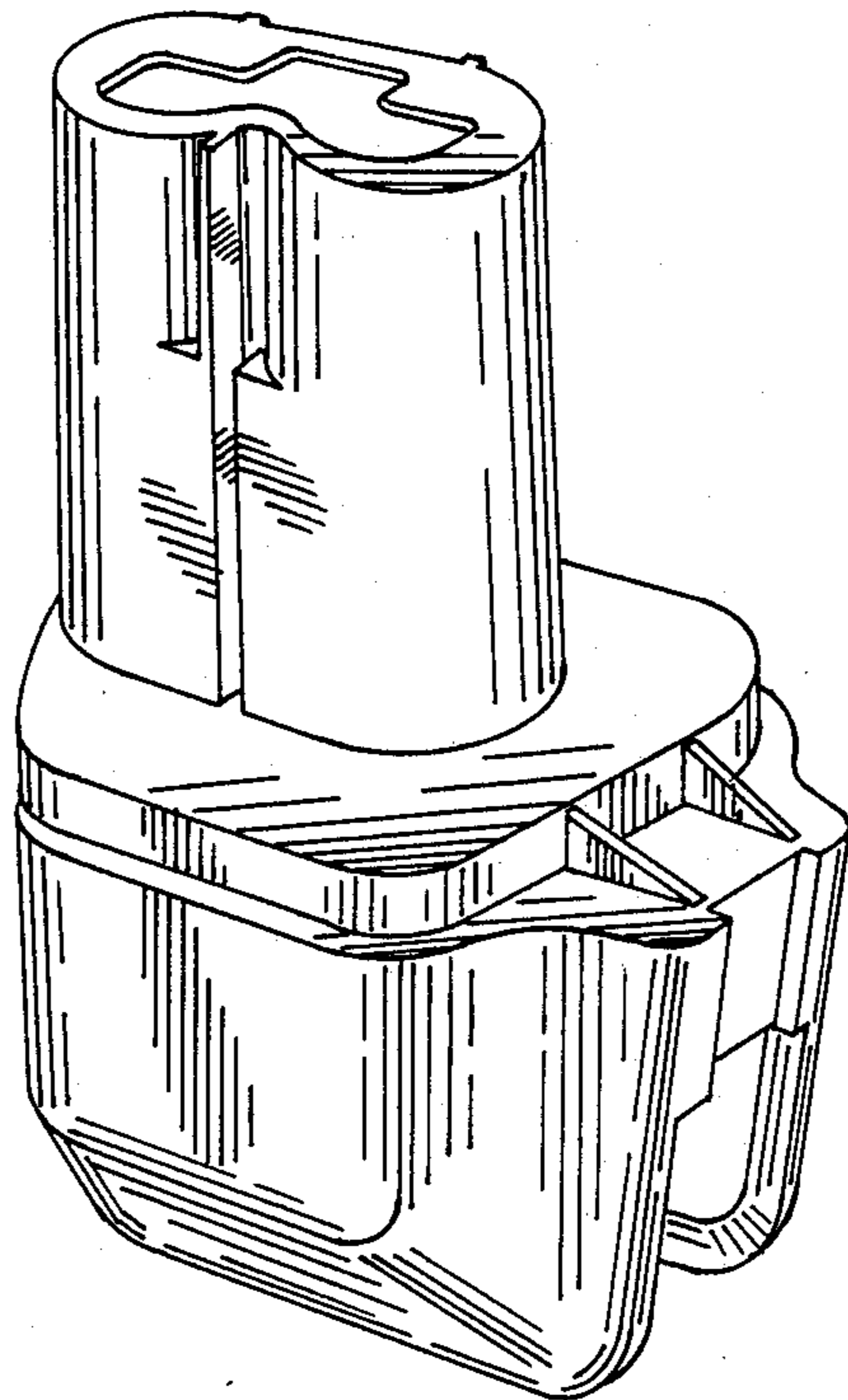


FIG. 2.

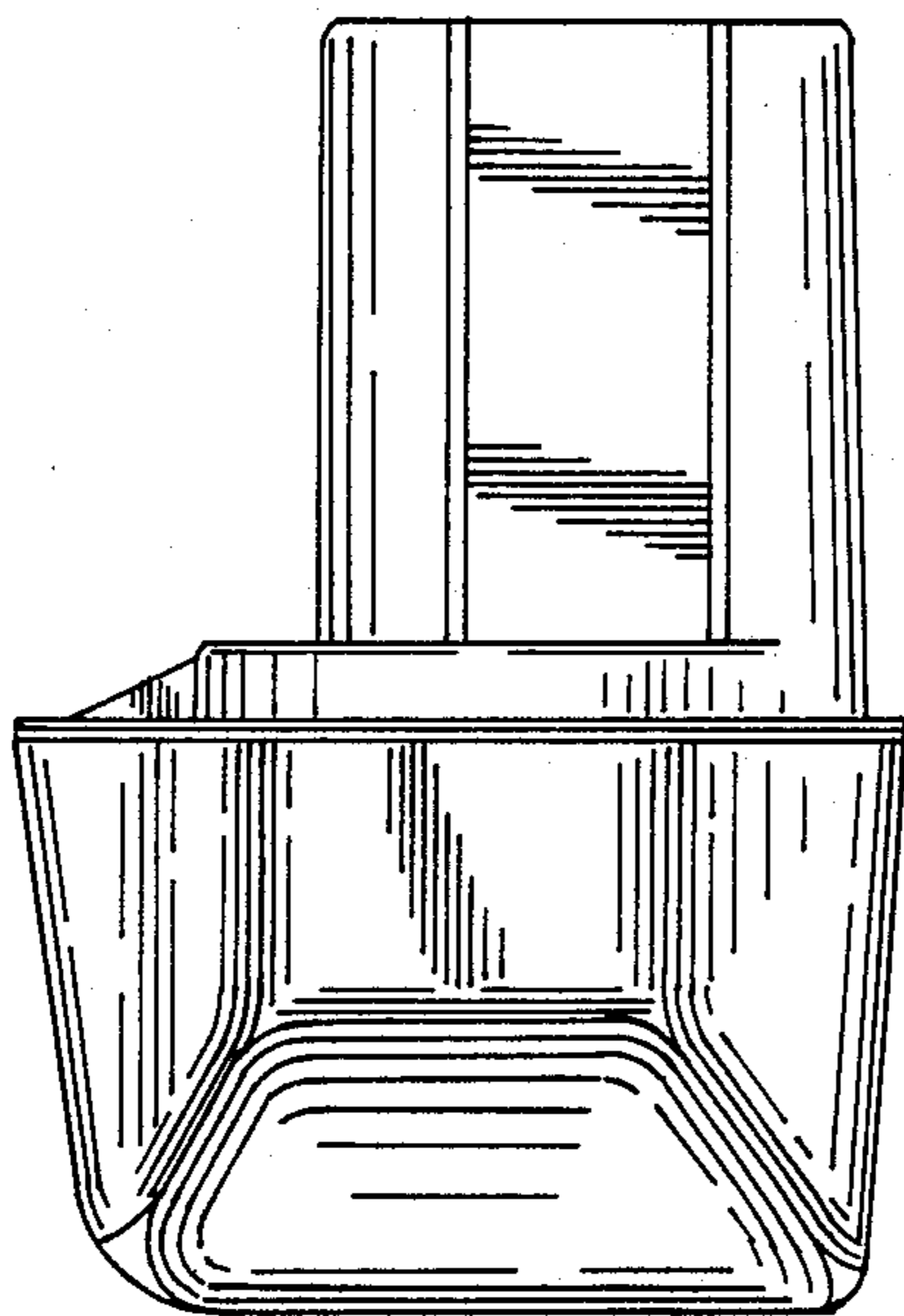


FIG. 3.

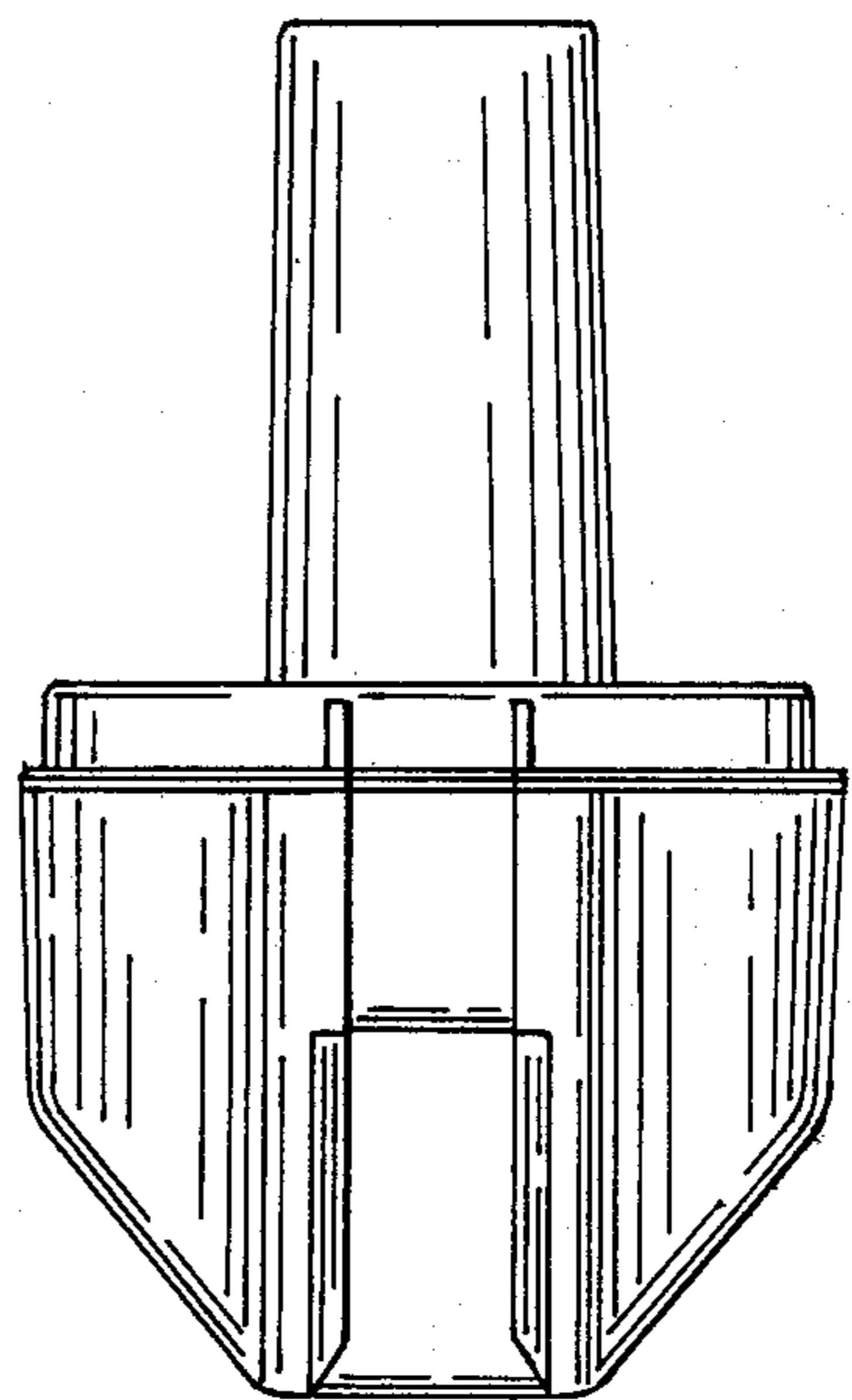


FIG. 4.

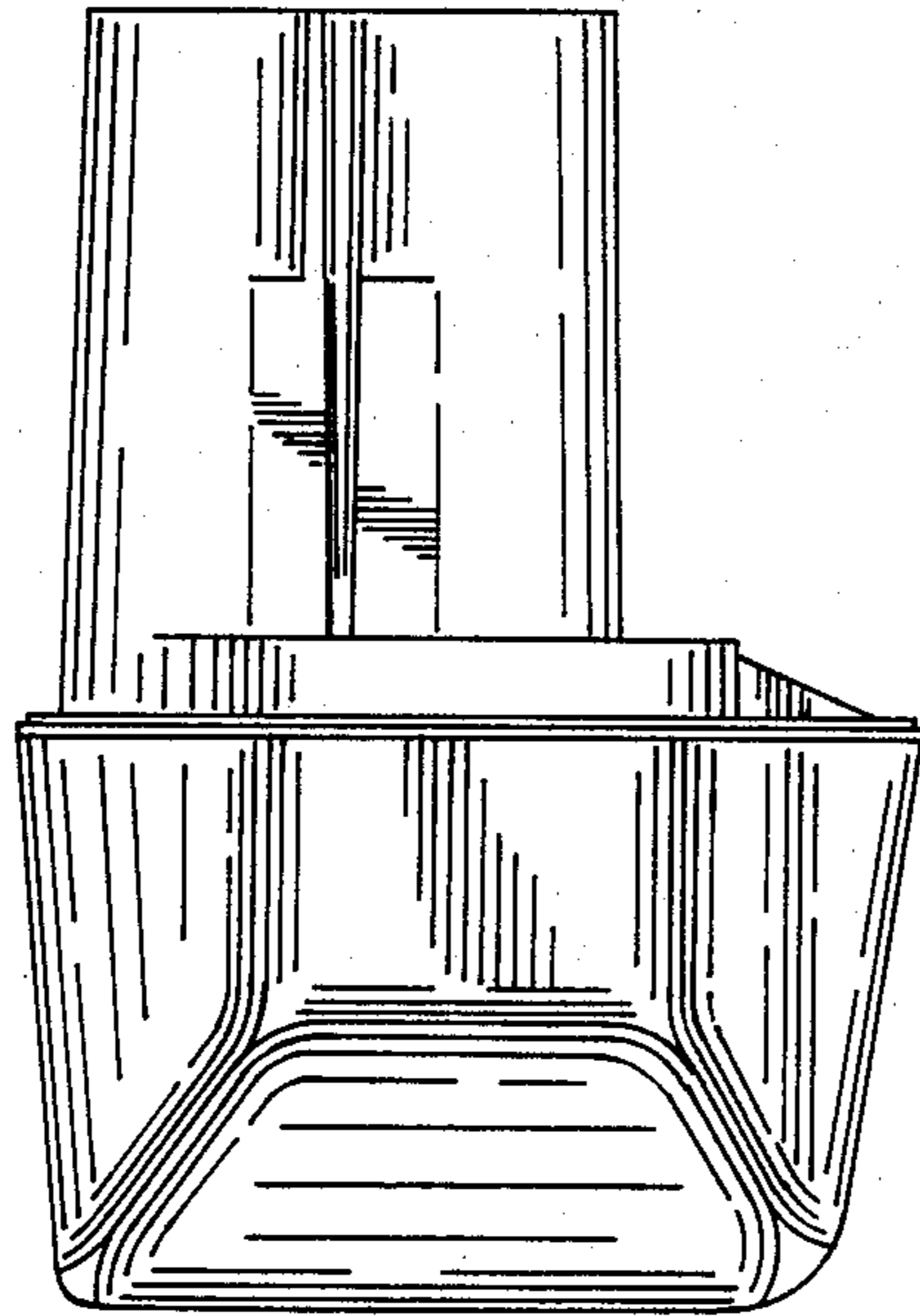


FIG. 5.

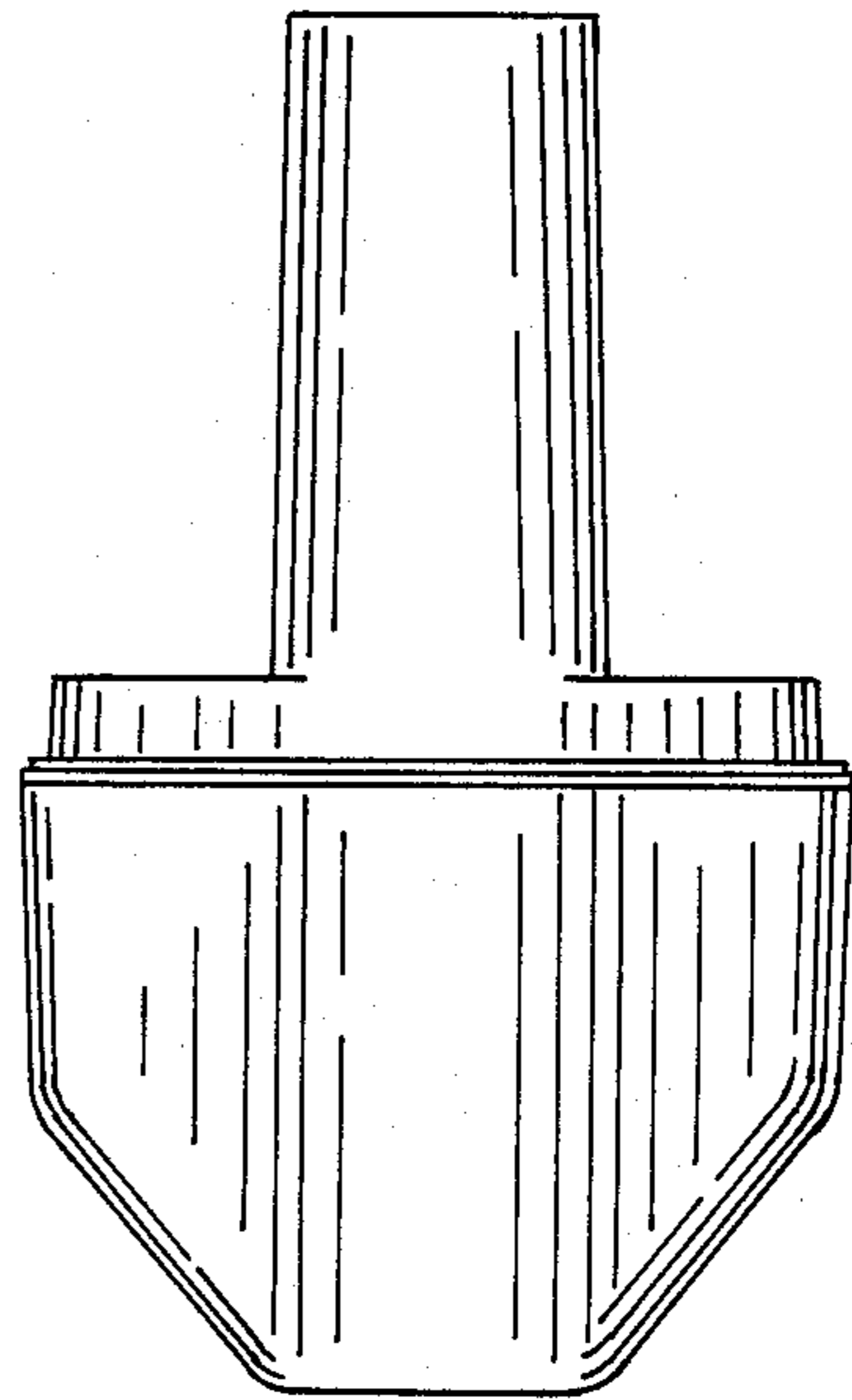


FIG. 6.

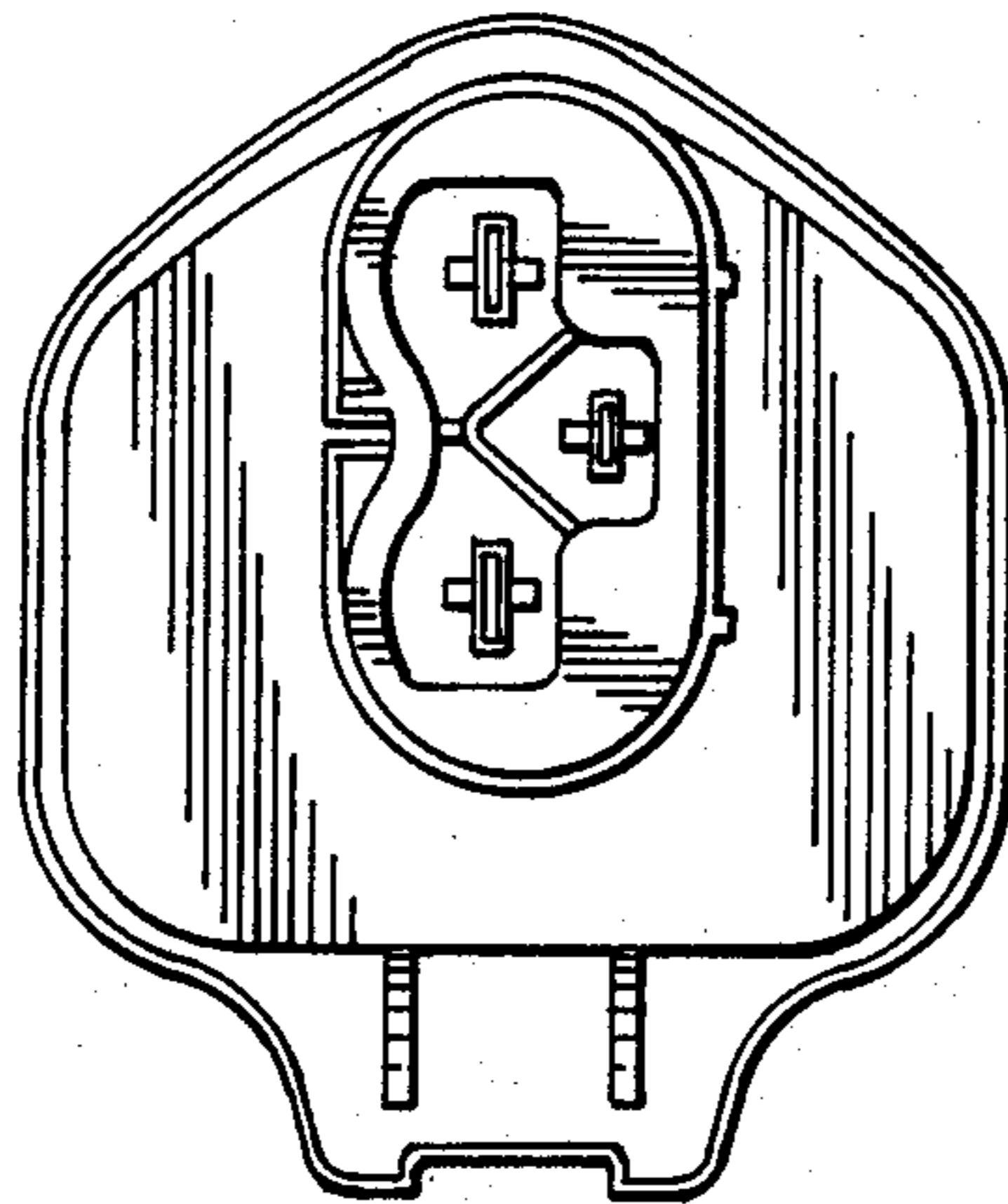


FIG. 7.

