

[54] COMBINED KNOB AND ESCUTCHEON

[75] Inventor: Stanley M. Paul, Rye, N.Y.

[73] Assignee: Paul Associates, Inc., Long Island City, N.Y.

[**] Term: 14 Years

[21] Appl. No.: 203,349

[22] Filed: Jun. 6, 1988

Related U.S. Application Data

[62] Division of Ser. No. 879,139, Jun. 26, 1986, Pat. No. D. 298,564.

[52] U.S. Cl. D8/301; D8/310

[58] Field of Search D8/300, 307, 310-312; D23/250, 254; 16/110 R, 111 R, 118, 121, 124, 126, 127

[56] References Cited

U.S. PATENT DOCUMENTS

D. 47,069 3/1915 Burns D8/312

D. 66,978	4/1925	Martin	D8/307
D. 72,772	5/1927	Kipper	D8/307
D. 262,804	1/1982	Gleason	.	
D. 290,494	6/1987	Dragos	D23/250
1,639,159	8/1927	Anderson	16/121
3,487,496	1/1970	Guyton	.	

OTHER PUBLICATIONS

Trimco Catalog; p. 50; knob 7408 (bottom center).
Schlage Cat.; p. 43; knob & rose 55 (left of center).

Primary Examiner—B. J. Bullock
Attorney, Agent, or Firm—Darby & Darby

[57] CLAIM

The ornamental design for a combined knob and escutcheon, as shown and described.

DESCRIPTION

FIG. 1 is a perspective view of a combined knob and escutcheon showing my new design;
FIG. 2 is a left side view thereof, the right side being a mirror image;
FIG. 3 is a front view thereof;
FIG. 4 is a rear view thereof.

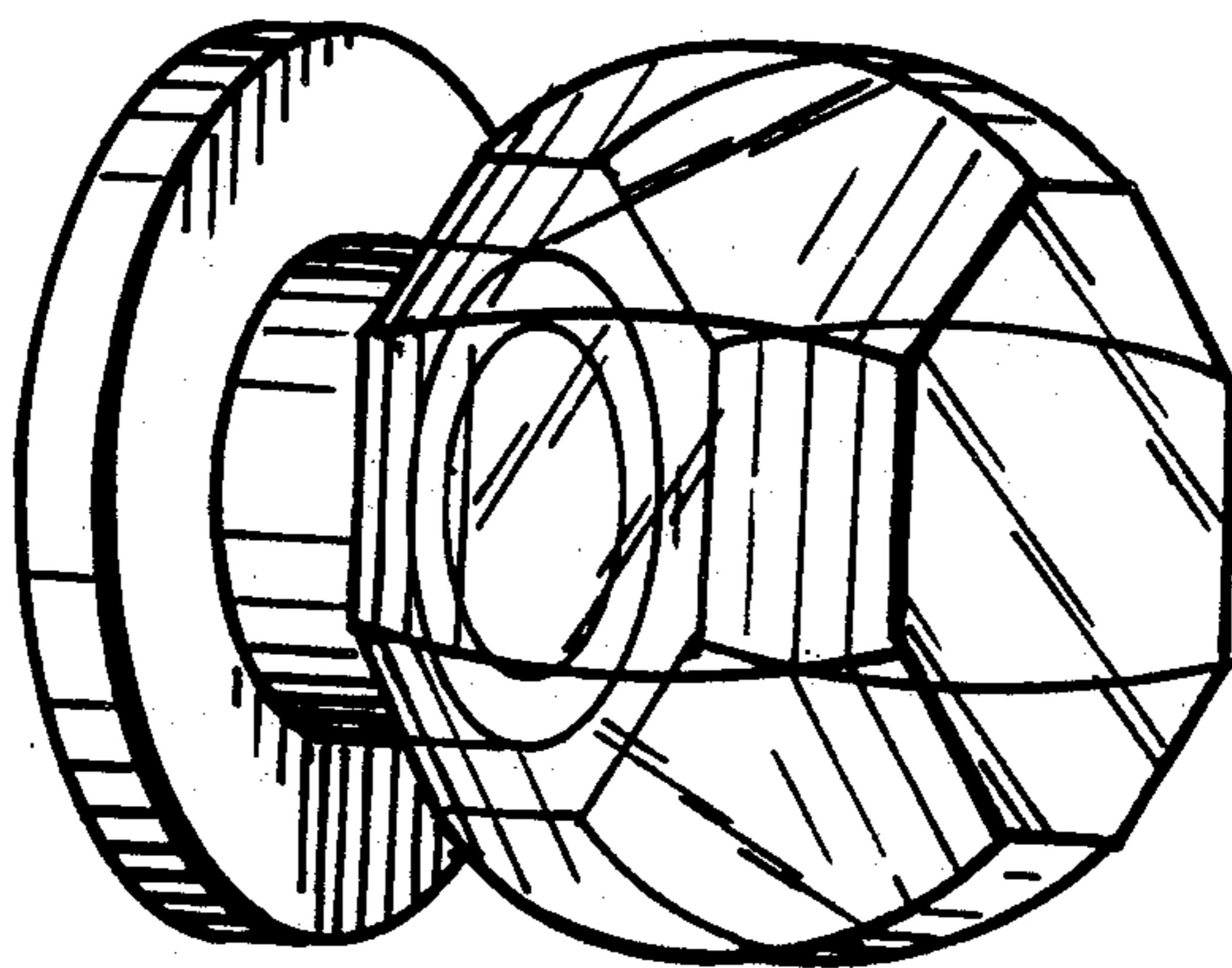


FIG. 1

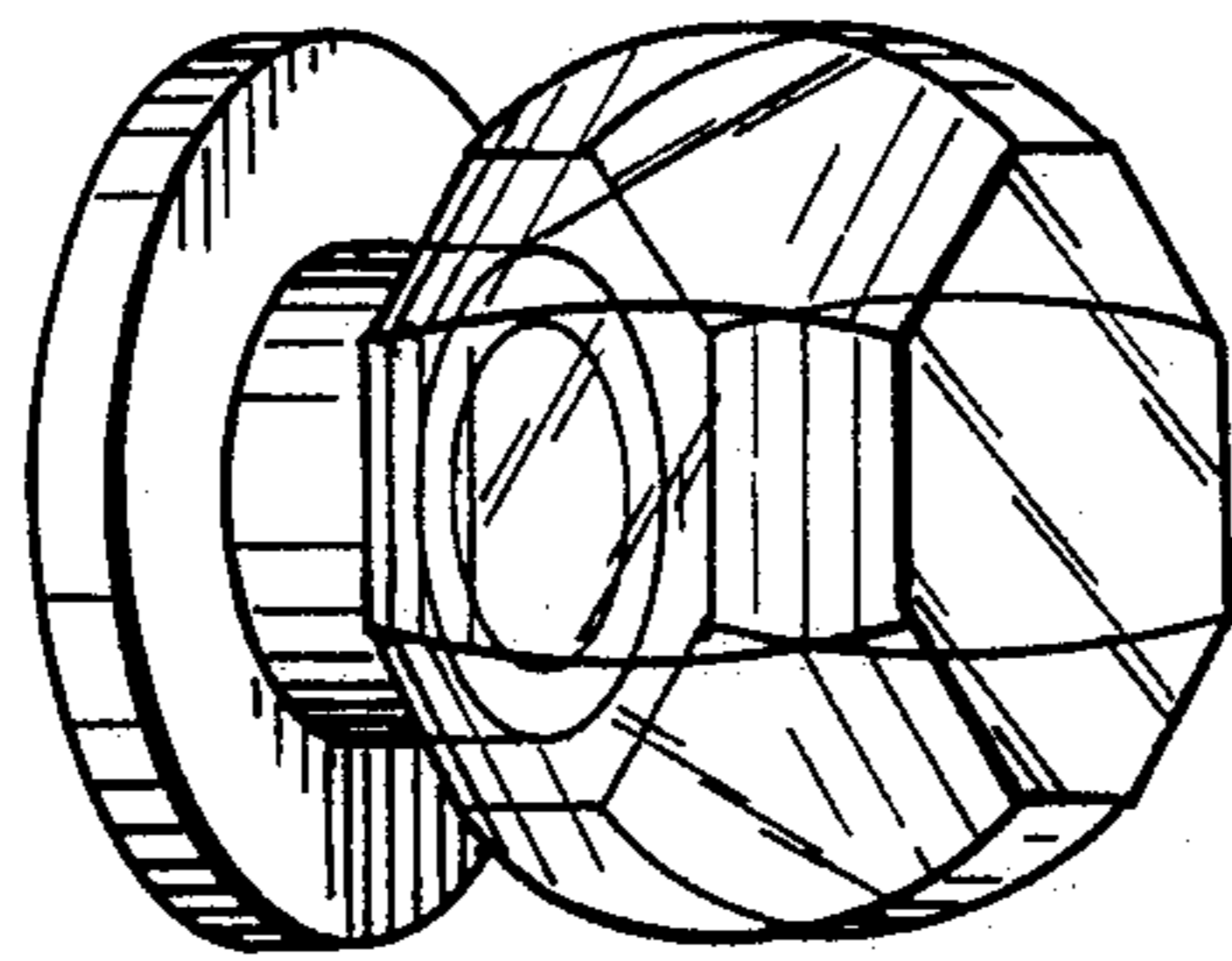


FIG. 2

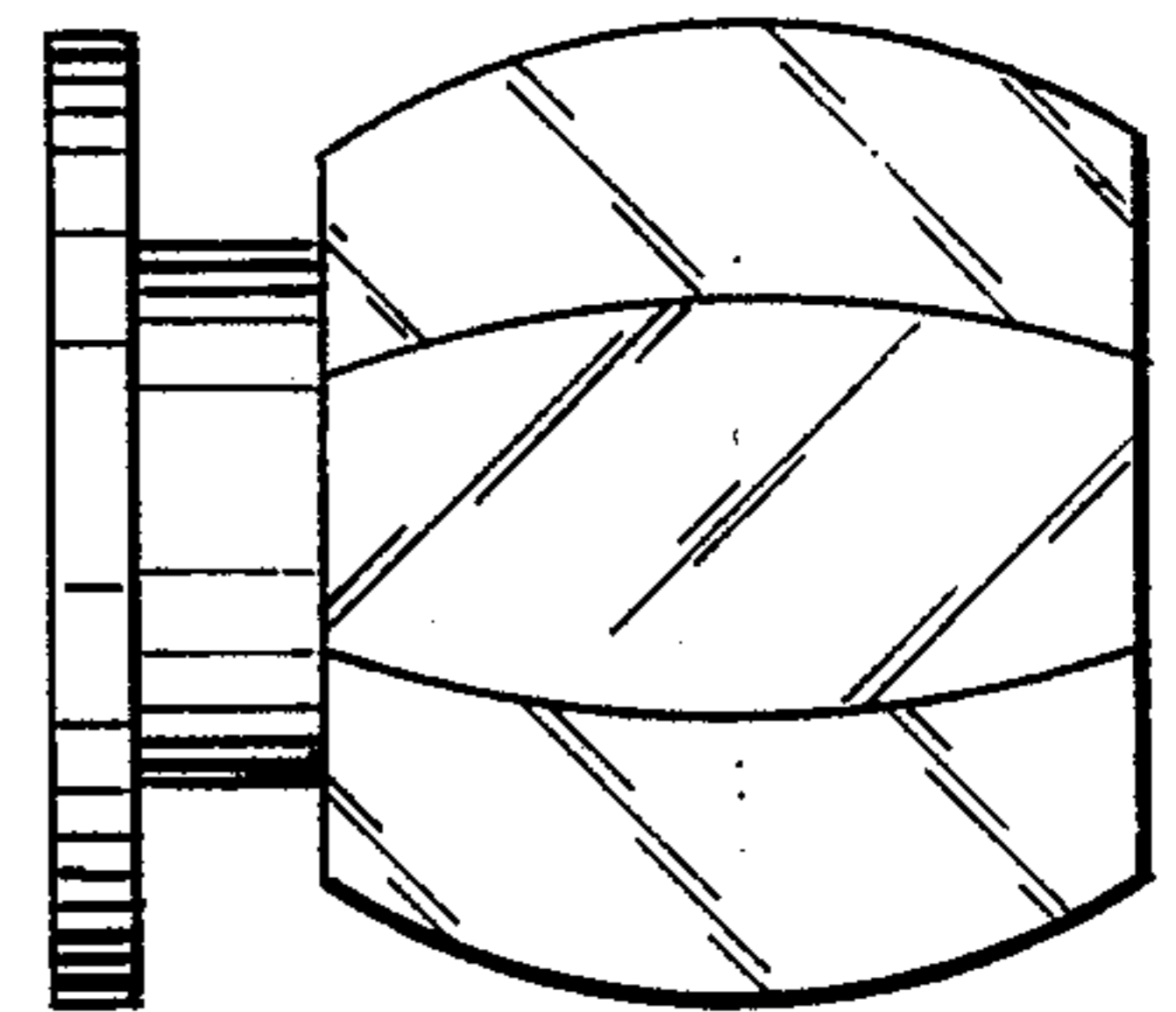


FIG. 3

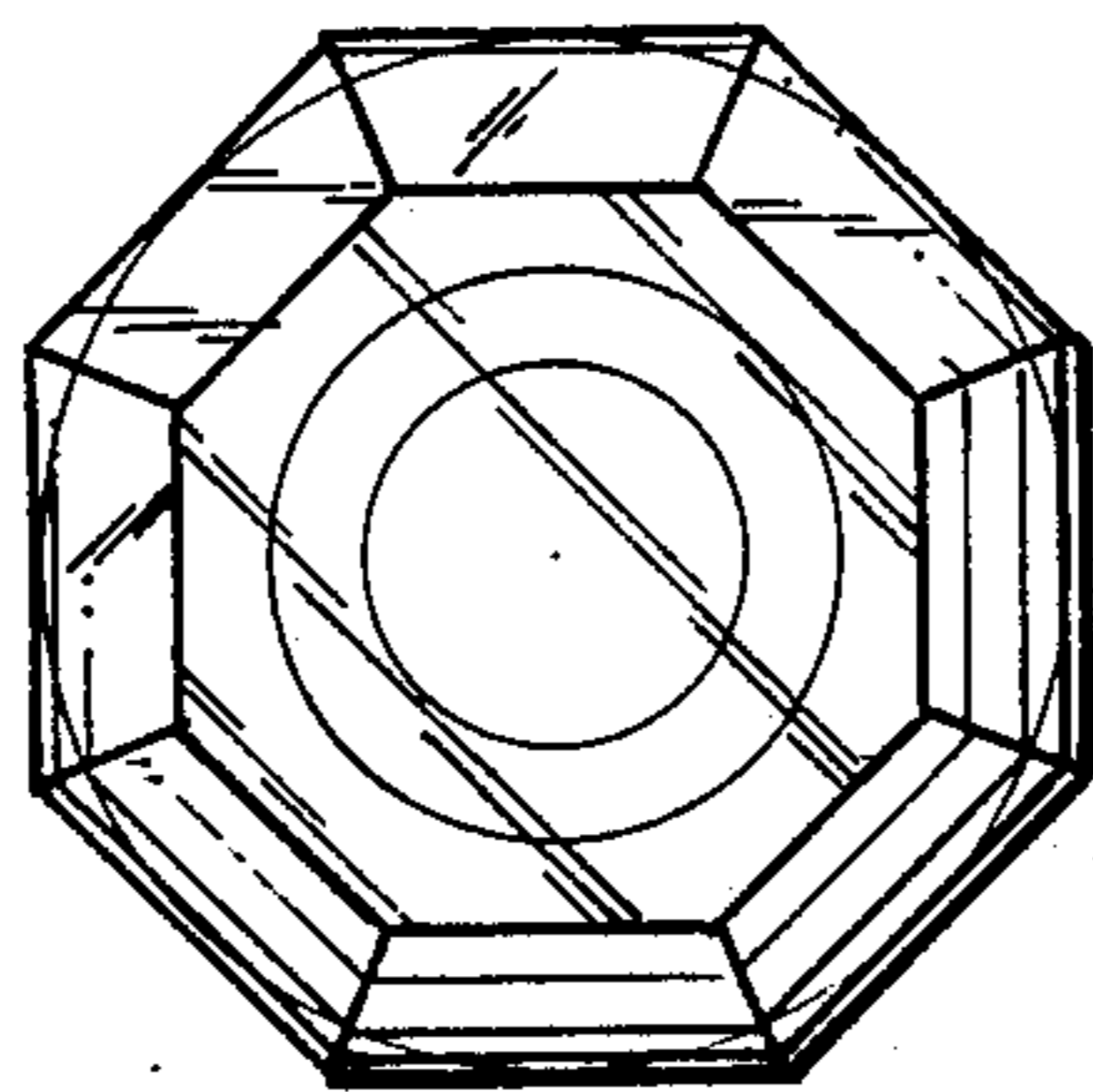


FIG. 4

