

[54] **COMBINED INSULATED BEVERAGE  
HOLDER AND POUCH**

[76] **Inventor: James R. Coy, 750 E. Irvington,  
Tucson, Ariz. 85706**

[\*\*] **Term: 14 Years**

[21] **Appl. No.: 98,904**

[22] **Filed: Sep. 21, 1987**

[52] **U.S. Cl. .... D7/605; D7/624**

[58] **Field of Search ..... D7/70, 77; D9/455;  
62/457.1, 457.3, 457.4; 220/903, 96, 85 H;  
248/346.1; 215/100.5**

[56] **References Cited**

**U.S. PATENT DOCUMENTS**

4,721,216 1/1988 Kinder ..... D7/70 X

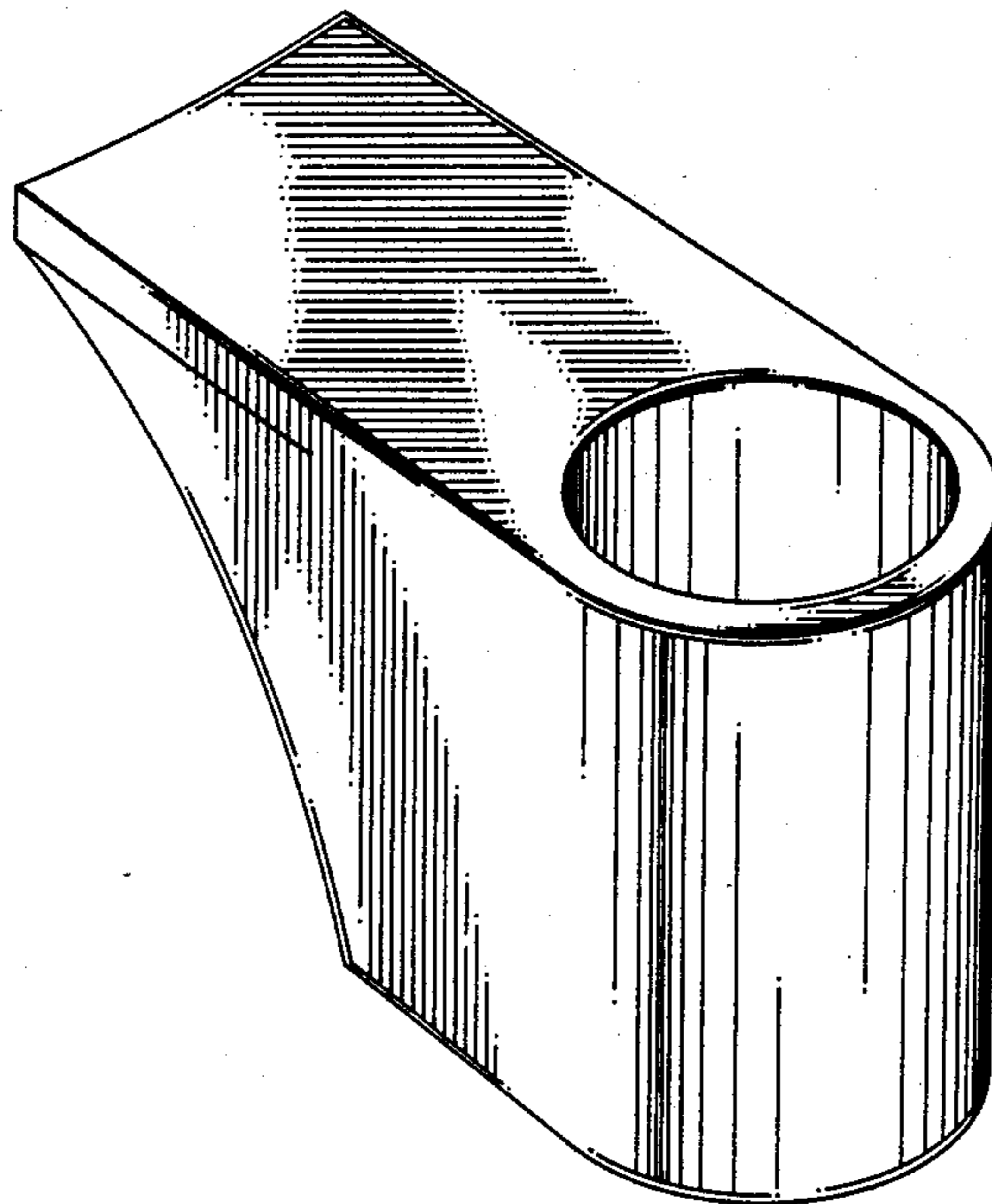
*Primary Examiner*—Bernard Ansher  
*Assistant Examiner*—Terry A. Pfeffer  
*Attorney, Agent, or Firm*—J. Michael McClanahan

[57] **CLAIM**

The ornamental design for combined insulated beverage holder and pouch, as shown.

**DESCRIPTION**

FIG. 1 is a perspective view of a combined insulated beverage holder and pouch showing my new design; FIG. 2 is a right side elevational view thereof; FIG. 3 is a front elevational view thereof; FIG. 4 is a rear elevational view thereof; FIG. 5 is a bottom plan view thereof; and FIG. 6 is a top plan view thereof.



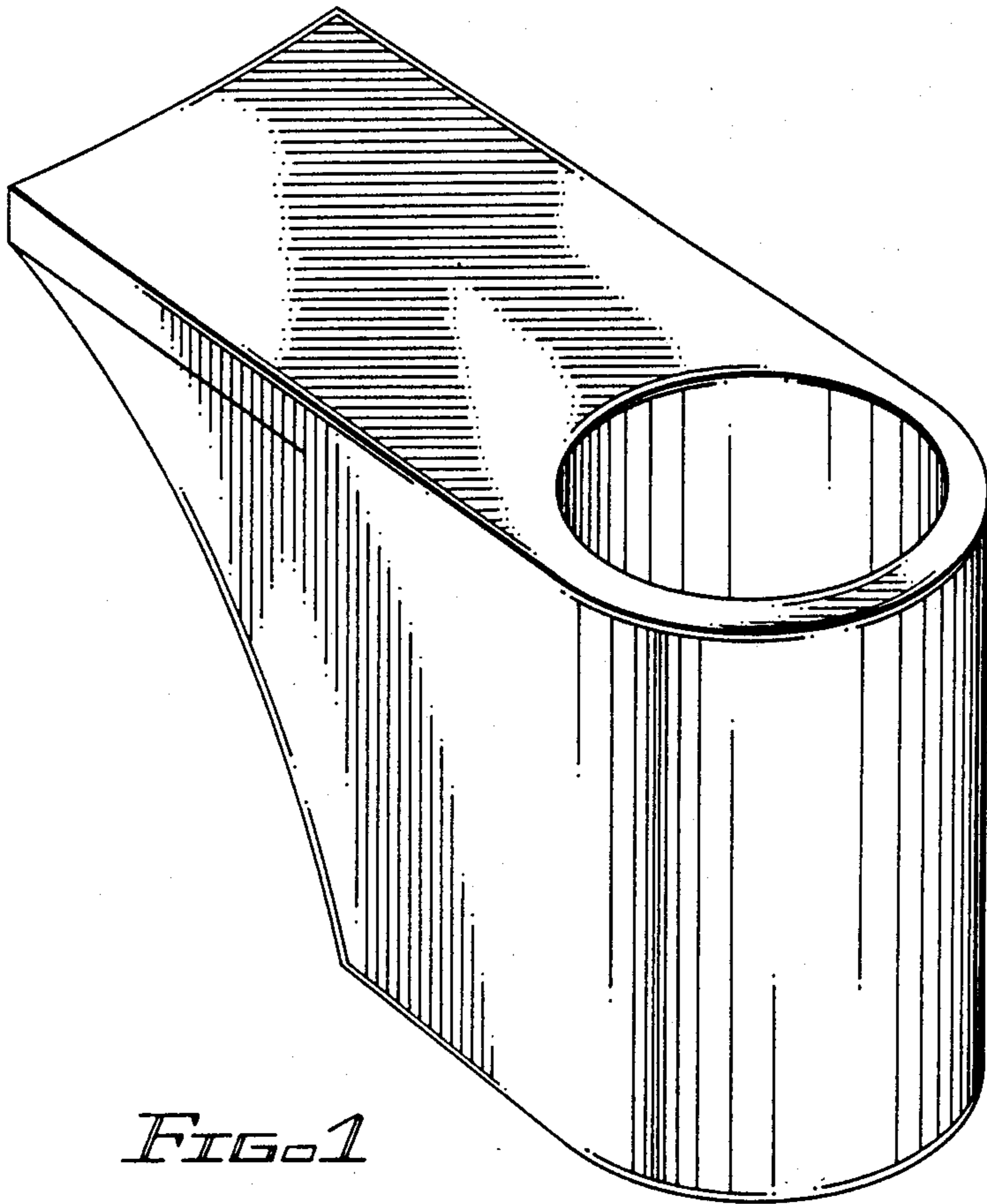


FIG. 1

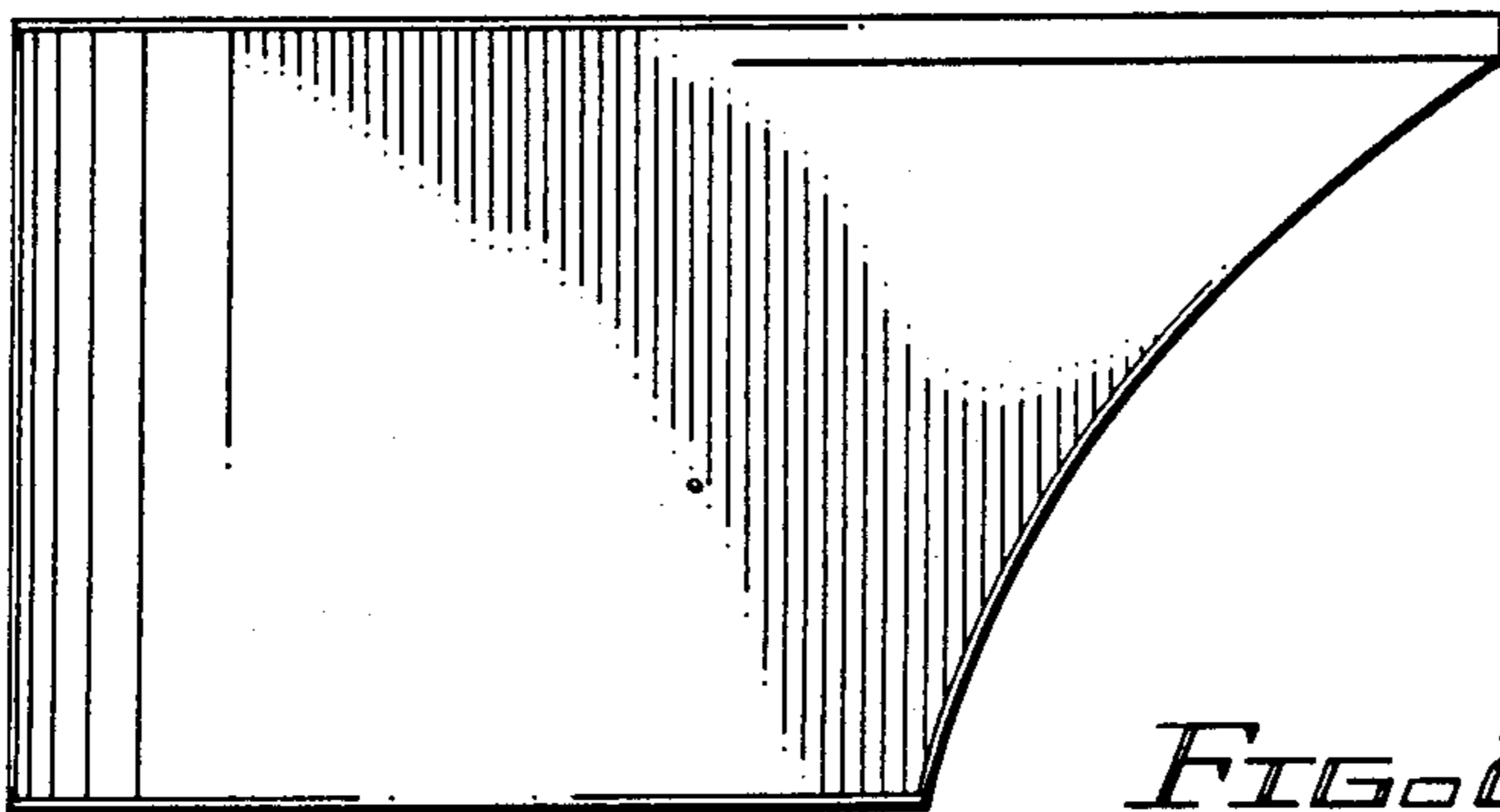


FIG. 2

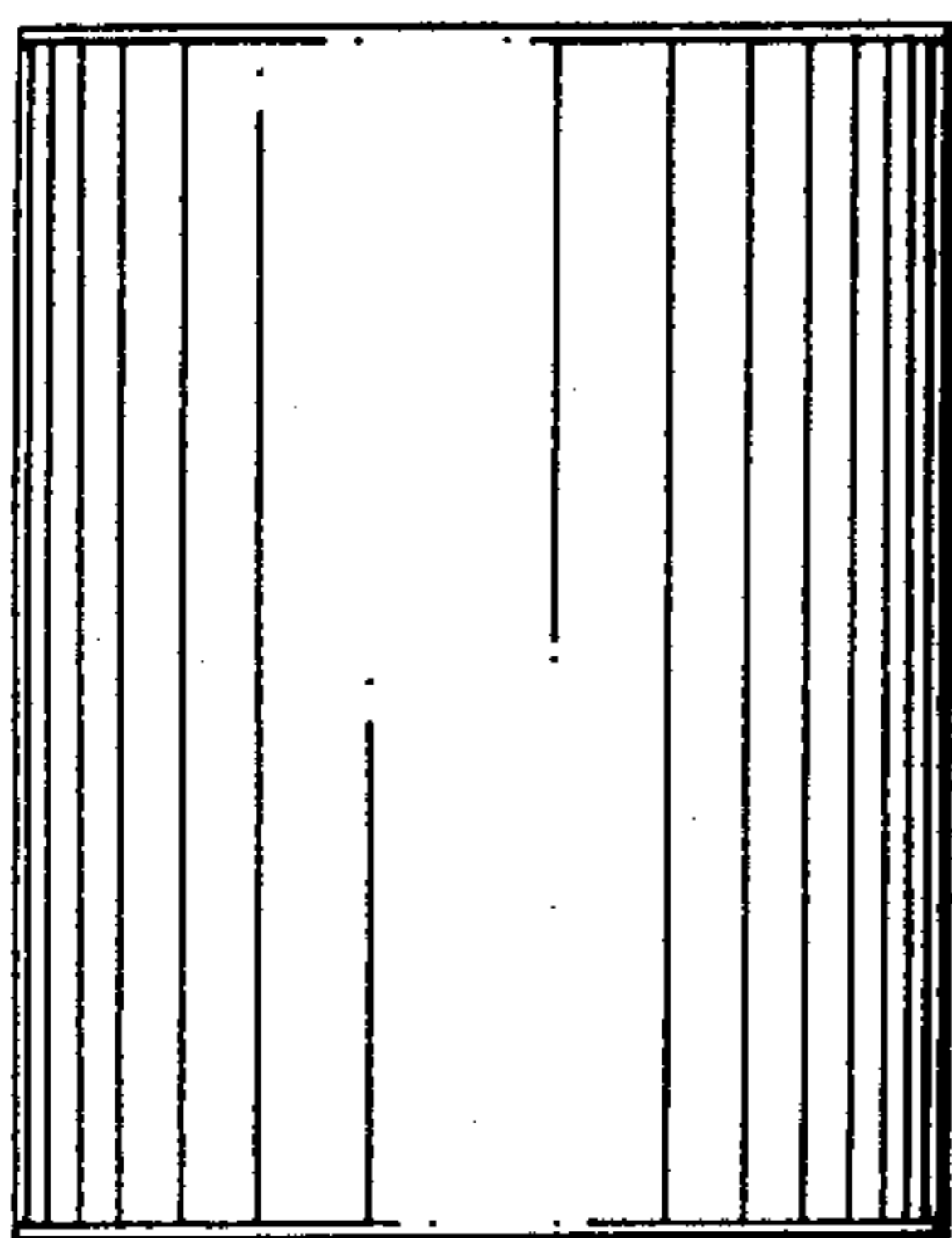


FIG. 3

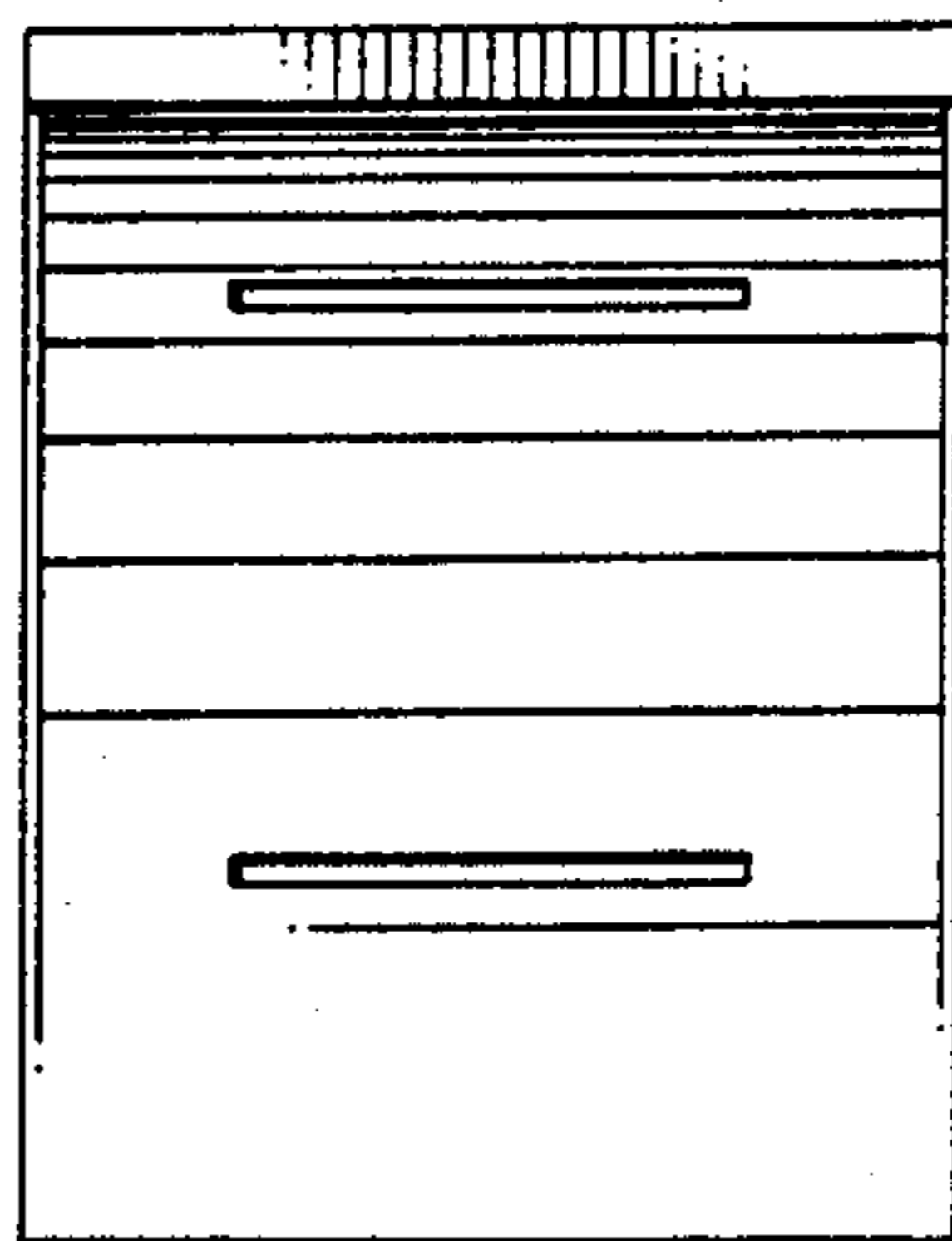


FIG. 4

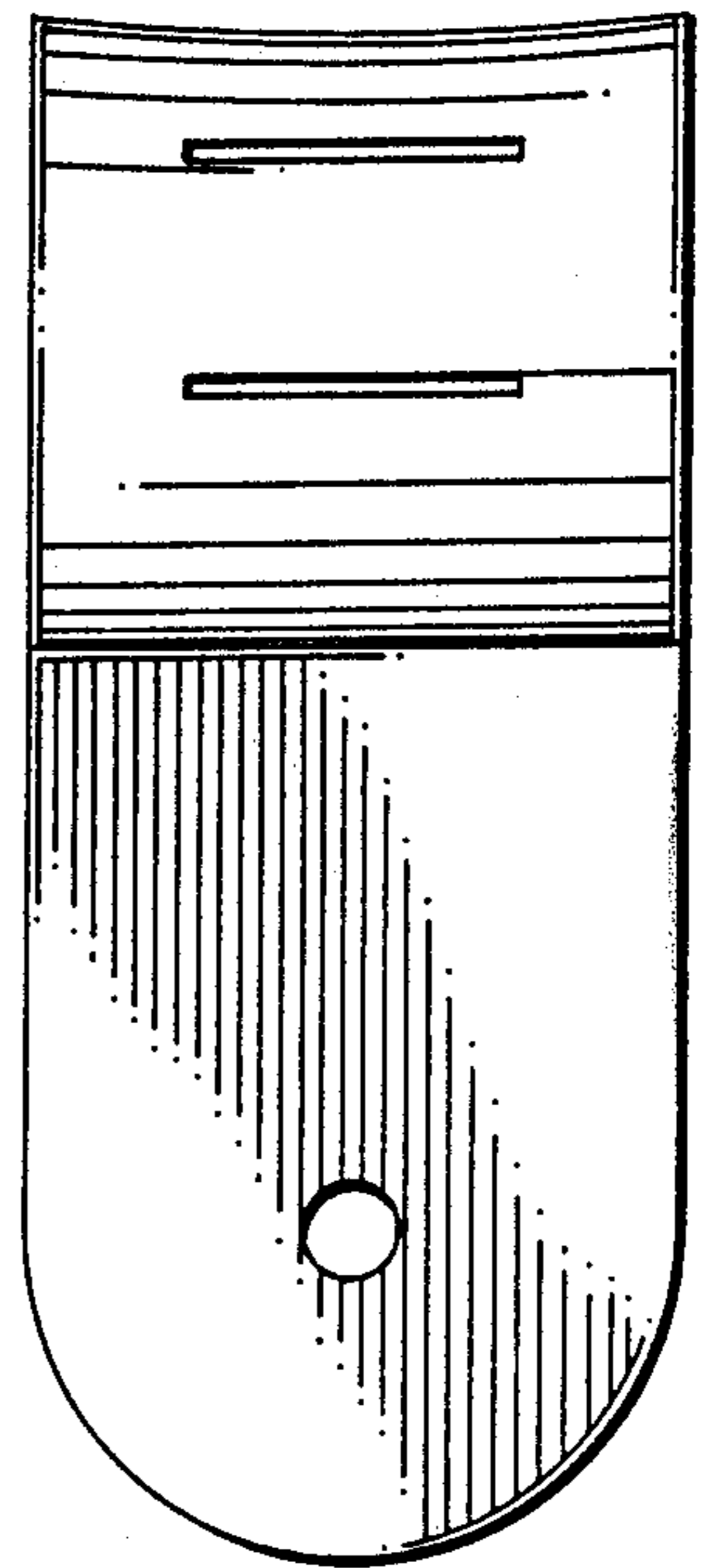


FIG. 5

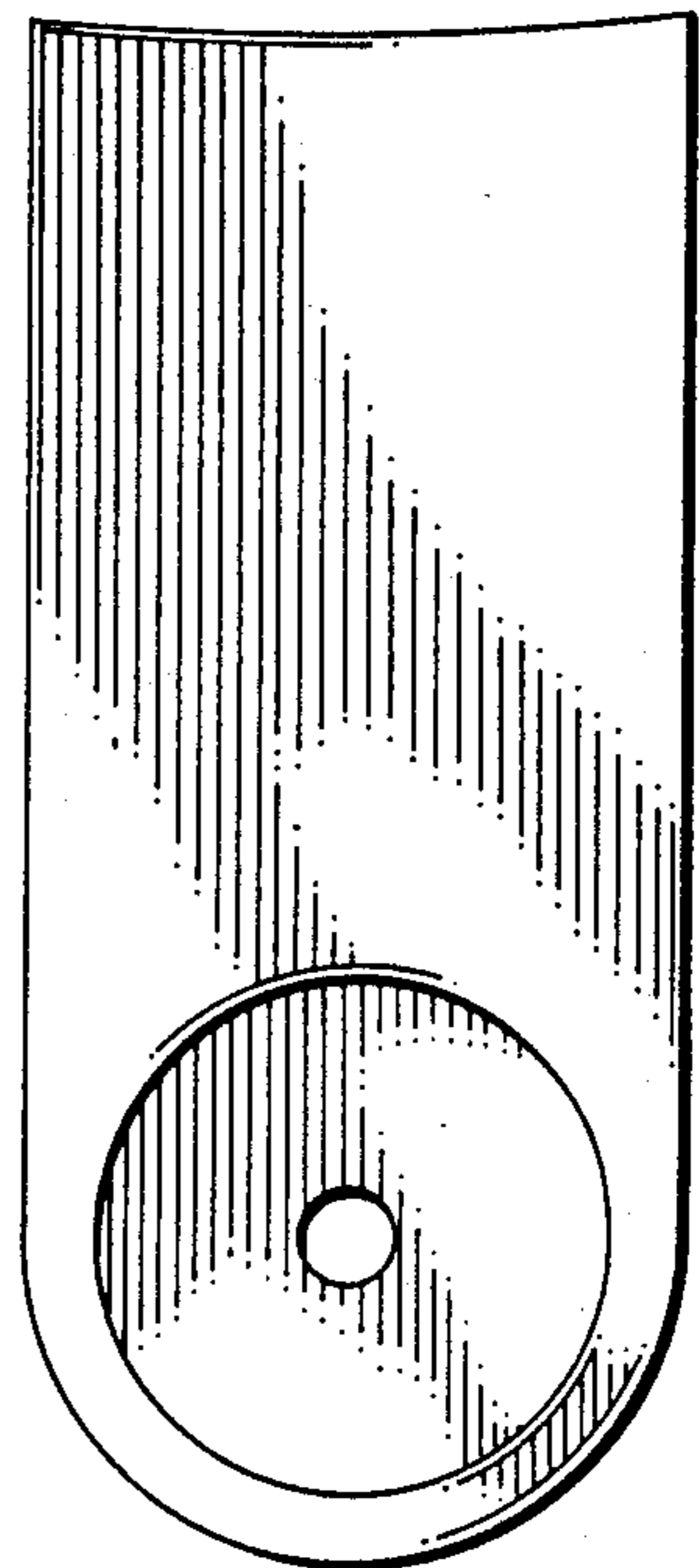


FIG. 6