

[54] HOLDER FOR BEVERAGE CONTAINER

[76] Inventor: Darryl L. Anderson, 7630 N. Massingale, Tucson, Ariz. 85741

[\*\*] Term: 14 Years

[21] Appl. No.: 129,680

[22] Filed: Dec. 7, 1987

[52] U.S. Cl. .... D7/620

[58] Field of Search ..... D7/70, 71; D9/455; 220/85 H; 248/311.2, 214, 313, 346.1; 211/74-75, 71, 88

4,606,523 8/1986 Statz .  
4,634,089 1/1987 Wright .  
4,653,289 3/1987 Hodgetts .  
4,844,400 7/1989 Jasmagy, Jr. .... D7/70 X

Primary Examiner—Bernard Ansher  
Assistant Examiner—Terry A. Pfeffer  
Attorney, Agent, or Firm—J. Michael McClanahan

[57] CLAIM

The ornamental design for a holder for beverage container, as shown.

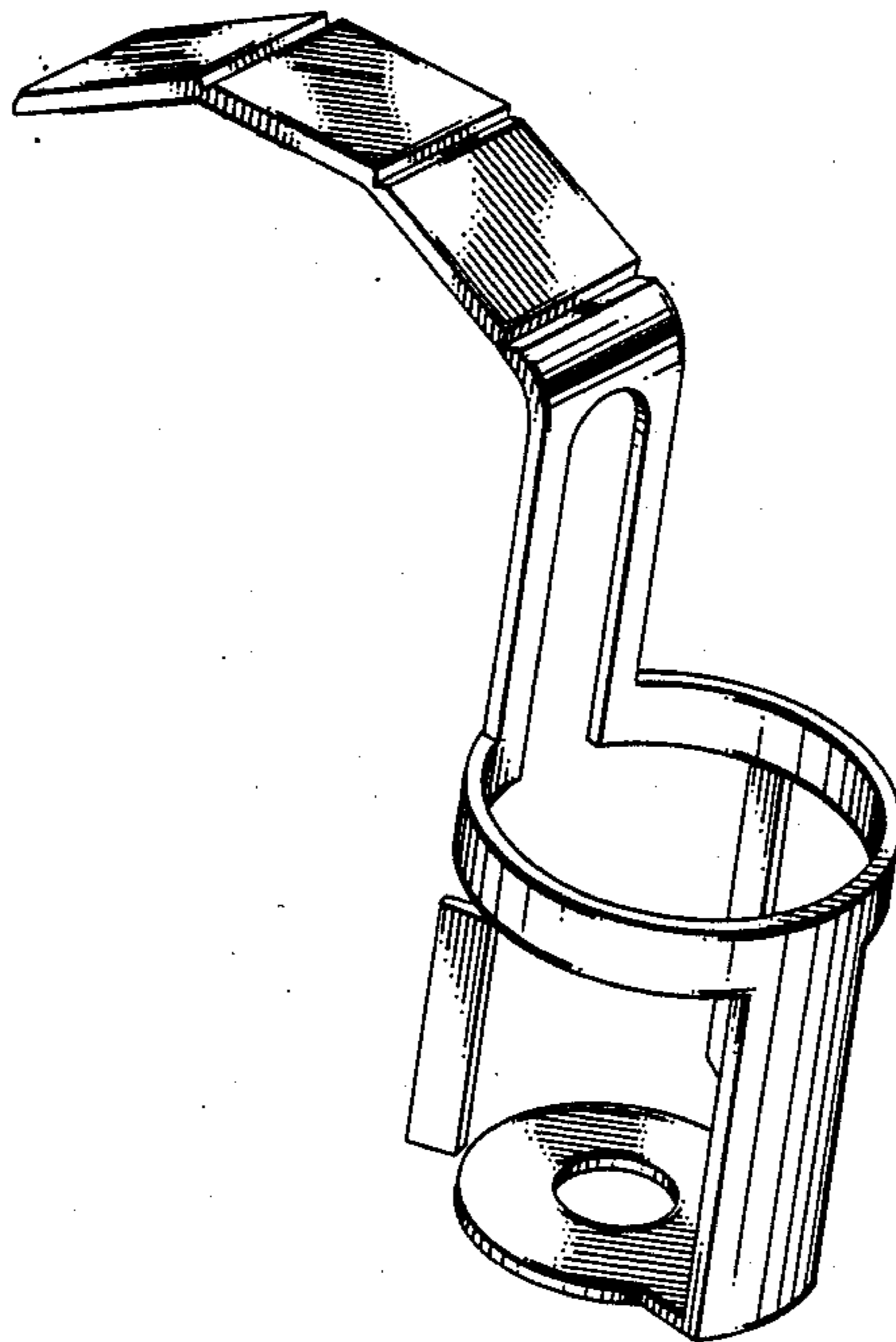
DESCRIPTION

FIG. 1 is a perspective view of the holder for beverage container showing my new design;  
FIG. 2 is a top plan view thereof;  
FIG. 3 is a front elevational view thereof;  
FIG. 4 is a rear elevational view thereof;  
FIG. 5 is a bottom plan view thereof; and  
FIG. 6 is a right side elevational view thereof.

[56] References Cited

U.S. PATENT DOCUMENTS

- D. 226,623 4/1973 Shuford .
- D. 259,835 7/1981 Page .
- D. 264,525 5/1982 Page .
- 4,103,510 8/1978 Hall .
- 4,478,052 10/1984 McDowell .



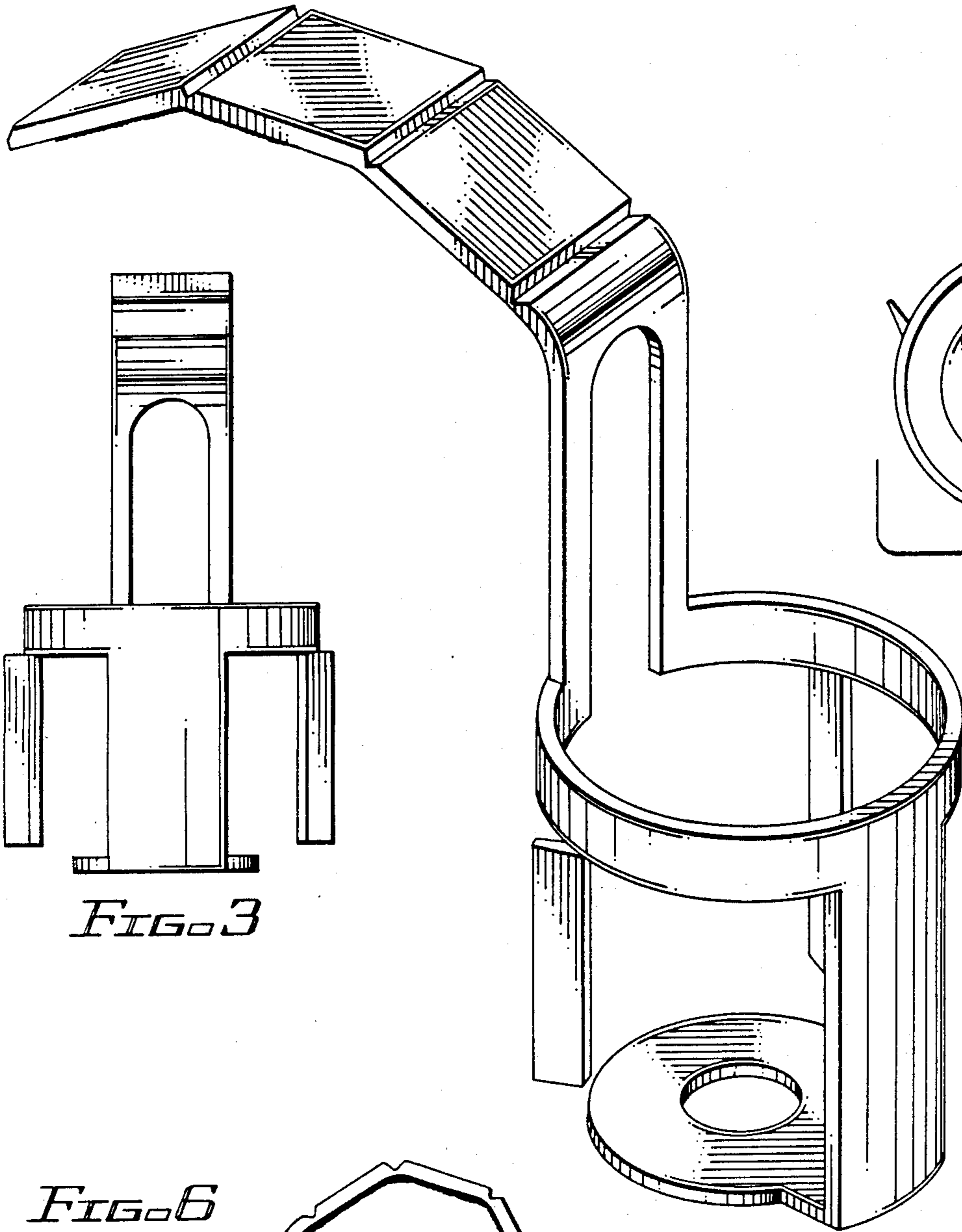


FIG. 1

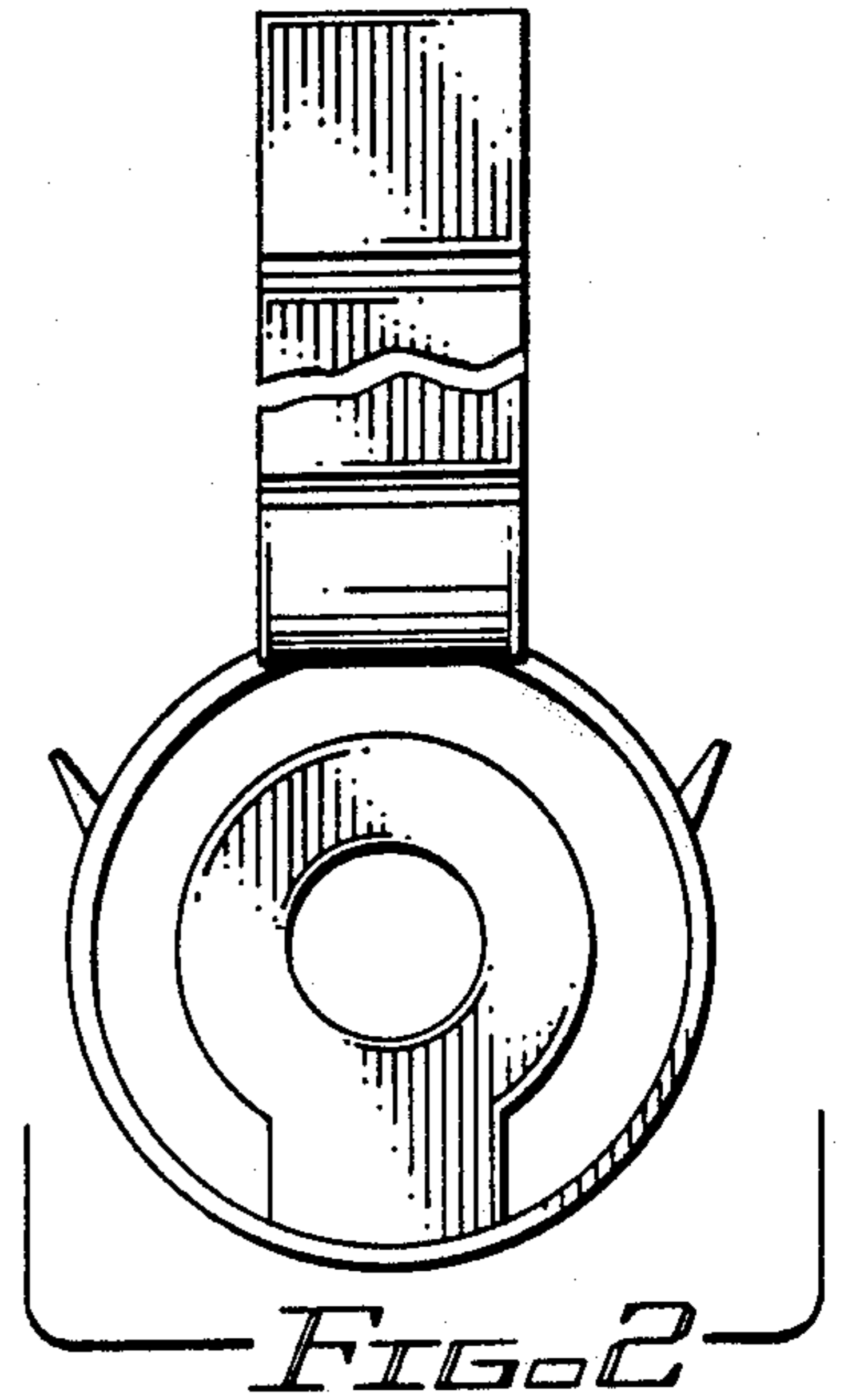


FIG. 2

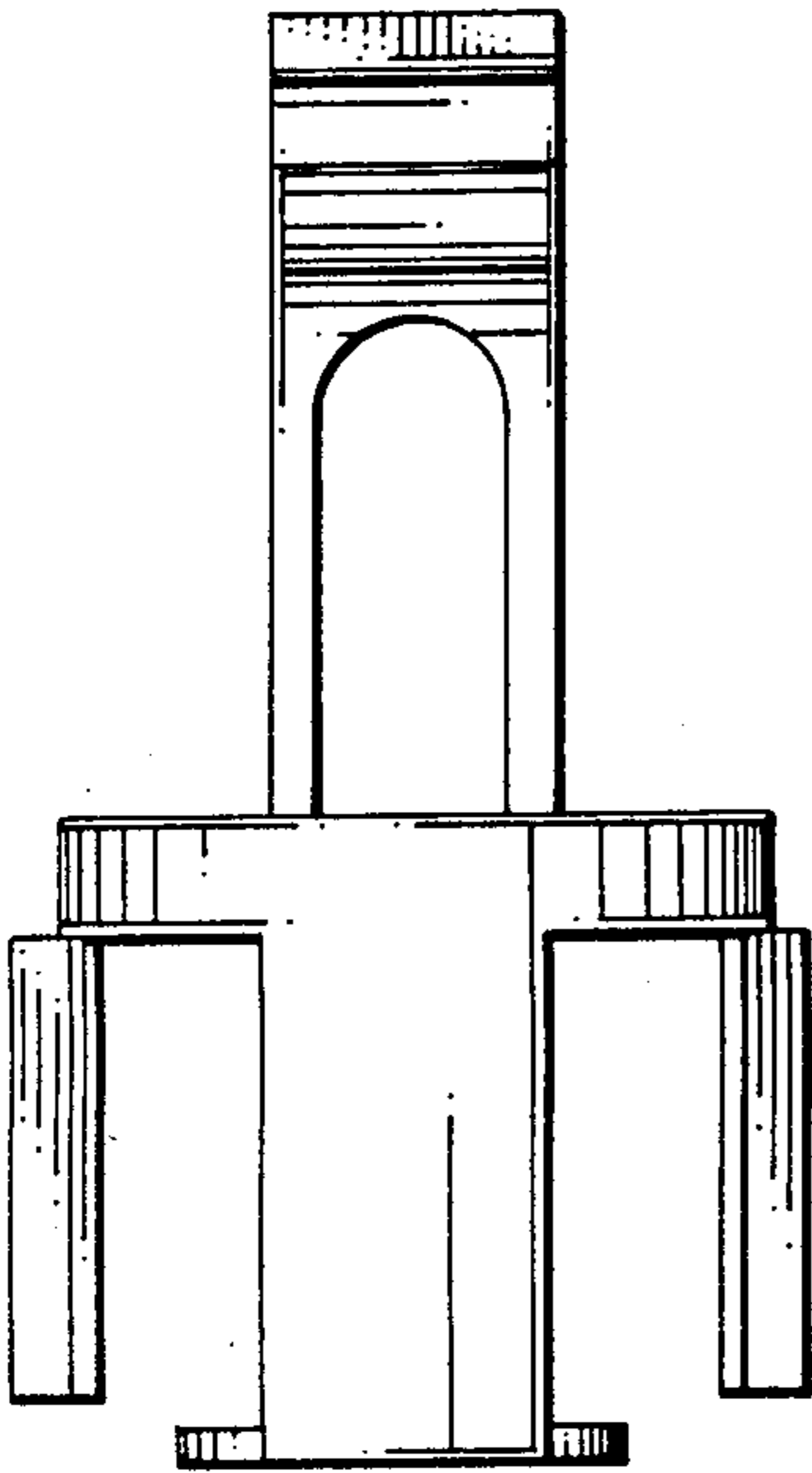


FIG. 3

FIG. 6

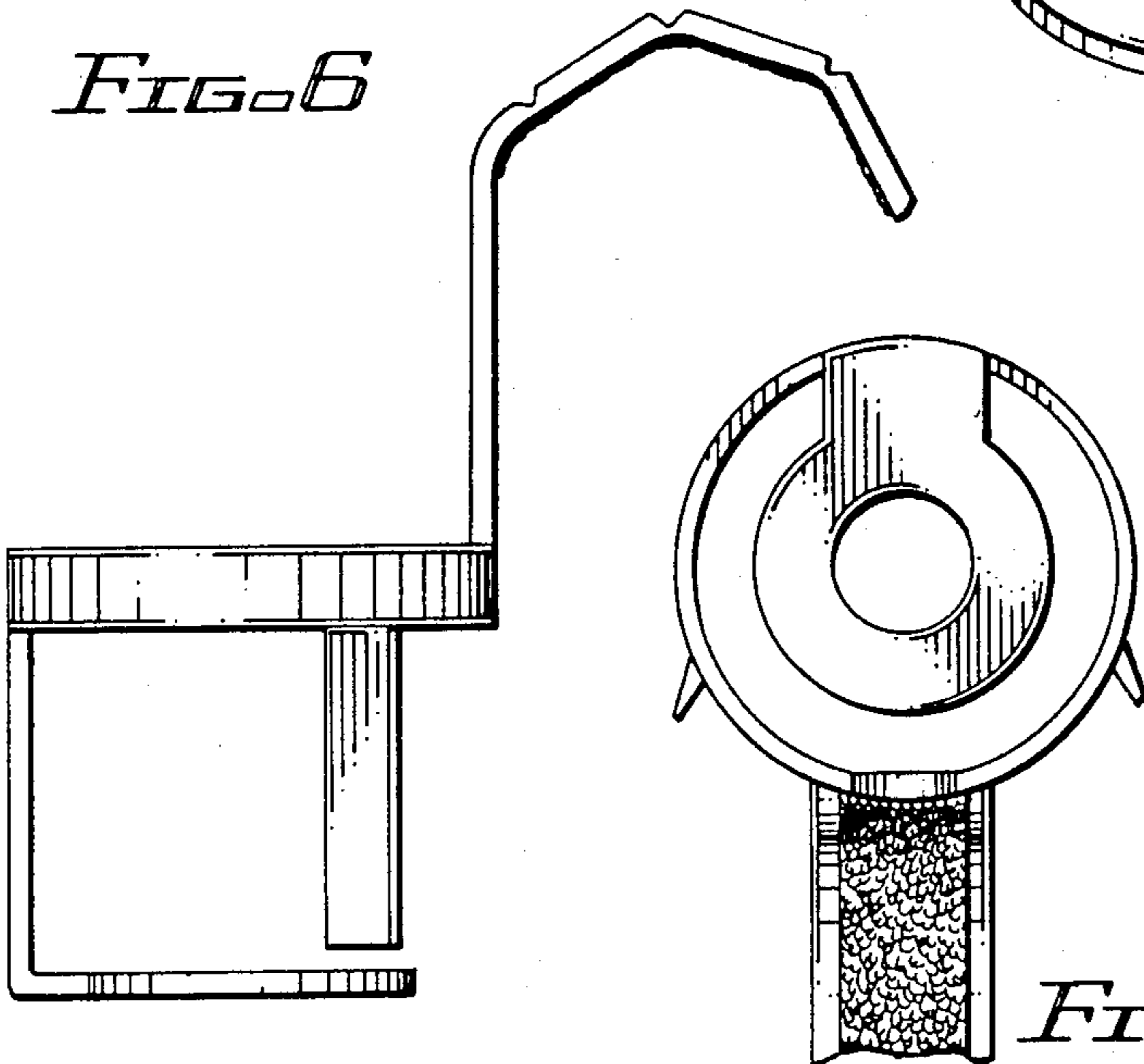


FIG. 4

FIG. 5

