

[54] PIVOTABLE DISPLAY HOLDER AND DISPENSER FOR SHEET MATERIAL

[75] Inventor: Richard G. Krautsack, Arlington Heights, Ill.

[73] Assignee: The Cooperative Marketing Co., Elk Grove Village, Ill.

[**] Term: 14 Years

[21] Appl. No.: 32,079

[22] Filed: Mar. 27, 1987

[52] U.S. Cl. D6/515

[58] Field of Search D6/449, 408, 410, 470, D6/515, 517, 518, 553; 211/13, 45, 47, 48; 40/156, 124, 661

[56] References Cited

U.S. PATENT DOCUMENTS

- D. 229,706 12/1973 Lewis D6/466 X
- D. 297,691 9/1988 Hughes D6/515
- 2,800,732 7/1957 Duran D6/466 X

4,132,329 1/1979 Harrison 221/45

Primary Examiner—Carmen H. Vales-Lado
Attorney, Agent, or Firm—Fitch, Even, Tabin & Flannery

[57] CLAIM

The ornamental design for a pivotable display holder and dispenser for sheet material, as shown and described.

DESCRIPTION

FIG. 1 is a perspective view of a pivotable display holder and dispenser for sheet material showing my new design;

FIG. 2 is a front elevational view thereof;

FIG. 3 is a top plan view thereof;

FIG. 4 is a rear elevational view thereof;

FIG. 5 is a bottom plan view thereof;

FIG. 6 is a left side elevational view thereof; and

FIG. 7 is a right side elevational view thereof.

The broken lines shown throughout FIGS. 1-6 indicate environmental structure and form no part of the claimed design.

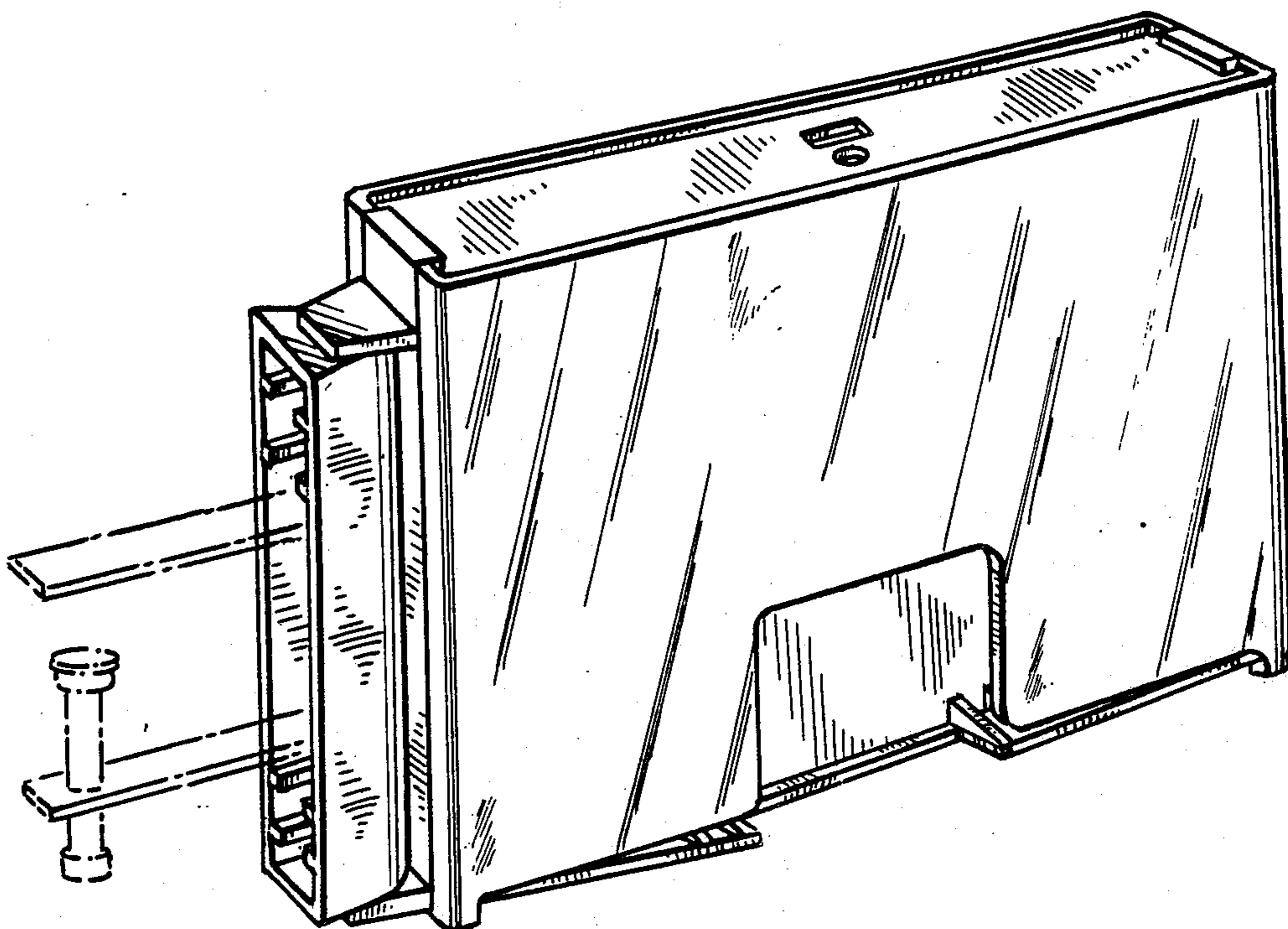


FIG. 1

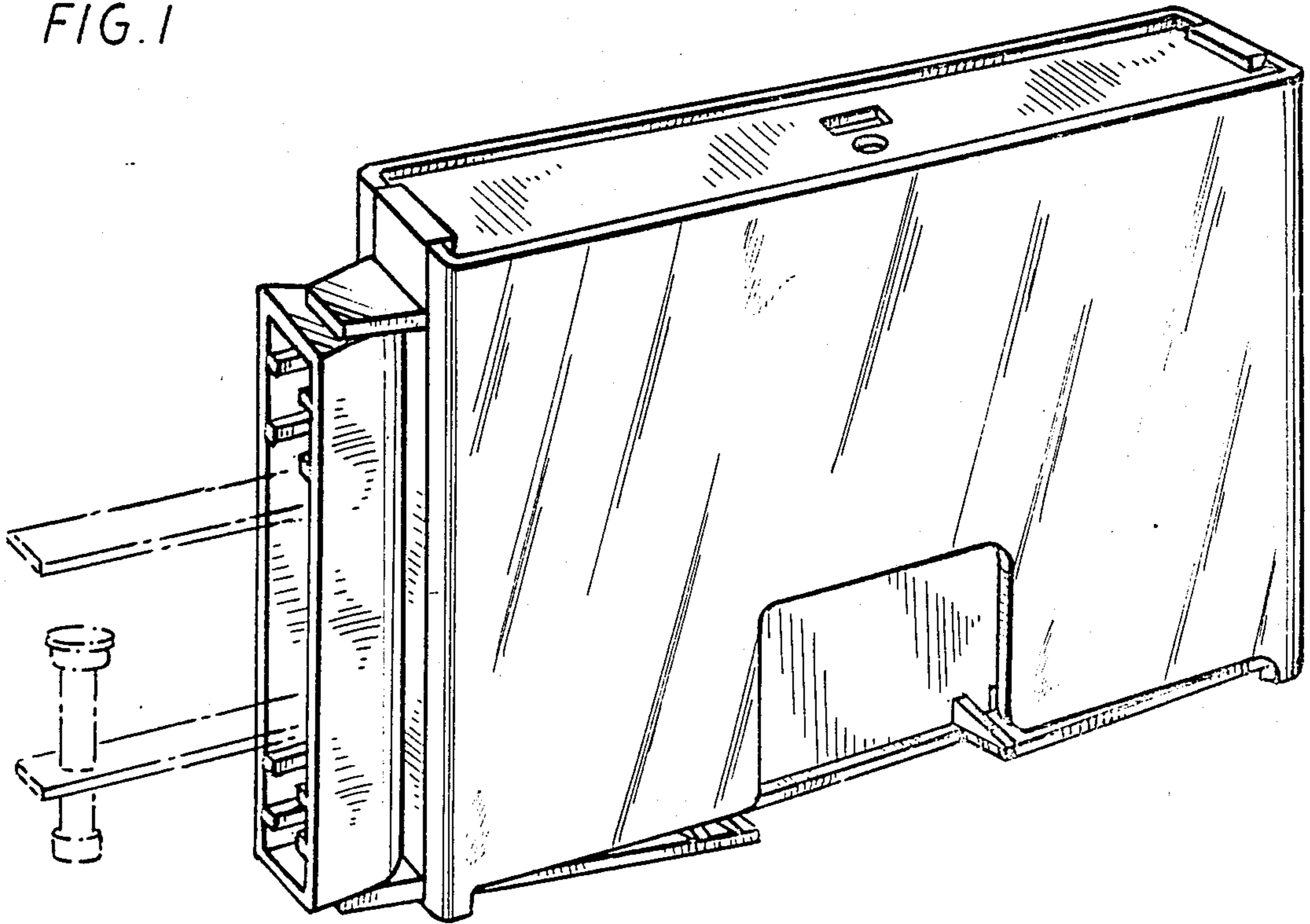


FIG. 2

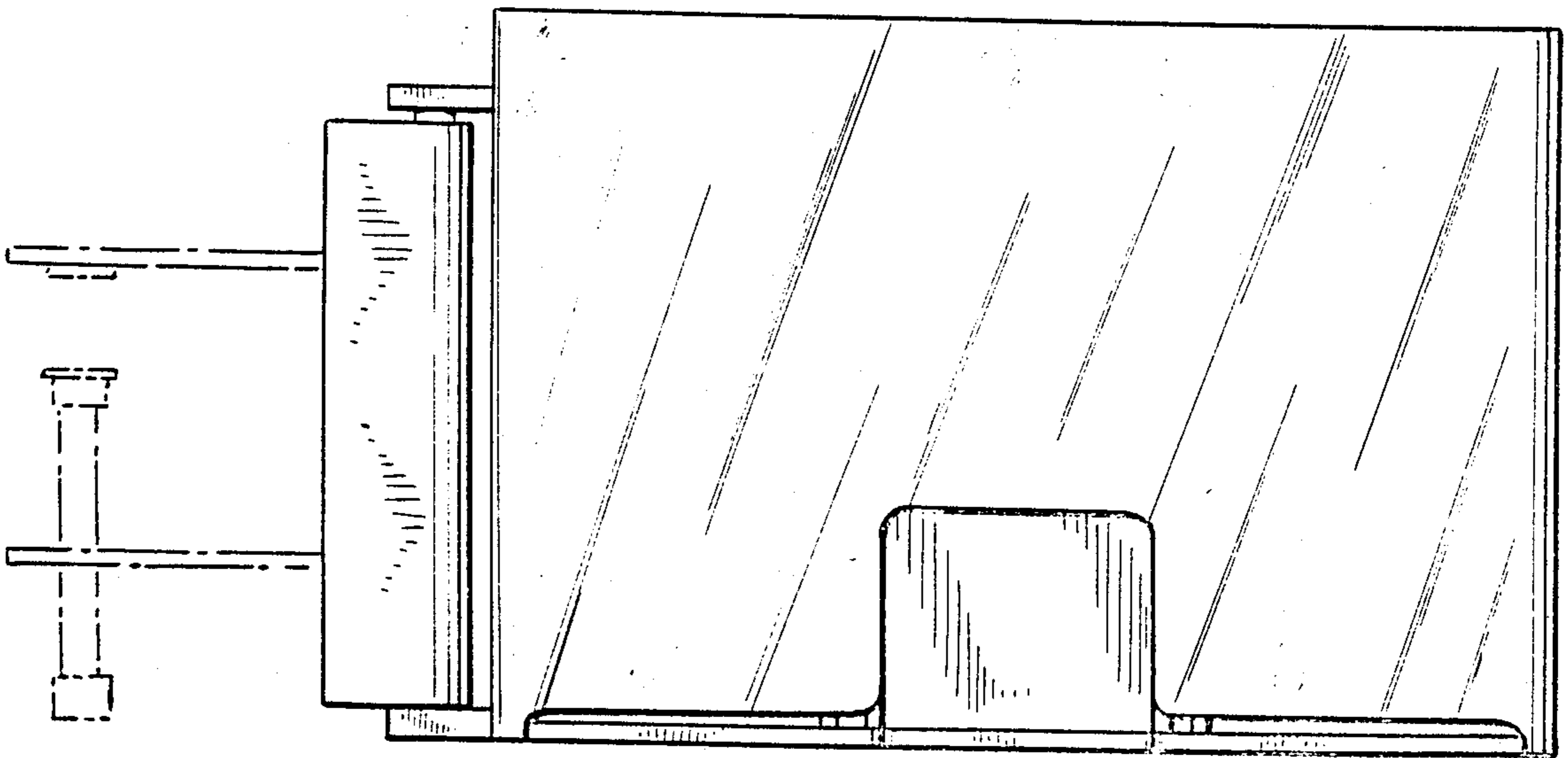


FIG. 3

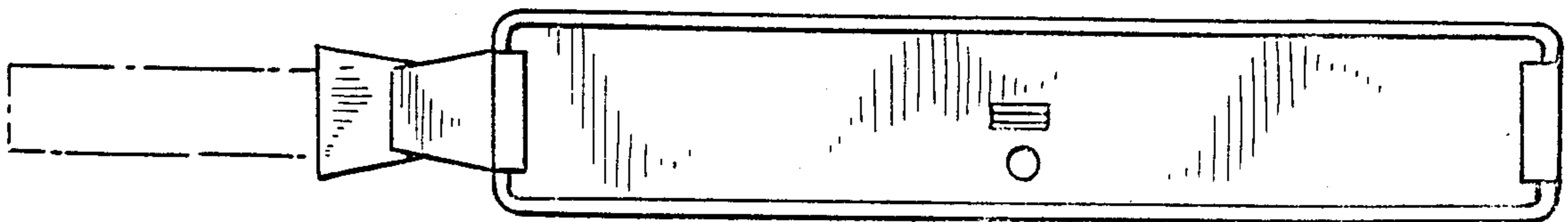


FIG. 4

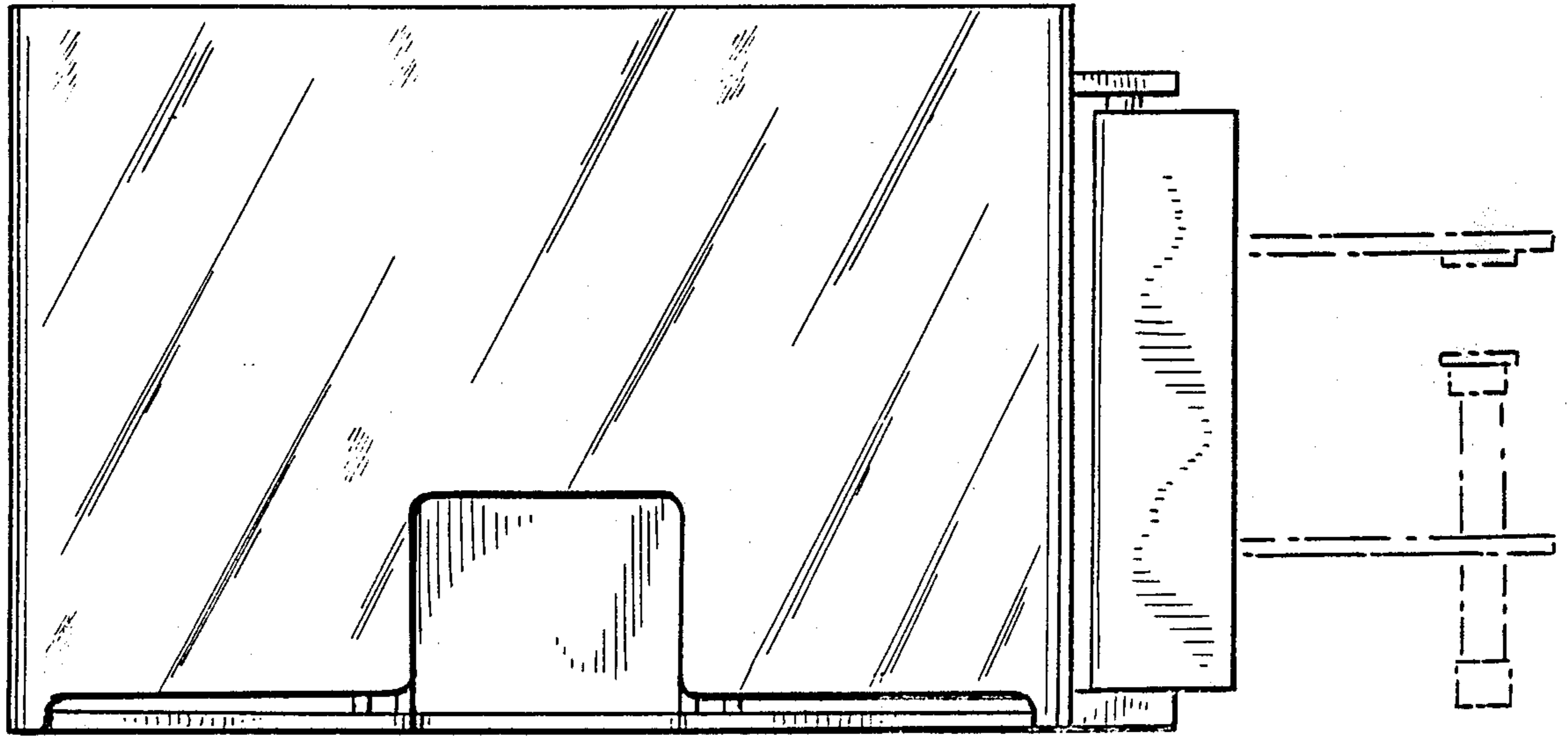


FIG. 5

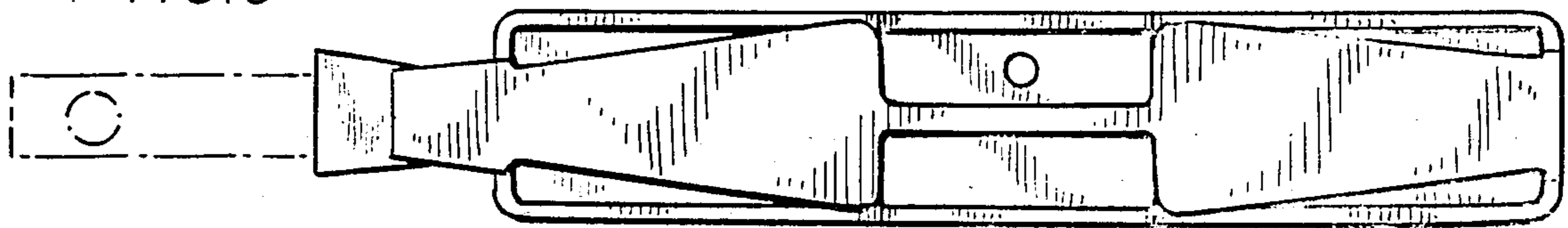


FIG. 6

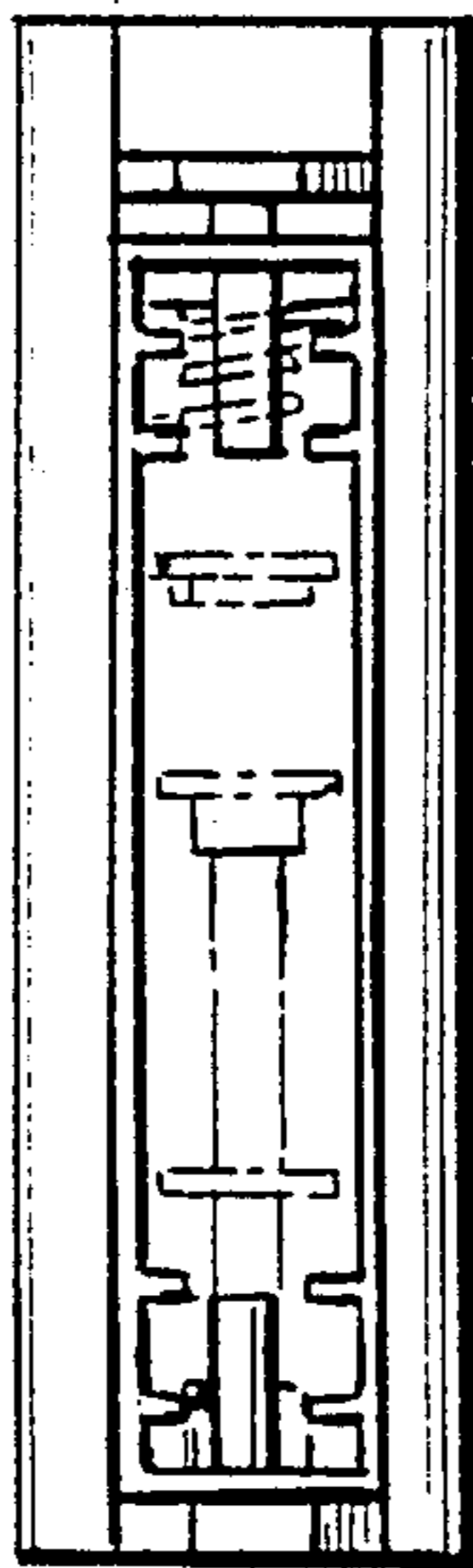


FIG. 7

