

- [54] TABLE
- [75] Inventor: George Mergenov, Longwood, Fla.
- [73] Assignee: Lune-Ching Hu, Paramount, Calif.
- [ \* ] Notice: The portion of the term of this patent subsequent to Oct. 24, 2003 has been disclaimed.
- [\*\*] Term: 14 Years
- [21] Appl. No.: 933,605
- [22] Filed: Nov. 20, 1986
- [52] U.S. Cl. .... D6/477
- [58] Field of Search ..... D6/461, 463, 477, 478, D6/479, 480, 482, 484, 490, 450, 451

- D. 240,582 7/1976 Friedman ..... D6/484
- D. 242,969 1/1977 Carter ..... D6/477

OTHER PUBLICATIONS

Industrial Design, Sep./Oct. 1982, p. 29.  
*Primary Examiner*—Nelson C. Holtje  
*Assistant Examiner*—Ann Hunt  
*Attorney, Agent, or Firm*—Poms, Smith, Lande & Rose

[57] CLAIM

The ornamental design for a table, as shown and described.

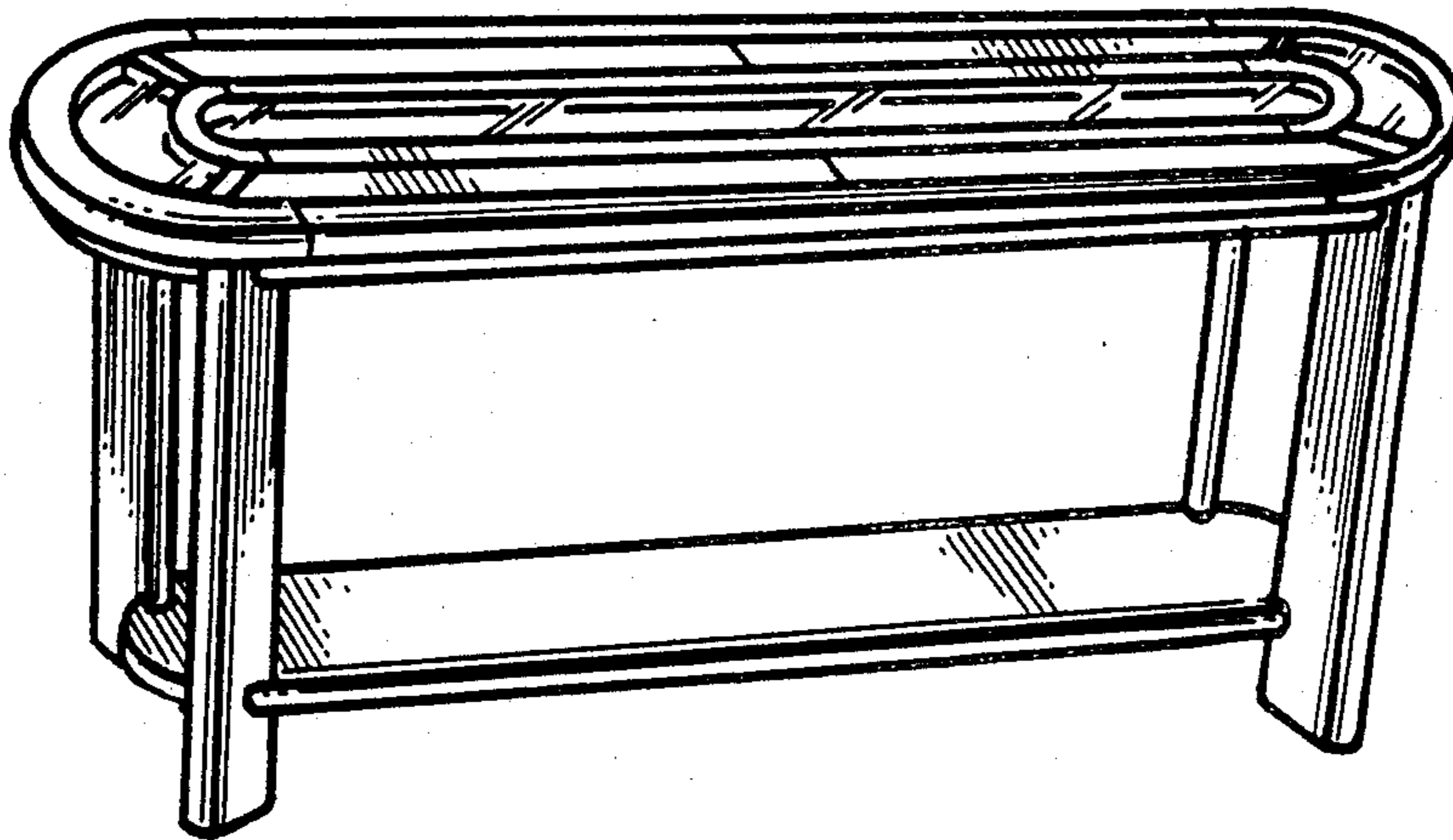
DESCRIPTION

FIG. 1 is a perspective view of a table showing my new design;  
 FIG. 2 is a top plan view thereof;  
 FIG. 3 is a left side elevational view, the right side being a mirror image thereto;  
 FIG. 4 is a front elevational view thereof, the back side being a mirror image thereto; and  
 FIG. 5 is a bottom plan view thereof.

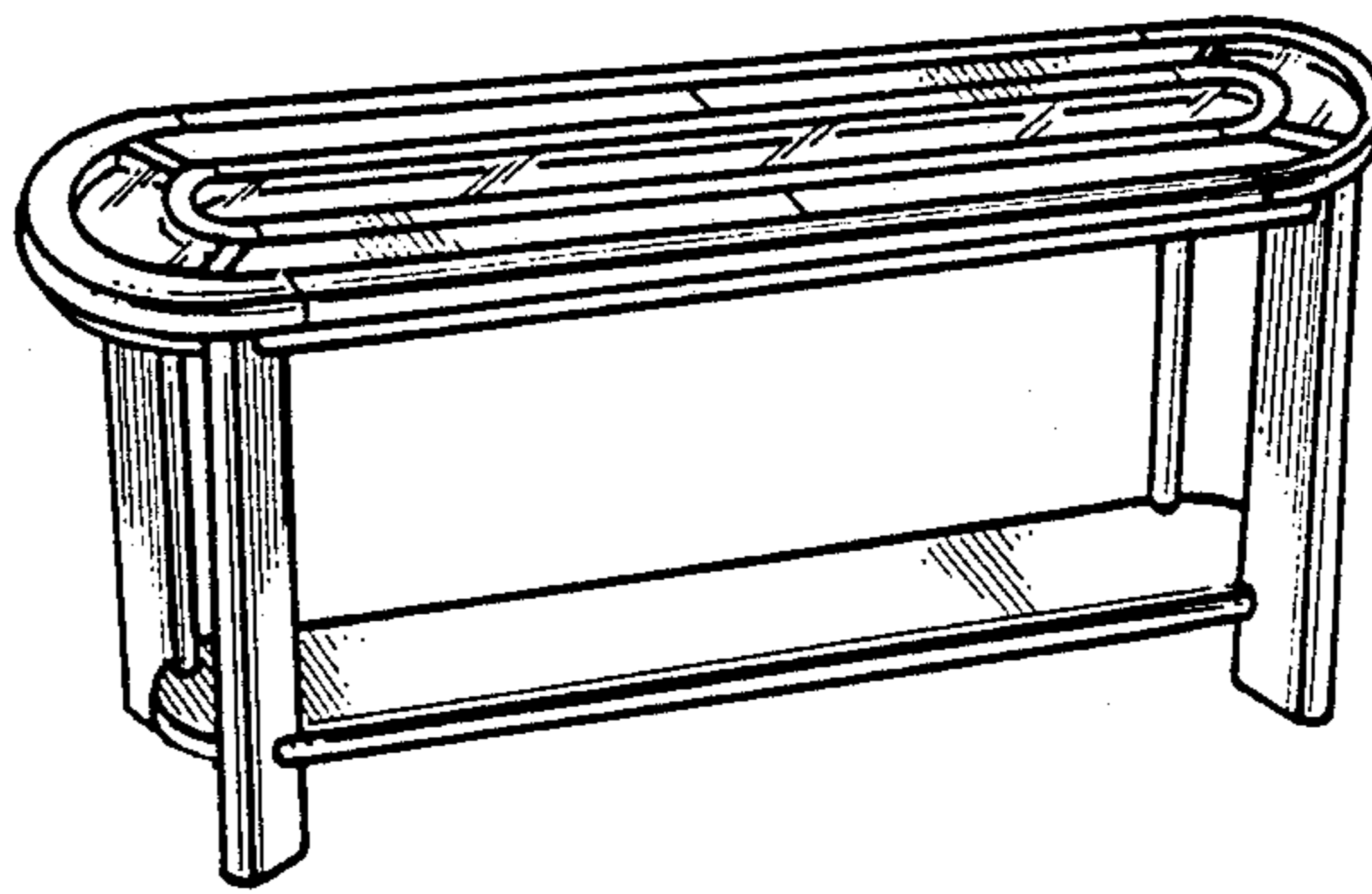
[56] References Cited

U.S. PATENT DOCUMENTS

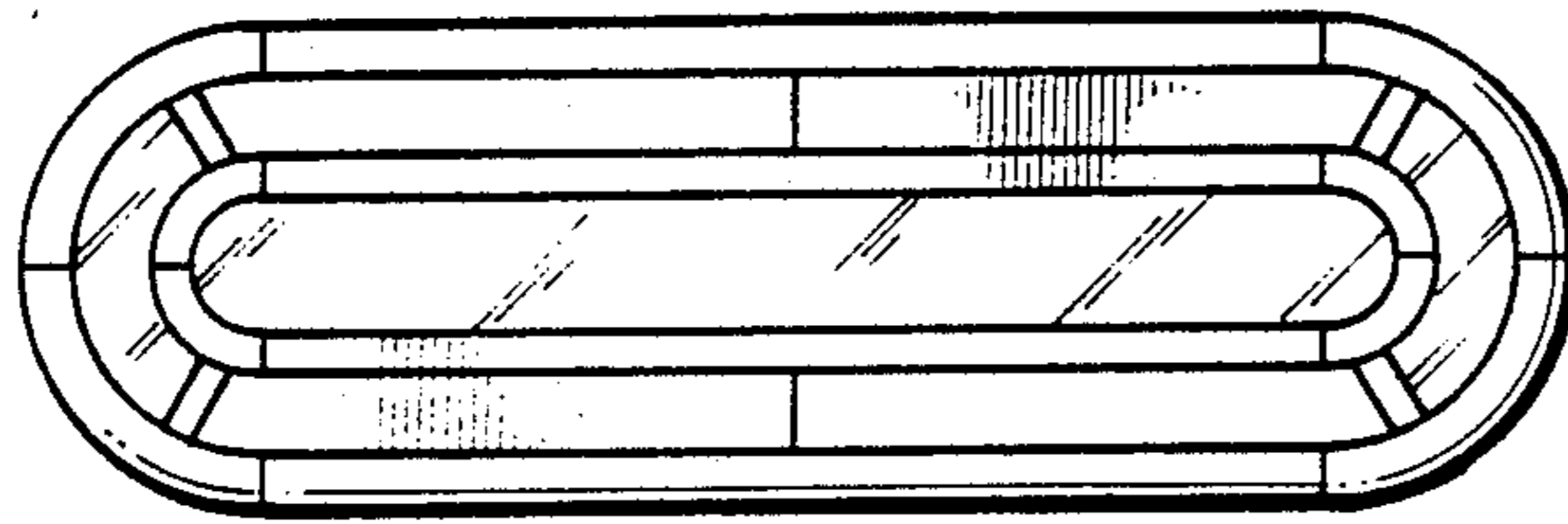
- D. 93,307 4/1934 Treitel ..... D6/488
- D. 134,388 11/1942 Waltman ..... D6/488
- D. 149,891 6/1948 Little ..... D6/477
- D. 164,105 7/1951 Creswell ..... D6/451



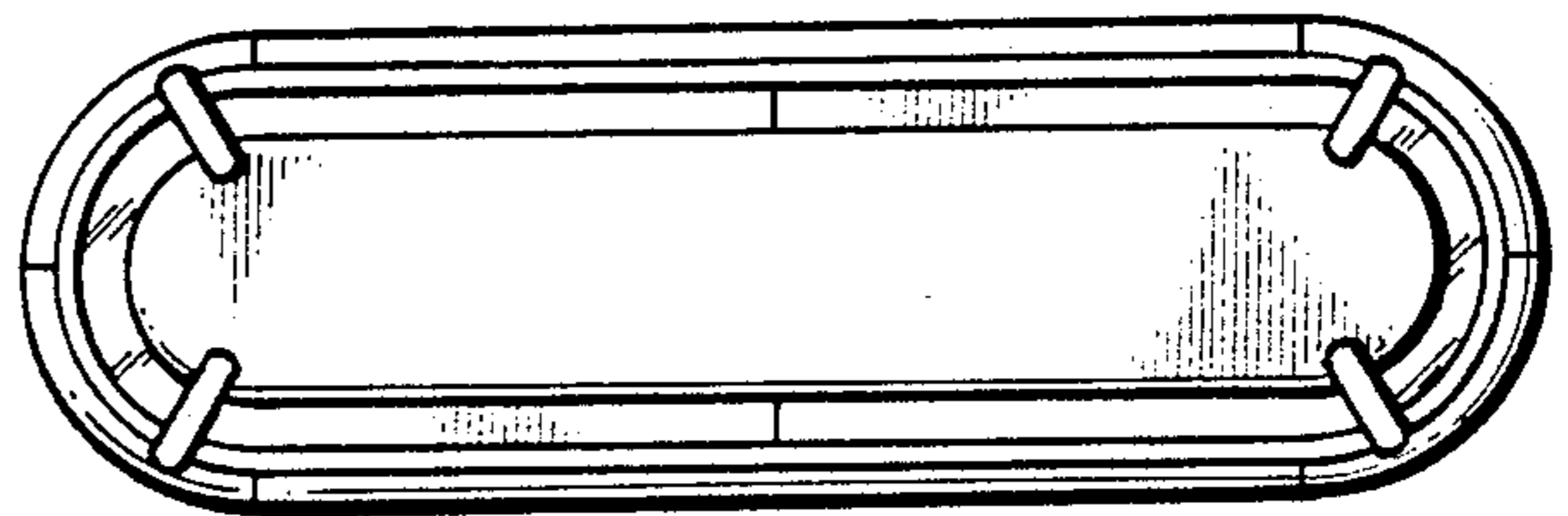
*Fig. 1.*



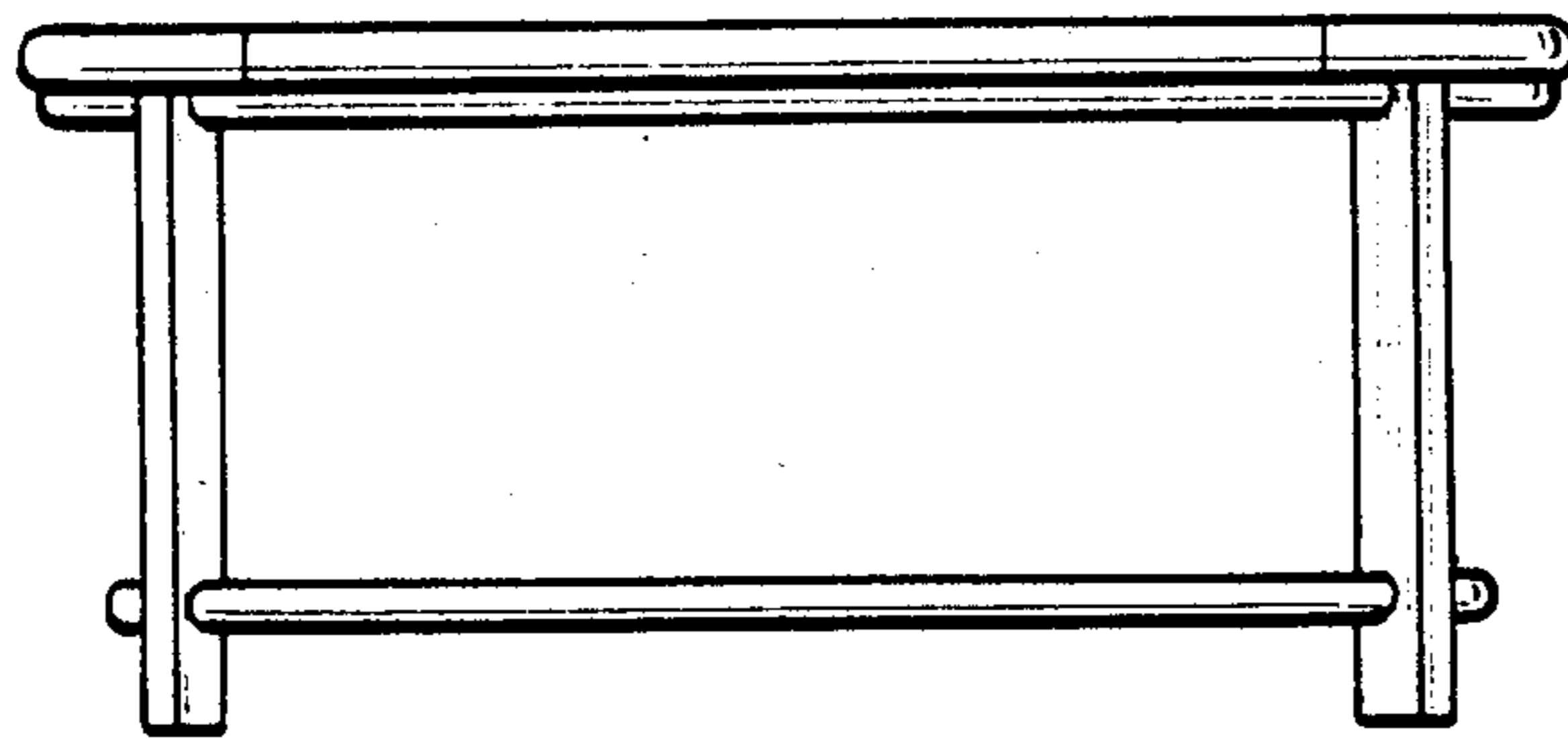
*Fig. 2.*



*Fig. 5.*



*Fig. 3.*



*Fig. 4.*

