

[54] TABLE

[75] Inventor: George Mergenov, Longwood, Fla.

[73] Assignee: Lune-Ching Hu, Paramount, Calif.

[*] Notice: The portion of the term of this patent subsequent to Oct. 24, 2003 has been disclaimed.

[**] Term: 14 Years

[21] Appl. No.: 933,604

[22] Filed: Nov. 20, 1986

[52] U.S. Cl. D6/477

[58] Field of Search D6/461, 463, 477, 478, D6/479, 480, 482, 484, 490, 450, 451

[56] References Cited

U.S. PATENT DOCUMENTS

- D. 93,307 4/1934 Treitel D6/488
- D. 134,388 11/1942 Waltman D6/488
- D. 149,891 6/1948 Little D6/477
- D. 164,105 7/1951 Creswell D6/451

- D. 240,582 7/1976 Friedman D6/484
- D. 242,969 1/1977 Carter D6/477

OTHER PUBLICATIONS

Industrial Design, Sep./Oct. 1982, p. 29.

Primary Examiner—Nelson C. Holtje

Assistant Examiner—Ann Hunt

Attorney, Agent, or Firm—Poms, Smith, Lande & Rose

[57] CLAIM

The ornamental design for a table, as shown and described.

DESCRIPTION

FIG. 1 is a perspective view of a table showing my new design;

FIG. 2 is a top plan view thereof;

FIG. 3 is a left side elevational view, the right side being a mirror image thereto;

FIG. 4 is a front elevational view thereof; the back side being a mirror image thereto; and

FIG. 5 is a bottom plan view thereof.

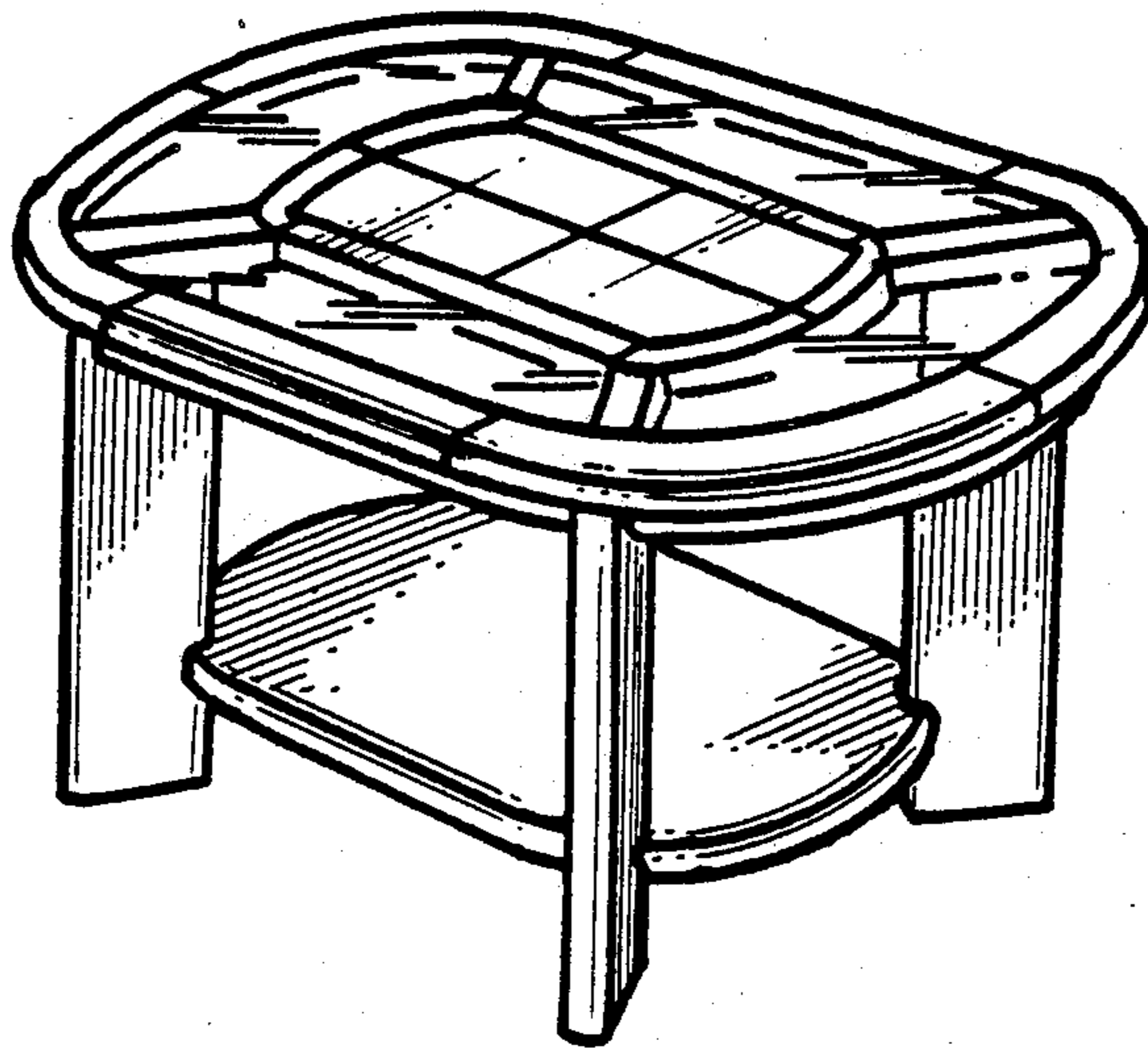


Fig. 1.

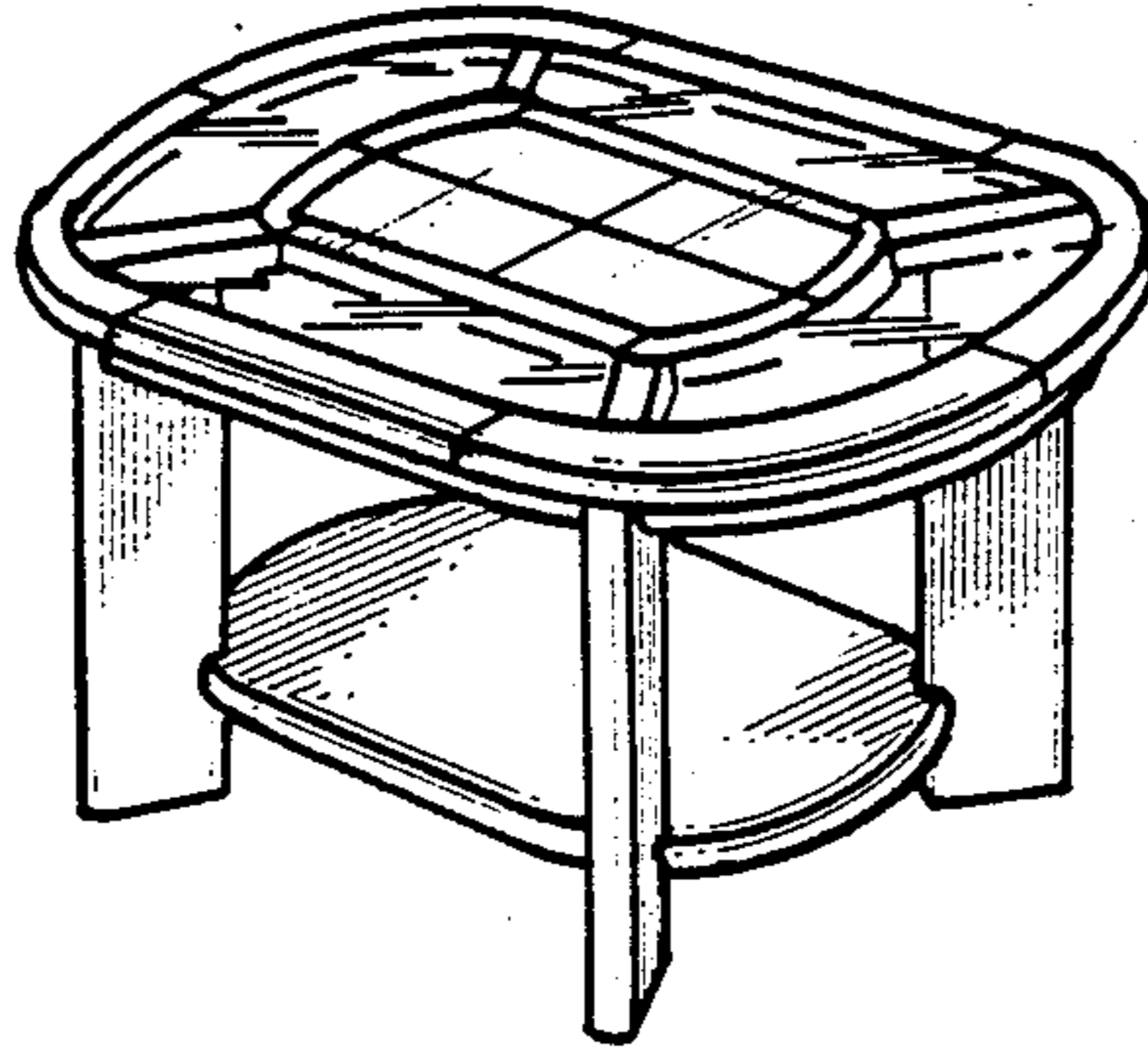


Fig. 2.

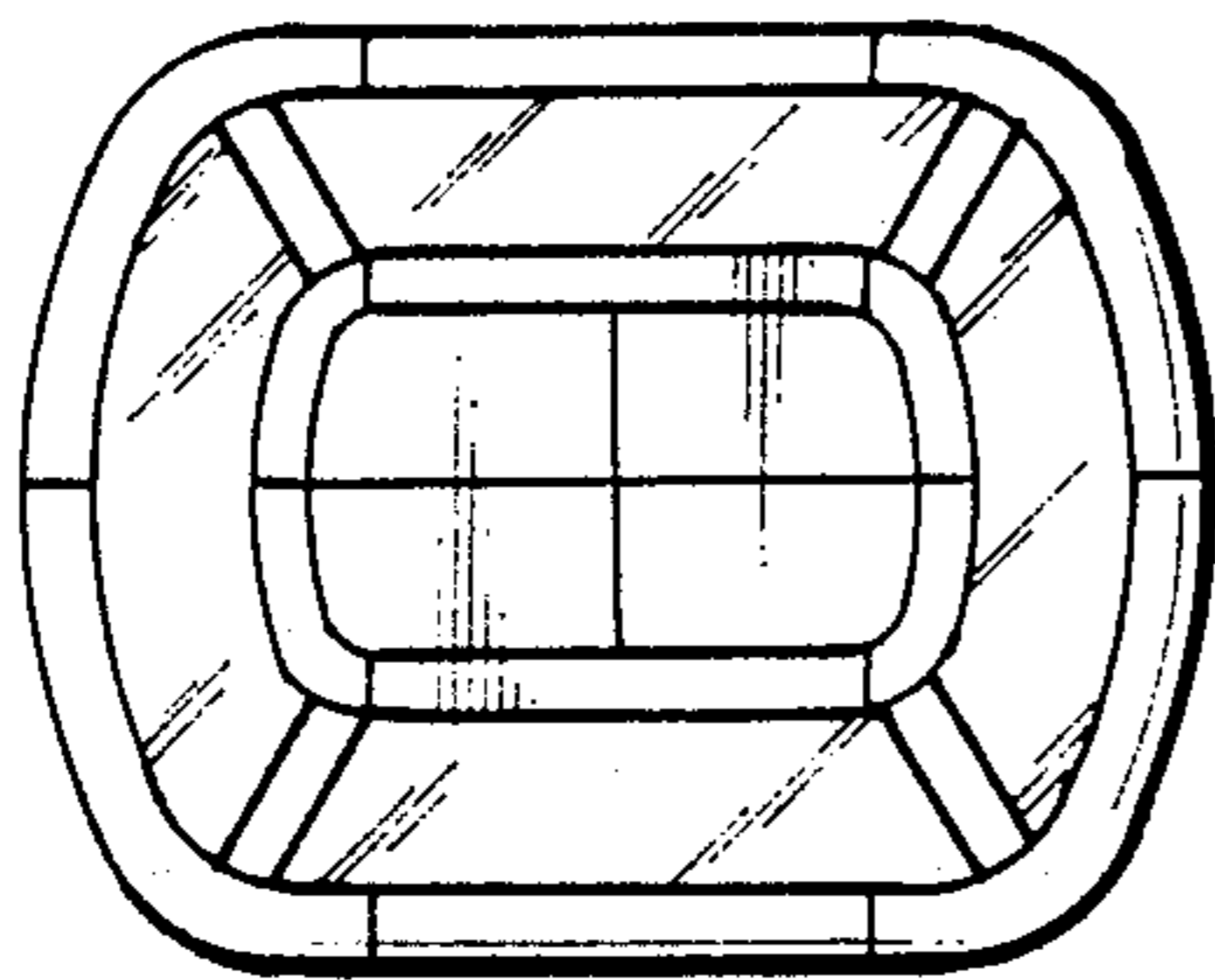


Fig. 5.

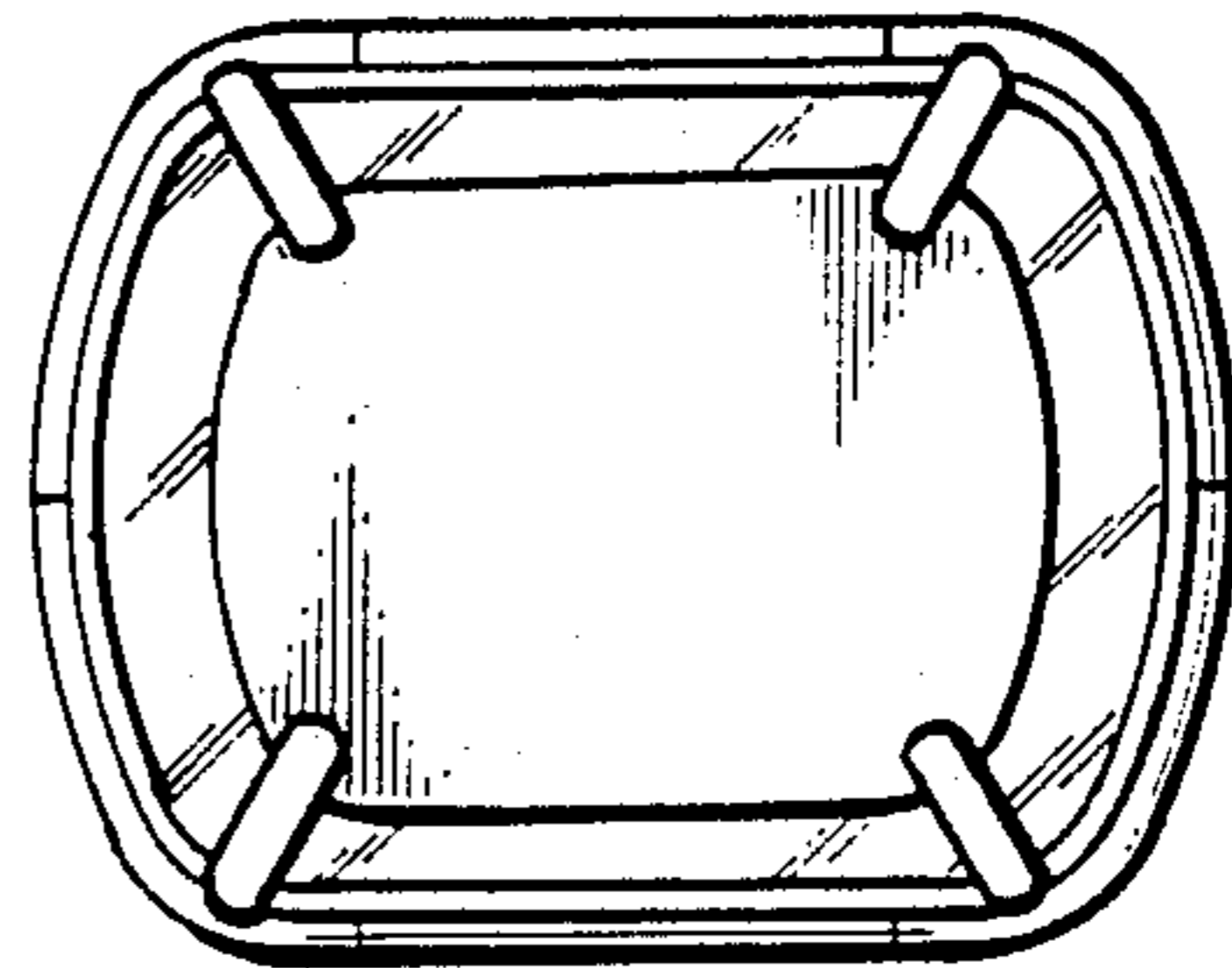


Fig. 3.

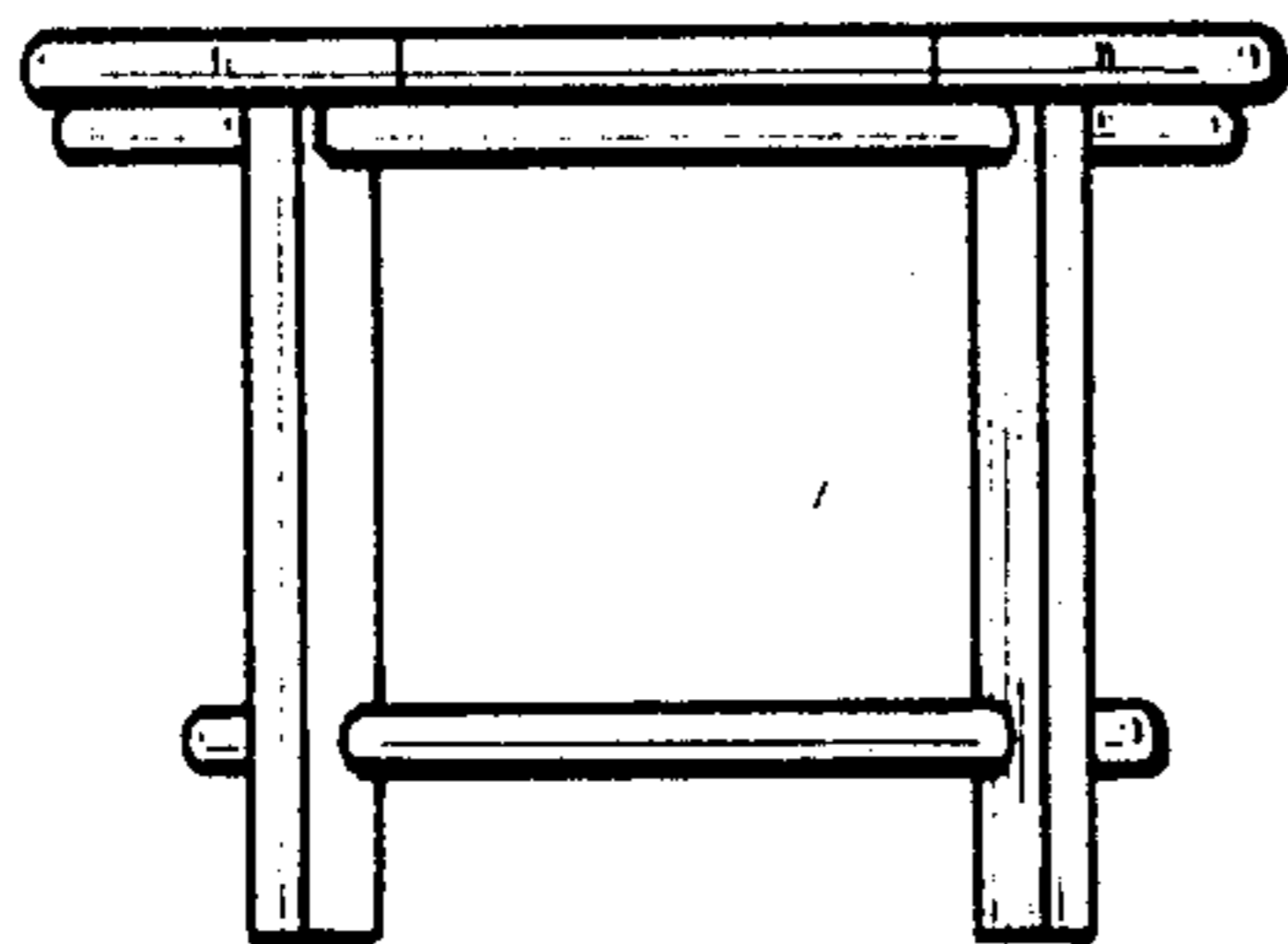


Fig. 4.

