

[54] BASE TRAY FOR AN ESPRESSO MACHINE AND A COFFEE MILL

[75] Inventor: Alberto Pandolfi, Milan, Italy

[73] Assignee: Brevetti Gaggia, S.p.A., Italy

[\*\*] Term: 14 Years

[21] Appl. No.: 367,498

[22] Filed: Jun. 16, 1989

Related U.S. Application Data

- [62] Division of Ser. No. 876,335, Jun. 19, 1986, Pat. No. D. 302,219.
- [52] U.S. Cl. .... D6/468; D6/474; D7/388; D7/397; D7/403
- [58] Field of Search ..... D6/440, 468, 467, 449, D6/474, 475, 511, 476; D7/38, 70, 388, 397, 403; D19/75, 87, 86, 92; D9/347

[56] References Cited

U.S. PATENT DOCUMENTS

D. 122,471	9/1940	Seigenberg	.....	D19/92
D. 200,373	2/1965	Schwartz	.....	D6/468
D. 254,944	5/1980	Lee et al.	.....	D6/467
D. 259,755	7/1981	Housman	.....	D6/475
D. 290,914	7/1987	Carlson	.....	D6/474
D. 292,858	11/1987	Wright et al.	.....	D6/511

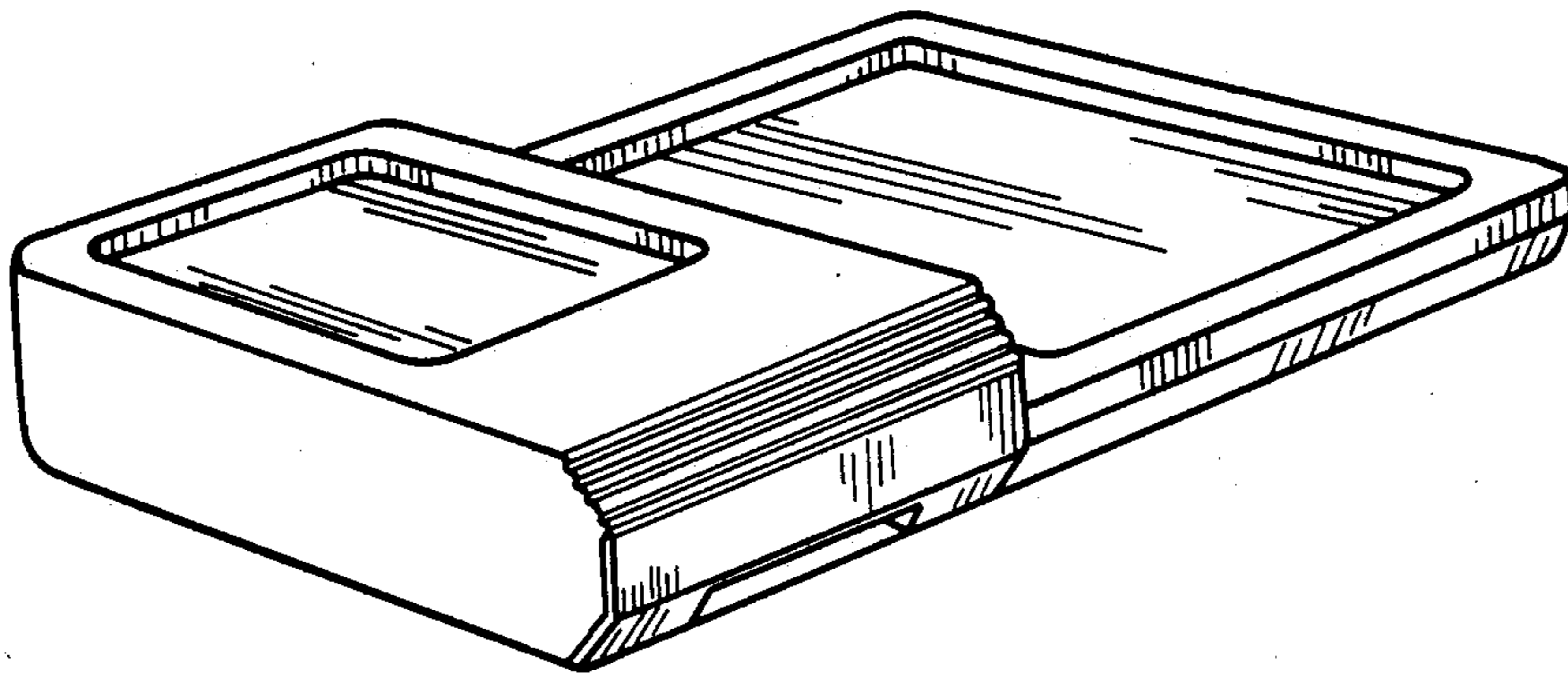
Primary Examiner—Winifred E. Herrmann  
Attorney, Agent, or Firm—D. Peter Hochberg; Mark Kusner; Louis J. Weisz

[57] CLAIM

The ornamental design for a base tray for an espresso machine and a coffee mill, as shown and described.

DESCRIPTION

FIG. 1 is a top, front, and left side perspective view of a base tray for an espresso machine and a coffee mill showing my new design;  
 FIG. 2 is a front elevational view thereof;  
 FIG. 3 is a top plan view thereof;  
 FIG. 4 is a right side elevational view thereof;  
 FIG. 5 is a bottom plan view thereof;  
 FIG. 6 is a left side elevational view thereof; and  
 FIG. 7 is a rear elevational view thereof.



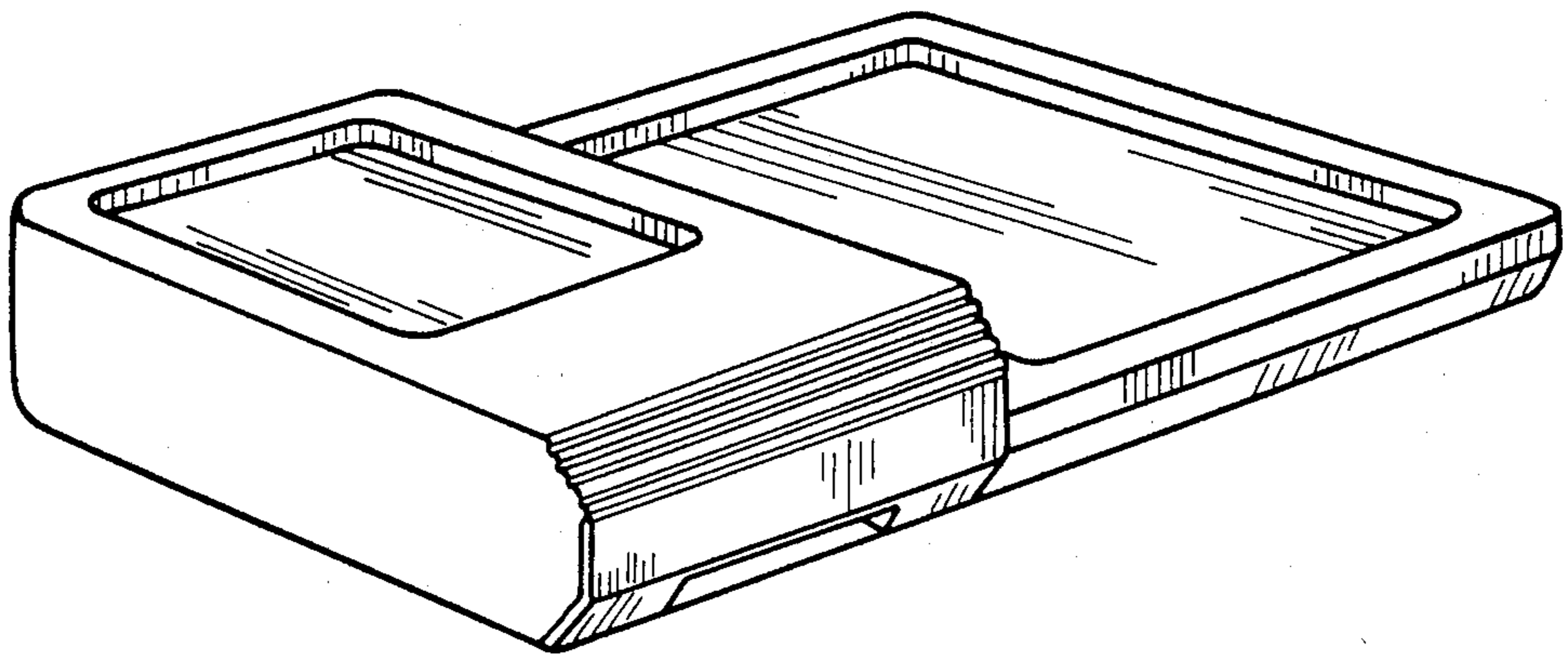


FIG. 1

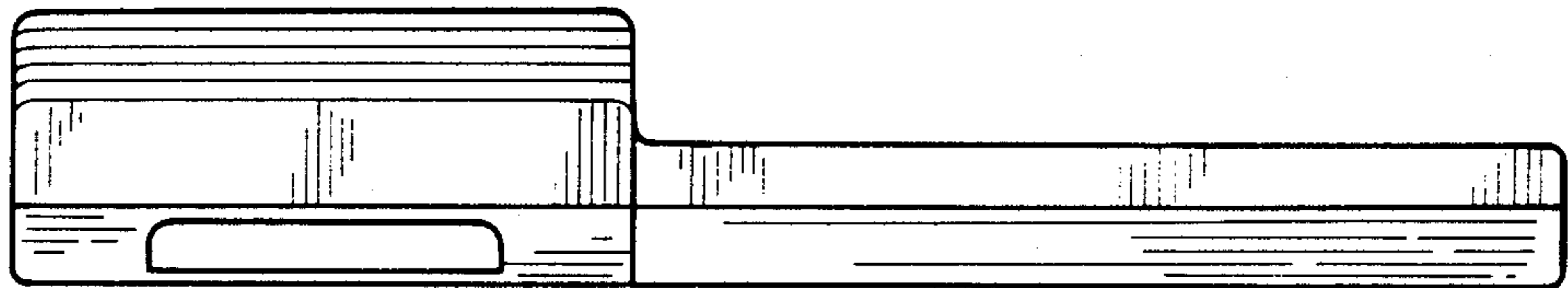


FIG. 2

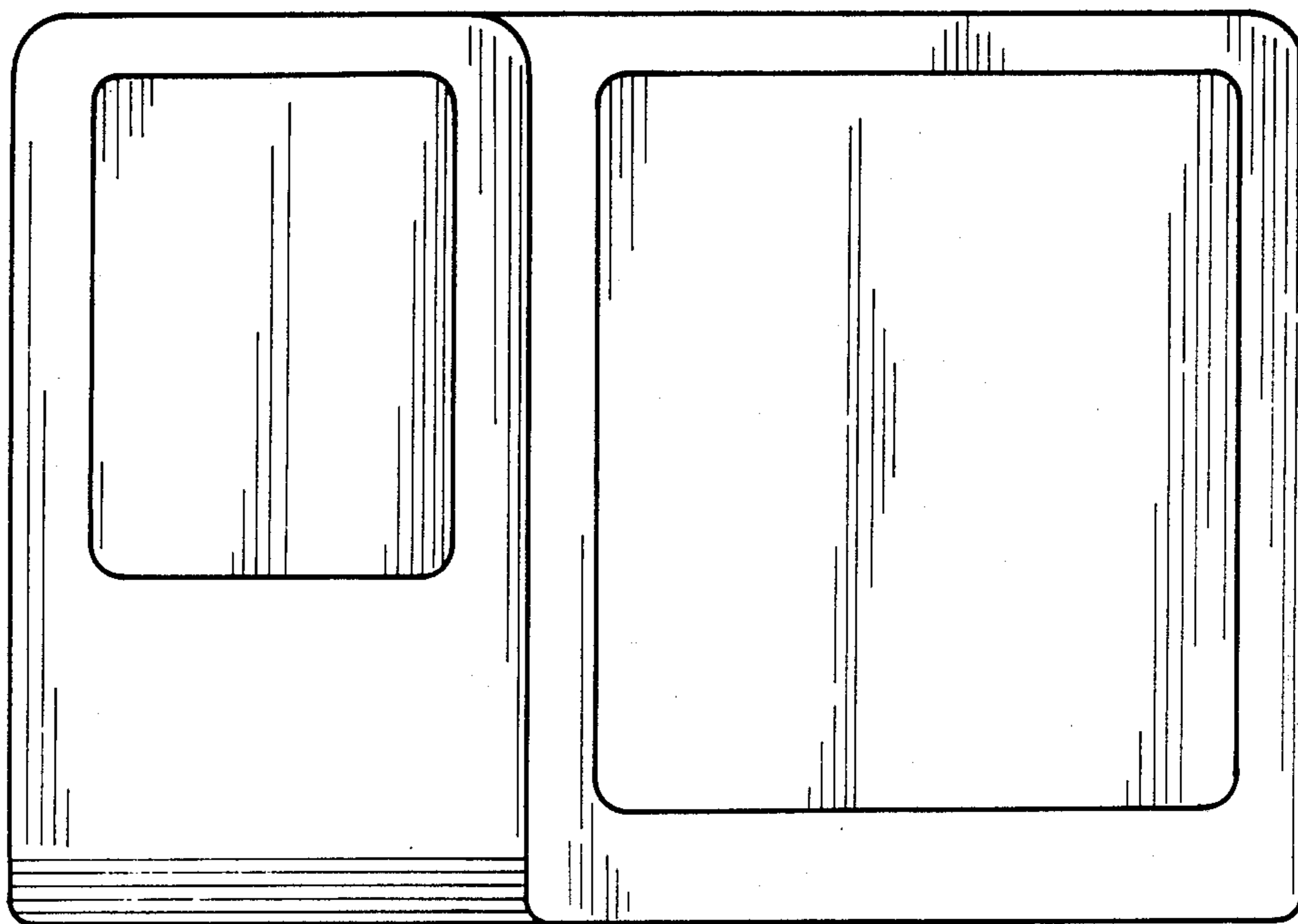


FIG. 3

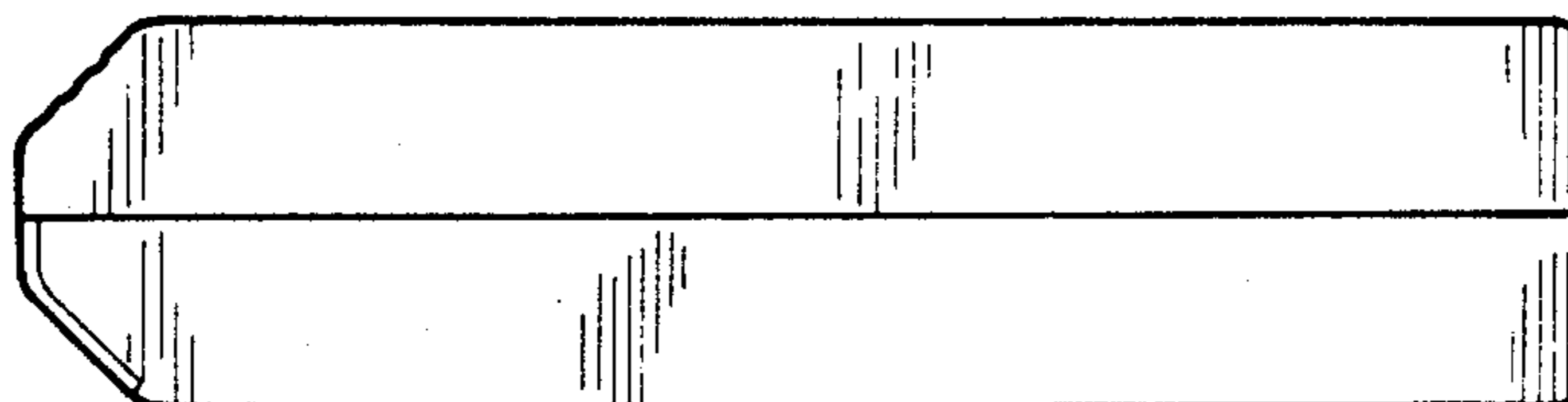


FIG. 4

FIG. 5

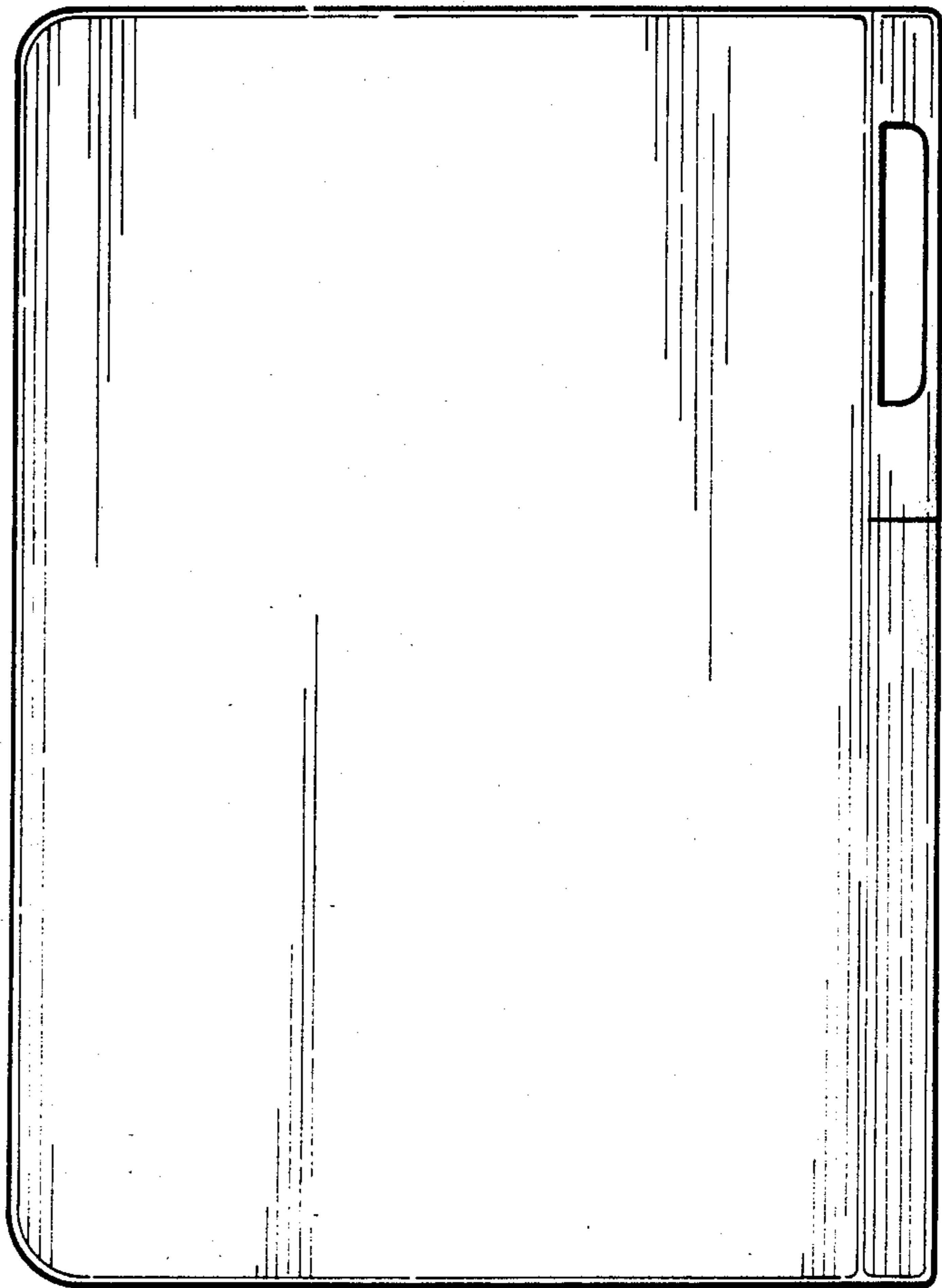


FIG. 6

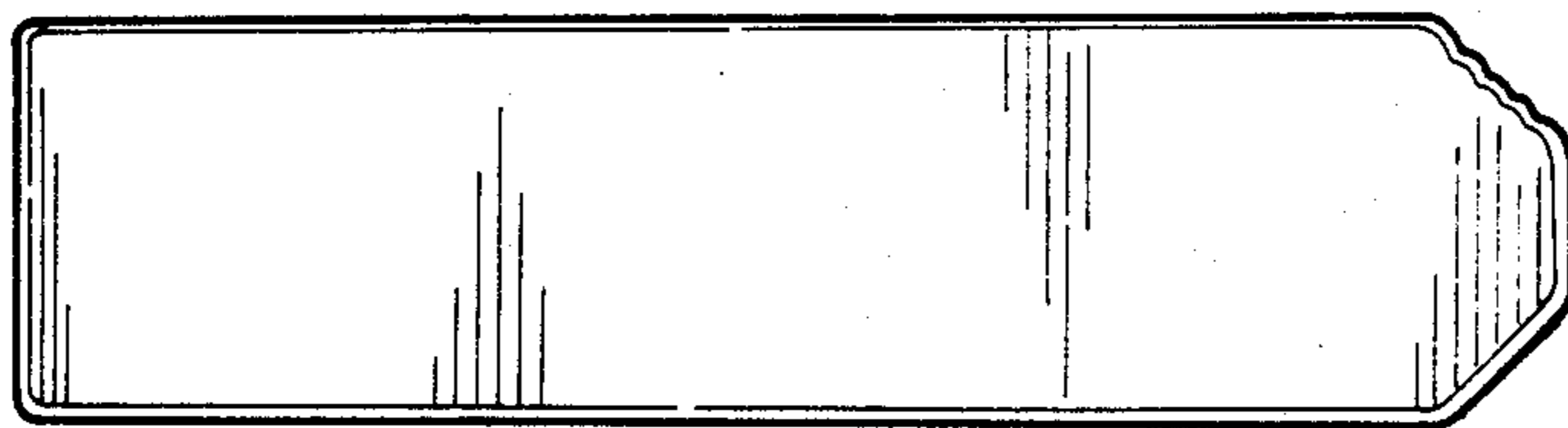


FIG. 7

