

[54] MULTI-PURPOSE LECTERN

[76] Inventors: David L. Bacon, 205 S. Higley, No. 212, Mesa, Ariz. 85206; Catharine P. Crawford, 1308 E. Steamboat Bend, Tempe, Ariz. 85283

[\*\*] Term: 14 Years

[21] Appl. No.: 903,093

[22] Filed: Sep. 2, 1986

[52] U.S. Cl. .... D6/419; D6/420; D6/440

[58] Field of Search ..... D6/419, 420, 421, 422, D6/423, 424, 425, 426, 427, 428; 312/194, 195, 196; 108/1, 3; 248/460, 447

[56] References Cited

U.S. PATENT DOCUMENTS

D. 118,484	1/1940	Salomon	.....	D6/420
D. 132,171	4/1942	Bersin	.....	D6/420
D. 186,321	10/1959	Carlson	.....	D6/420
D. 269,749	1/1981	Foster	.	
D. 277,531	2/1985	Moon	.....	D6/420
D. 300,092	3/1989	Middlemist	.....	D6/419
4,313,112	12/1979	Foster	.	

OTHER PUBLICATIONS

Health Science Products Inc., price list cover page dated 4/1/82 (Attach 1).  
Health Science Products Inc. advertisement, The Office magazine, 12/83 (Attach 2).  
Devoke Data Products catalog, 1/83, cover page and page 7 (Attach 3a & 3b), The Office magazine, 10/83, p. 216 (Attach 4).  
Input-ez Corp. technical sheets (Attach 5a & 5b).  
Global Computer Supplies, 3/87, pp. 1 and 61 (Attach 6a & 6b).  
Gaylord Supply Catalog, 1985-86 issue (Attach 7).

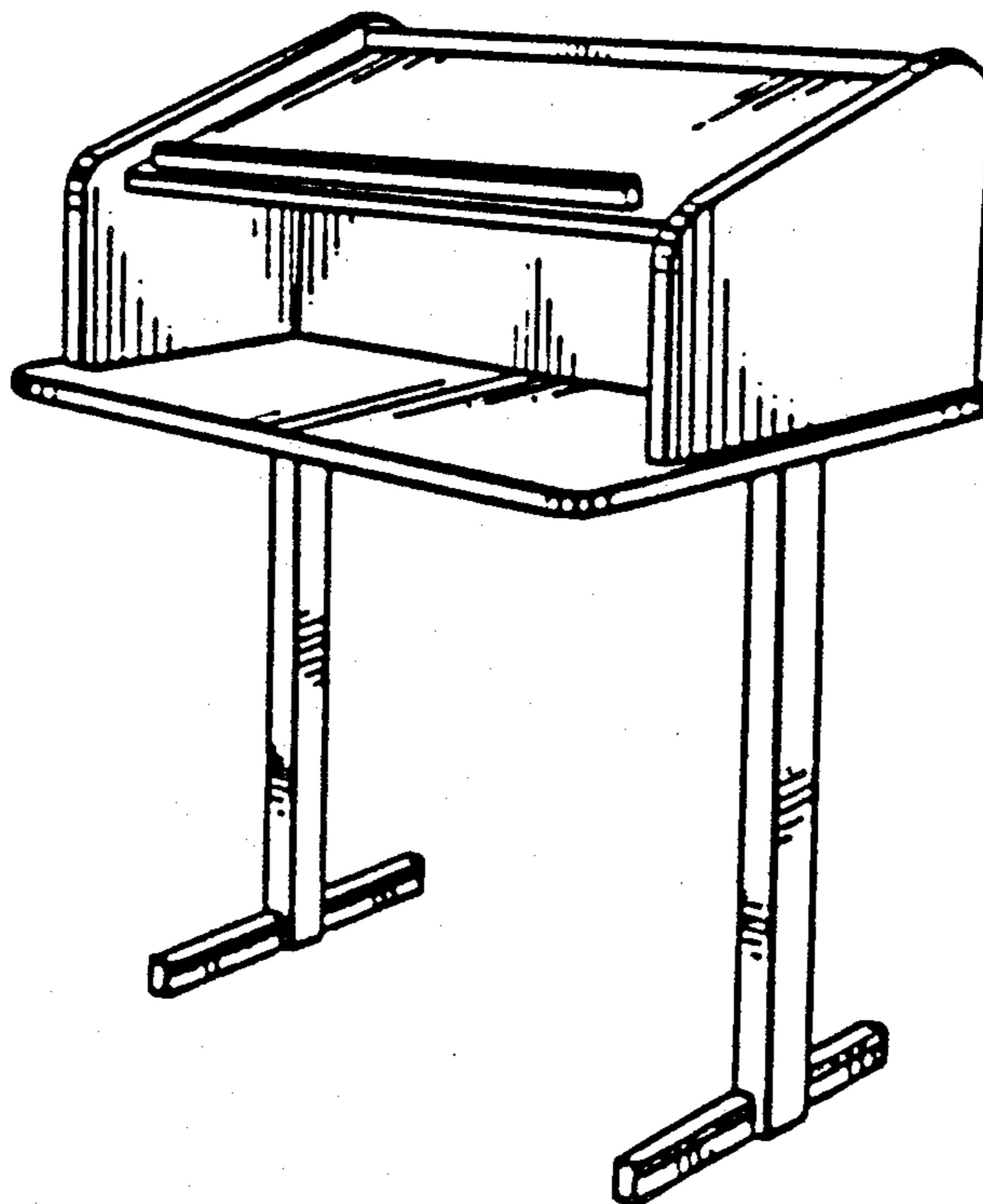
Primary Examiner—Carmen H. Vales-Lado  
Attorney, Agent, or Firm—Armstrong, Nikaido, Marmelstein, Kubovcik & Murray

[57] CLAIM

The ornamental design for a multi-purpose lectern, as shown and described.

DESCRIPTION

FIG. 1 is a perspective view of a multi-purpose lectern showing our new design;  
FIG. 2 is a perspective view with the cover in position of use, the legs broken away for convenience of illustration;  
FIG. 3 is a front elevational view thereof;  
FIG. 4 is a side elevational view thereof;  
FIG. 5 is a top plan view thereof;  
FIG. 6 is a rear elevational view thereof; and  
FIG. 7 is a bottom plan view thereof.



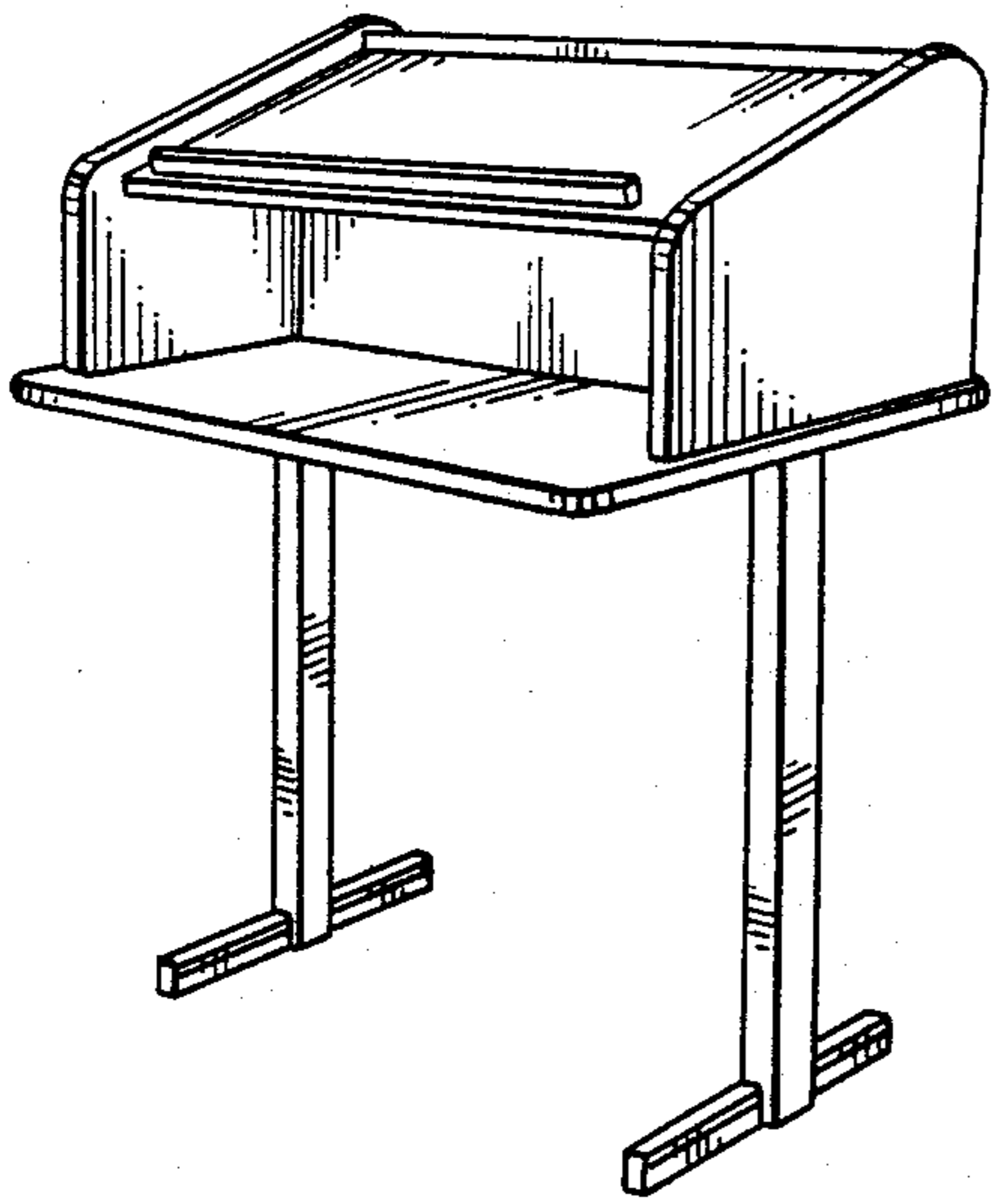


Fig. 1

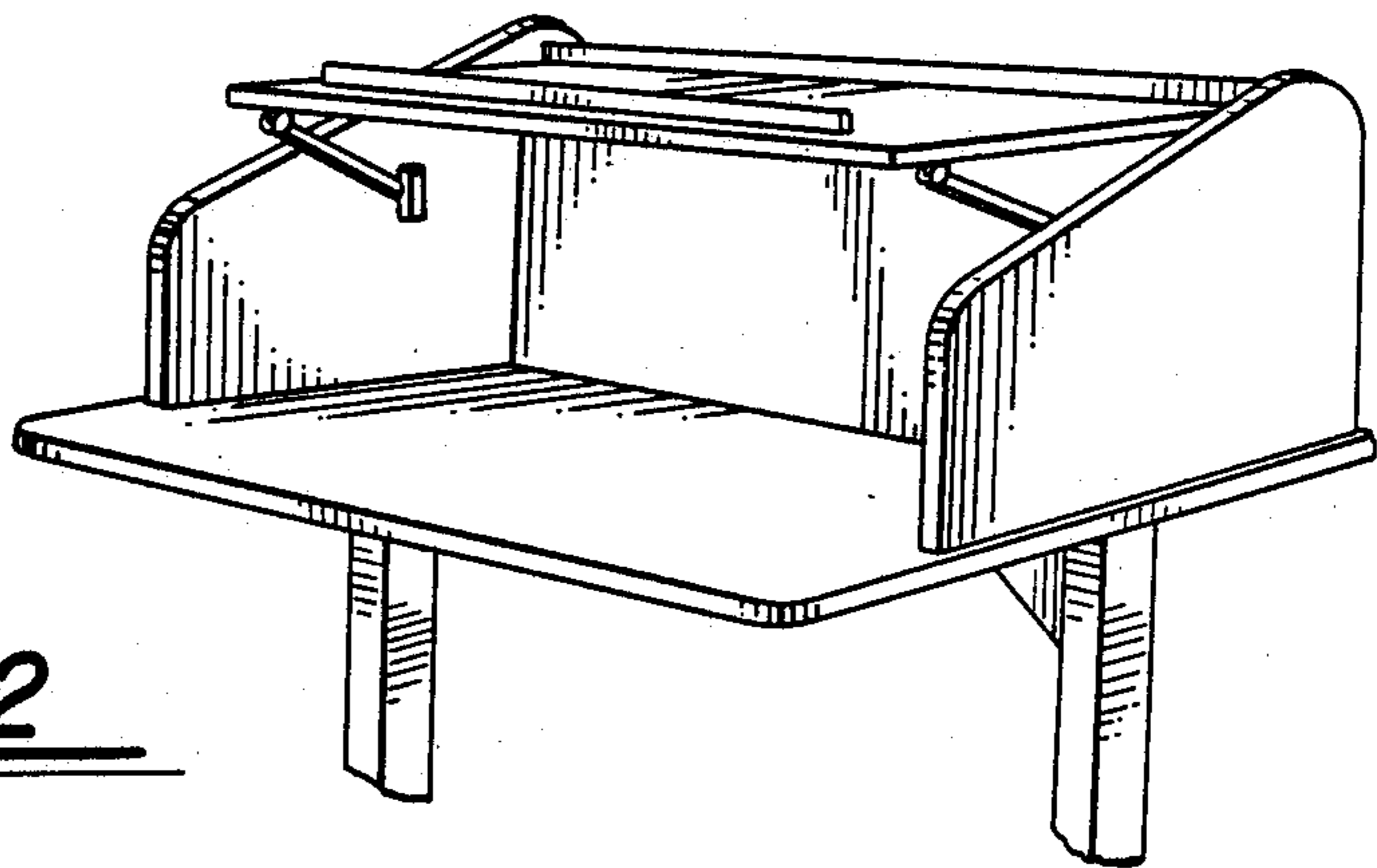


Fig. 2

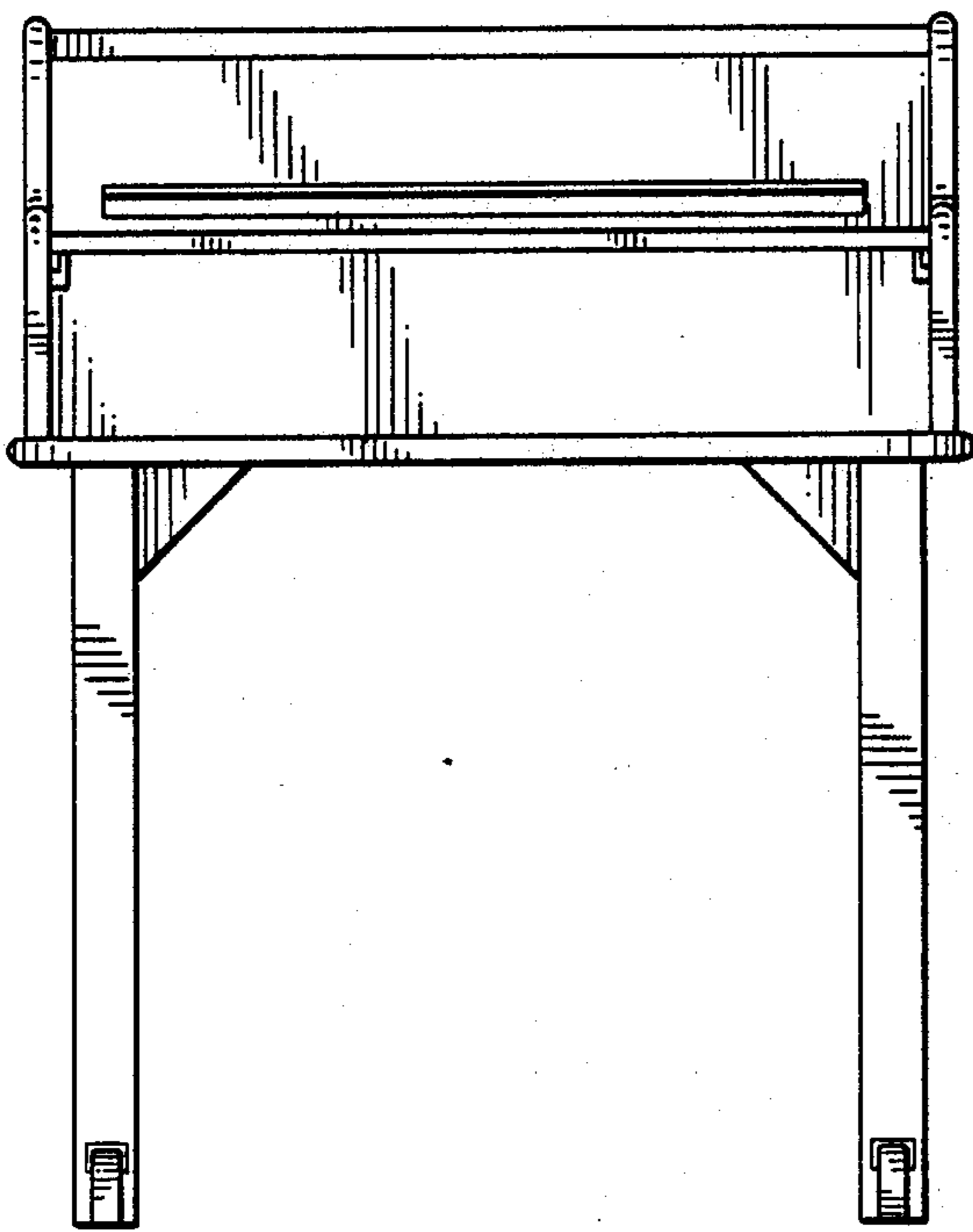


Fig. 3

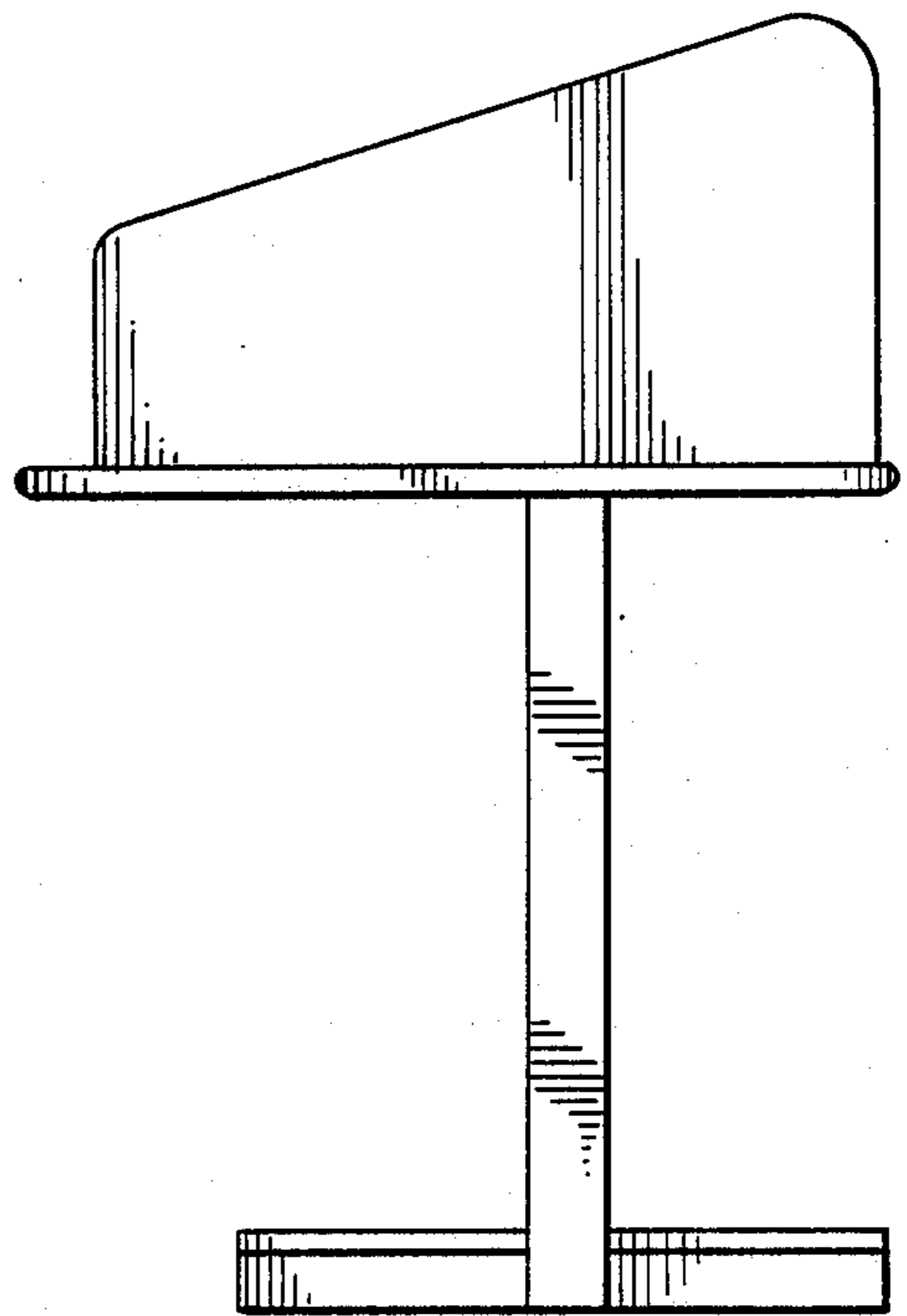


Fig. 4

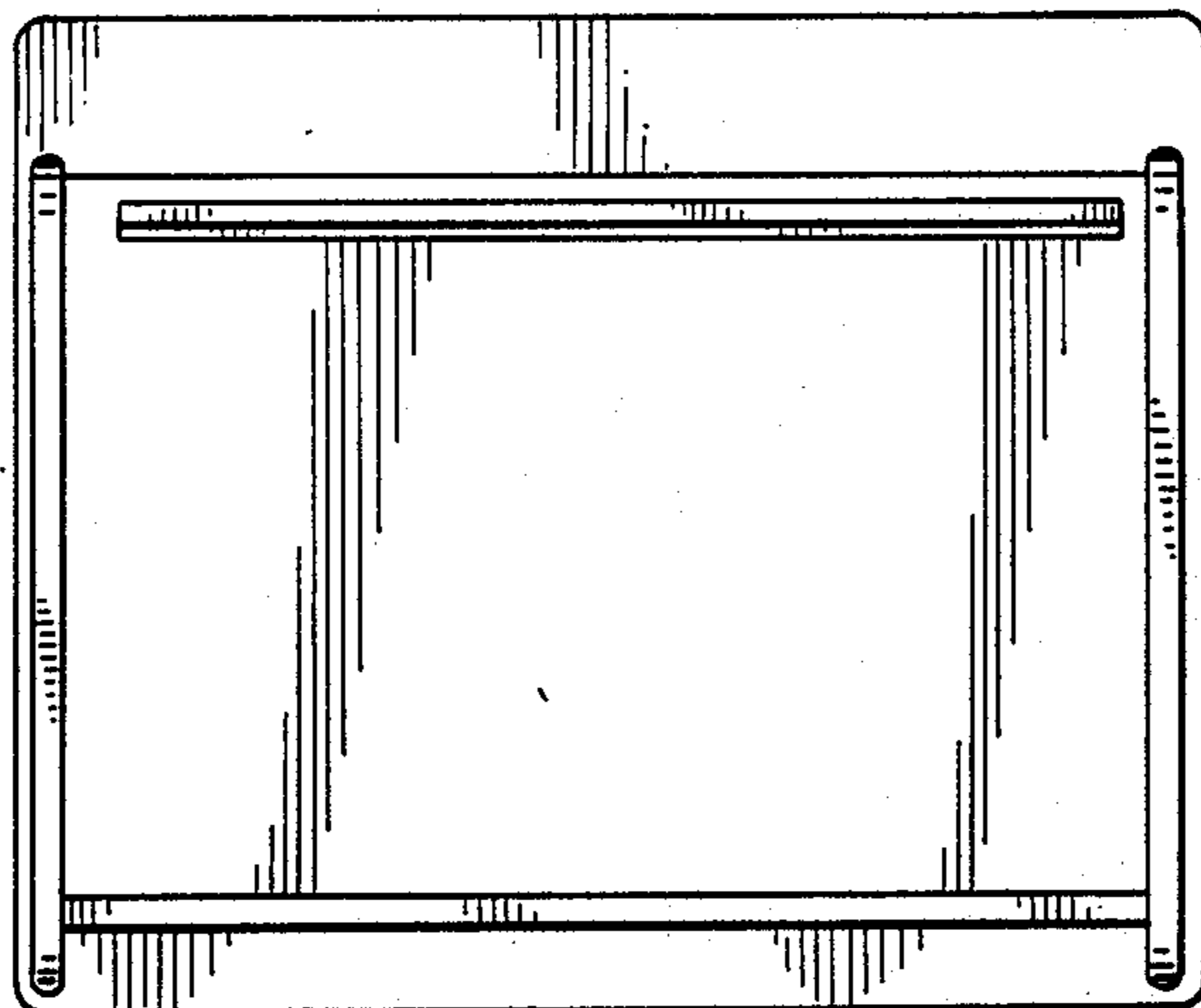


Fig. 5

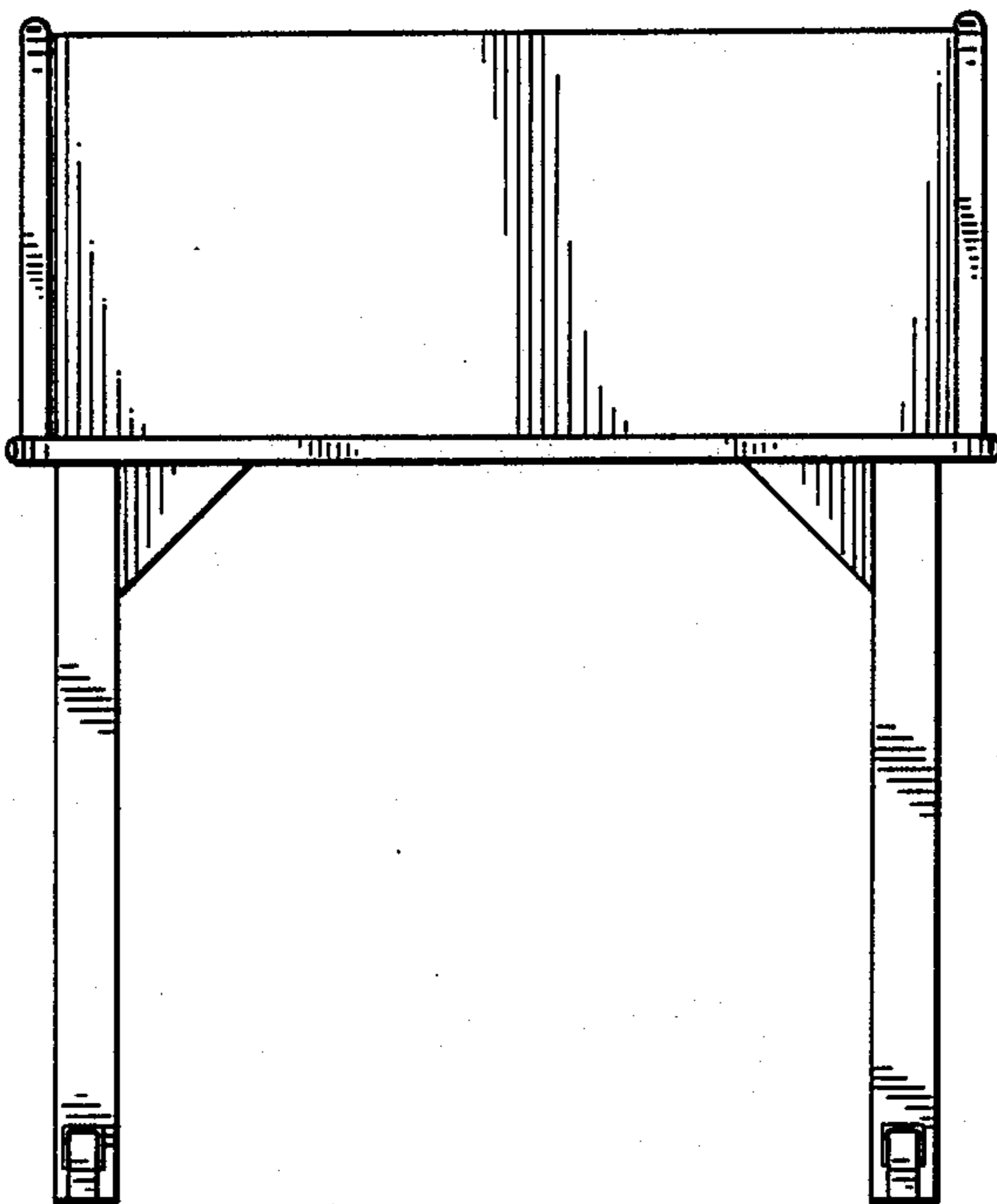


Fig. 6

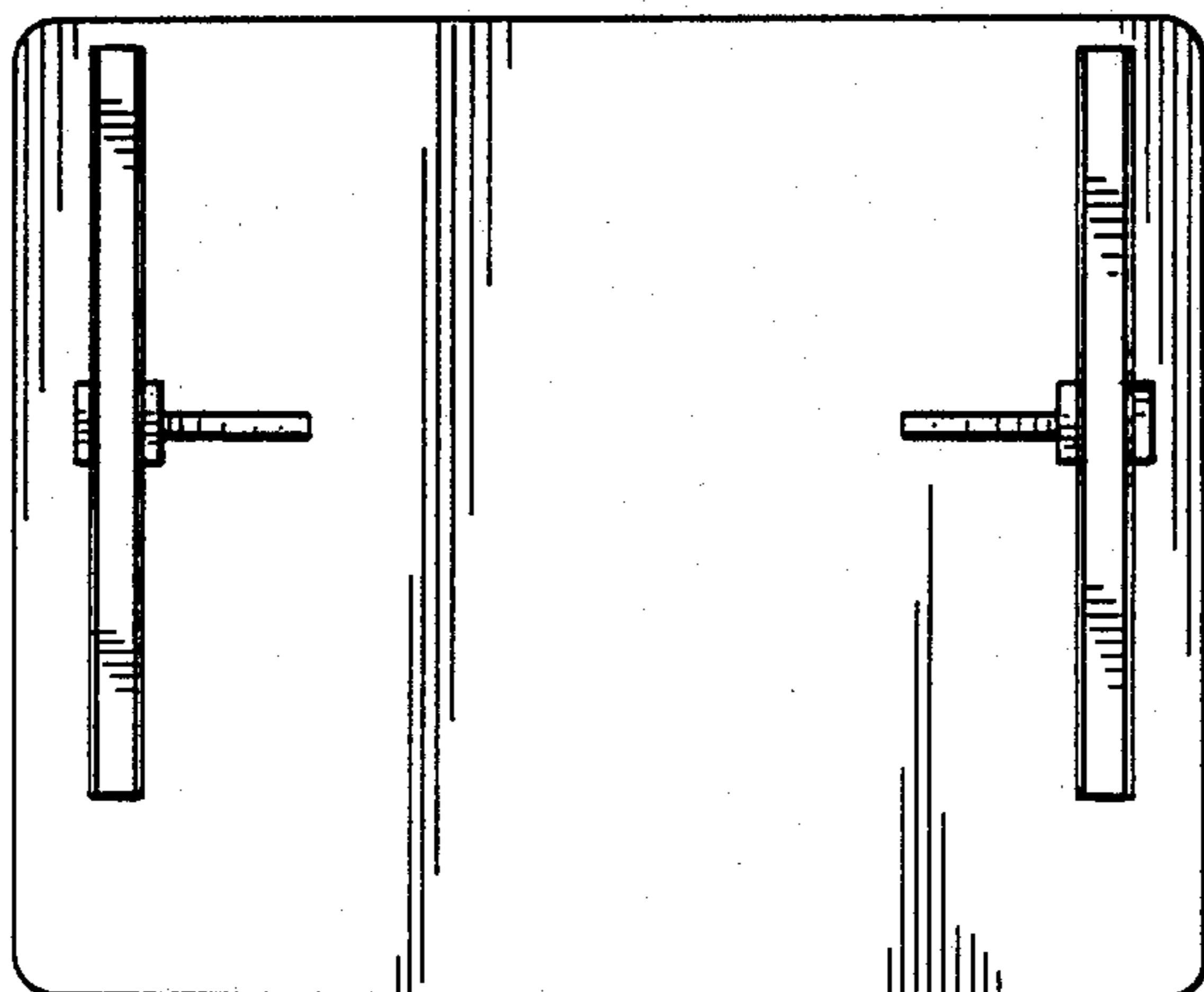


Fig. 7