

[54] COAT RACK

[76] Inventor: Barry R. Fritsch, 7772 Dean Rd., Indianapolis, Ind. 46240

[**] Term: 14 Years

[21] Appl. No.: 61,574

[22] Filed: Jun. 15, 1987

[52] U.S. Cl. D6/412

[58] Field of Search D6/411, 412, 413, 414, D6/415, 450; 211/13, 30, 33

[56] References Cited

U.S. PATENT DOCUMENTS

D. 42,684	7/1912	Buyer	D6/450
D. 127,028	5/1941	Warren	.	
D. 175,139	7/1955	Allen	D6/412
D. 195,568	7/1963	Gleitsman et al.	.	
D. 229,377	11/1973	Johnson	D6/450 X
D. 231,163	4/1974	Lee	D6/412
D. 238,405	1/1976	Athey	D6/412 X

D. 250,866	1/1979	Mulligan	D6/450 X
D. 285,393	9/1986	Miller	D6/412
D. 302,081	7/1989	Elliott	D6/412
346,293	7/1886	Lavaggi	.	
649,883	5/1900	Youngs	.	
702,232	6/1902	Moore	.	
1,510,661	10/1924	Ellingsen	.	
2,010,093	8/1935	Lazarus	.	

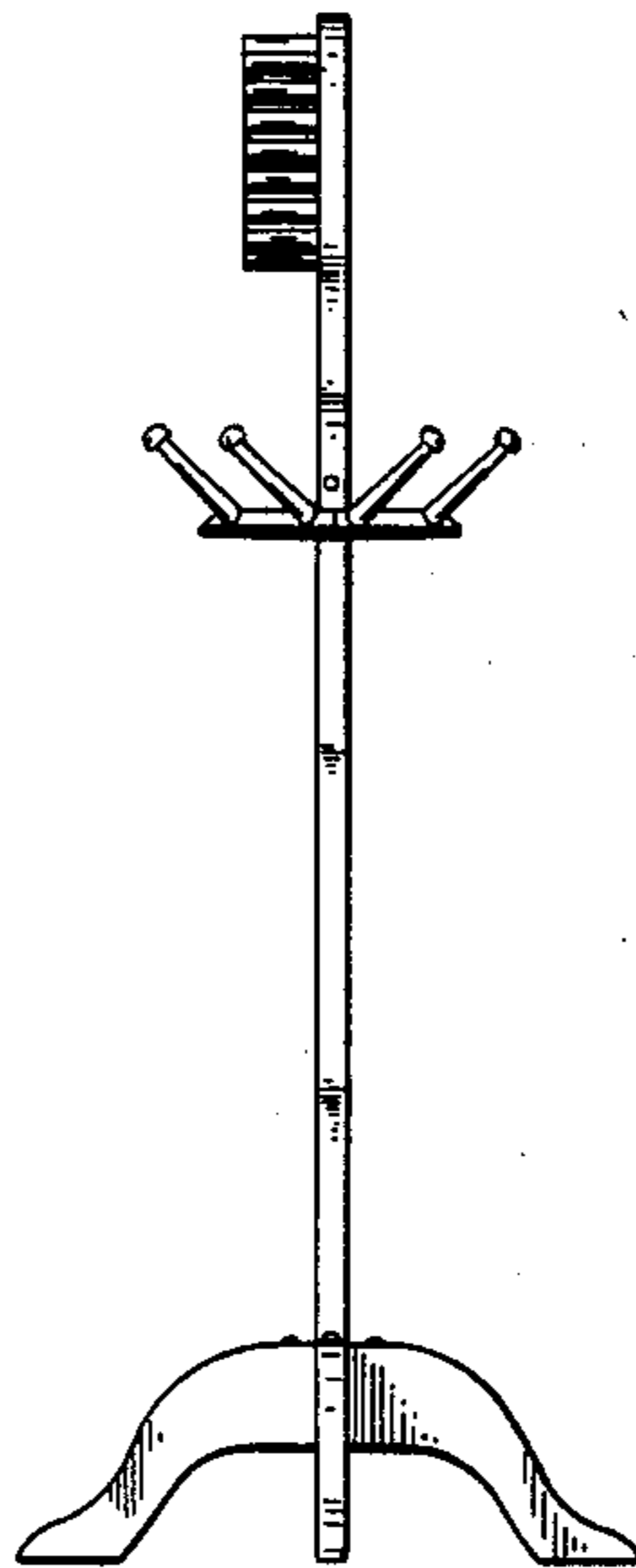
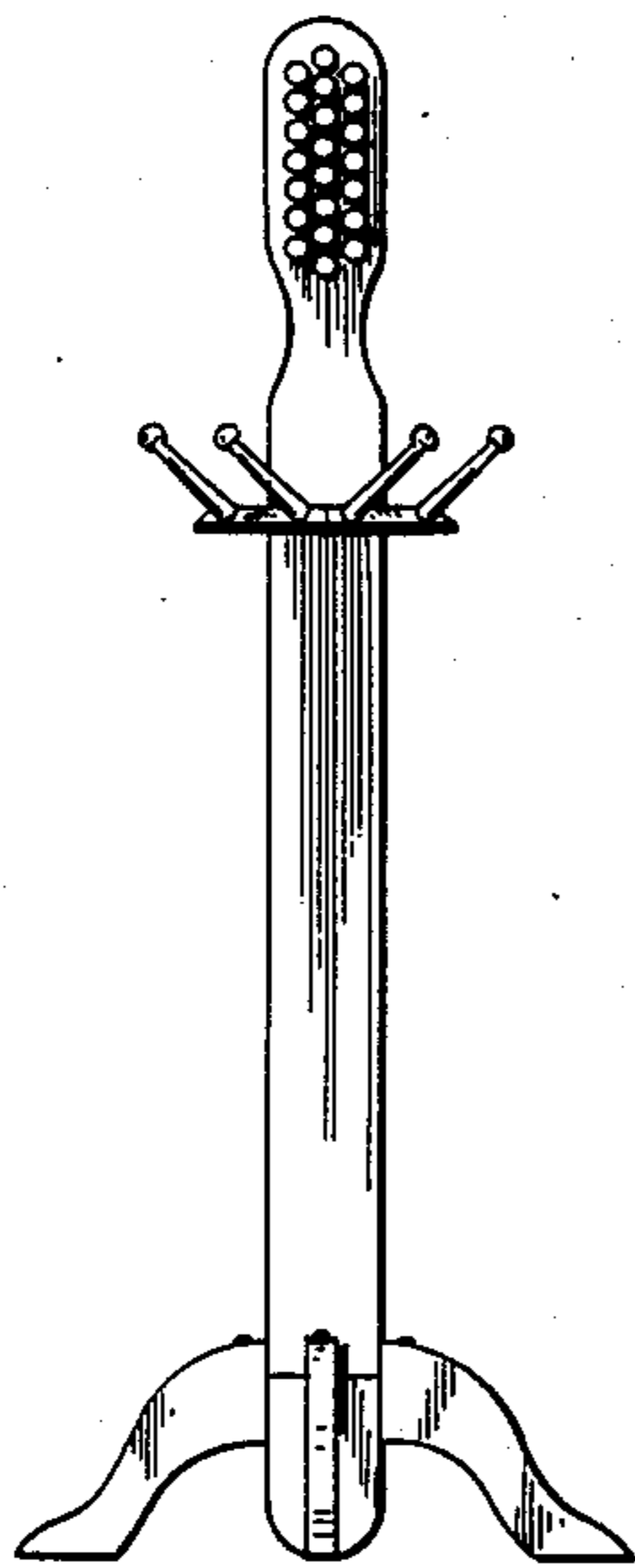
Primary Examiner—Carmen H. Vales-Lado
Attorney, Agent, or Firm—Barnes & Thornburg

[57] CLAIM

The ornamental design for a coat rack, as shown.

DESCRIPTION

FIG. 1 is a front elevational view of a coat rack showing my new design;
FIG. 2 is a bottom plan view thereof;
FIG. 3 is a top plan view thereof;
FIG. 4 is a right side elevational view thereof;
FIG. 5 is a rear elevational view thereof; and
FIG. 6 is a left side elevational view thereof.



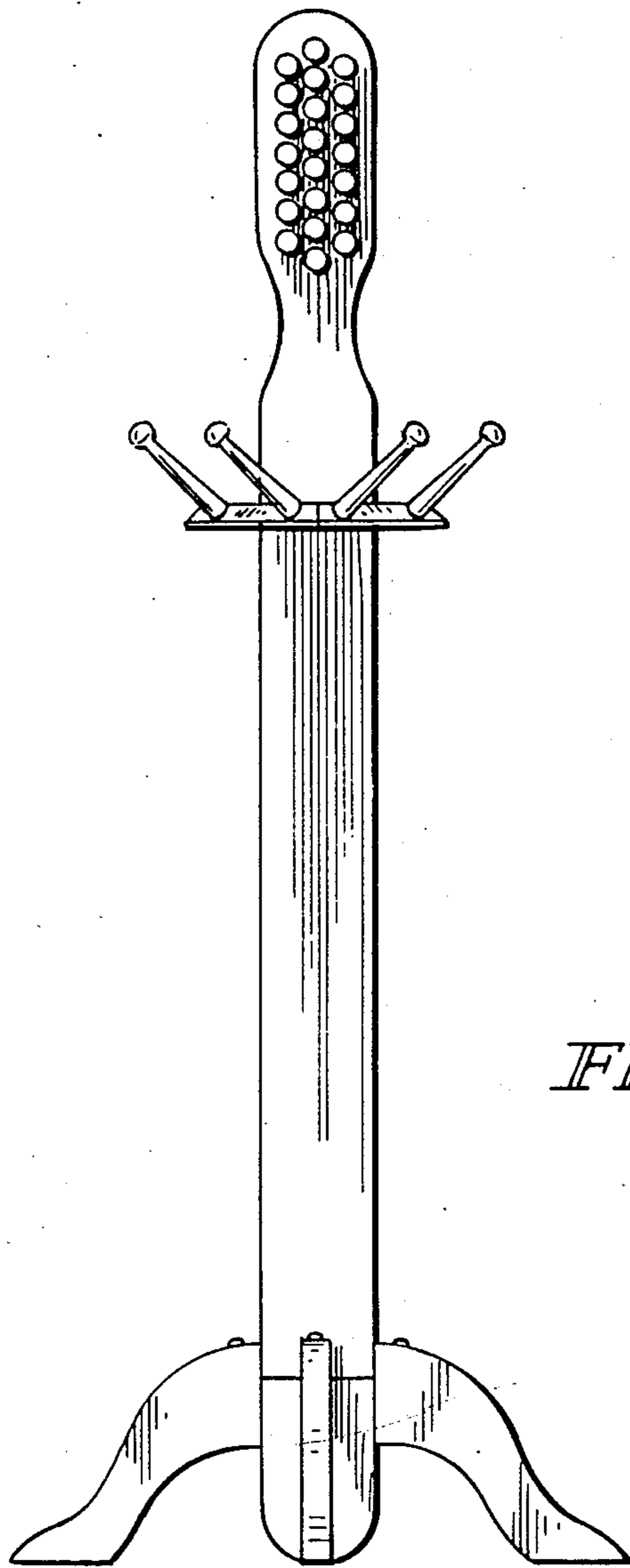


FIG. 1

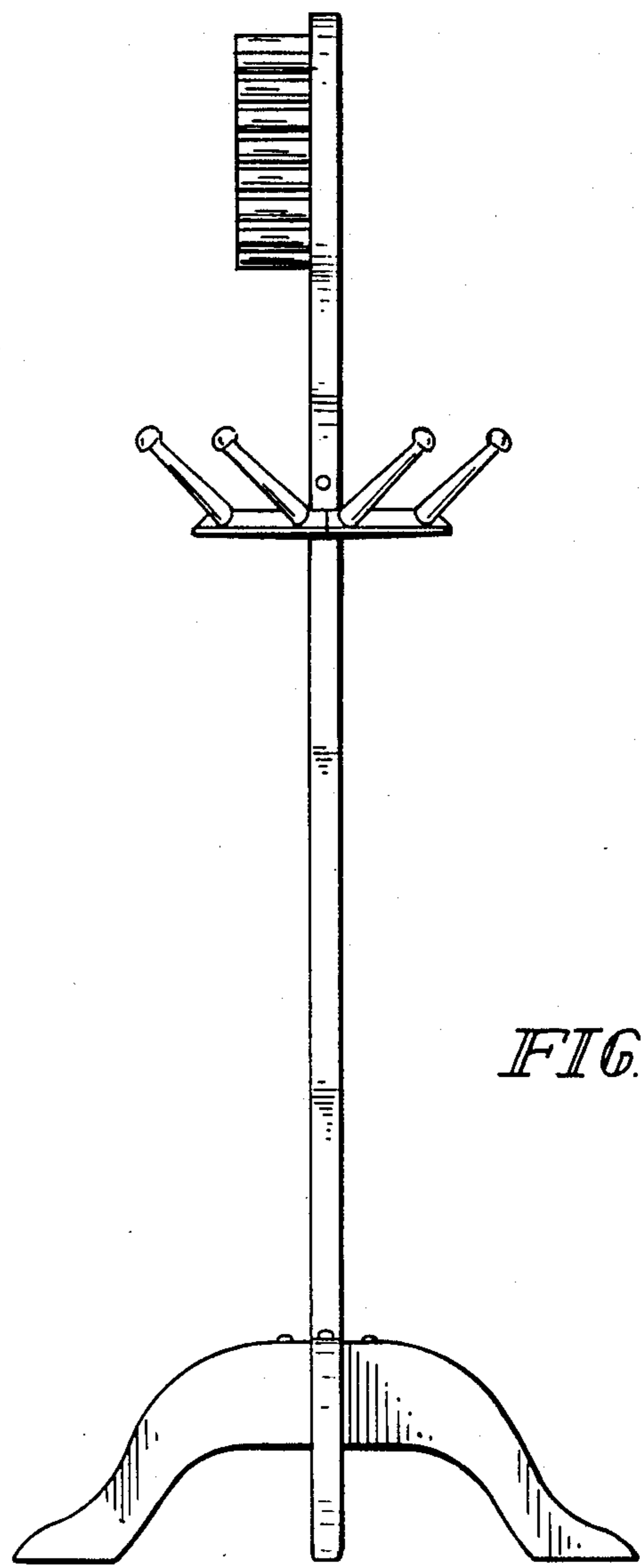


FIG. 4

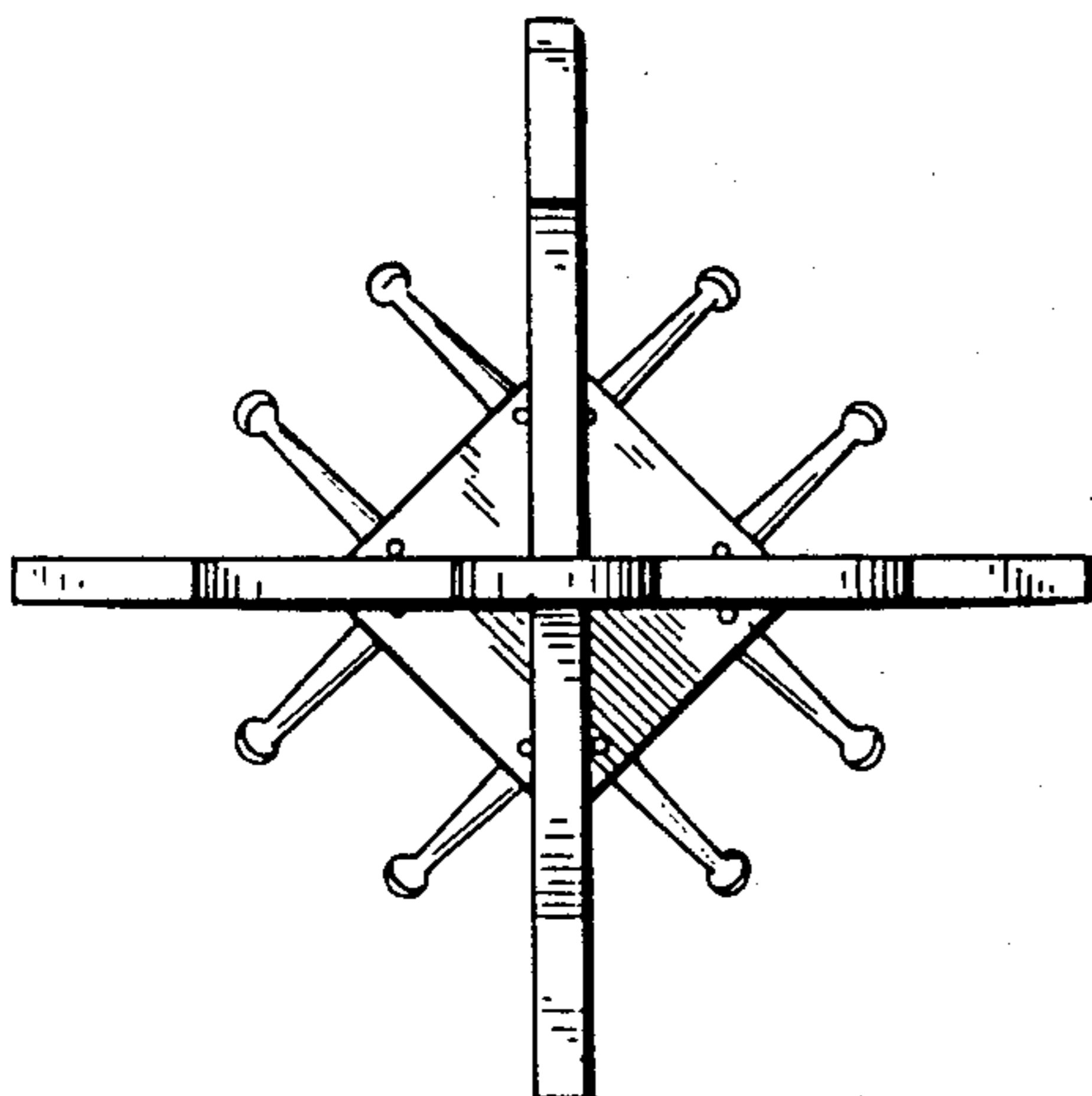


FIG. 2

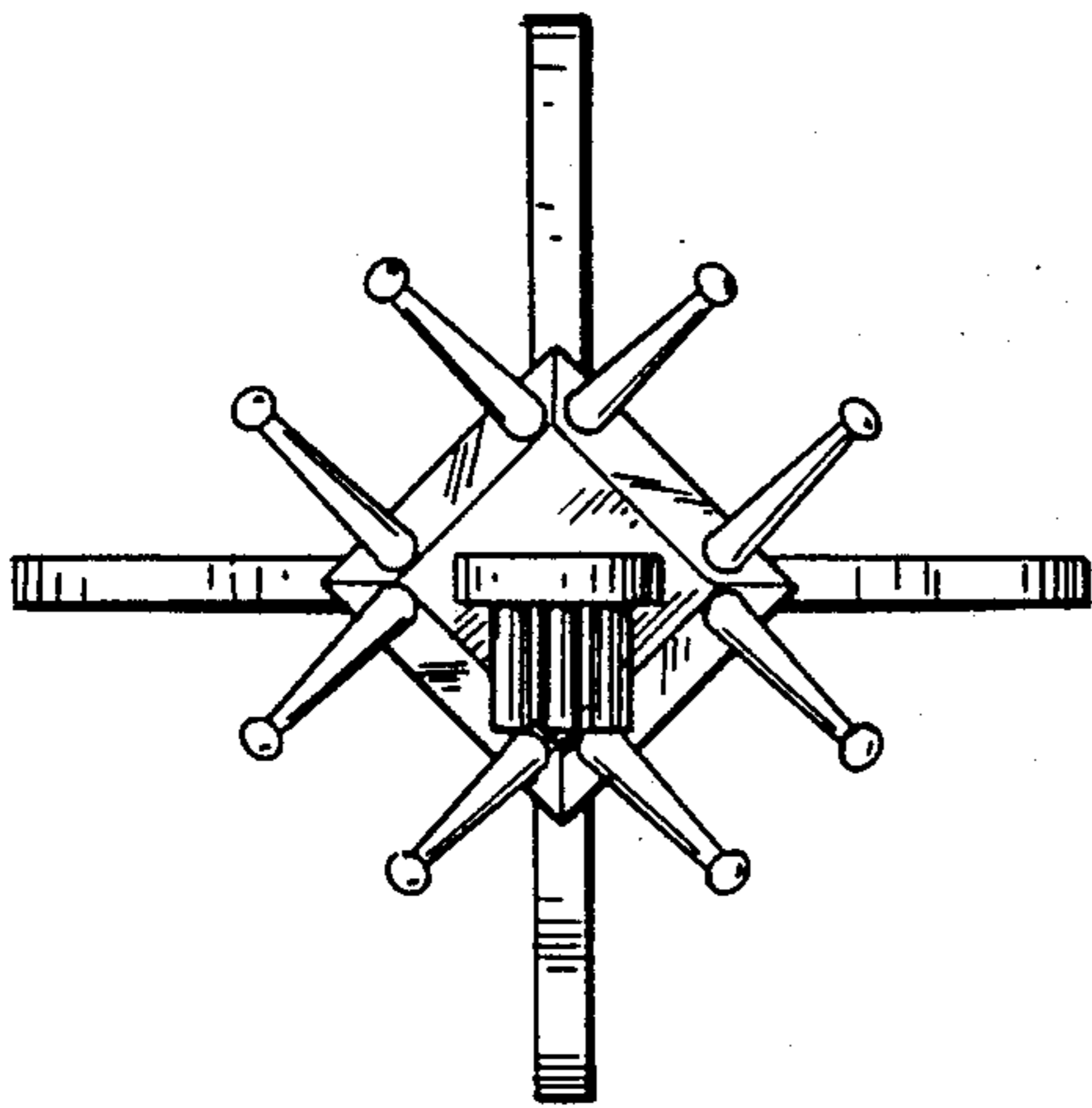


FIG. 3

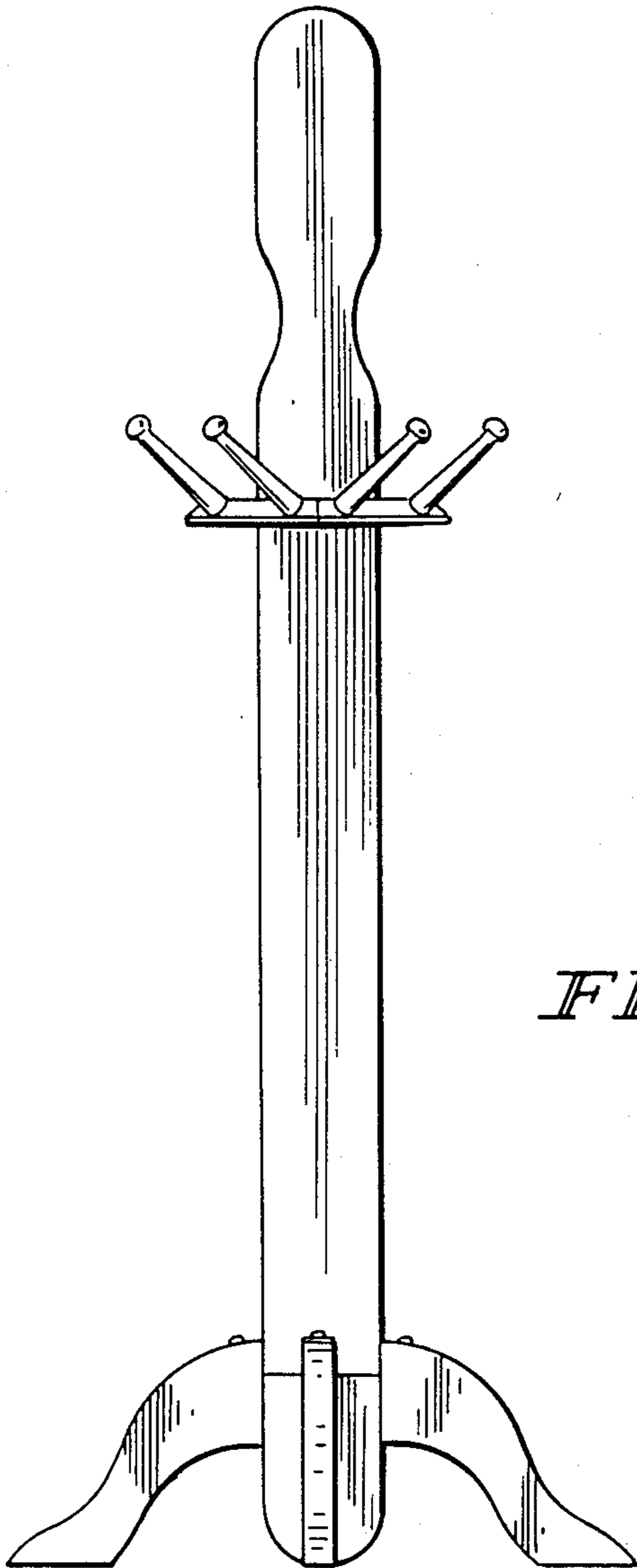


FIG. 5

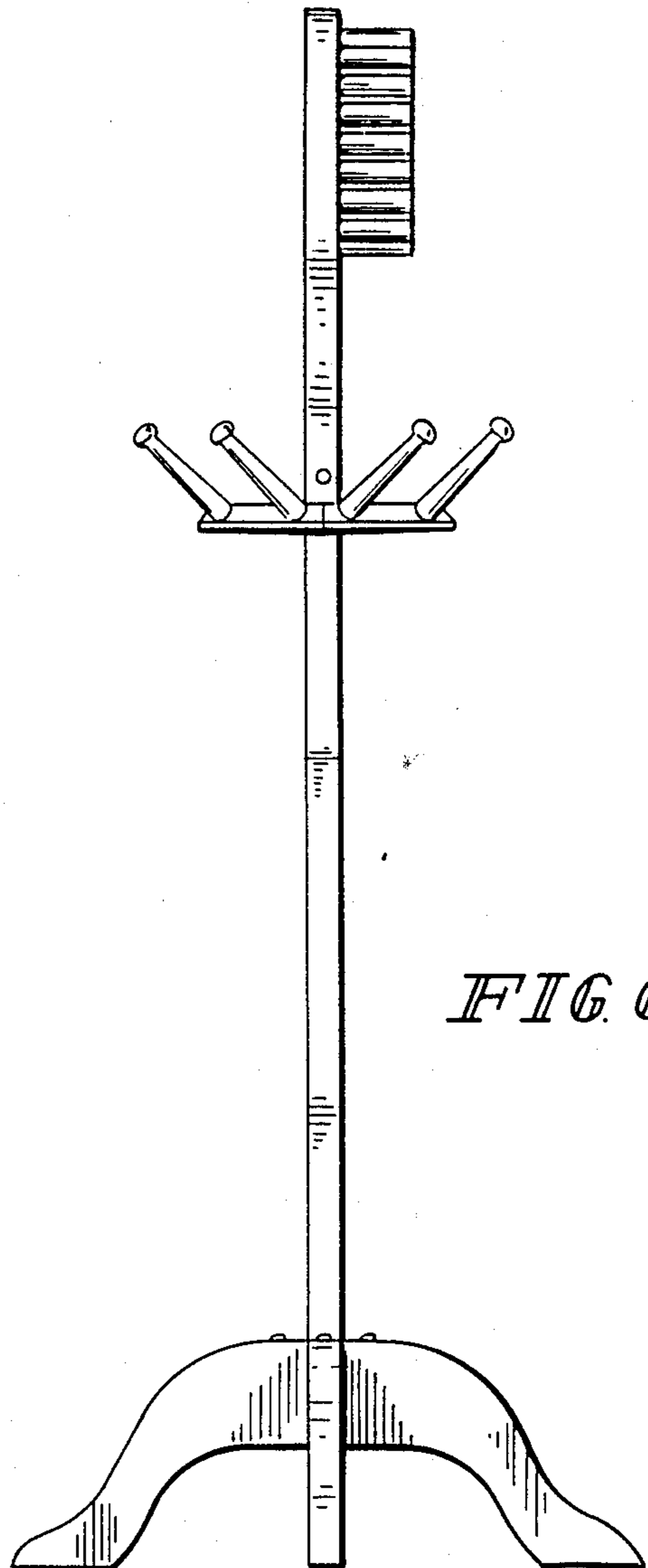


FIG. 6