

[54] PLATE FRAME

[75] Inventor: Glenn E. Worley, Neodesha, Kans.

[73] Assignee: E and L Plus, Inc., Neodesha, Kans.

[**] Term: 14 Years

[21] Appl. No.: 18,063

[22] Filed: Feb. 24, 1987

[52] U.S. Cl. D6/309

[58] Field of Search D6/300-314;
40/152, 156; 248/346.1, 359.1, 359 R, 470,
489-491, 488

[56] References Cited

U.S. PATENT DOCUMENTS

3,715,823 2/1973 Brossard 40/152
3,740,016 6/1973 Buescher 248/488

4,368,585 1/1983 Meltzer et al. 40/152.1

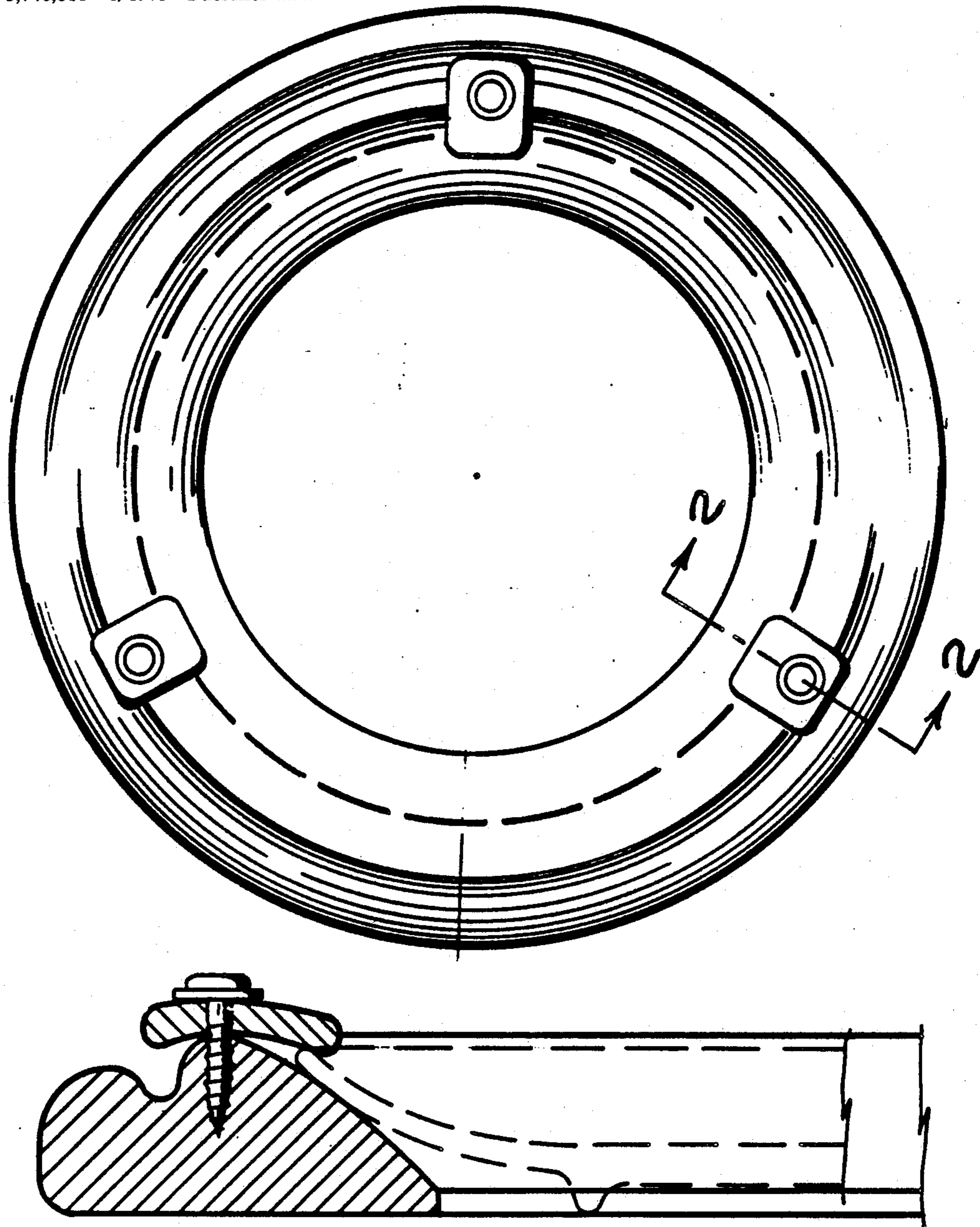
Primary Examiner—Bernard Ansher
Assistant Examiner—Terry A. Pfeffer
Attorney, Agent, or Firm—Edward L. Brown, Jr.

[57] CLAIM

The ornamental design for a plate frame, as shown and described.

DESCRIPTION

FIG. 1 is a front elevational view of a plate frame showing my new design, the plate position is shown in broken lines for illustrative purposes only; FIG. 2 is a cross-sectional view taken along line 2—2 of FIG. 1, the plate shown in broken lines is for illustrative purposes only; FIG. 3 is a rear elevational view thereof; and FIG. 4 is a side elevational view thereof.



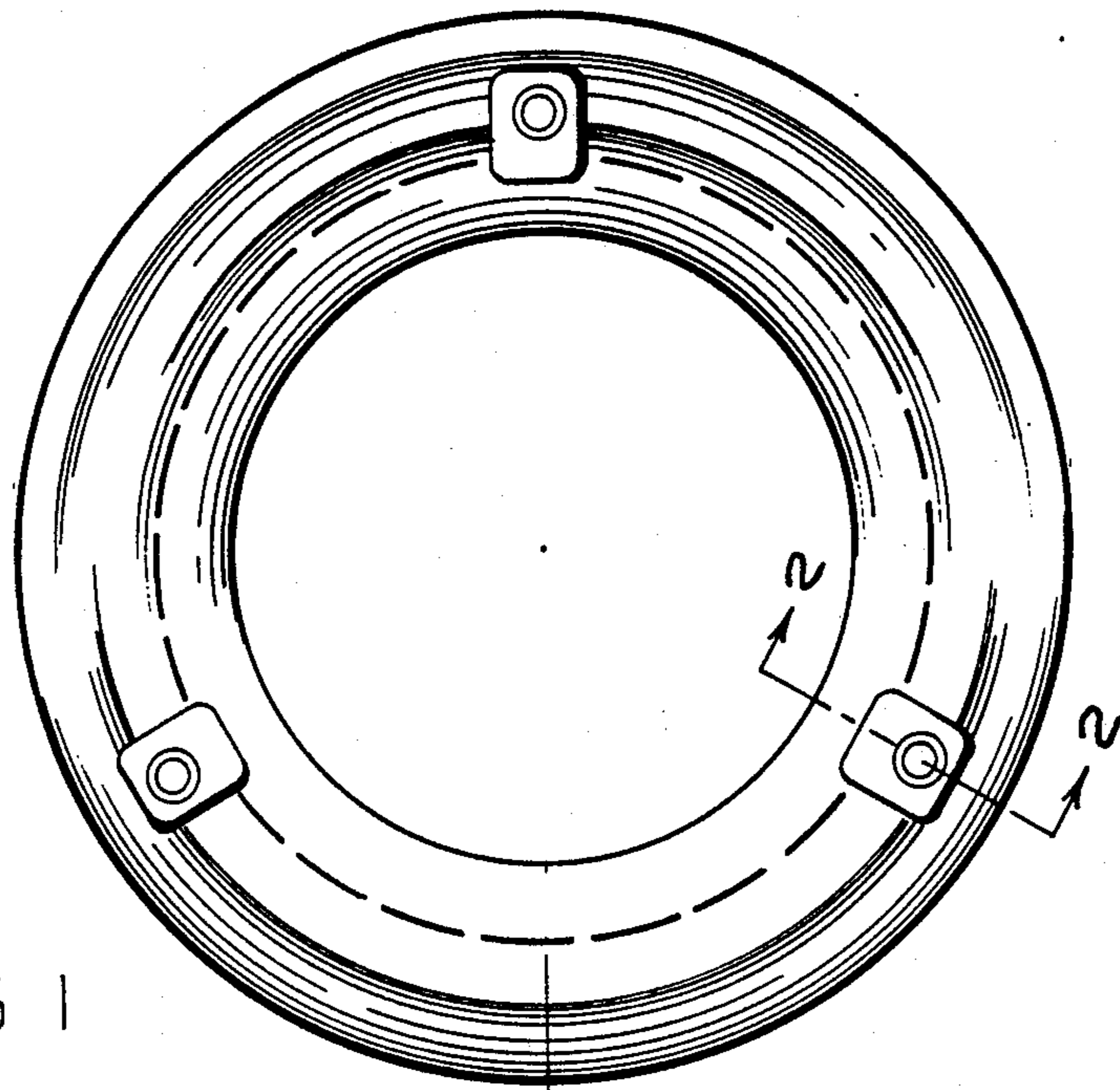


FIG 1

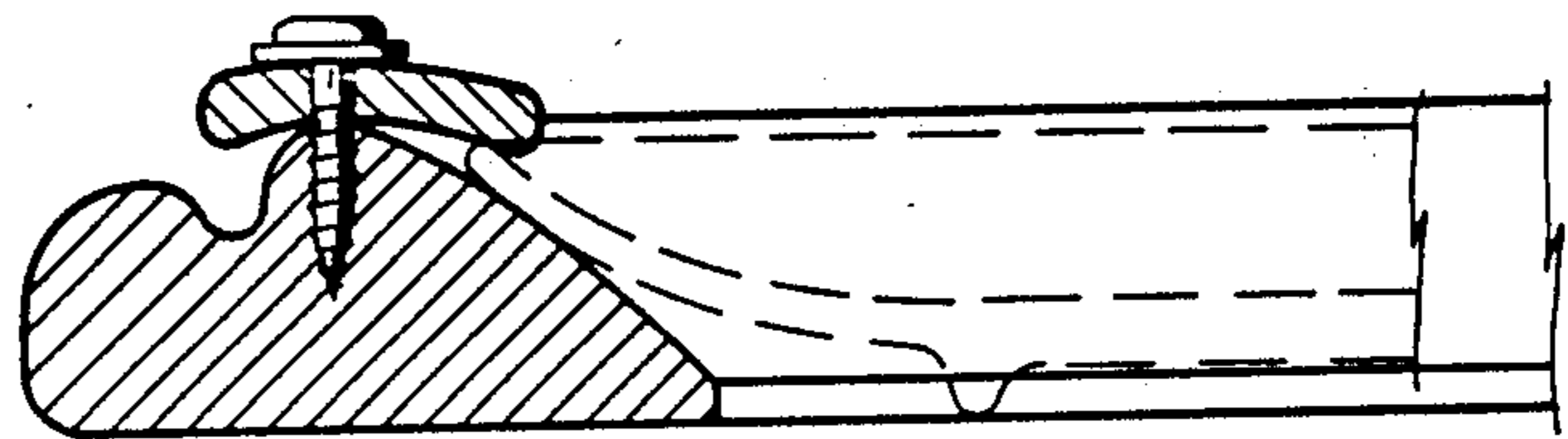


FIG 2

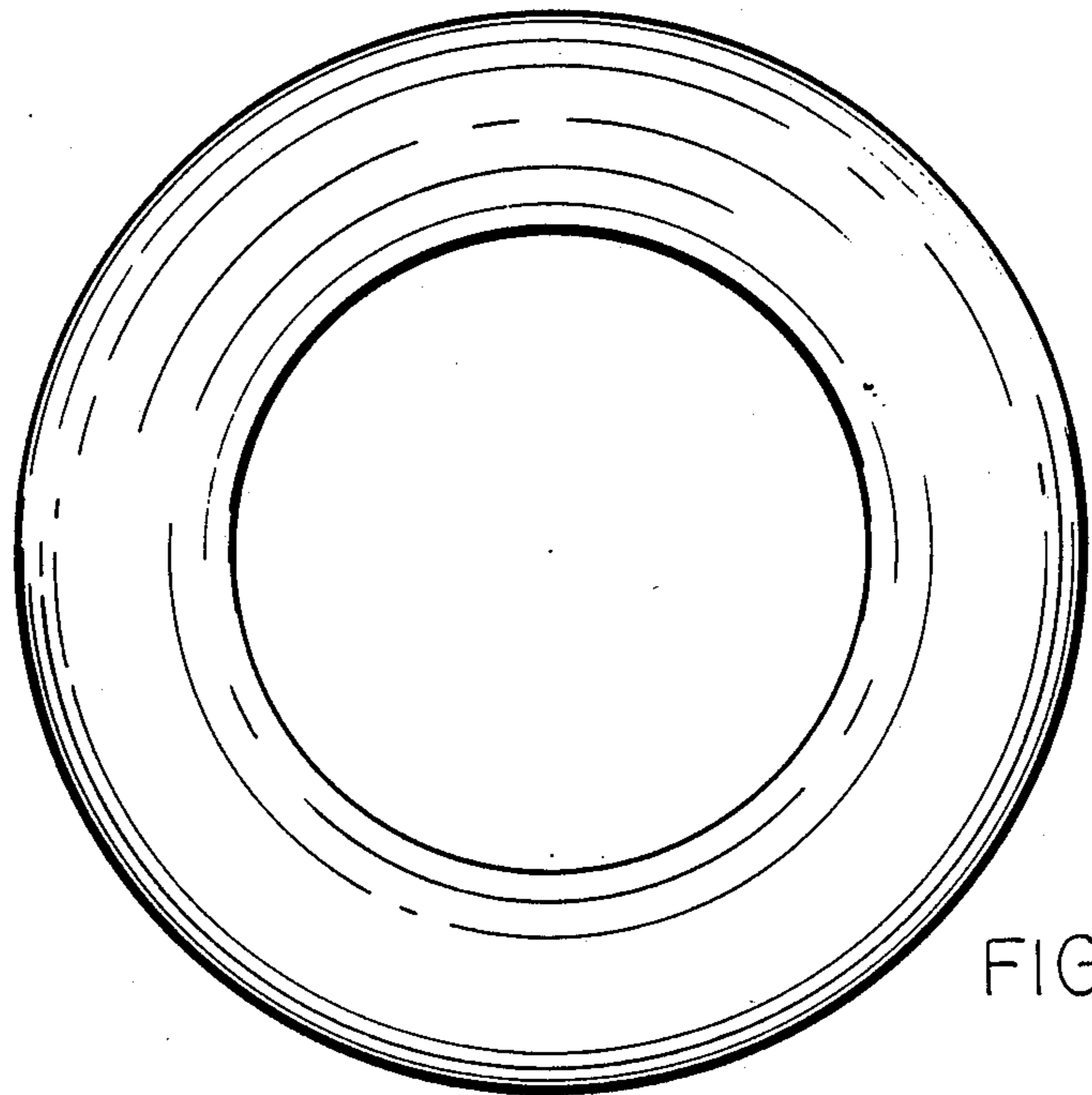


FIG 3

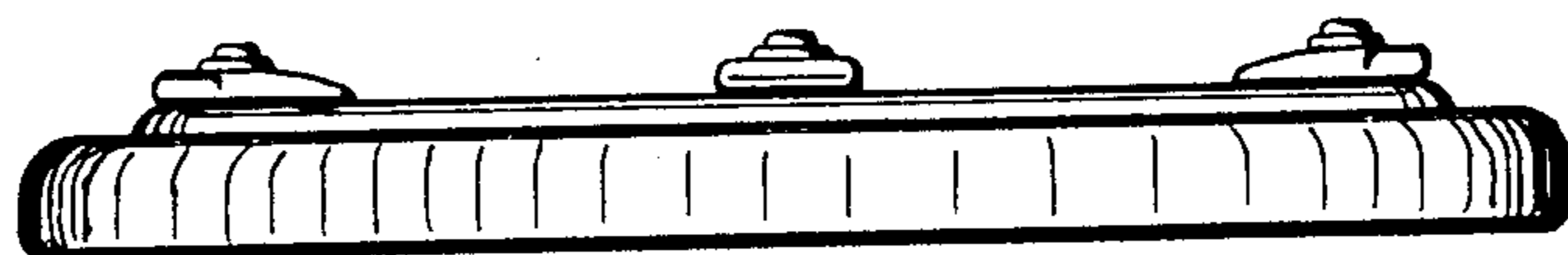


FIG 4