

[54] **COMBINED PORTABLE IRONING BOARD AND CARRYING UNIT THEREFOR**

[76] **Inventor: Lawrence E. Stringer, V.A. Dom**
Section 1, Martinsburg, W. Va.
25401

[**] **Term: 14 Years**

[21] **Appl. No.: 10,126**

[22] **Filed: Feb. 2, 1987**

[52] **U.S. Cl. D32/66; D3/30.1**

[58] **Field of Search D32/66; D3/30.1, 66,**
D3/70, 73, 76, 99; 38/103-104, 106-109, 112,
135-139, 141-142; 108/28, 97; 190/11, 42

[56] **References Cited**

U.S. PATENT DOCUMENTS

D. 210,263	2/1968	Rapoport	D3/76
2,630,639	3/1953	Kmonk	38/139
2,729,905	1/1956	Crozier	190/11 X
3,441,112	4/1969	Maben	38/112 X
3,483,954	12/1969	Michalski	38/104 X

Primary Examiner—Susan J. Lucas
Assistant Examiner—Lavone Tabor
Attorney, Agent, or Firm—Jerry T. Kearns

[57] **CLAIM**

The ornamental design for a combined portable ironing board and carrying unit therefor, as shown and described.

DESCRIPTION

FIG. 1 is a perspective view of a combined portable ironing board and carrying unit therefor showing my new design.

FIG. 2 is a top plan view thereof.

FIG. 3 is a bottom plan view thereof.

FIG. 4 is a left side elevational view thereof.

FIG. 5 is a right side elevational view thereof.

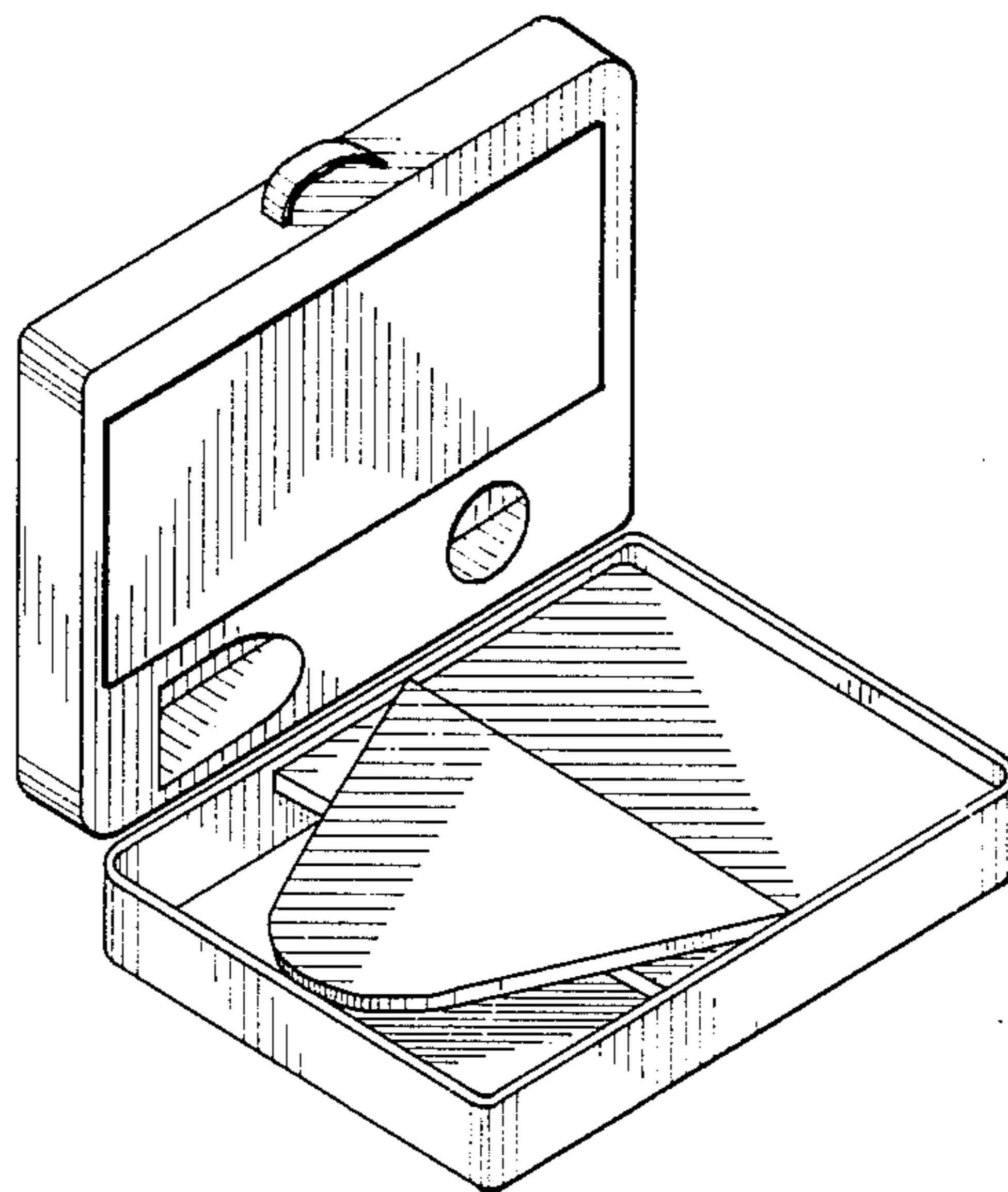
FIG. 6 is a front end elevational view thereof.

FIG. 7 is a rear end elevational view thereof.

FIG. 8 is a rear end elevational view thereof showing the ironing board in an opened position.

FIG. 9 is a top plan view thereof.

The carrying unit is partially shown in FIG. 9 for ease of illustration.



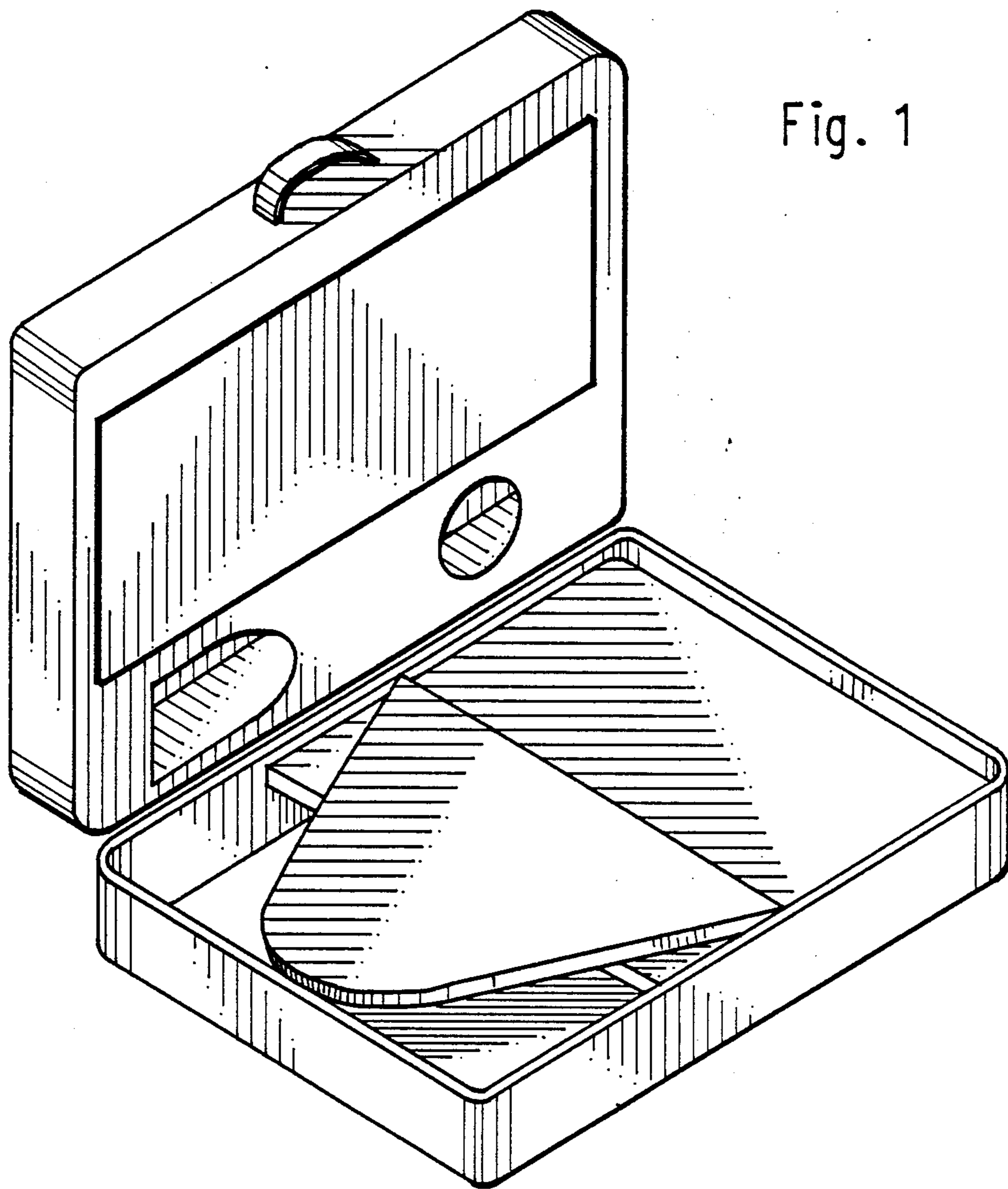


Fig. 1

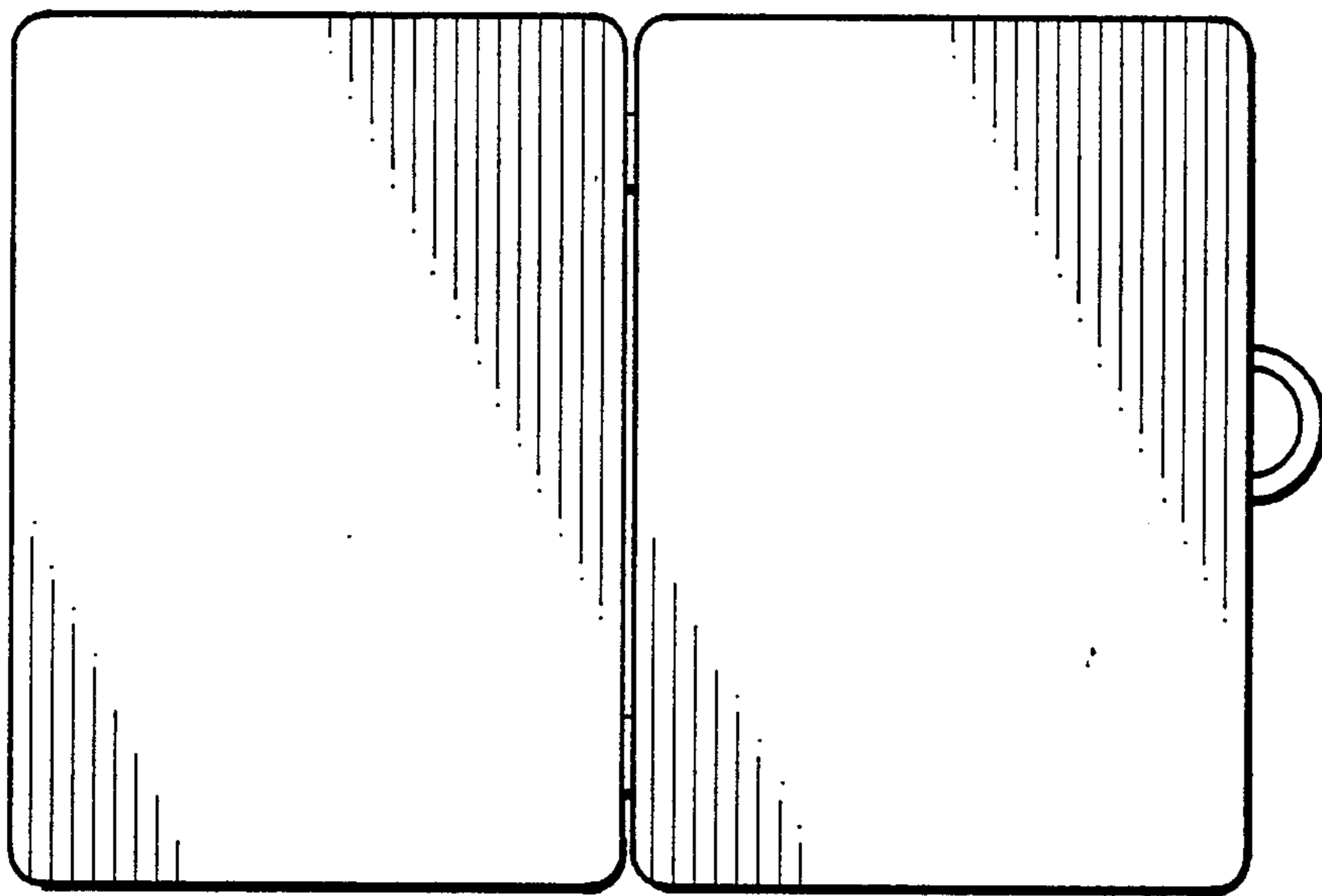


Fig. 3

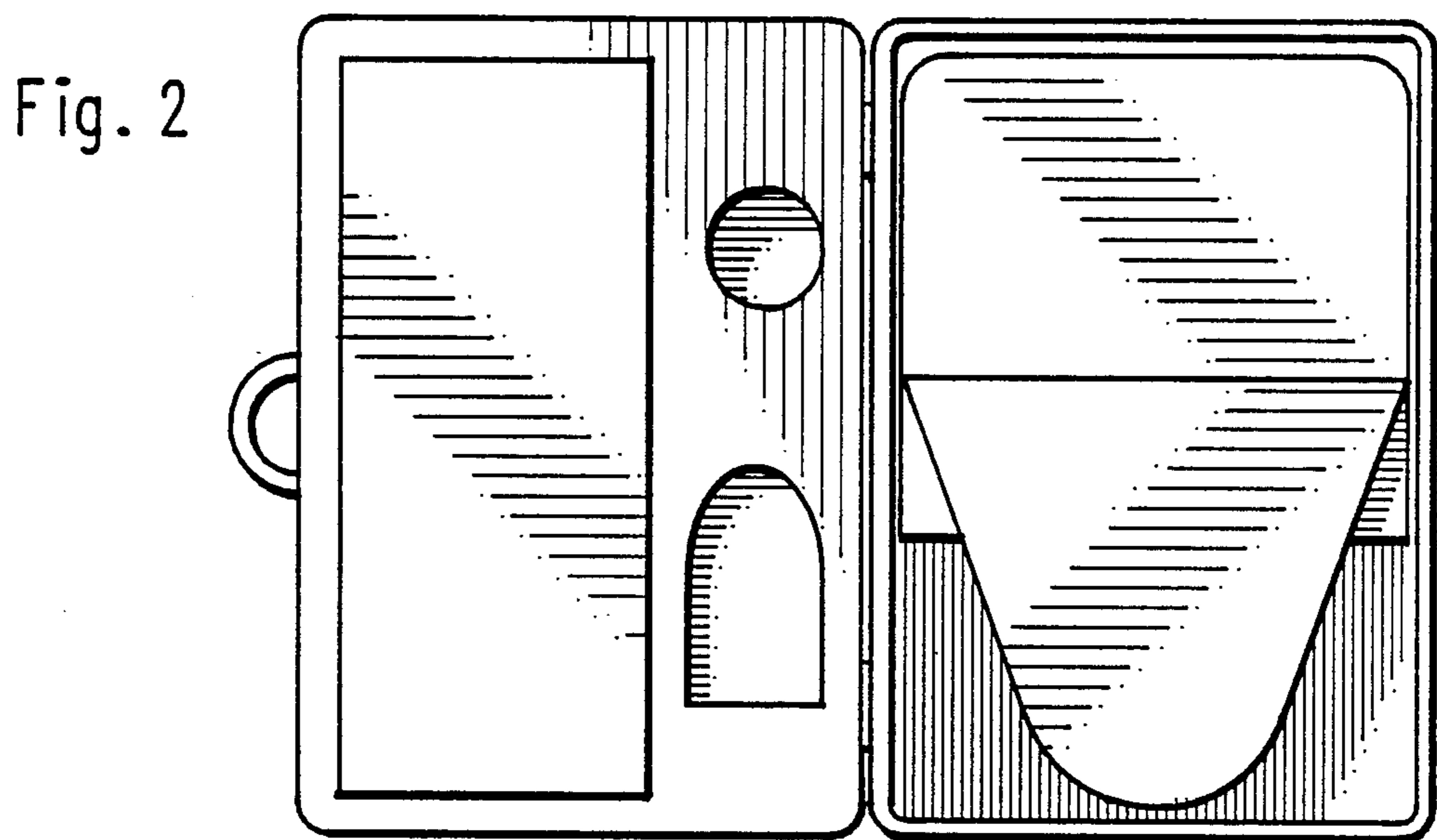


Fig. 2



Fig. 4

Fig. 5



Fig. 6

Fig. 7

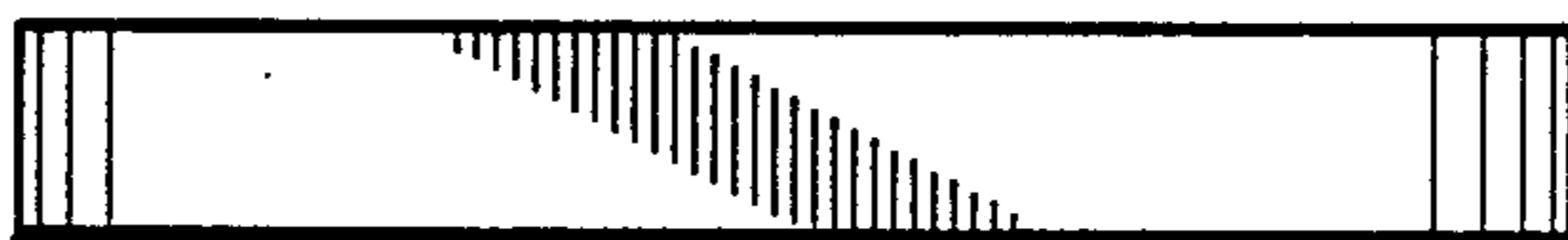


Fig. 8

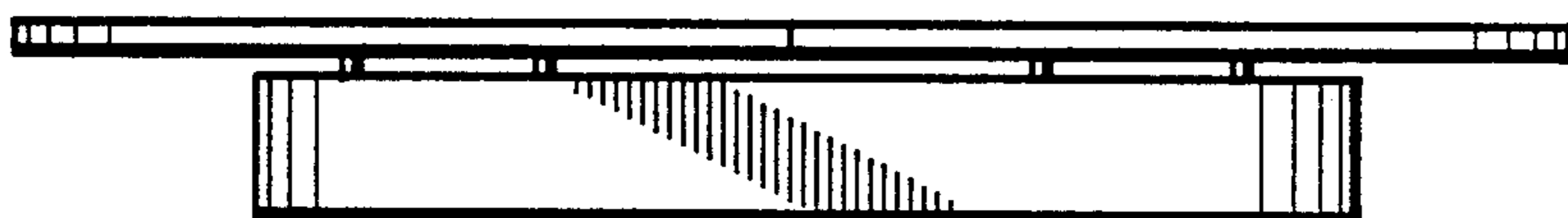


Fig. 9

