

[54] **SECURITY DOG COLLAR**
[76] **Inventor: Stefan S. Young, 2410 Park Pass,
Lakeland, Fla. 33805**
[**] **Term: 14 Years**
[21] **Appl. No.: 309,060**
[22] **Filed: Feb. 10, 1989**
[52] **U.S. Cl. D30/152; 119/106;
119/29**
[58] **Field of Search D30/151, 152, 153, 154;
119/29, 96, 101, 106, 109, 119, 120**

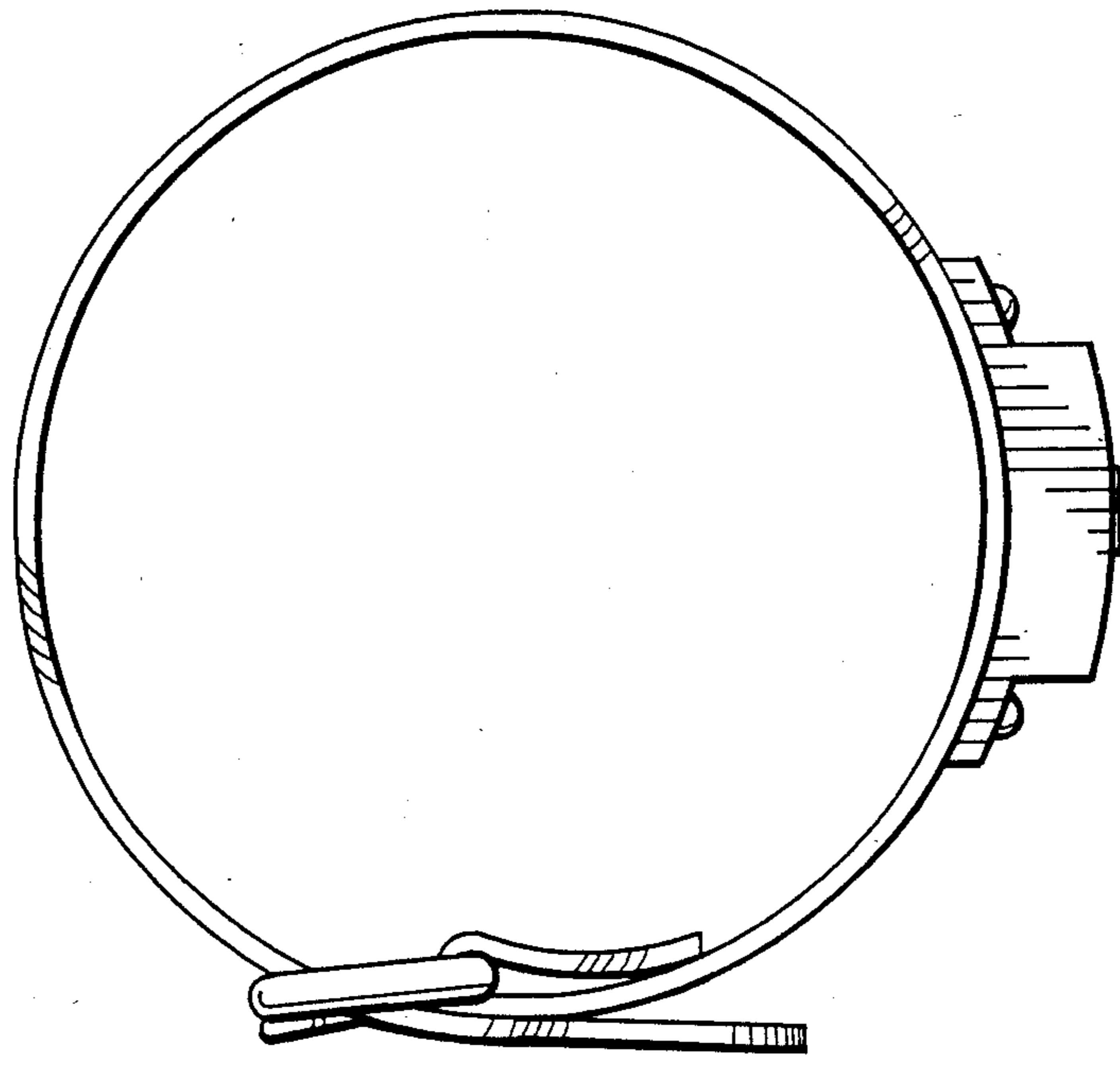
[56] **References Cited**
U.S. PATENT DOCUMENTS
D. 270,102 8/1983 Crenshaw et al. D30/152
1,623,002 3/1927 Gossett D30/152
2,097,070 10/1937 Lago 119/106
2,349,713 5/1944 Finch 119/106
2,721,257 10/1955 Knox 119/106

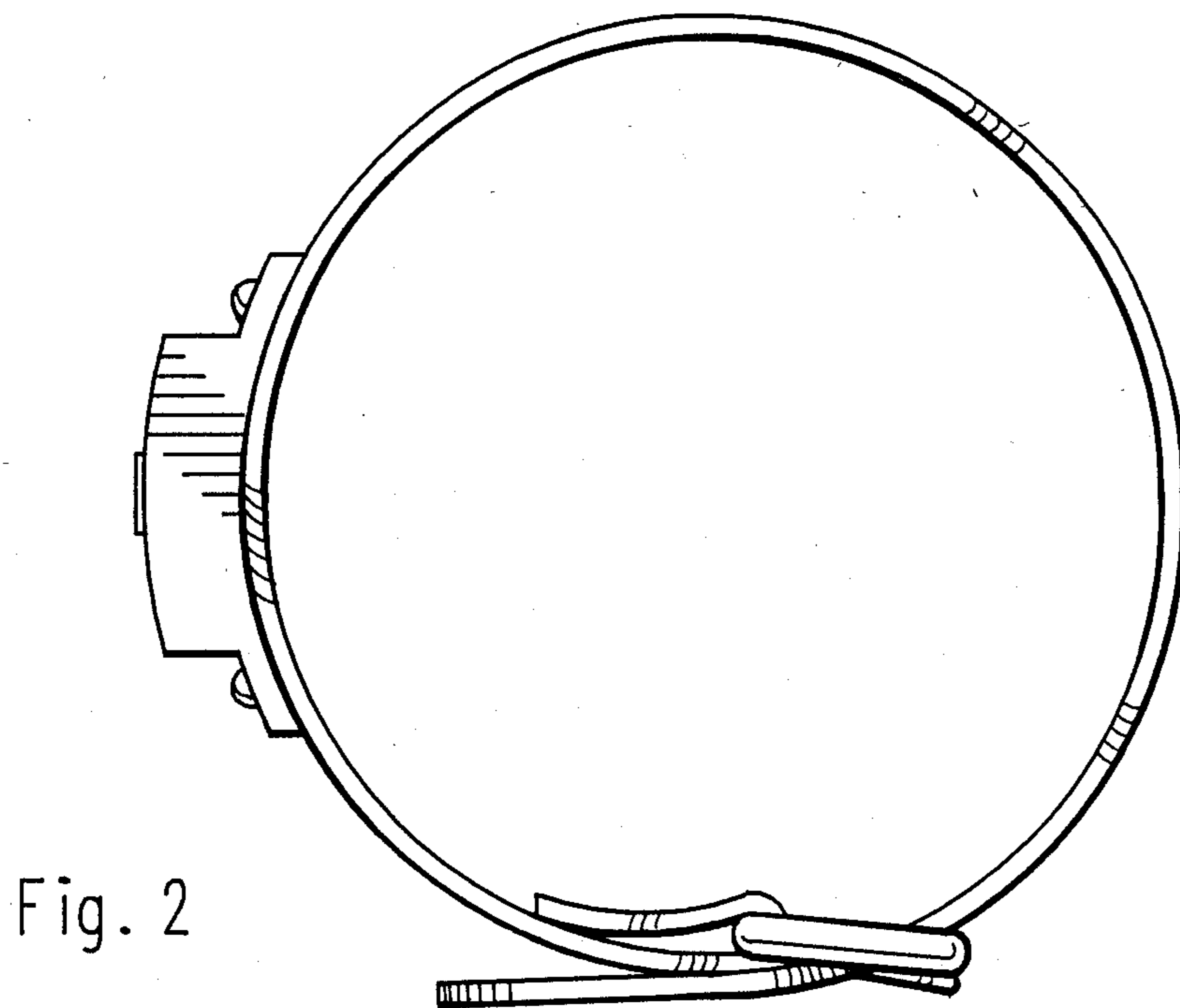
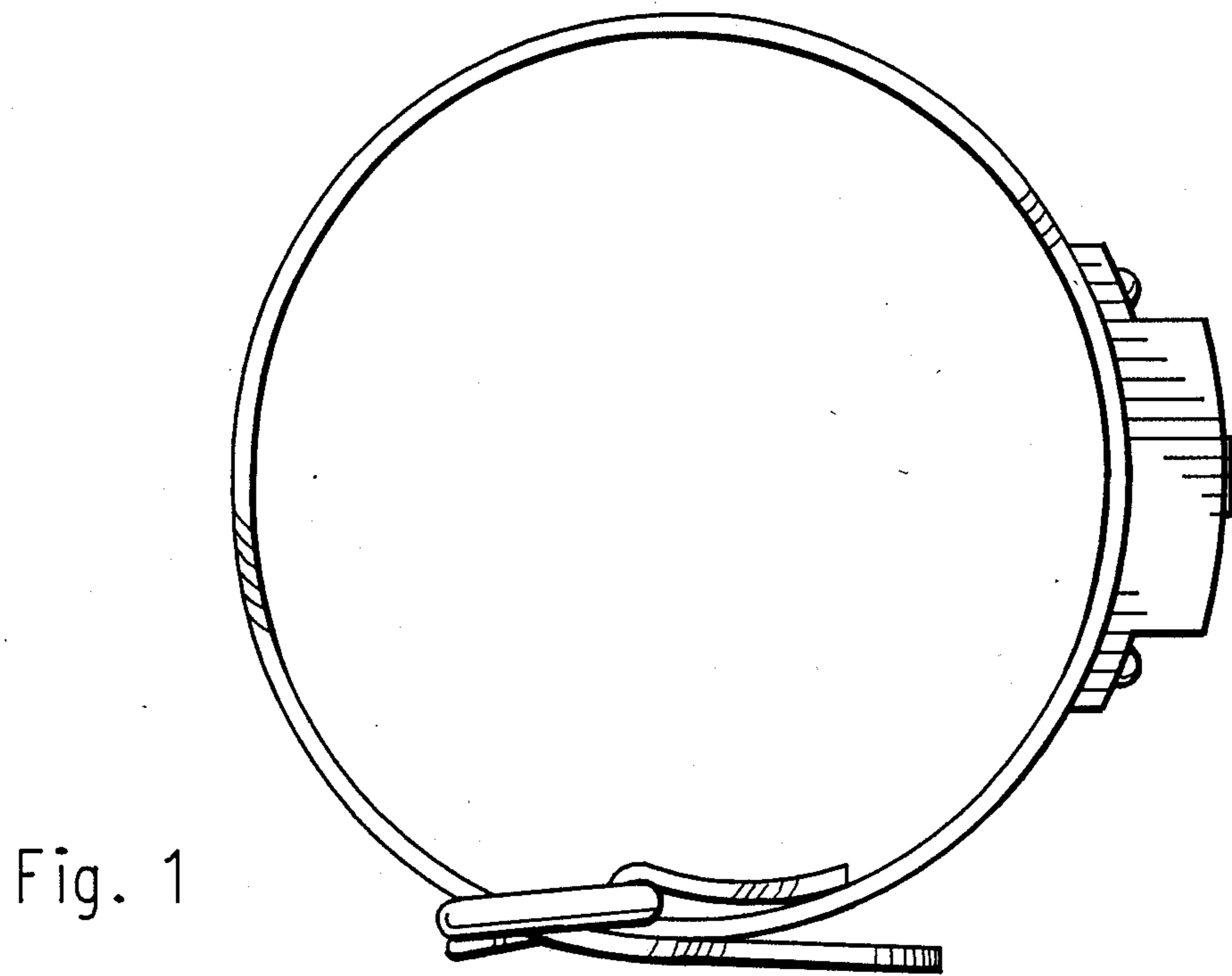
4,173,201 11/1979 Chao 119/106
FOREIGN PATENT DOCUMENTS
005056 of 1982 France 119/29

Primary Examiner—James R. Largen
Assistant Examiner—Cathy Anne MacCormac
Attorney, Agent, or Firm—Jerry T. Kearns

[57] **CLAIM**
The ornamental design for a security dog collar, as shown and described.

DESCRIPTION
FIG. 1 is a front elevational view of a security dog collar showing my new design;
FIG. 2 is a rear elevational view thereof;
FIG. 3 is a left side elevational view thereof;
FIG. 4 is a right side elevational view thereof;
FIG. 5 is a top plan view thereof; and
FIG. 6 is a bottom plan view thereof.





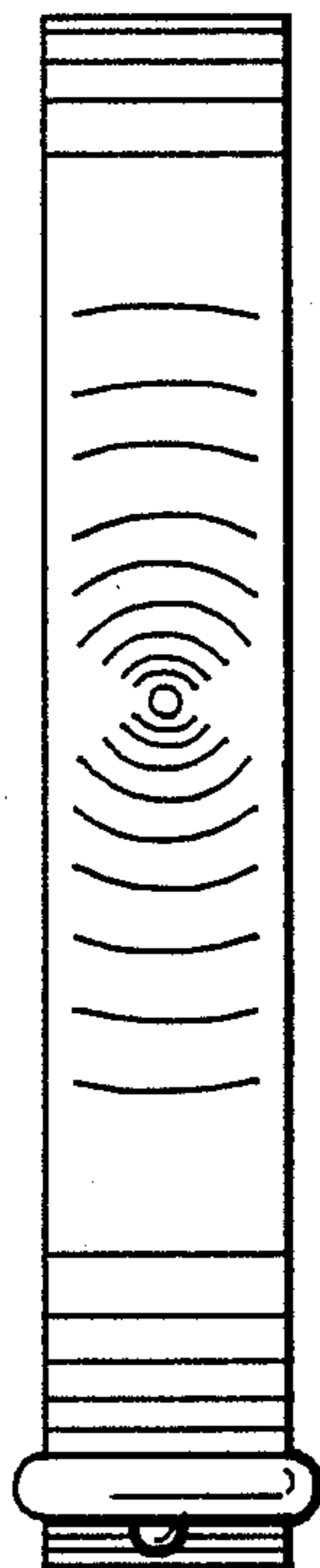


Fig. 3

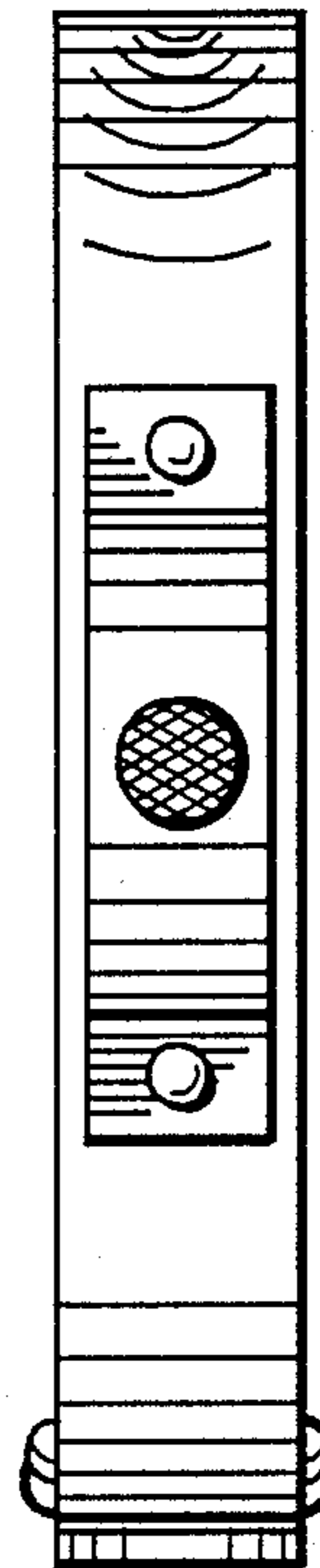


Fig. 4

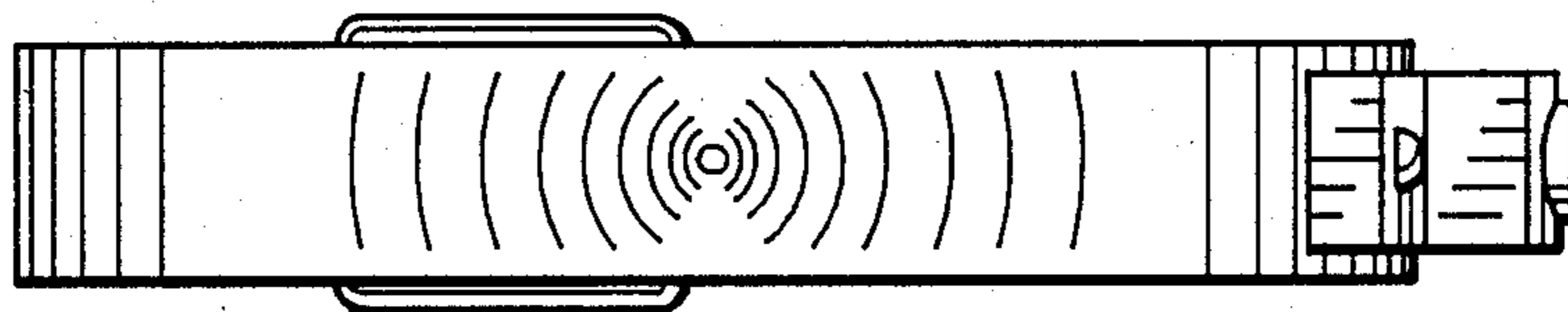


Fig. 5

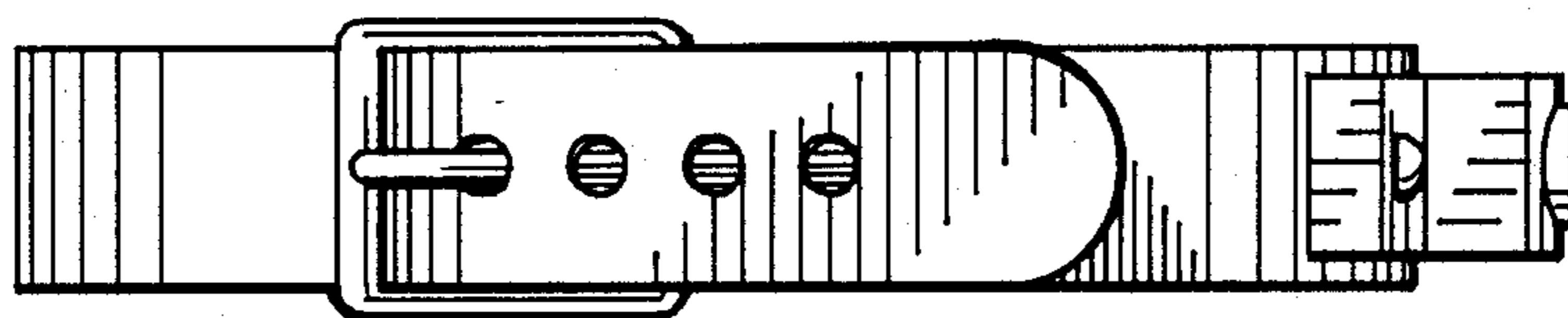


Fig. 6