

[54] SELF-CONTAINED LINT SHAVER APPARATUS

[75] Inventor: Ki W. Lee, Seoul, Rep. of Korea

[73] Assignee: Davidcraft Corporation, Lincolnwood, Ill.

[**] Term: 14 Years

[21] Appl. No.: 140,429

[22] Filed: Jan. 4, 1988

[52] U.S. Cl. D28/50

[58] Field of Search D28/44-54; 30/32, 34.05, 34.1, 41, 41.5, 41.6, 41.9, 42, 43-43.92, 44, 84-86, 90, 346.51

[56] References Cited

U.S. PATENT DOCUMENTS

D. 255,166	5/1980	Ayukawa et al.	D28/50
D. 271,814	12/1983	Takagi et al.	D28/50
D. 279,723	7/1985	Nagelerke et al.	D28/50
D. 298,361	11/1988	Thaler	D28/50
4,839,964	6/1989	Uchiyama et al.	30/43.6

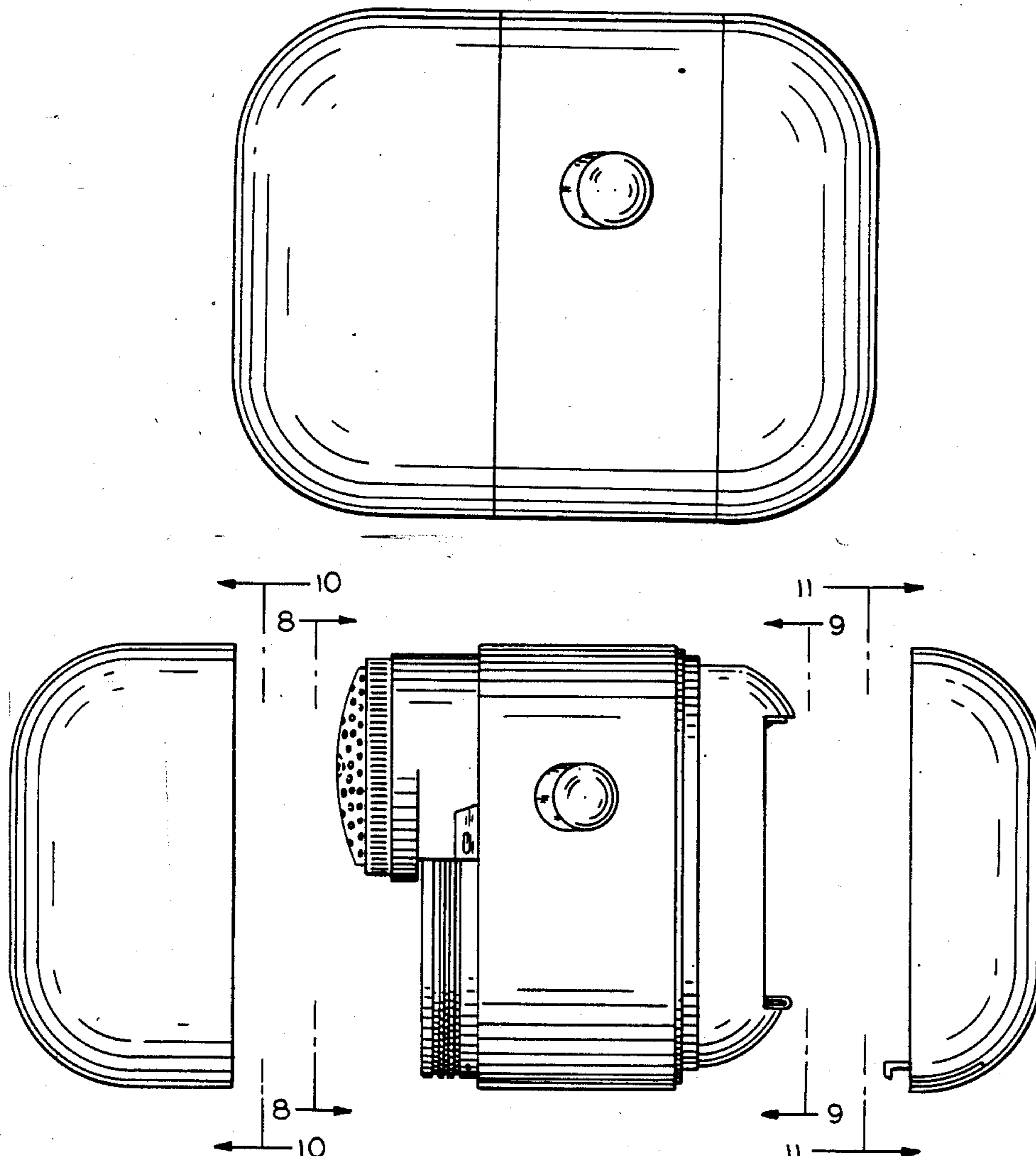
Primary Examiner—Louis S. Zarfes
Attorney, Agent, or Firm—Dick and Harris

[57] CLAIM

The ornamental design for a self-contained lint shaver apparatus, as shown and described.

DESCRIPTION

FIG. 1 is a front elevational view of a self-contained lint shaver apparatus showing my new design; FIG. 2 is a rear elevational view thereof; FIG. 3 is a bottom plan view thereof; FIG. 4 is a top plan view thereof; FIG. 5 is a right side elevational view thereof; FIG. 6 is a left side elevational view thereof; FIG. 7 is a front elevational exploded view thereof; FIG. 8 is a left side elevational view thereof taken along lines 8—8 of FIG. 7 and looking in the direction of the arrows; FIG. 9 is a right side elevational view thereof taken along lines 9—9 of FIG. 7 and looking in the direction of the arrows; FIG. 10 is a right side elevational view thereof taken along lines 10—10 of FIG. 7 and looking in the direction of the arrows; FIG. 11 is a left side elevational view thereof taken along lines 11—11 of FIG. 7 and looking in the direction of the arrows.



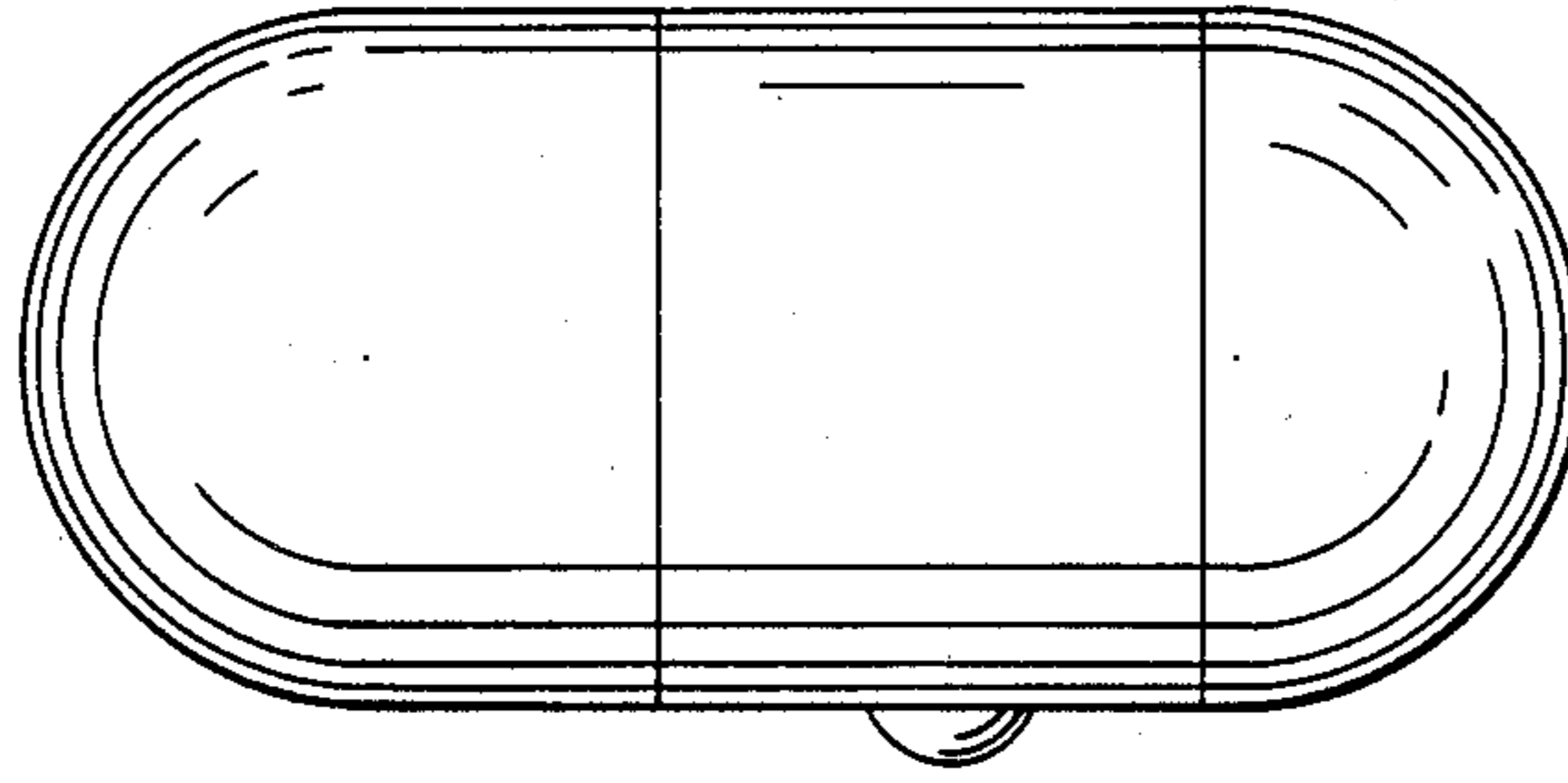


FIG. 4

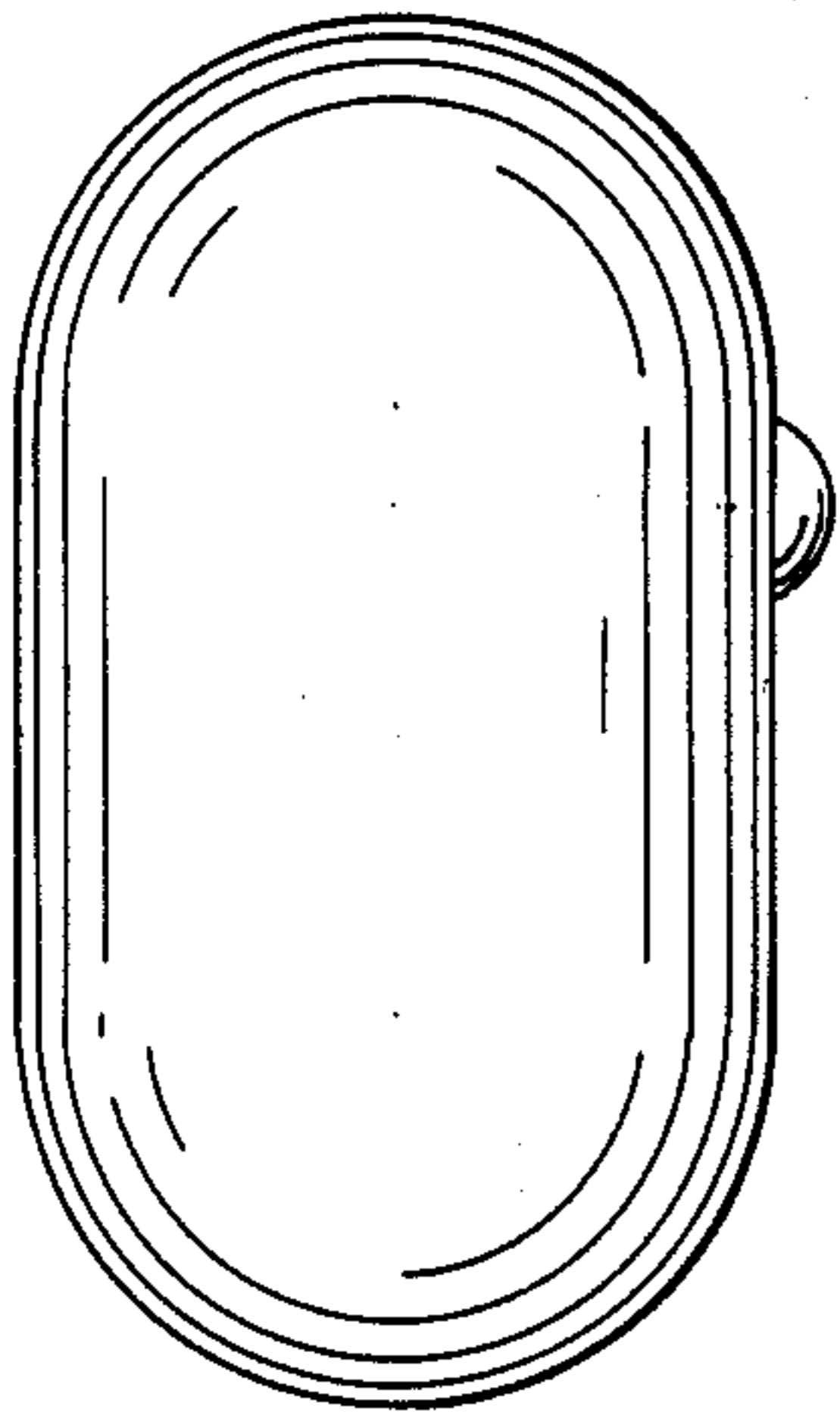


FIG. 6

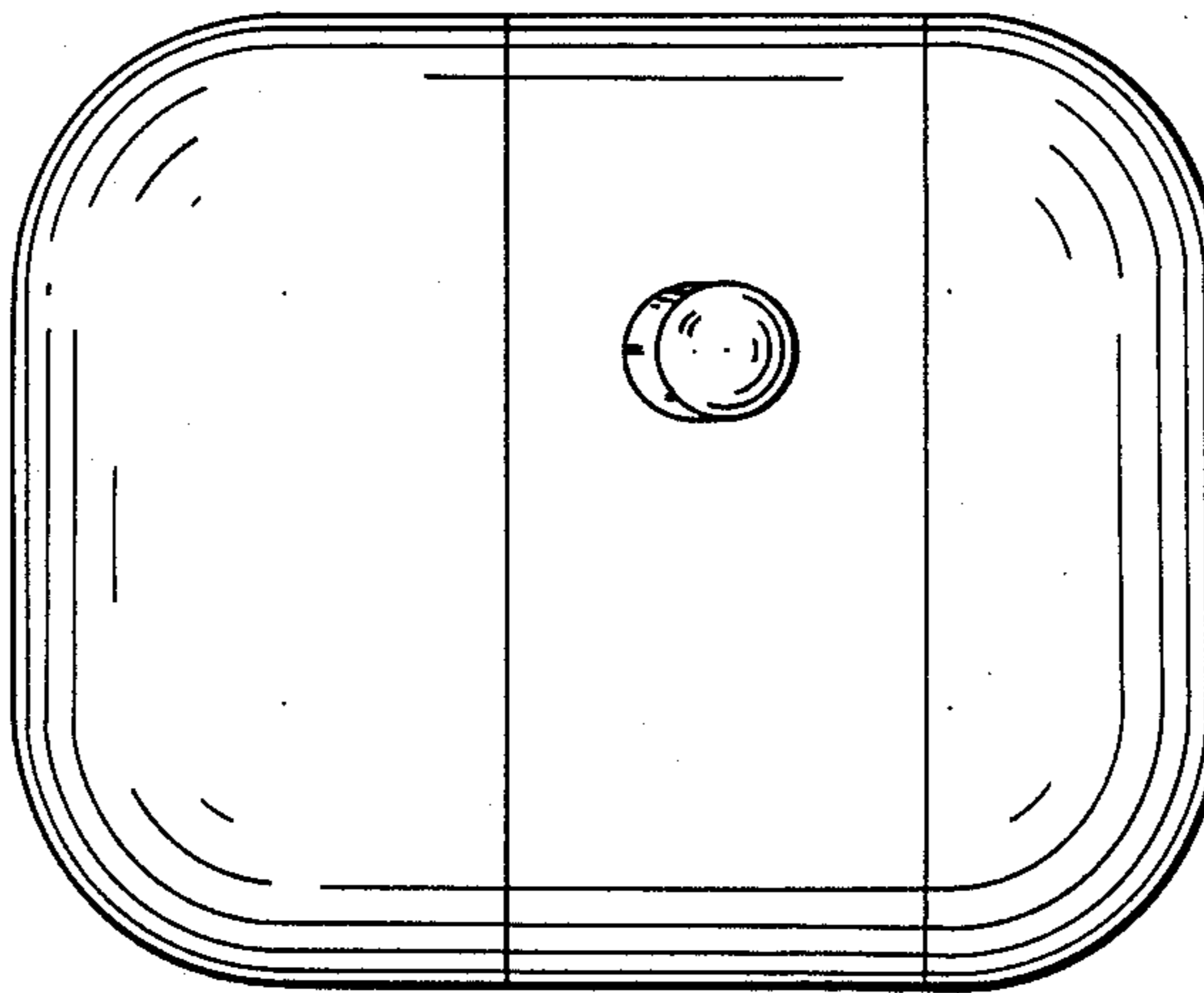


FIG. 1

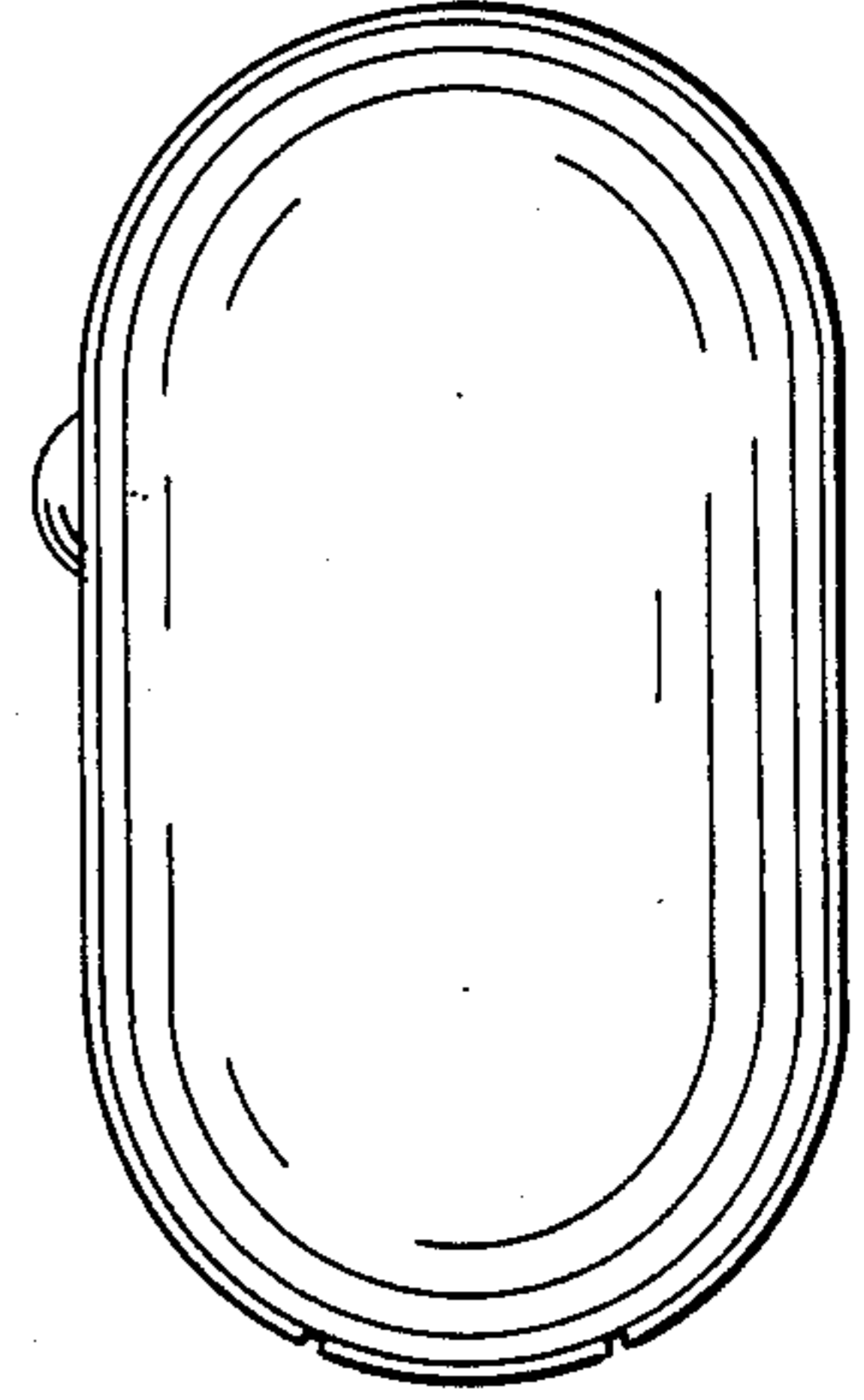


FIG. 5

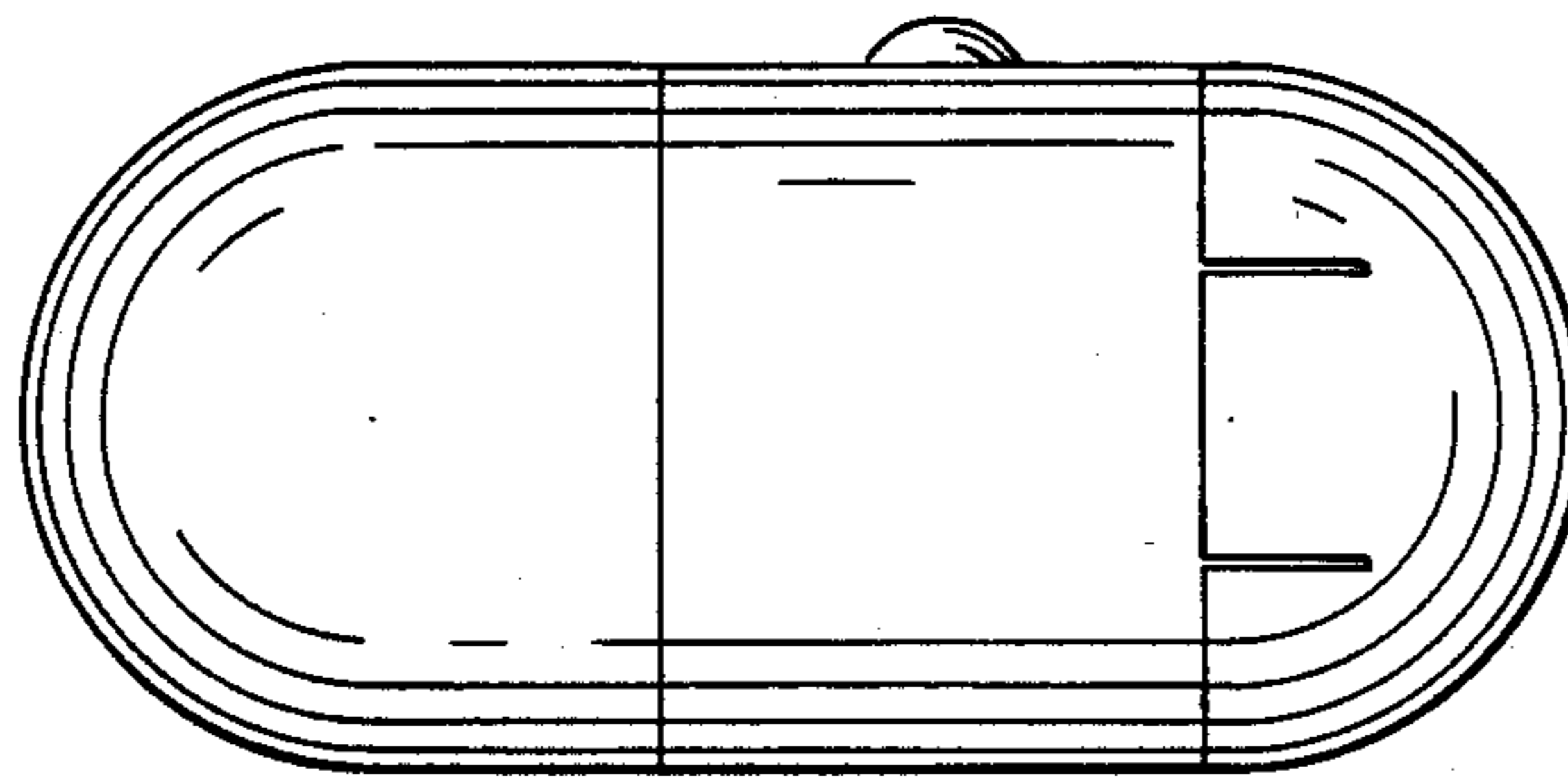


FIG. 3

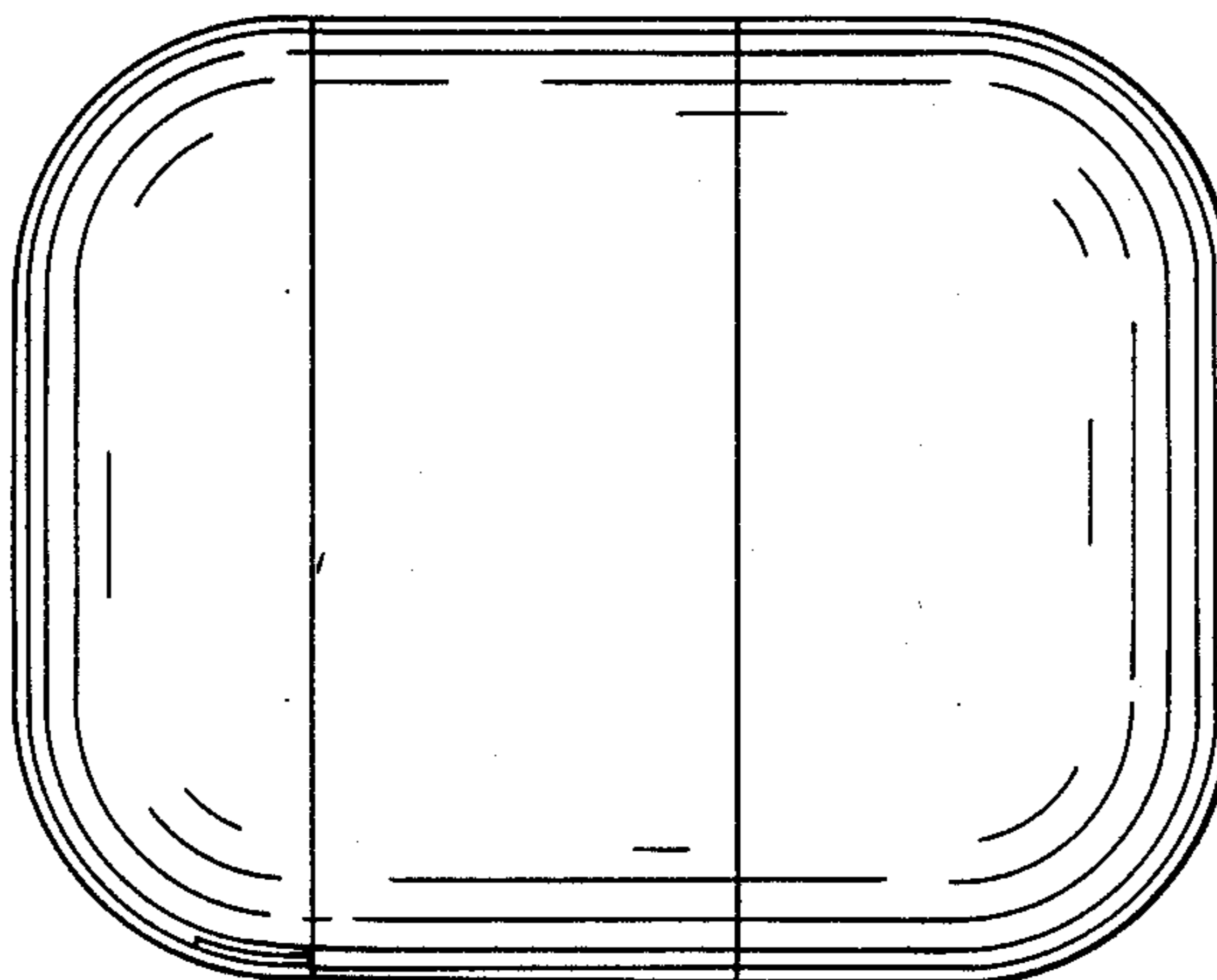


FIG. 2

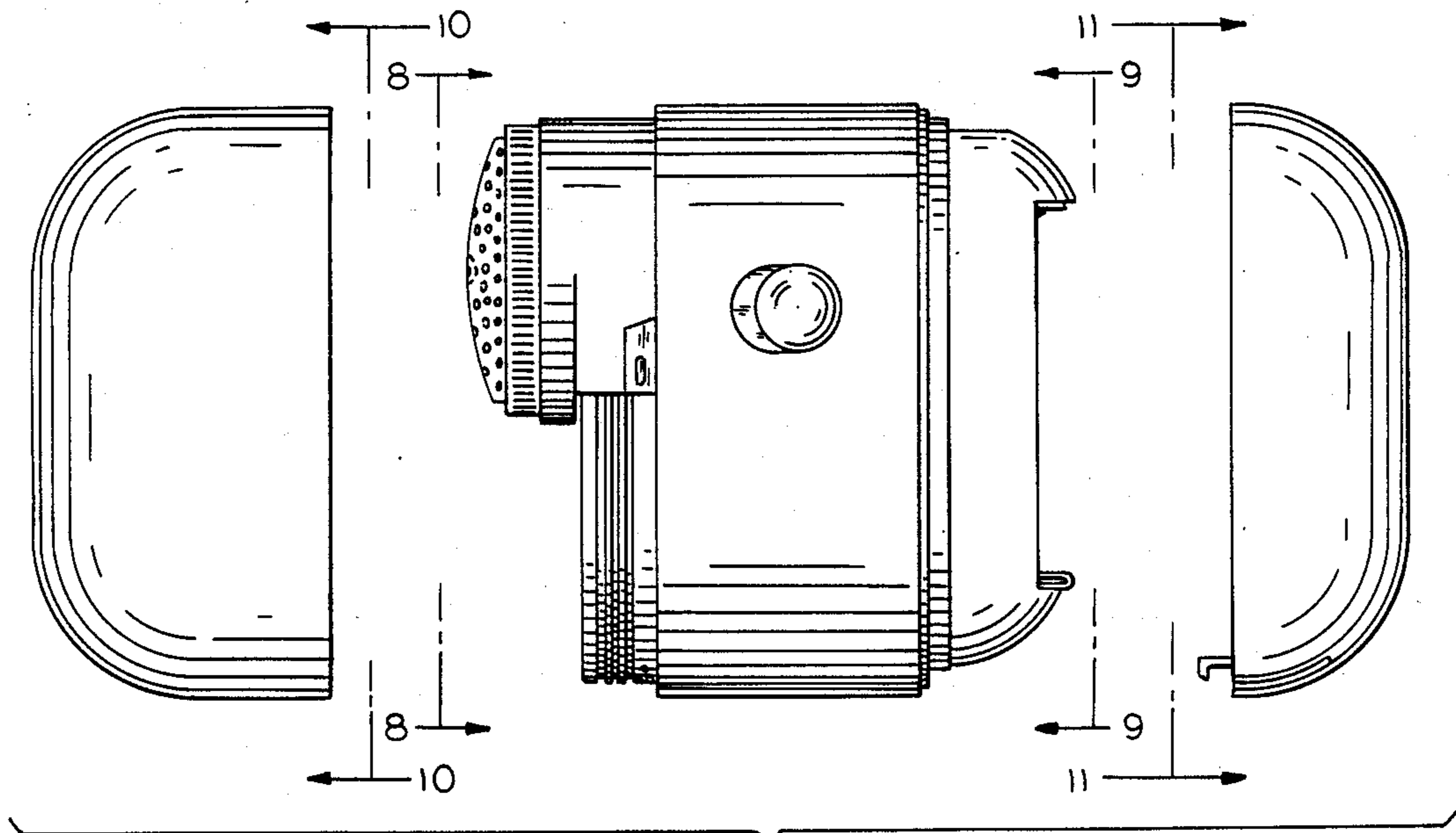


FIG. 7

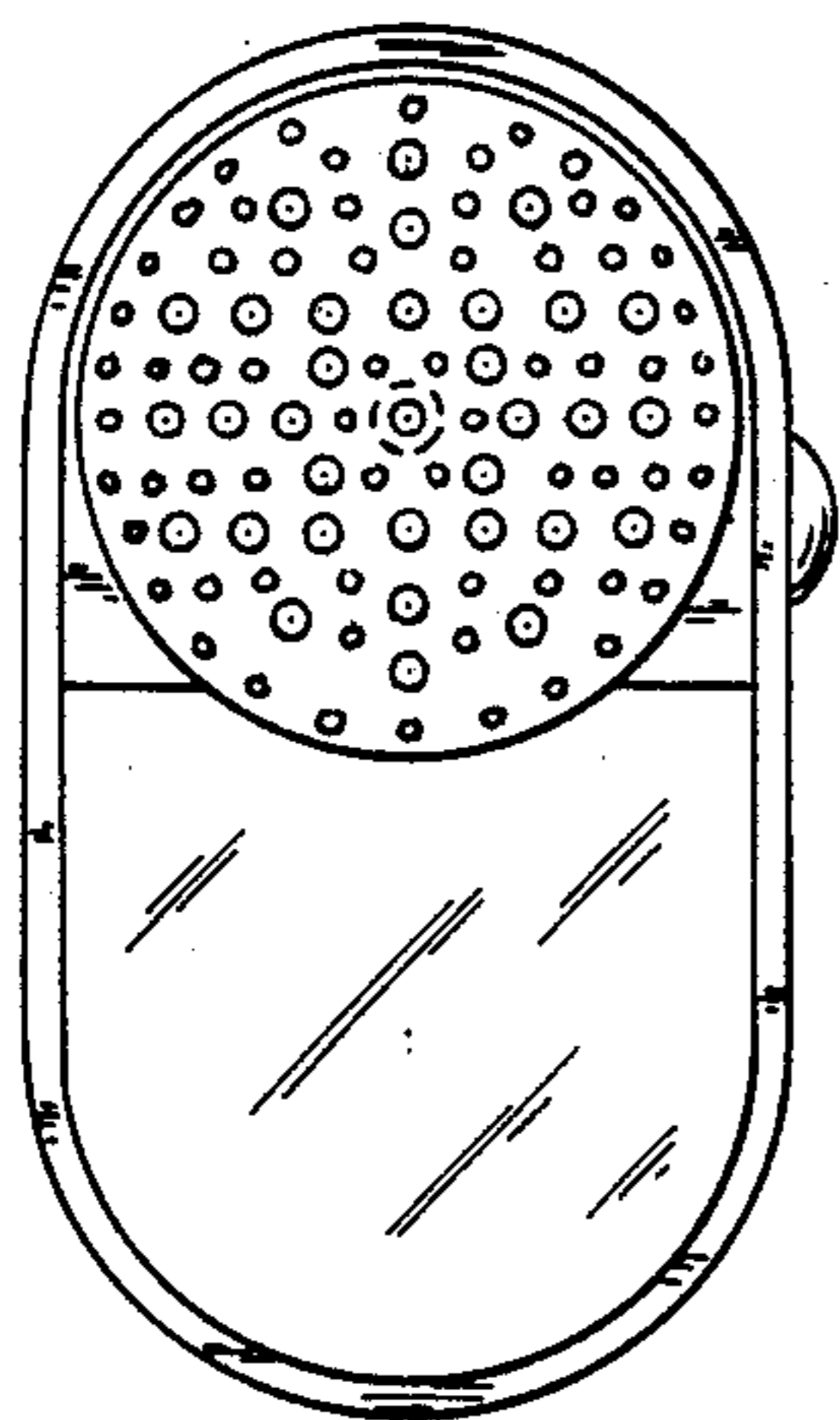


FIG. 8

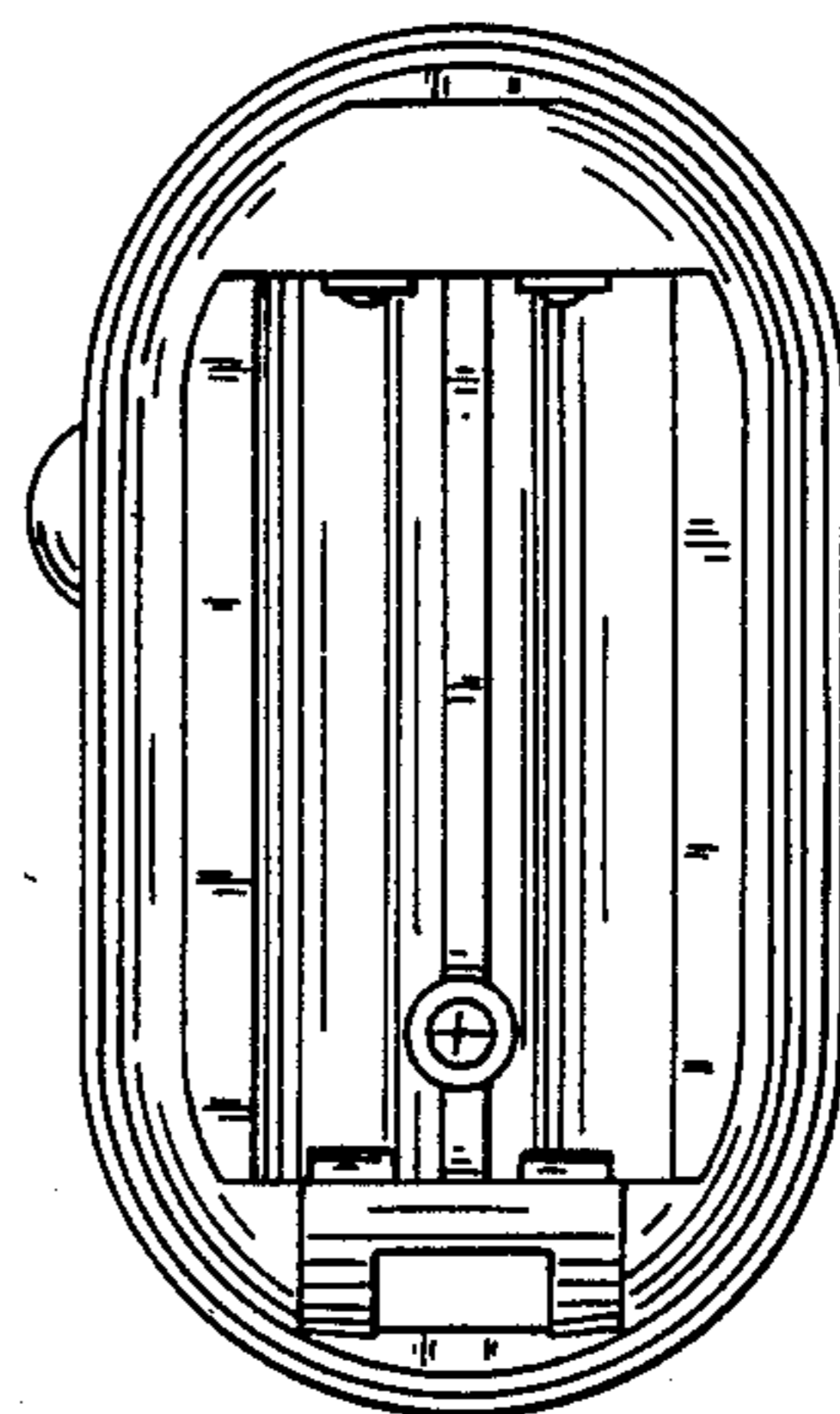


FIG. 9

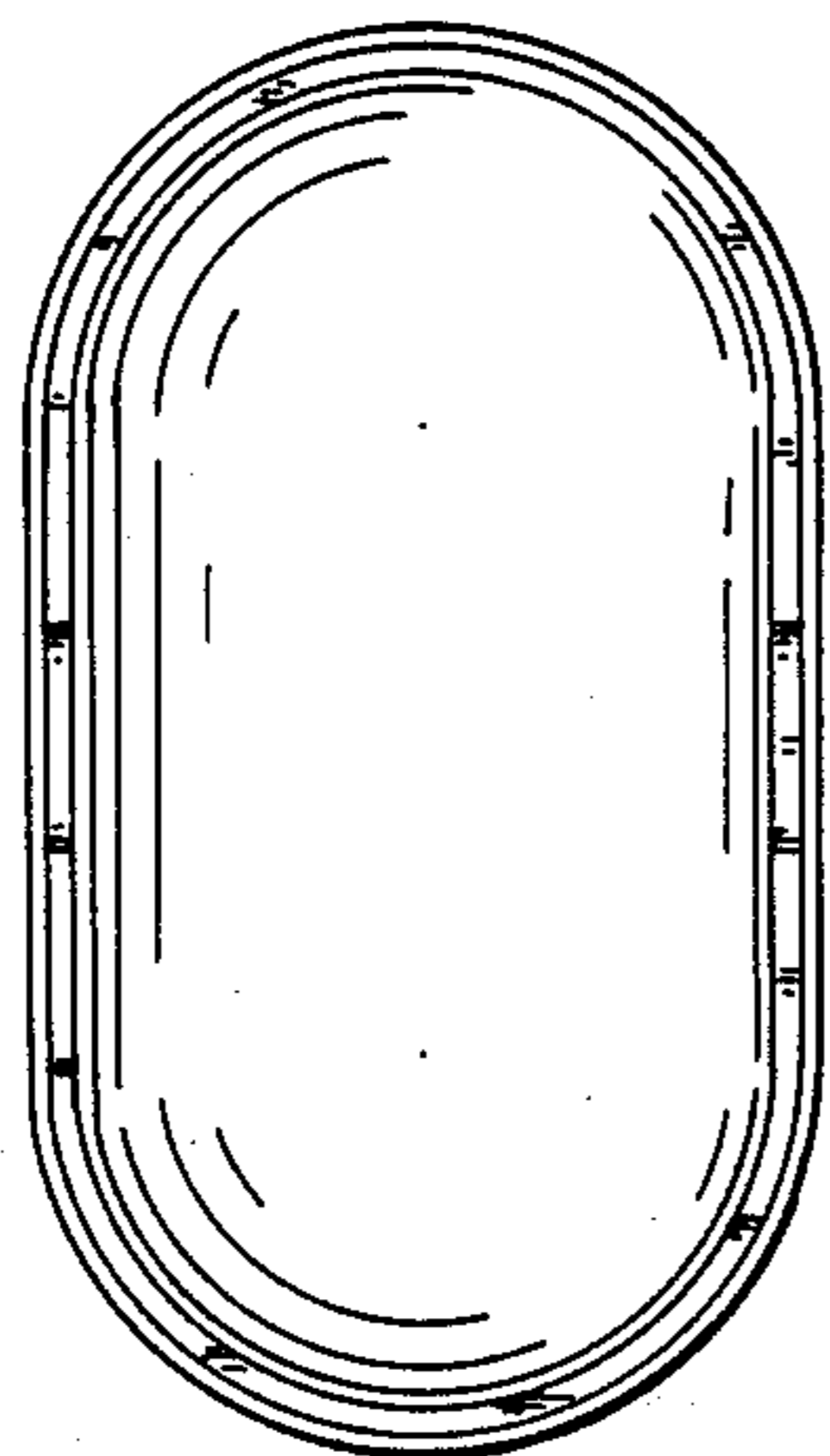


FIG. 10

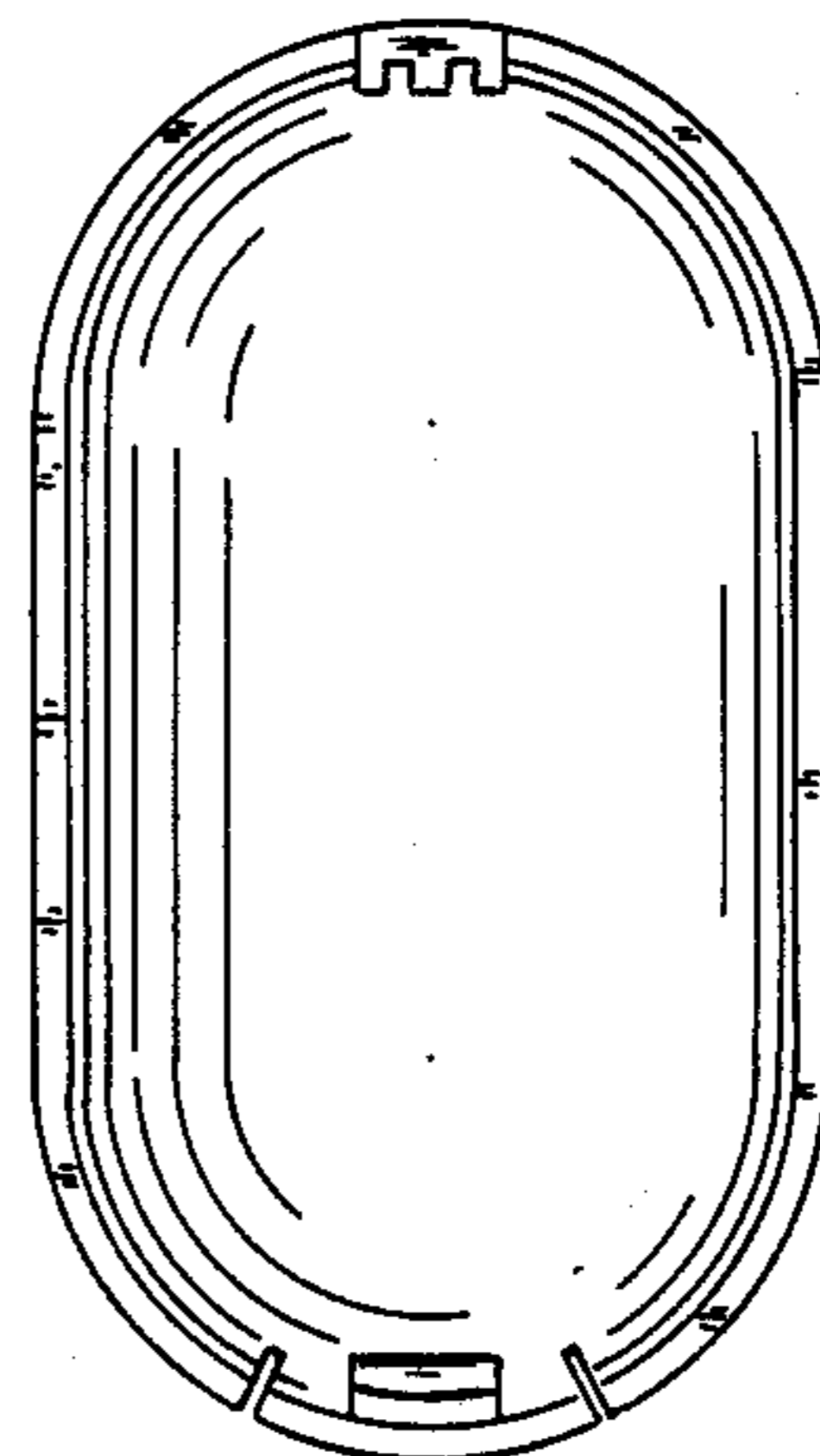


FIG. 11