

United States Patent [19]

Newberry, Jr.

[11] Patent Number: Des. 306,496

[45] Date of Patent: ** Mar. 6, 1990

[54] COMBINED SHAVING CREAM DISPENSER AND RAZOR SUPPORT

[75] Inventor: Thomas E. Newberry, Jr.,
Longwood, Fla.

[73] Assignee: White Laboratories, Inc., Apopka,
Fla.

[**] Term: 14 Years

[21] Appl. No.: 18,970

[22] Filed: Feb. 25, 1987

[52] U.S. Cl. D28/48; D28/45

[58] Field of Search D28/44-54;
30/32, 34.05, 41, 41.5, 41.6, 41.9, 42, 44, 47, 50,
90, 84-86

[56] **References Cited**

U.S. PATENT DOCUMENTS

D. 121,479 7/1940 Loewy D28/51

D. 242,902	1/1977	Hackmyer	D28/47 X
D. 281,282	11/1985	Lazarus	D28/47
D. 293,831	1/1988	McGready	D28/48
D. 297,375	8/1988	Liu	D28/49
D. 297,773	9/1988	Jacoby	D28/52
3,985,146	10/1976	Albach	30/41 X

Primary Examiner—Louis S. Zarfes
Attorney, Agent, or Firm—Bacon & Thomas

[57] **CLAIM**

The ornamental design for a combined shaving cream dispenser and razor support, as shown.

DESCRIPTION

FIG. 1 is a front elevational view of a combined shaving cream dispenser and razor support showing my new design;
FIG. 2 is a right side elevational view;
FIG. 3 is a rear elevational view;
FIG. 4 is a top plan view; and
FIG. 5 is a bottom plan view.

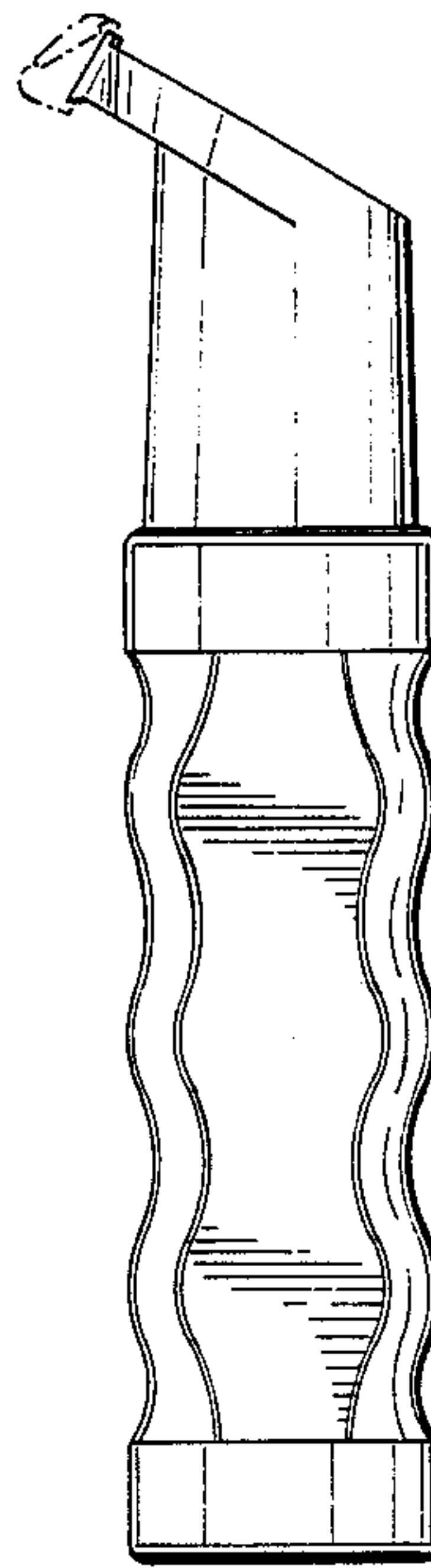
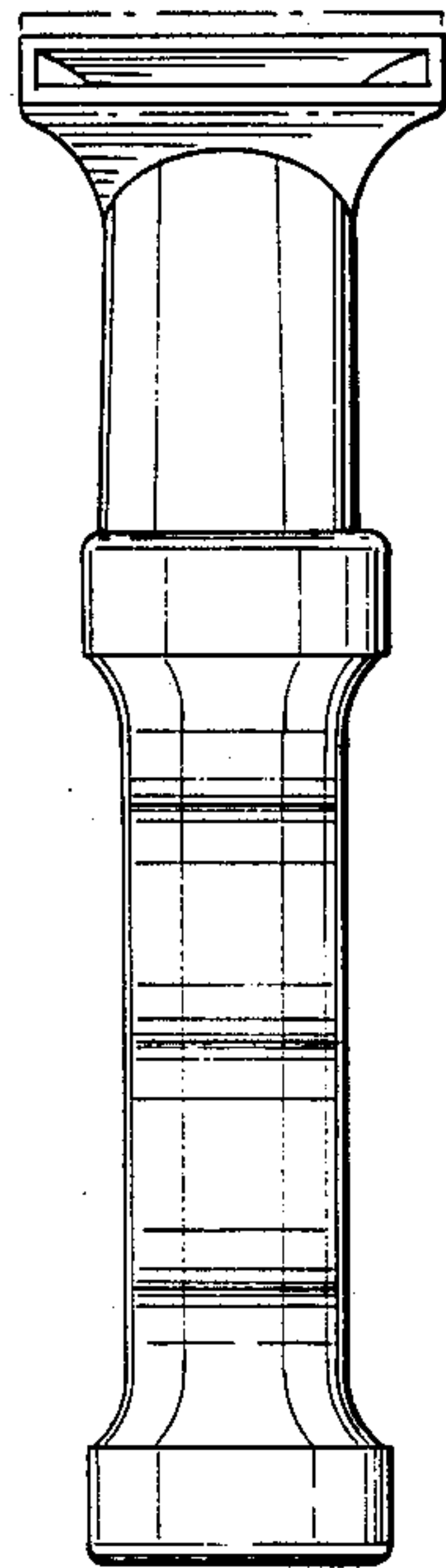


FIG. 1

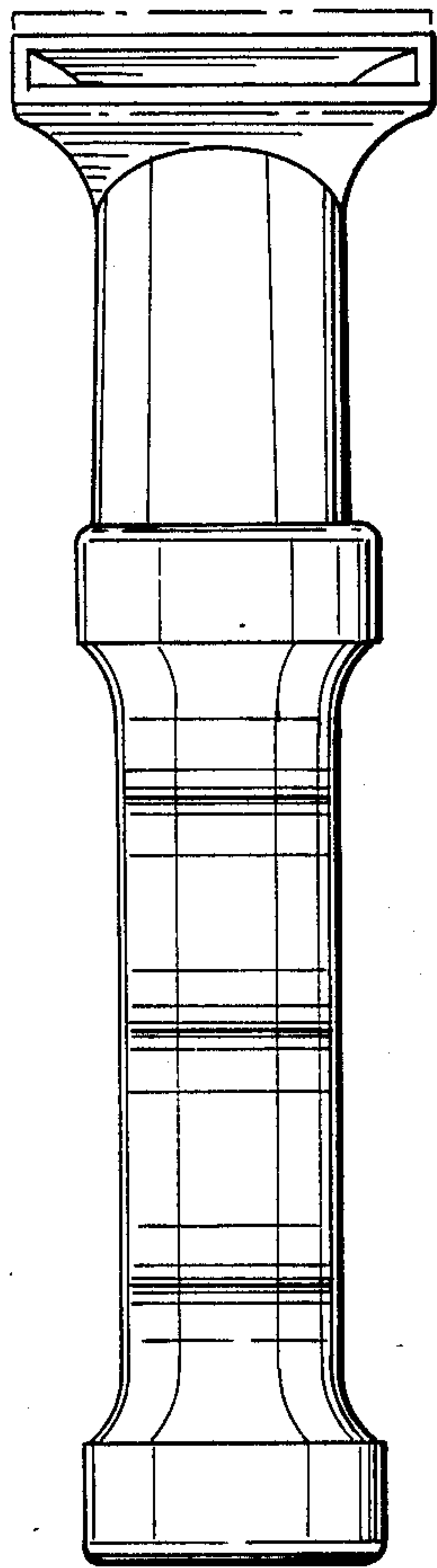


FIG. 2

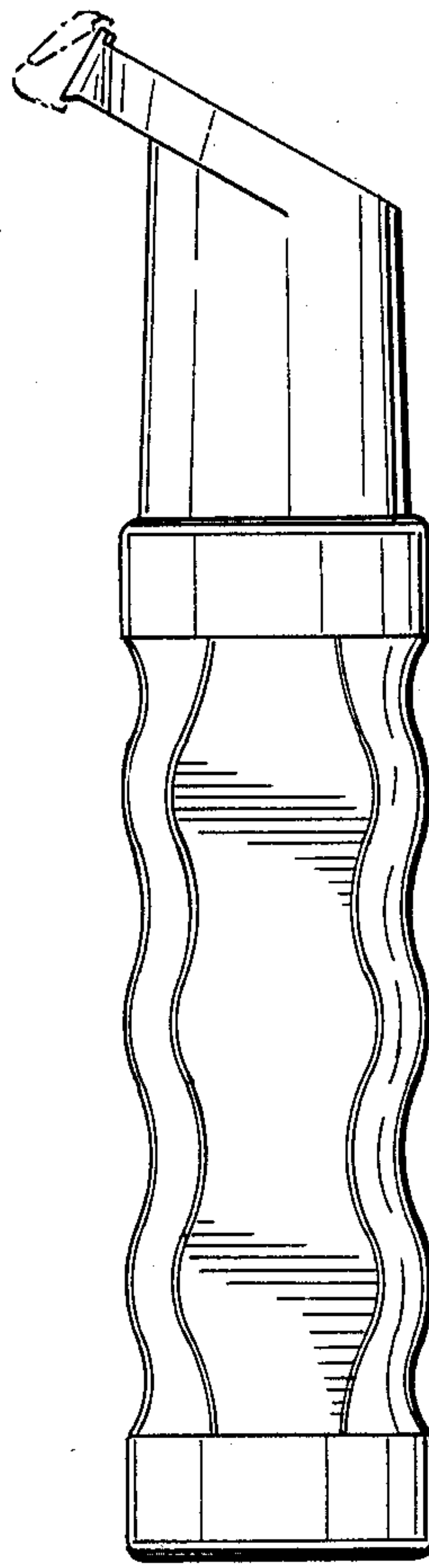


FIG. 3

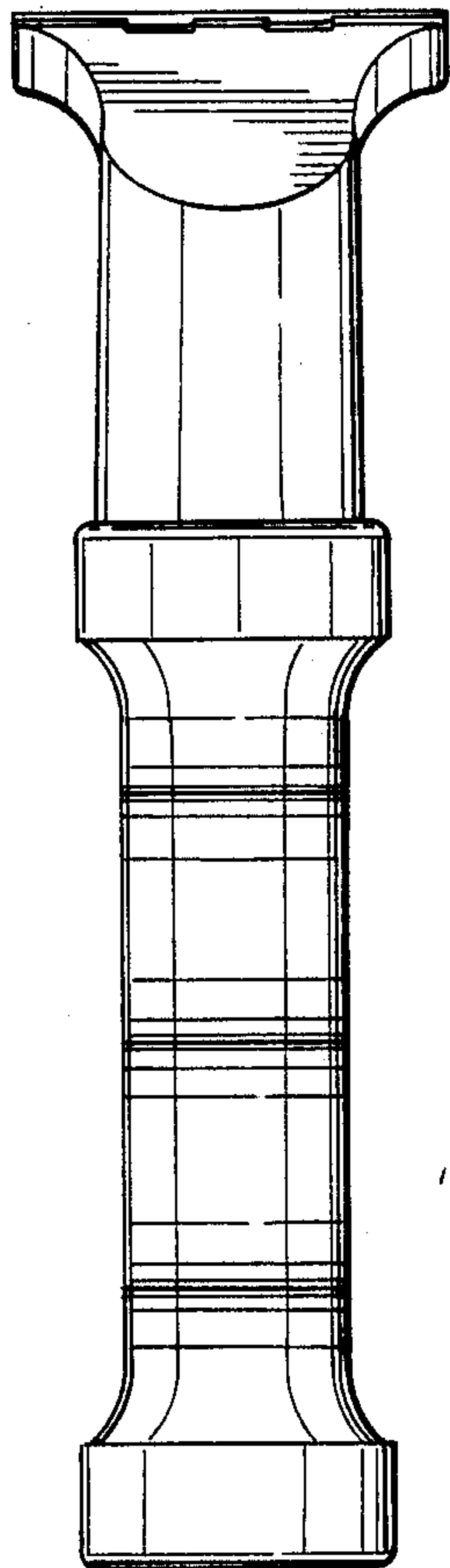


FIG. 4

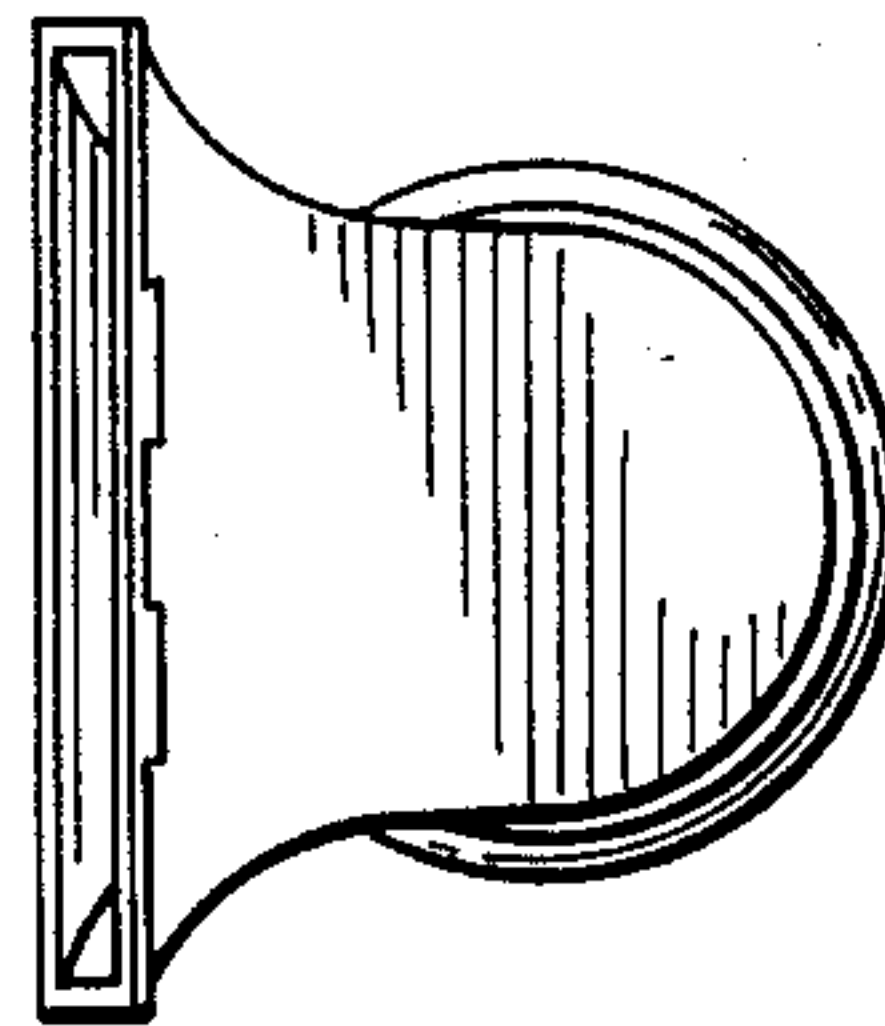


FIG. 5

