

[54] **PORTABLE SUPPORT PLATFORM**

[76] **Inventor: Bobby F. Mosburg, P.O. Box 1301, Beaver, Okla. 73931**

[**] **Term: 14 Years**

[21] **Appl. No.: 241,121**

[22] **Filed: Sep. 1, 1988**

[52] **U.S. Cl. D25/62**

[58] **Field of Search D25/62, 64, 68, 66; 182/56, 101, 102, 115, 116, 141, 187, 222**

[56] **References Cited**

U.S. PATENT DOCUMENTS

1,257,056	2/1918	Wheatley	182/116
1,953,390	4/1934	Bosch	182/116
2,419,145	4/1947	Kersenbrock et al.	182/141
4,667,773	5/1987	Davis	182/187

Primary Examiner—A. Hugo Word
Assistant Examiner—Doris Clark
Attorney, Agent, or Firm—Glen M. Burdick

[57] **CLAIM**

The ornamental design for a portable support platform, as shown and described.

DESCRIPTION

FIG. 1 is a perspective view of a portable support platform showing my new design, a portion of a polish rod of the well and the pumper being shown in phantom for illustrative purposes only and forms no part of the claimed design;

FIG. 2 is an elevational view of one side thereof;

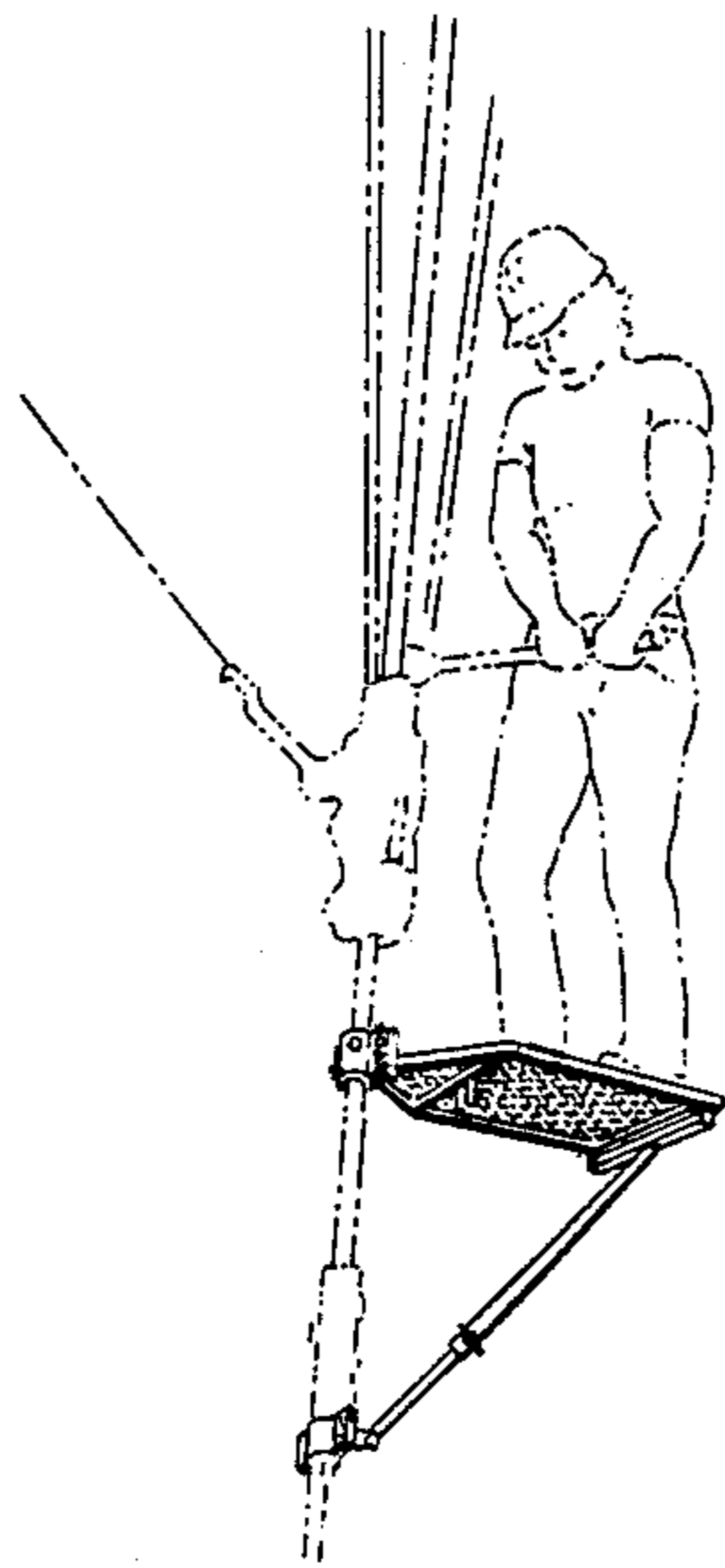
FIG. 3 is an elevational view of an opposite side thereof;

FIG. 4 is a top plan view thereof;

FIG. 5 is a bottom plan view thereof;

FIG. 6 is an elevational view of one end thereof; and

FIG. 7 is an elevational view of an opposite end thereof.



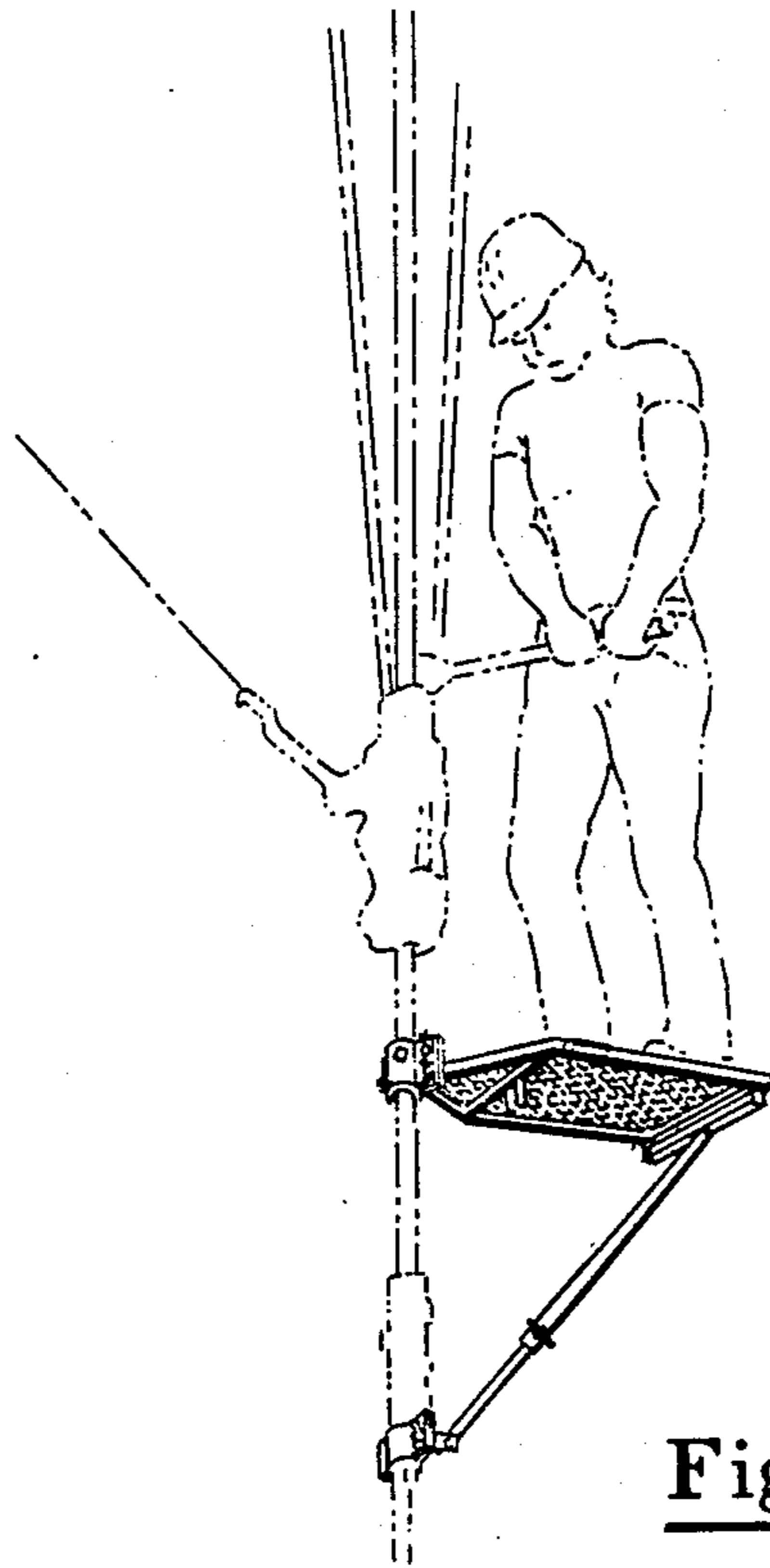


Fig. 1

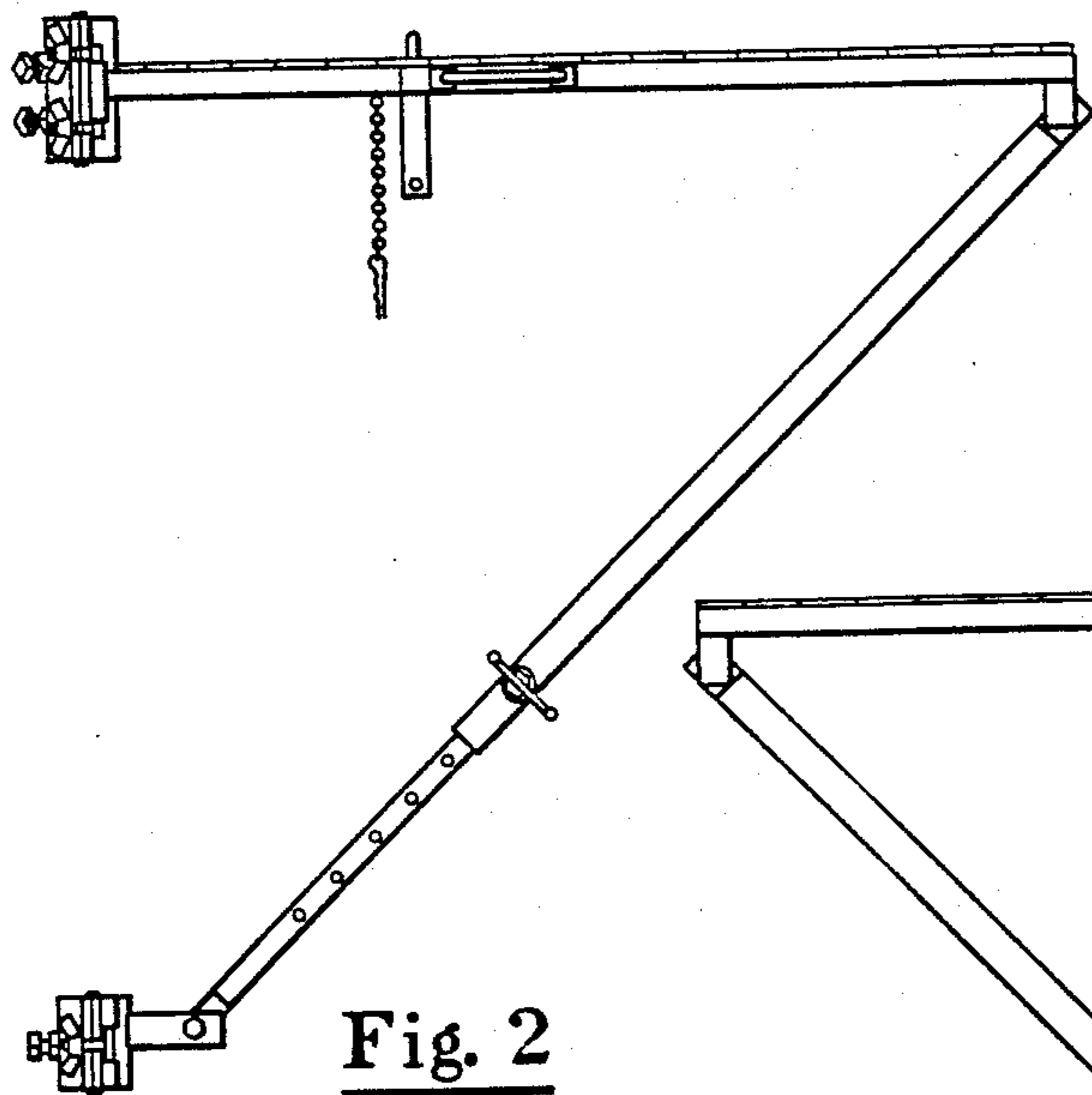


Fig. 2

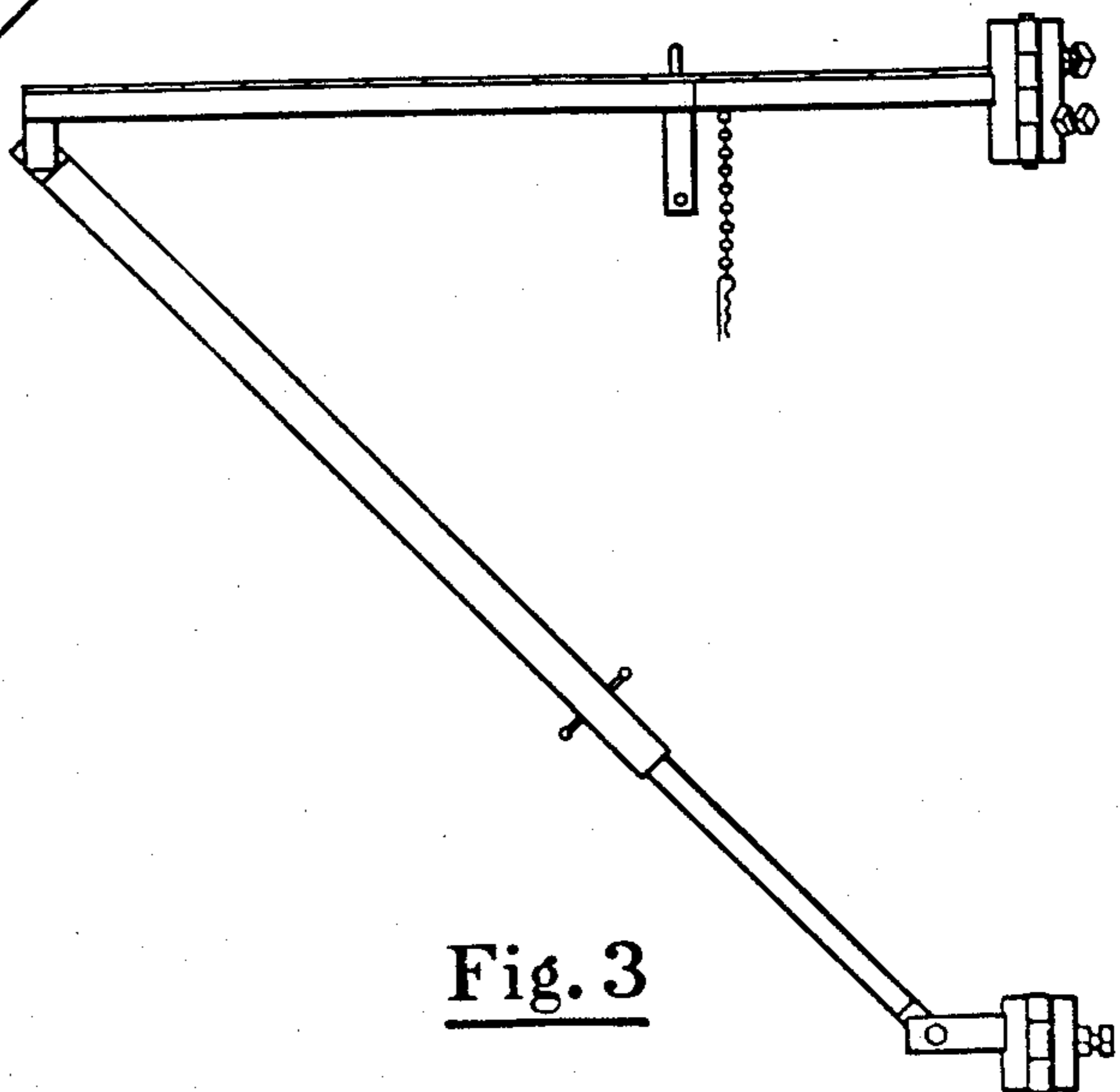


Fig. 3

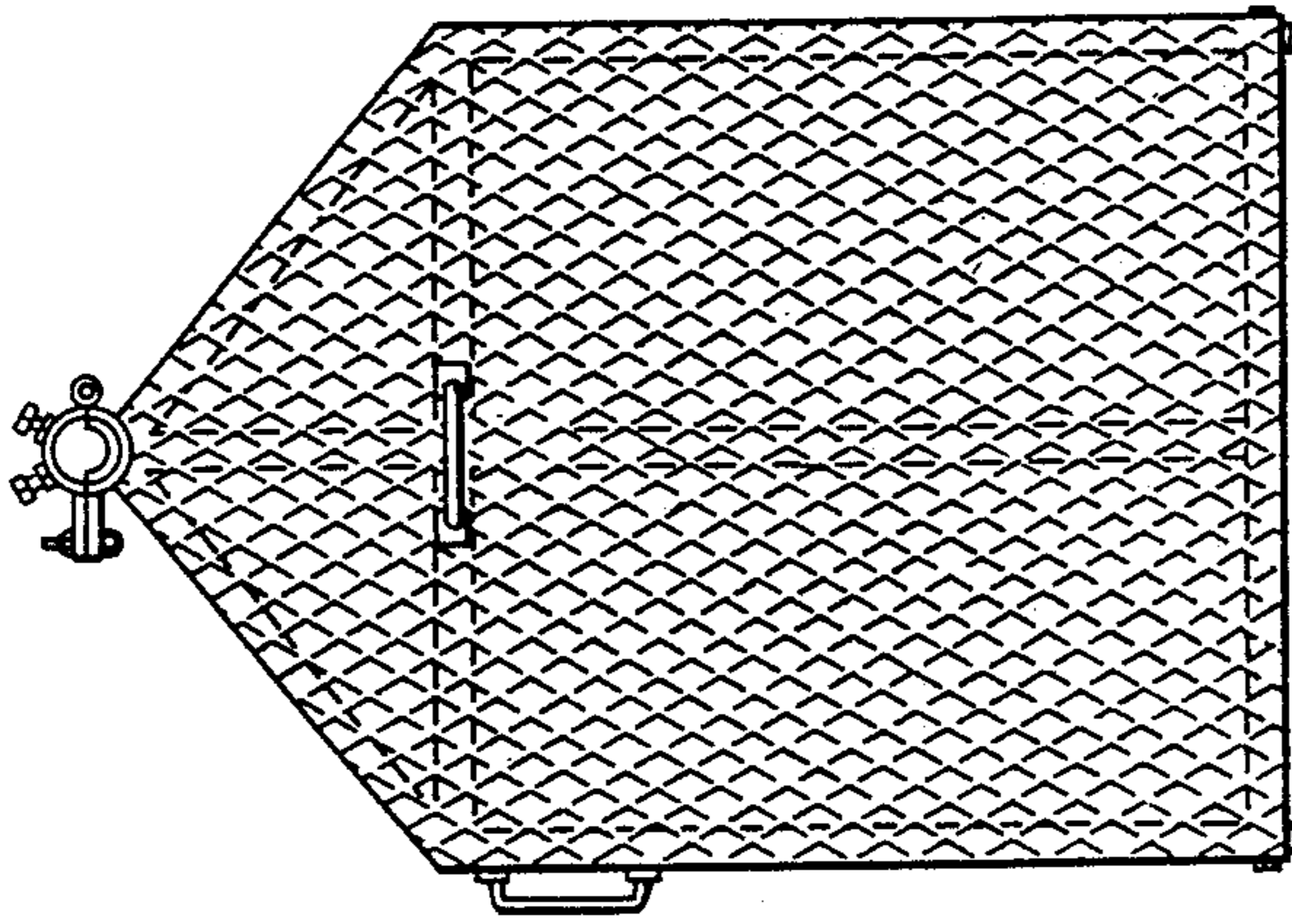


Fig. 4

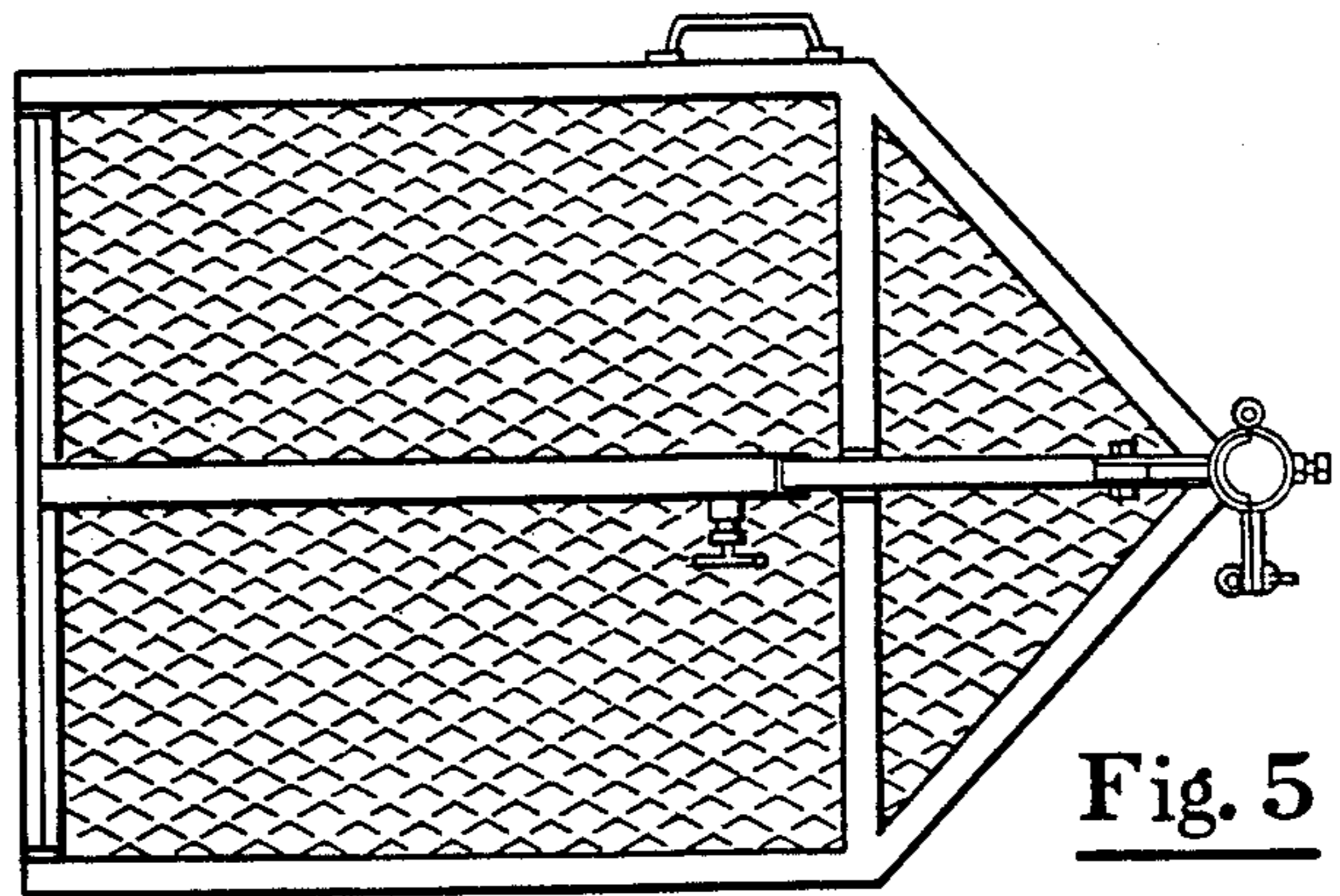


Fig. 5

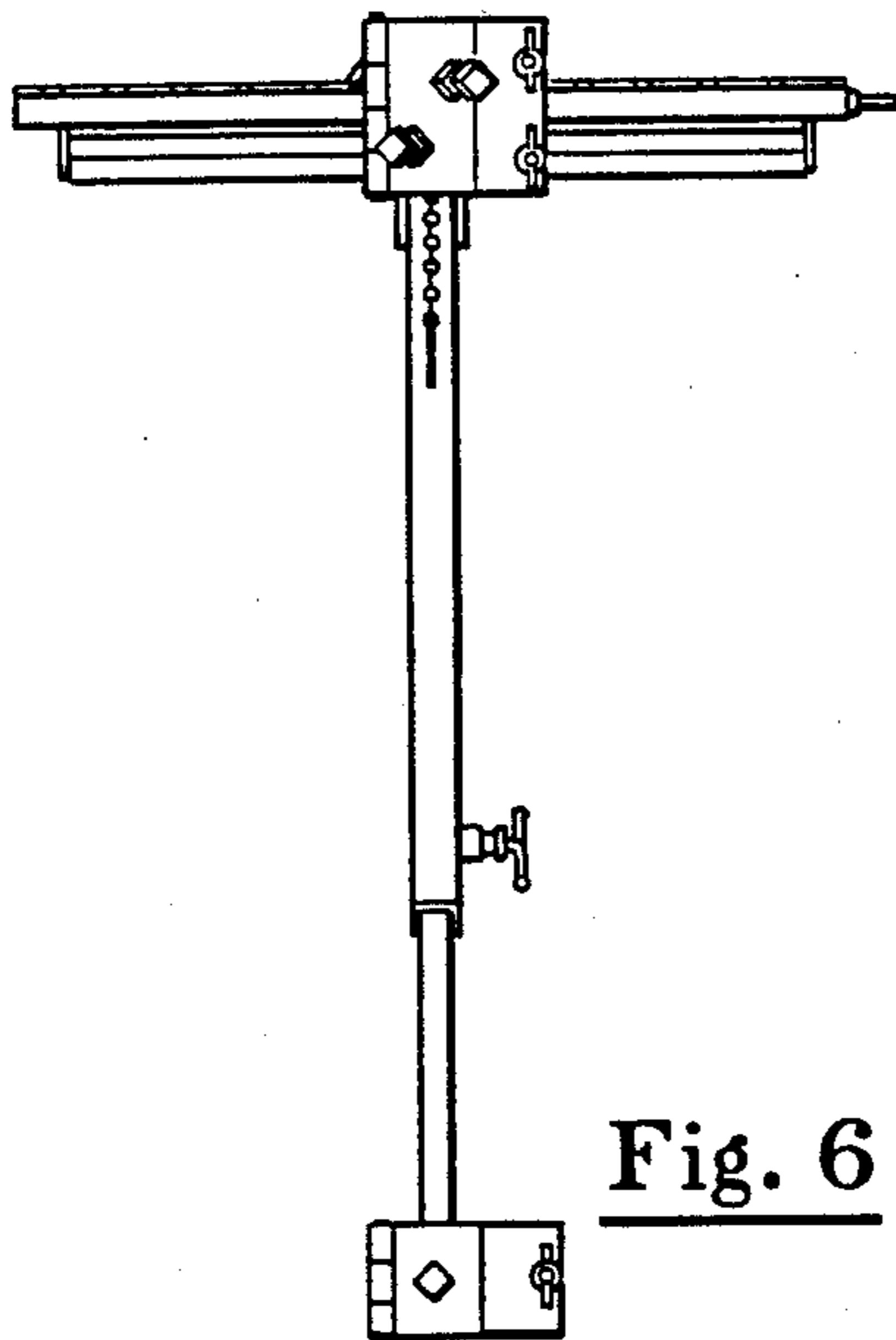


Fig. 6

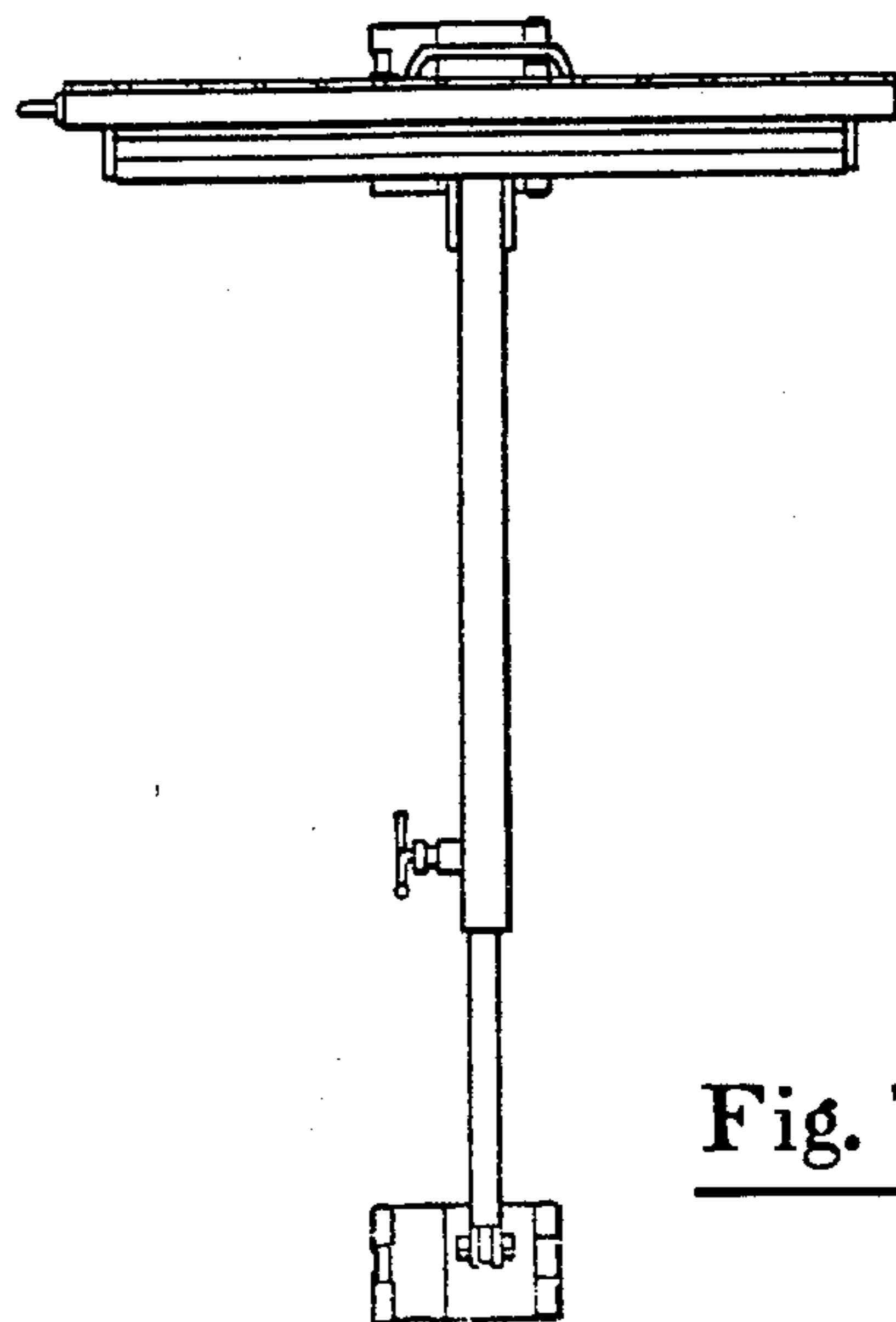


Fig. 7