

[54] **TREE STAND**

[57] **CLAIM**

[76] **Inventor: Gerald S. Fowler, Jr., 807 Twin Springs Ter., Norcross, Ga. 30093**

The ornamental design for a tree stand, as shown and described.

[**] **Term: 14 Years**

DESCRIPTION

[21] **Appl. No.: 171,405**

FIG. 1 is a perspective view of a tree stand showing my new design, the broken line showing of the tree is for illustrative purposes only and forms no part of the claimed design;

[22] **Filed: Mar. 21, 1988**

[52] **U.S. Cl. D25/62**

FIG. 2 is a front elevational view of the tree stand shown in FIG. 1;

[58] **Field of Search D25/62, 63, 64, 67; 182/187**

FIG. 3 is a rear elevational view of the tree stand shown in FIG. 1;

[56] **References Cited**

U.S. PATENT DOCUMENTS

3,368,725	2/1968	Martin	182/187
3,419,108	12/1968	Mobbs	182/129
4,113,057	9/1978	Bessinger	182/187
4,730,700	3/1988	Miller et al.	182/187

FIG. 4 is a side elevational view of the tree stand shown in FIG. 1 the opposite side being a mirror image thereof;

FIG. 5 is a top plan view of the tree stand shown in FIG. 1;

Primary Examiner—A. Hugo Word

Assistant Examiner—Doris Clark

Attorney, Agent, or Firm—Thomas & Kennedy

FIG. 6 is a bottom plan view of the tree stand shown in FIG. 1; and,

FIG. 7 is a side elevational view of the tree stand of FIG. 1 shown in folded configuration.

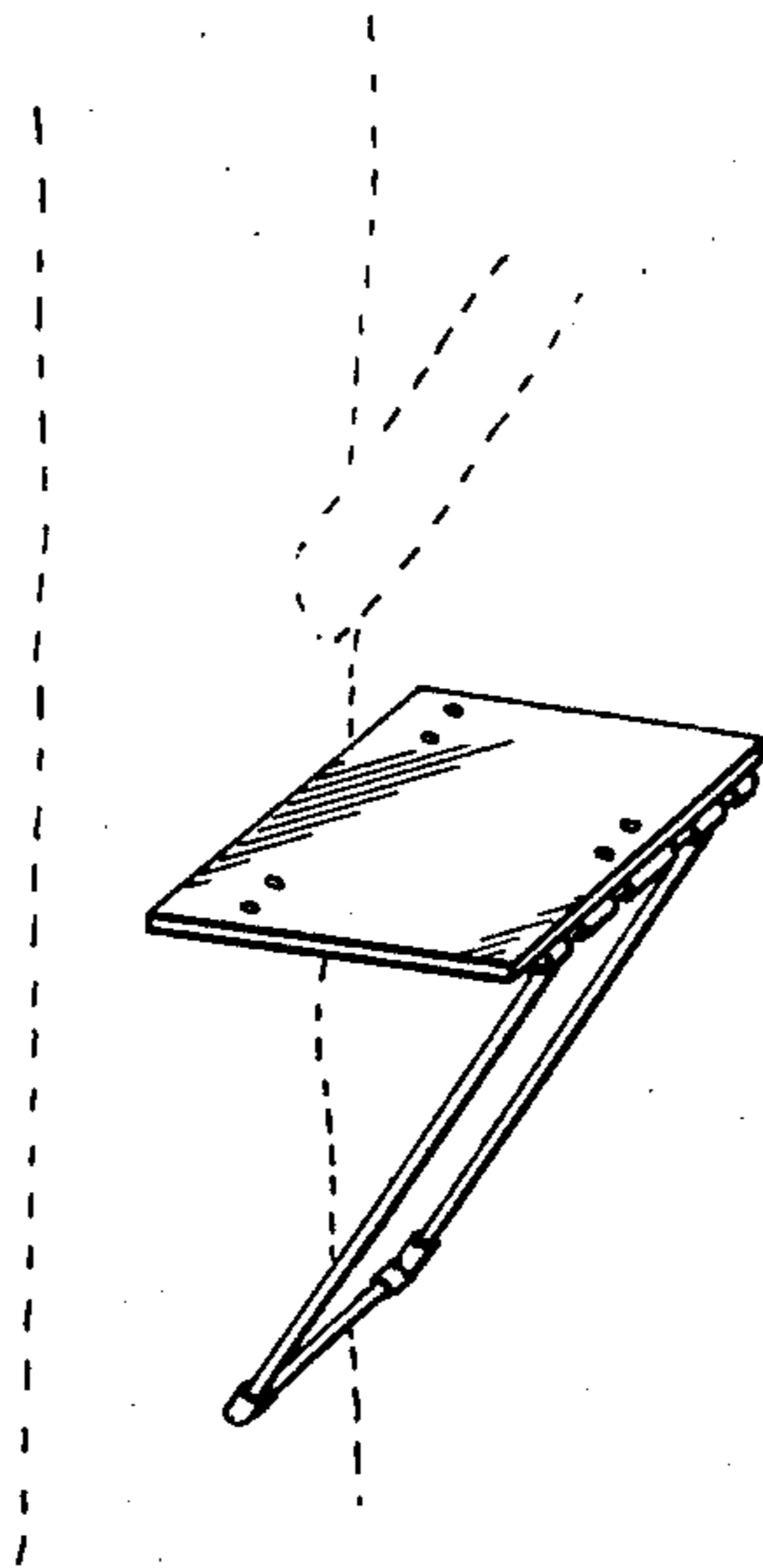


Fig 1

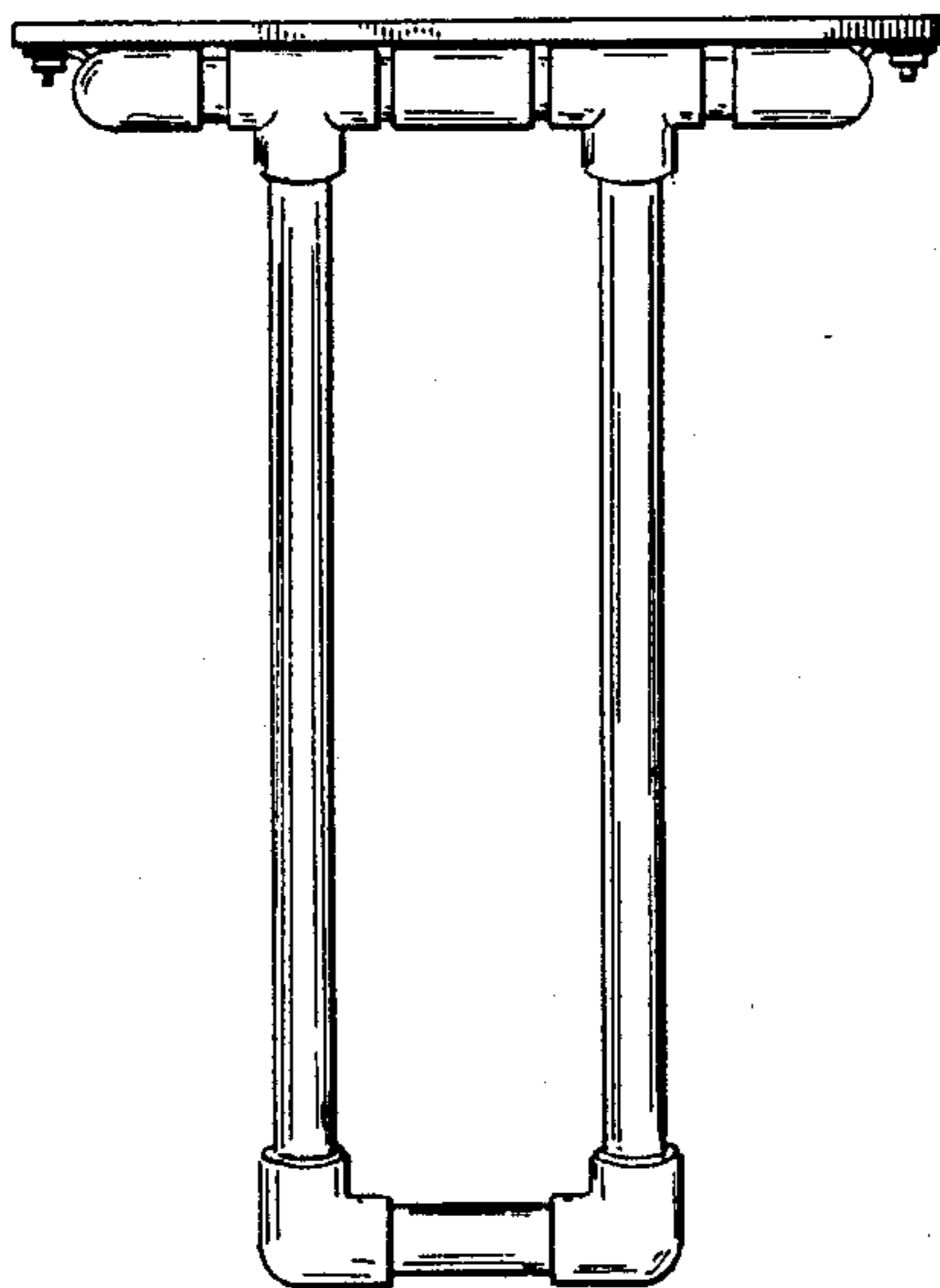
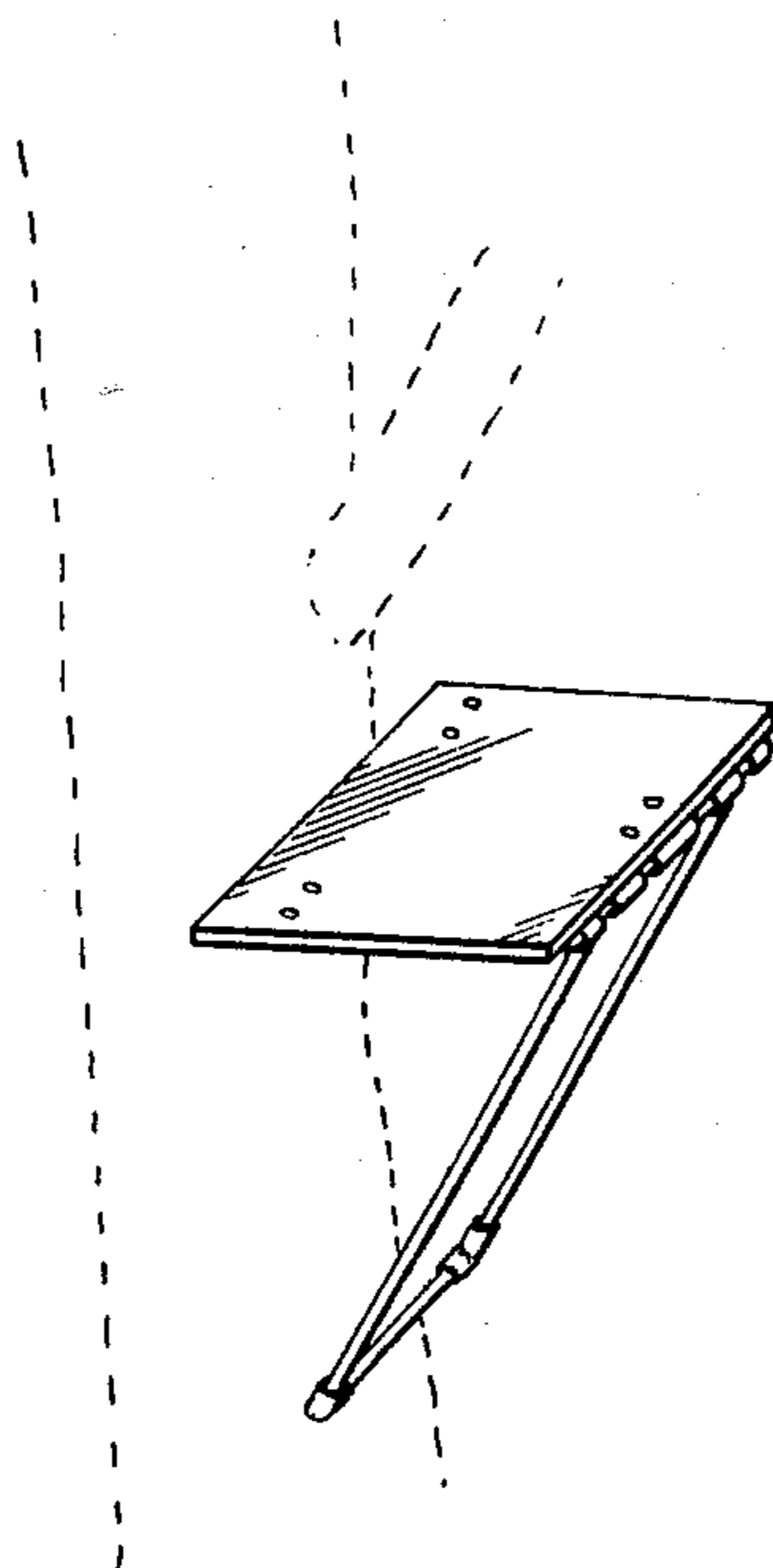


Fig 2

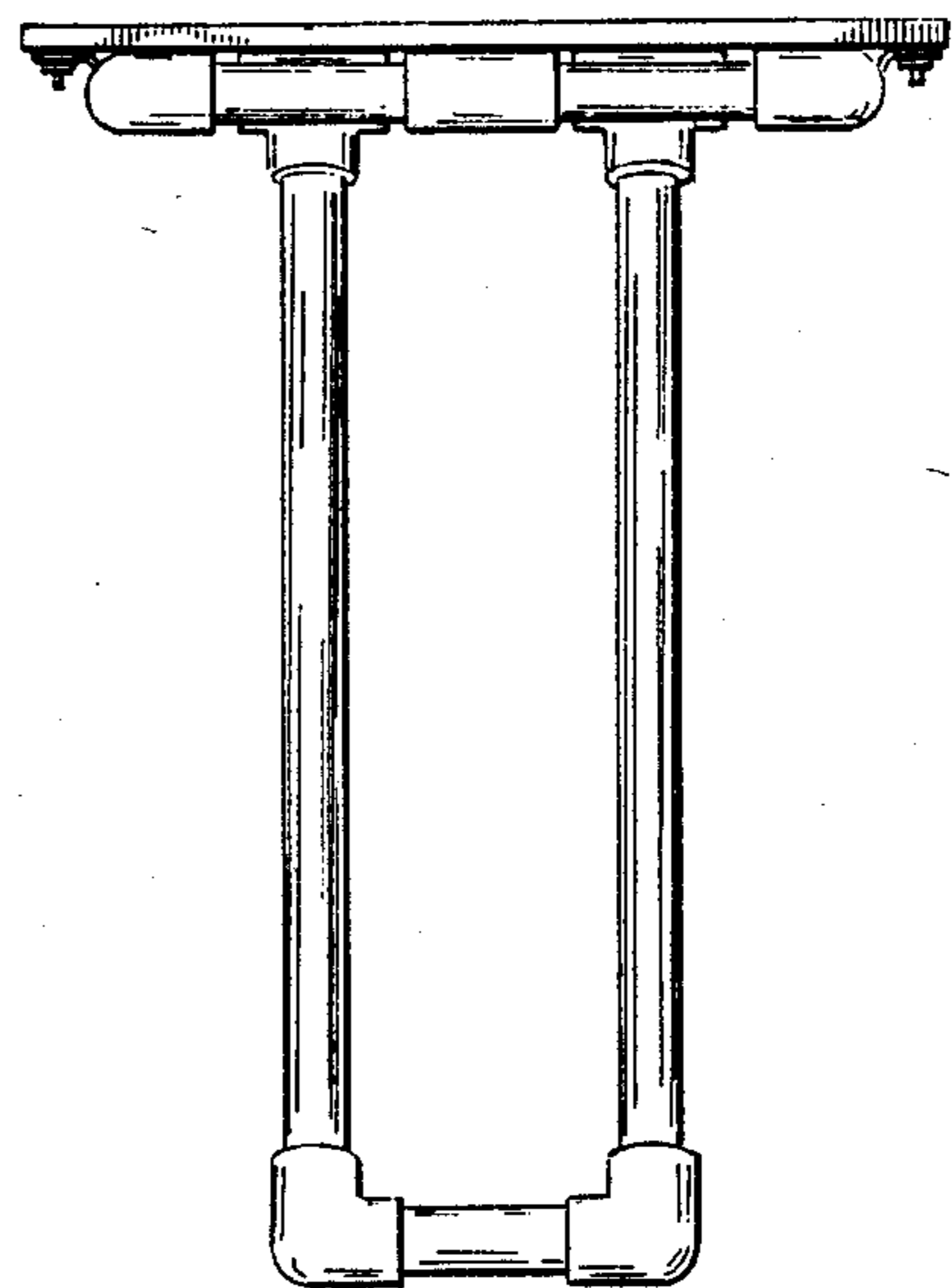


Fig 3

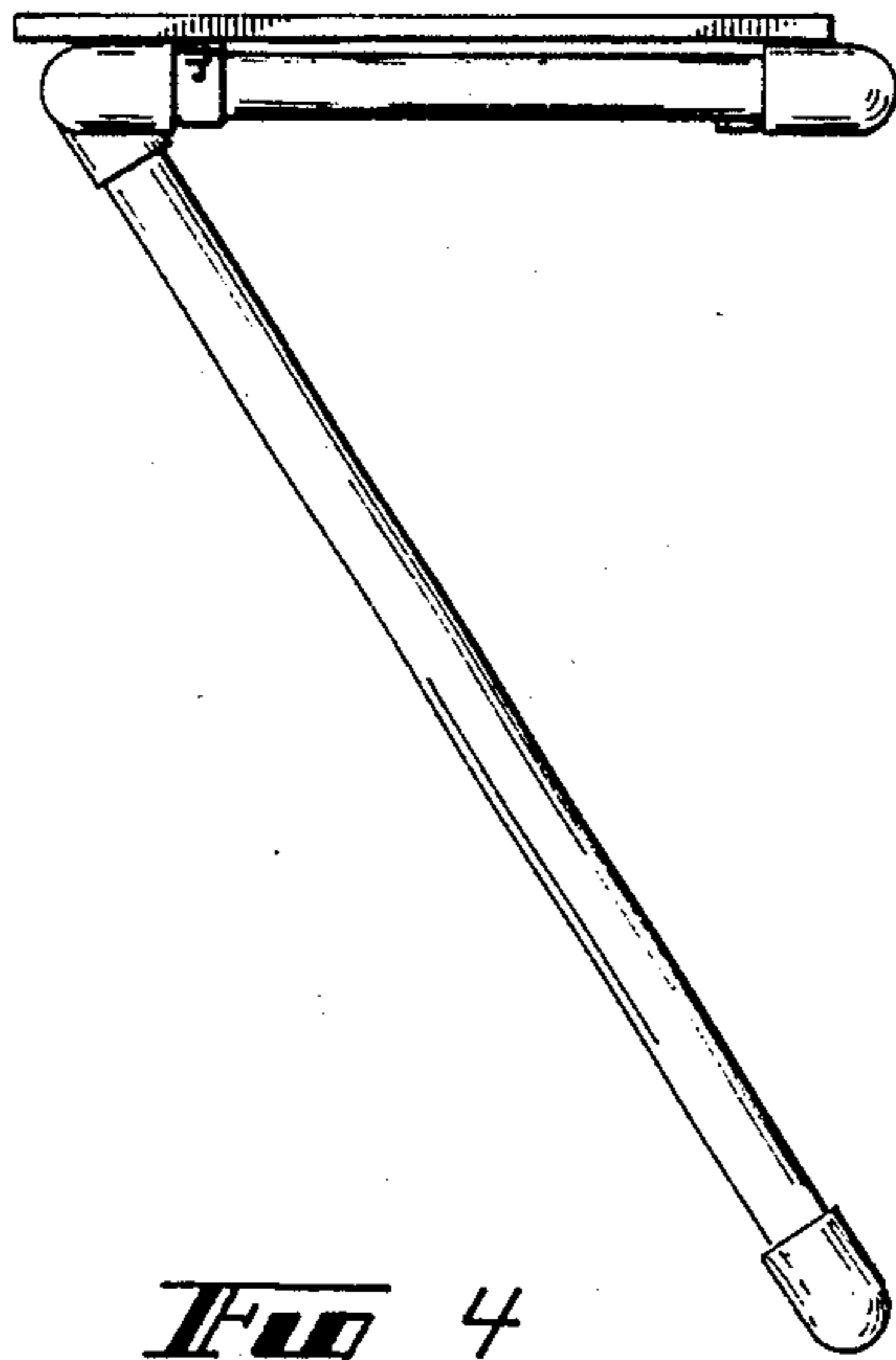


Fig 4

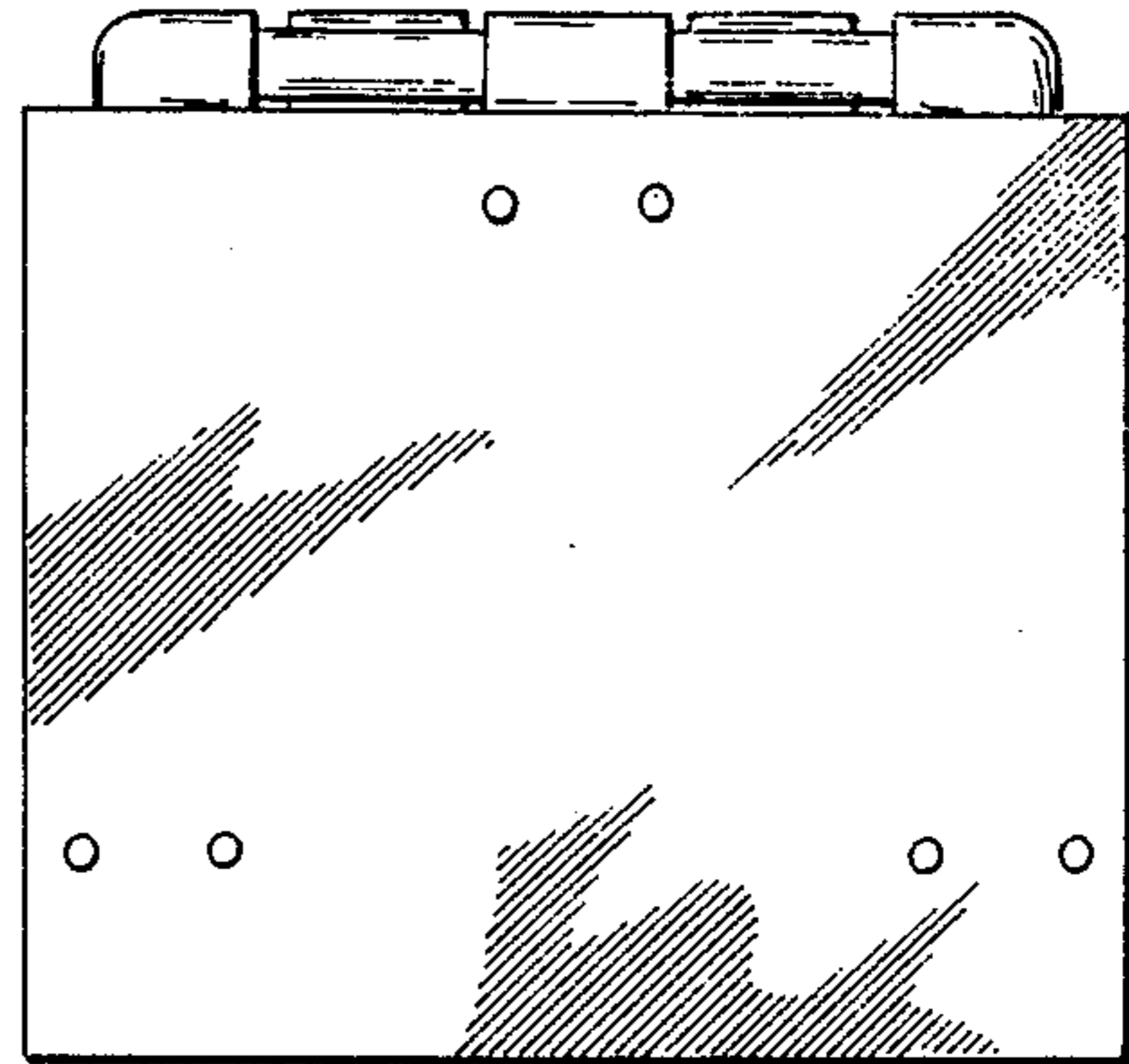


Fig 5

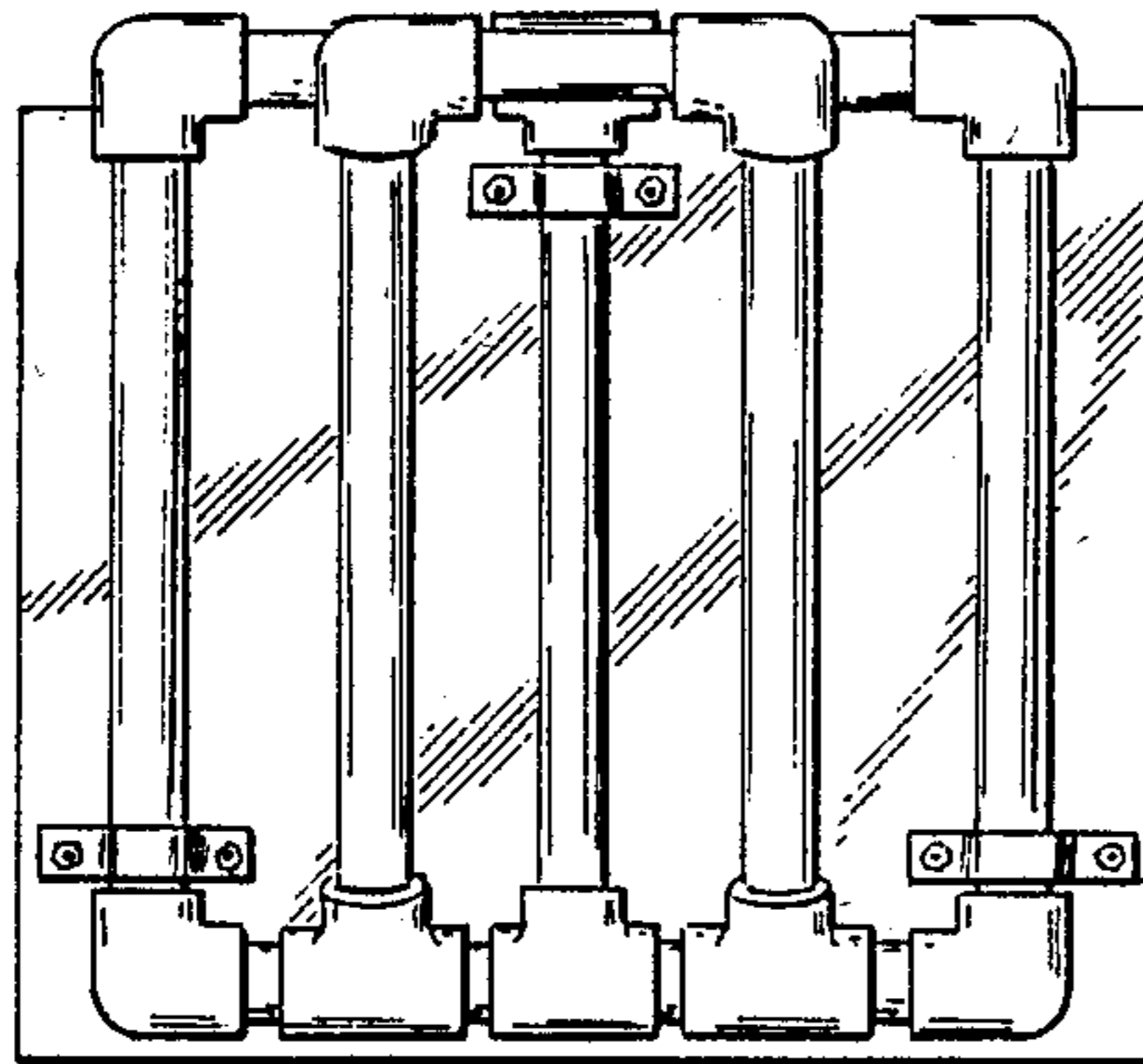


Fig 6

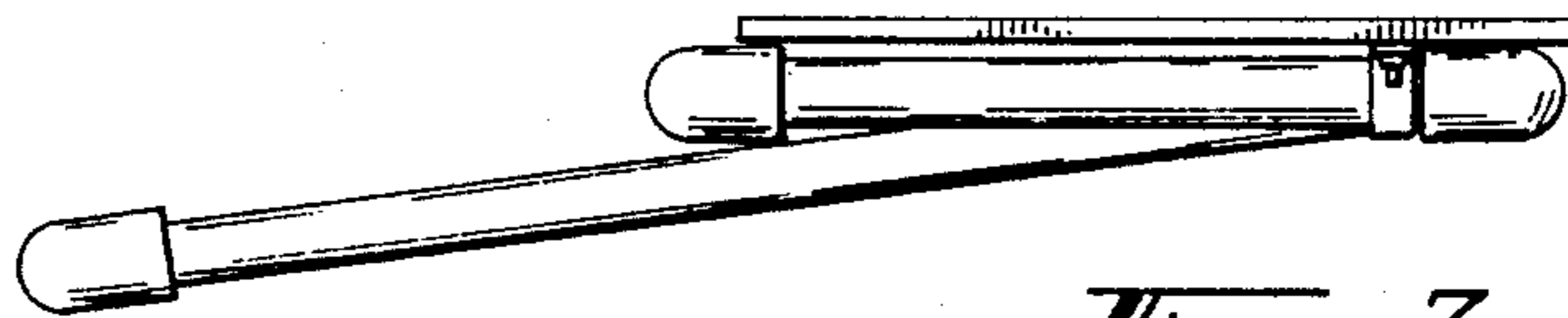


Fig 7