

- [54] BUBBLING BATH FOOT PAD
- [75] Inventors: Francois Geneve; Luc Heiligenstein, both of Chicago, Ill.
- [73] Assignee: Associated Mills Inc., Chicago, Ill.
- [**] Term: 14 Years
- [21] Appl. No.: 213,521
- [22] Filed: Jun. 30, 1988
- [52] U.S. Cl. D24/38
- [58] Field of Search D24/38; 4/580-583; 128/66

Primary Examiner—Wallace R. Burke
 Assistant Examiner—Stella M. Reid
 Attorney, Agent, or Firm—Laff, Whitesel, Conte & Saret

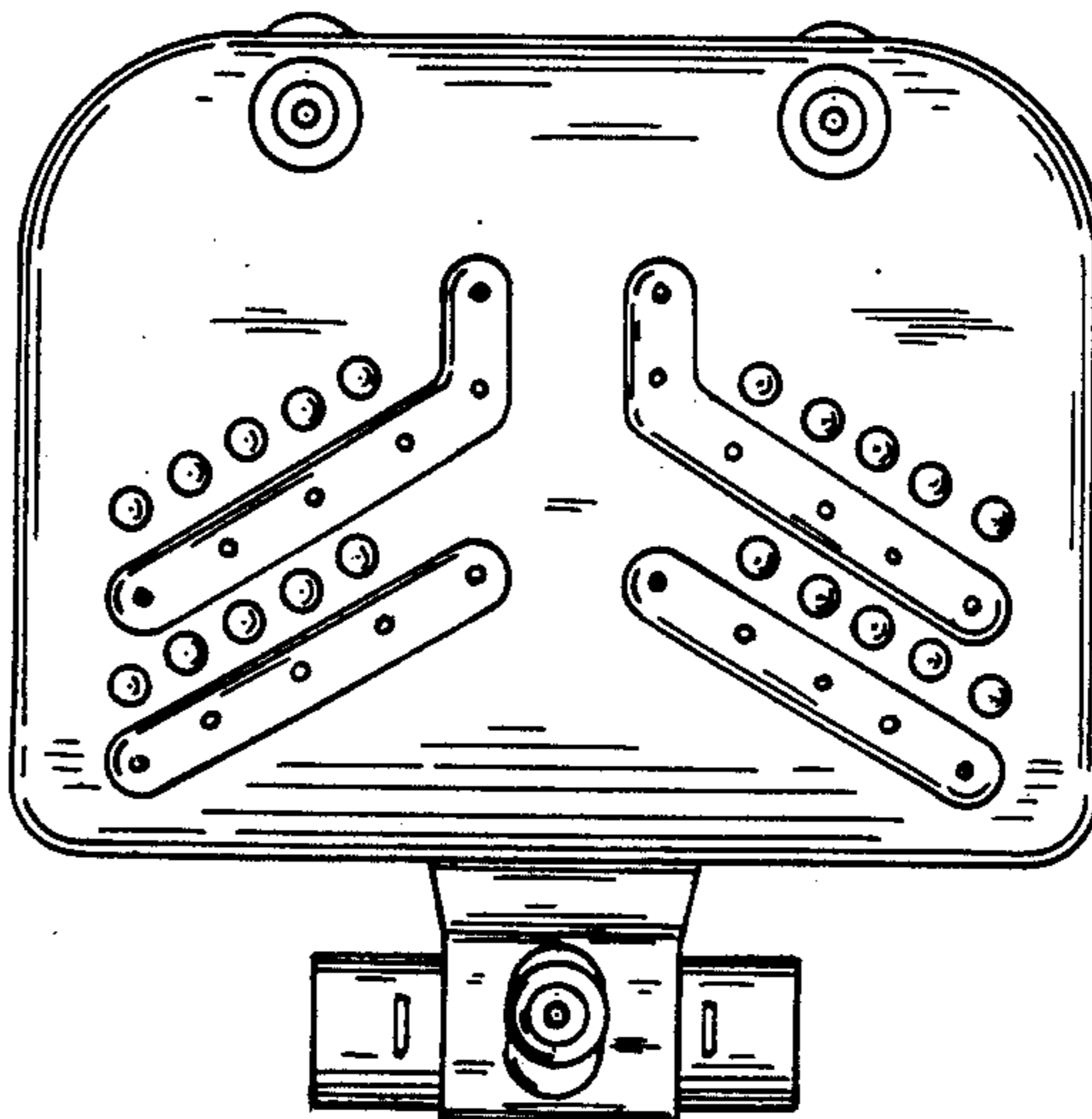
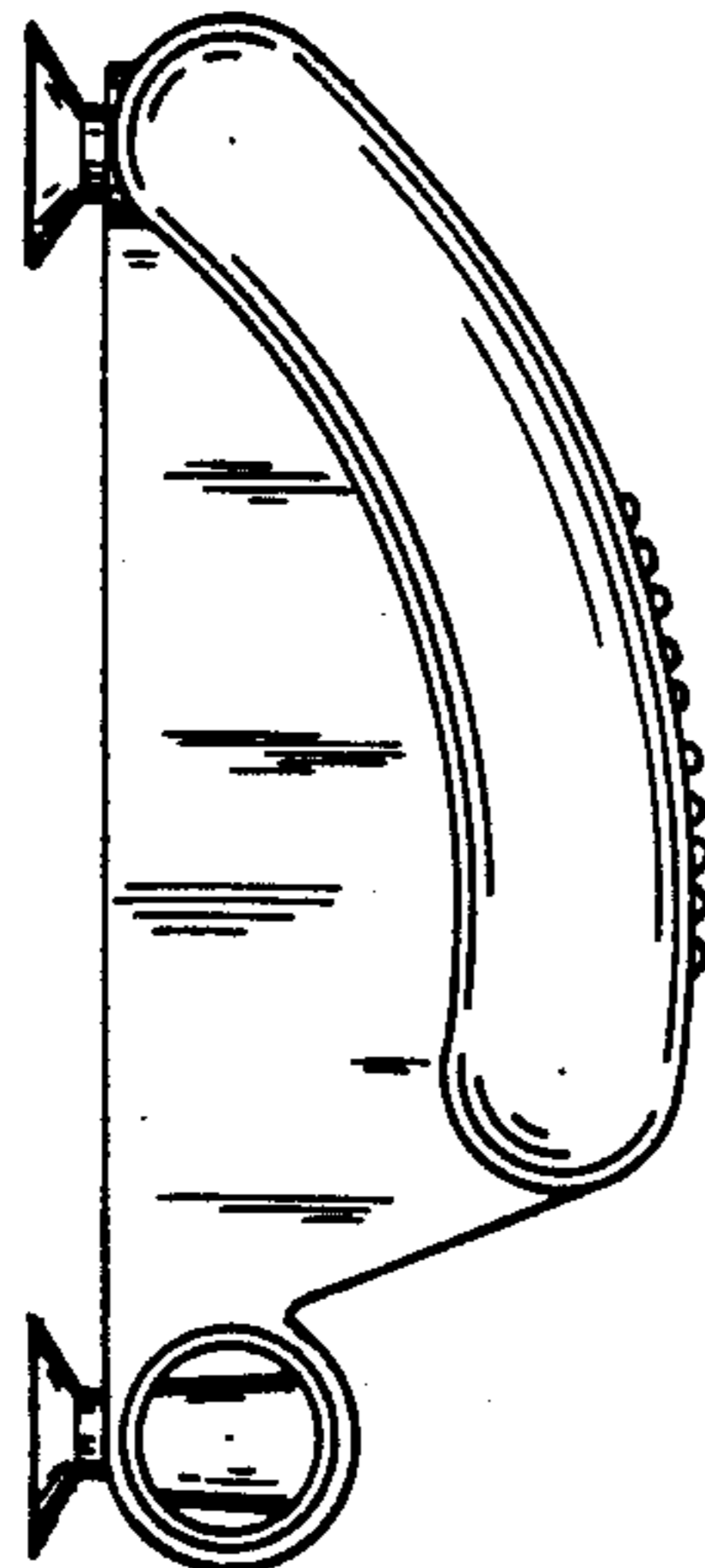
[57] CLAIM

The ornamental design for a bubbling bath foot pad, as shown and described.

DESCRIPTION

FIG. 1 is a top plan view of a bubbling bath foot pad, showing our new design;
 FIG. 2 is a left side elevational view thereof;
 FIG. 3 is a right side elevational view thereof;
 FIG. 4 is an end elevational view thereof;
 FIG. 5 is an end elevational view thereof, opposite that shown in FIG. 4;
 FIG. 6 is a bottom plan view thereof; and
 FIG. 7 is a side elevational view thereof on a reduced scale, the broken line showing of the bathtub and fixtures is for illustrative purposes only and forms no part of the claimed design.

- [56] References Cited
- U.S. PATENT DOCUMENTS
- D. 233,485 10/1974 Klages D24/38
- D. 288,607 3/1987 Baumann et al. D24/38
- 2,719,307 10/1955 Reid 128/66 X
- 3,076,976 2/1963 Bogar 128/66 X
- 3,809,073 5/1974 Baumann 128/66



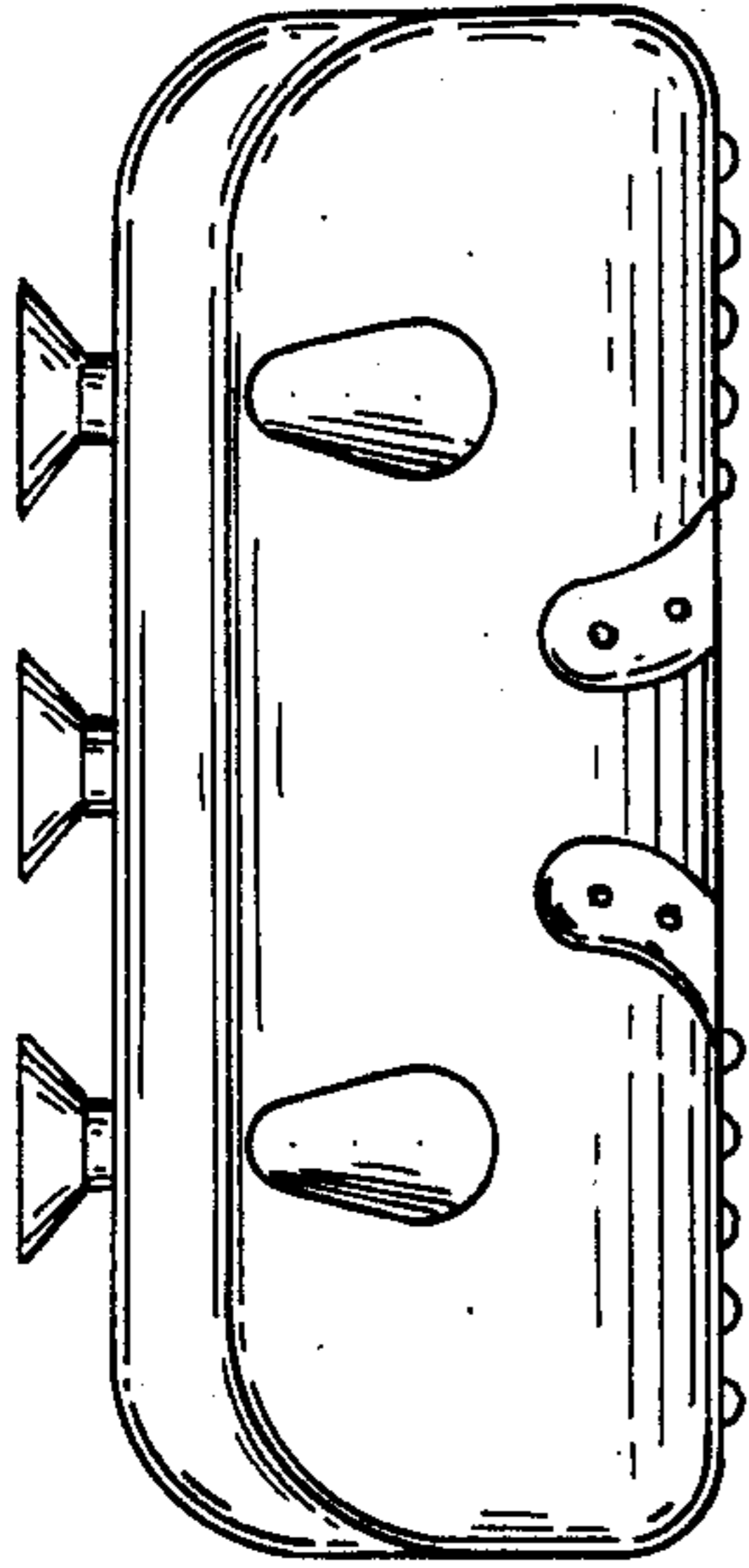


FIG. 5

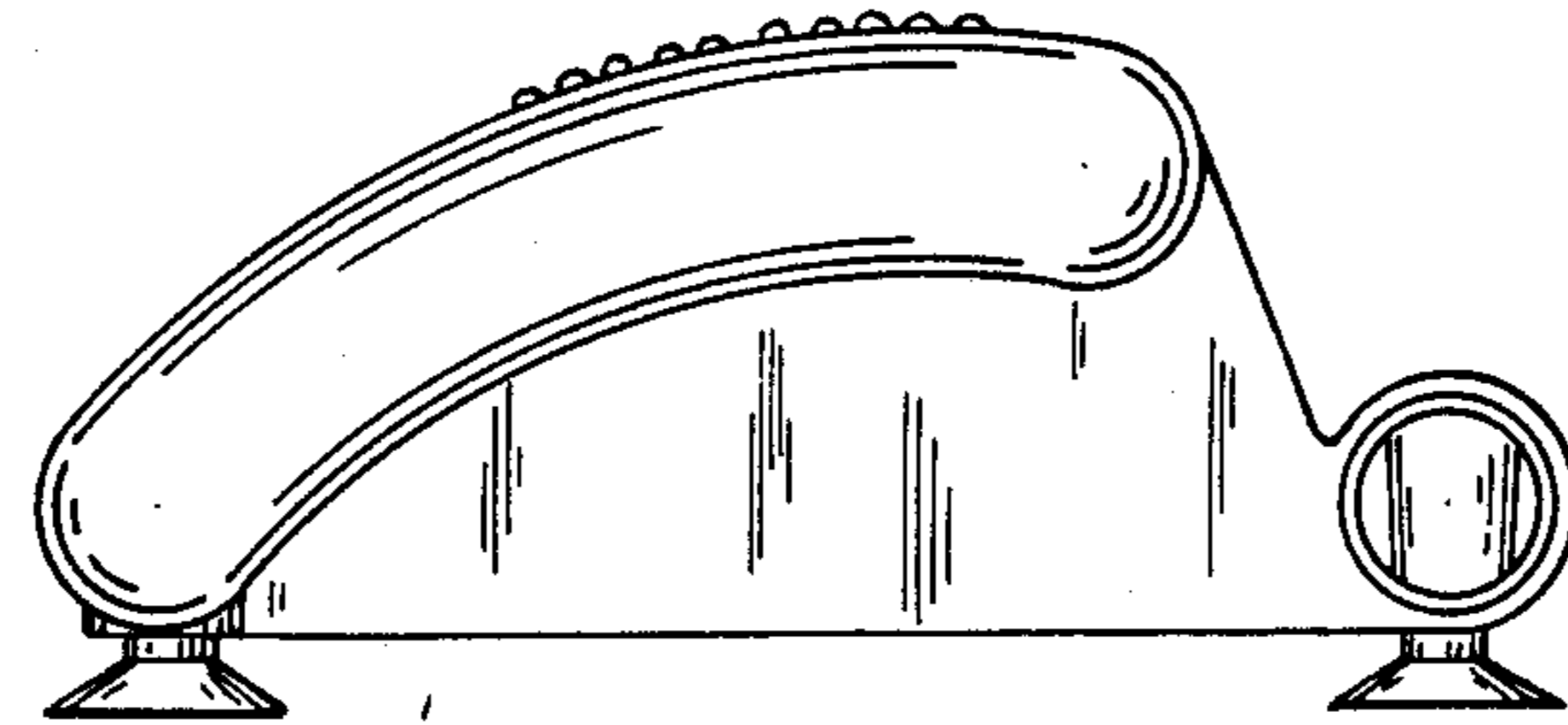


FIG. 2

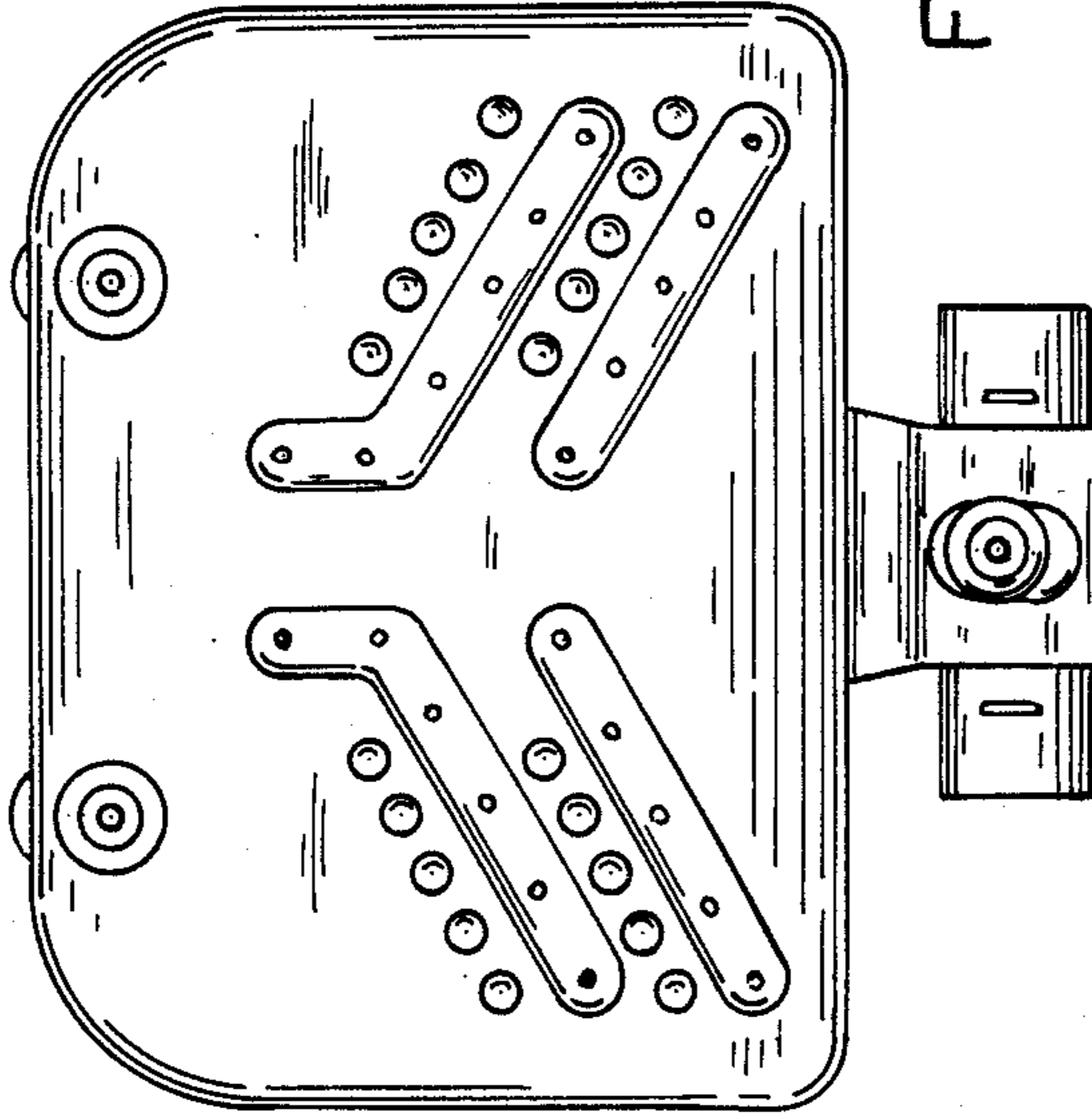


FIG. 1

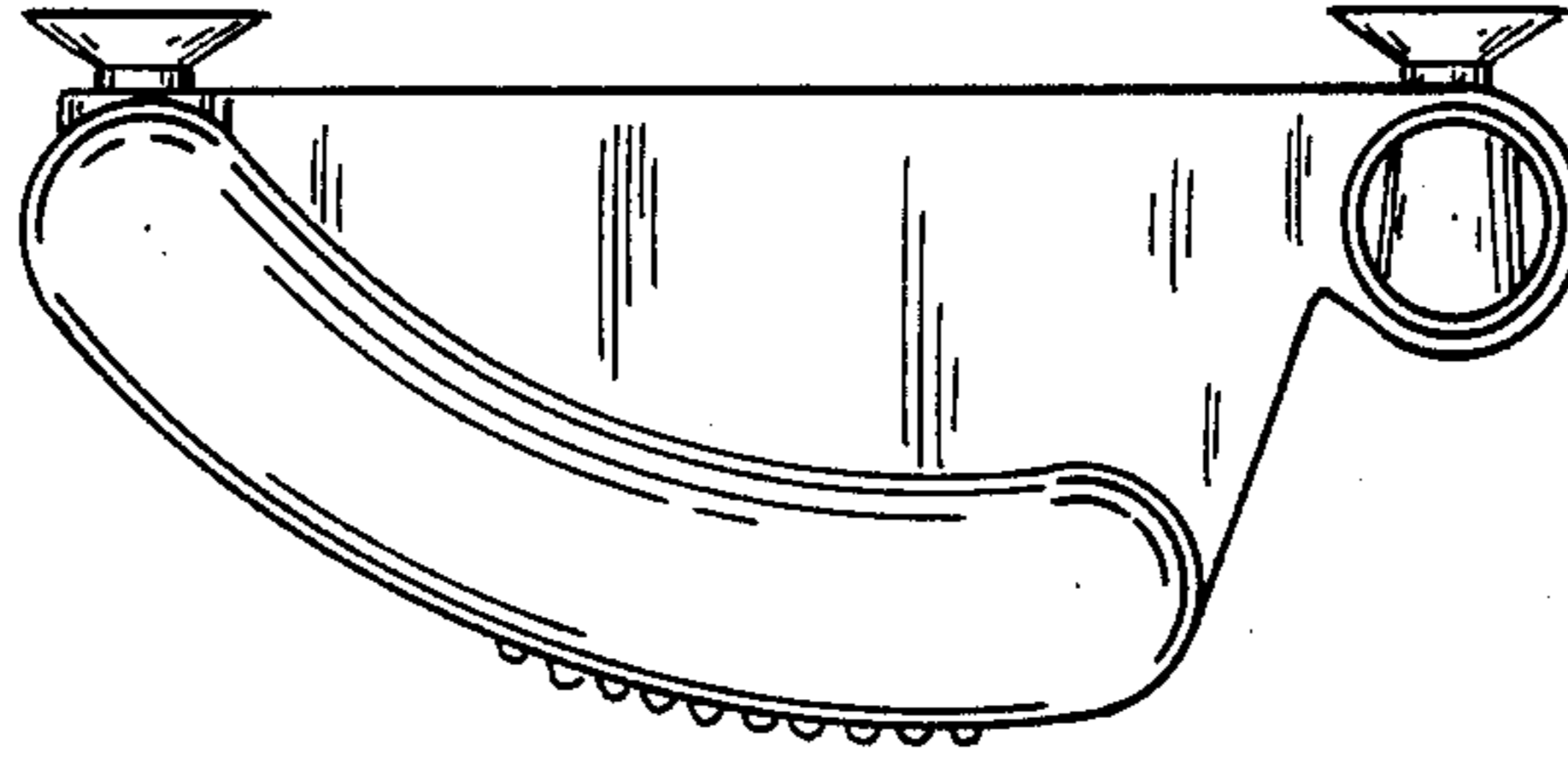


FIG. 3

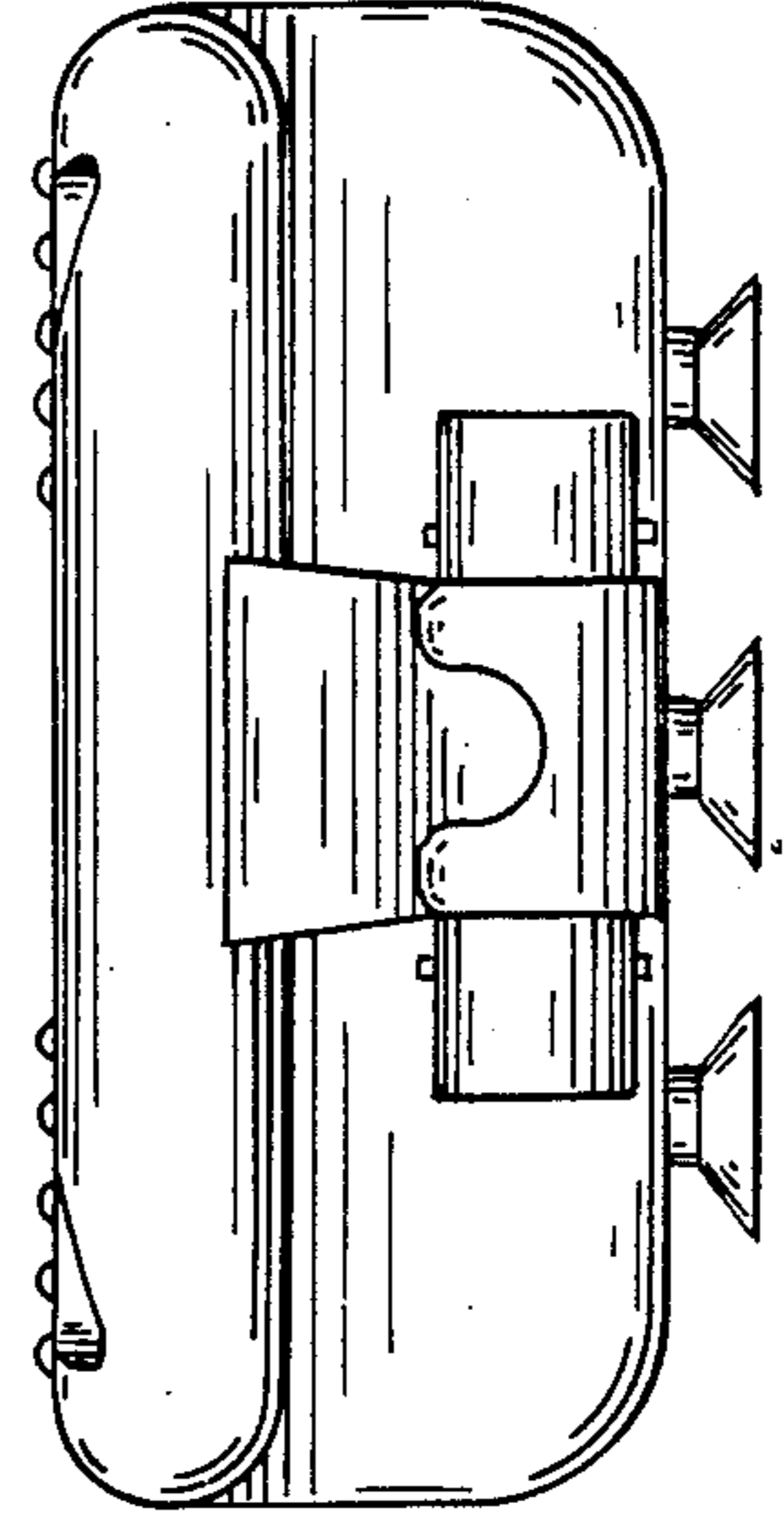


FIG. 4

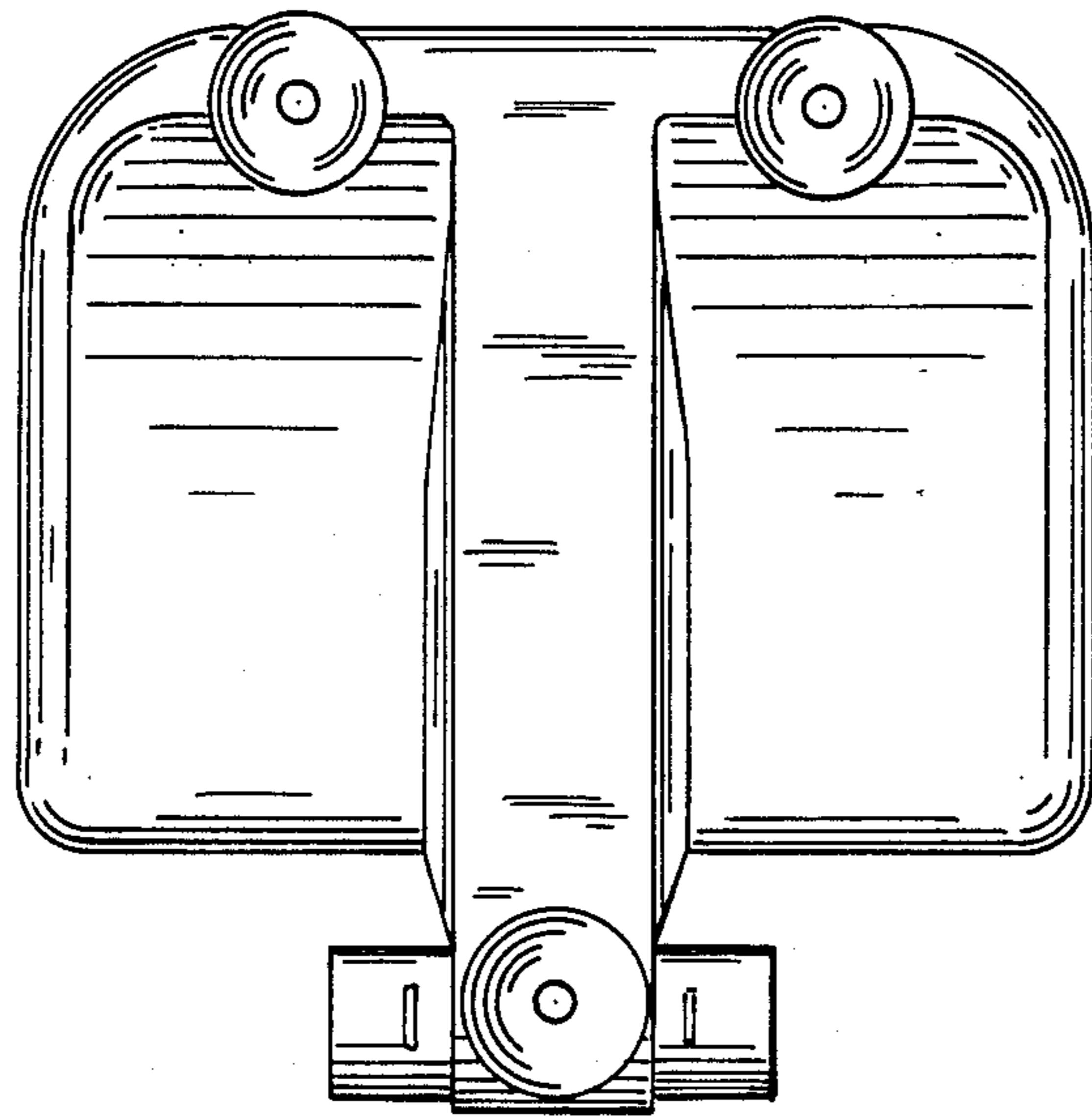


FIG. 6

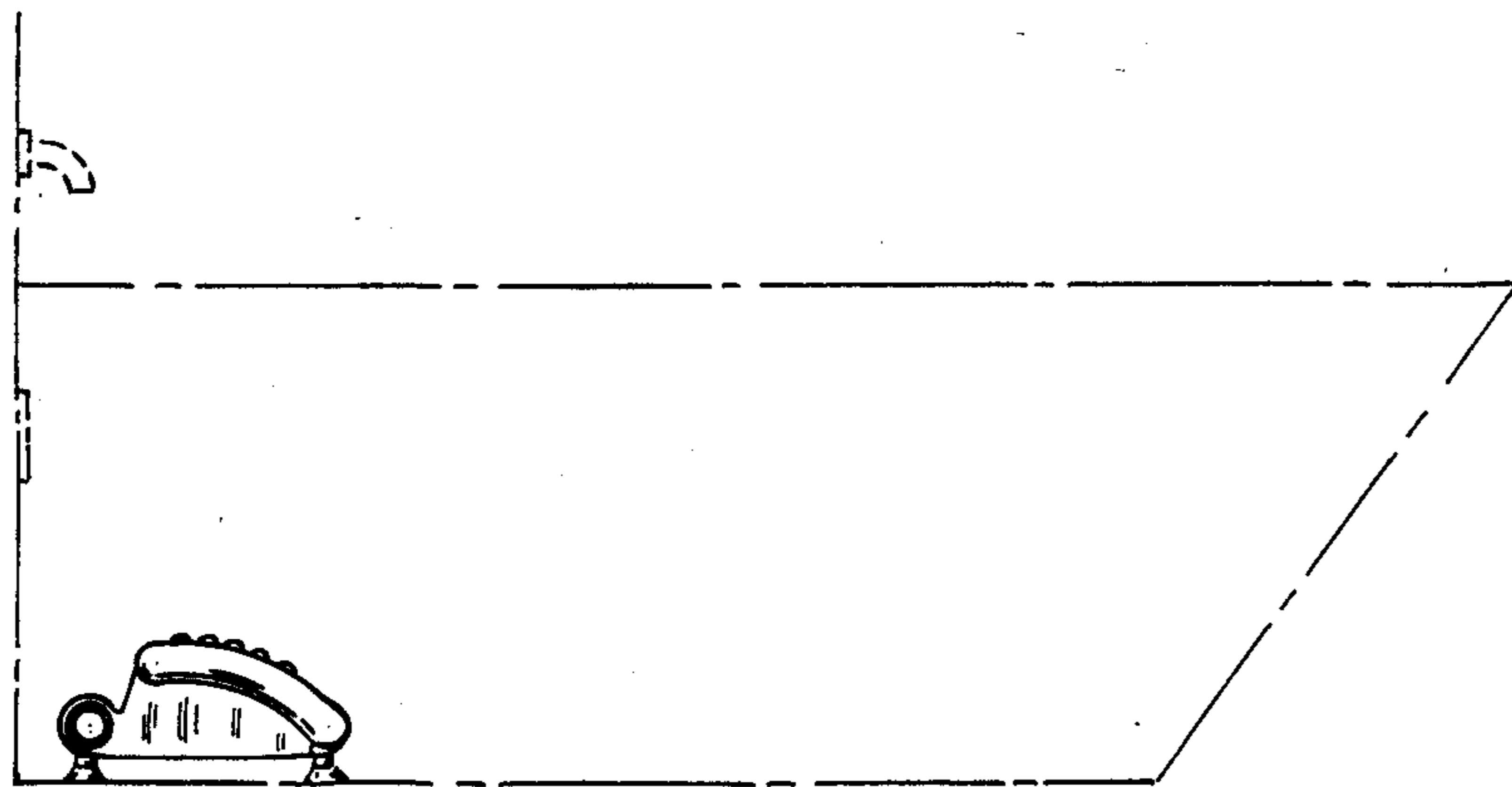


FIG. 7