

[54] AIR FRESHENER OR SIMILAR ARTICLE

[75] Inventors: Fritz von Philipp; Horst Hautmann, both of Neuburg; Georg Schimanski, Hagen, all of Fed. Rep. of Germany

[73] Assignee: Globol-Werk GmbH, Neuberg, Fed. Rep. of Germany

[**] Term: 14 Years

[21] Appl. No.: 190,213

[22] Filed: May 4, 1988

[30] Foreign Application Priority Data

Nov. 9, 1987 [DE] Fed. Rep. of Germany MR658
Mar. 11, 1988 [DE] Fed. Rep. of Germany MR673
[52] U.S. Cl. D23/366
[58] Field of Search D23/366; 422/306; 239/47, 44, 60

[56] References Cited

U.S. PATENT DOCUMENTS

D. 272,646 2/1984 Tsuji et al.
D. 280,548 9/1985 Cramer D23/366
D. 293,366 12/1987 O'Neil, Jr. et al. D23/366
D. 295,675 5/1988 Demarest D23/366
4,739,928 4/1988 O'Neil 239/47

FOREIGN PATENT DOCUMENTS

1086882 2/1955 France 239/44
2044723 10/1980 United Kingdom 239/60

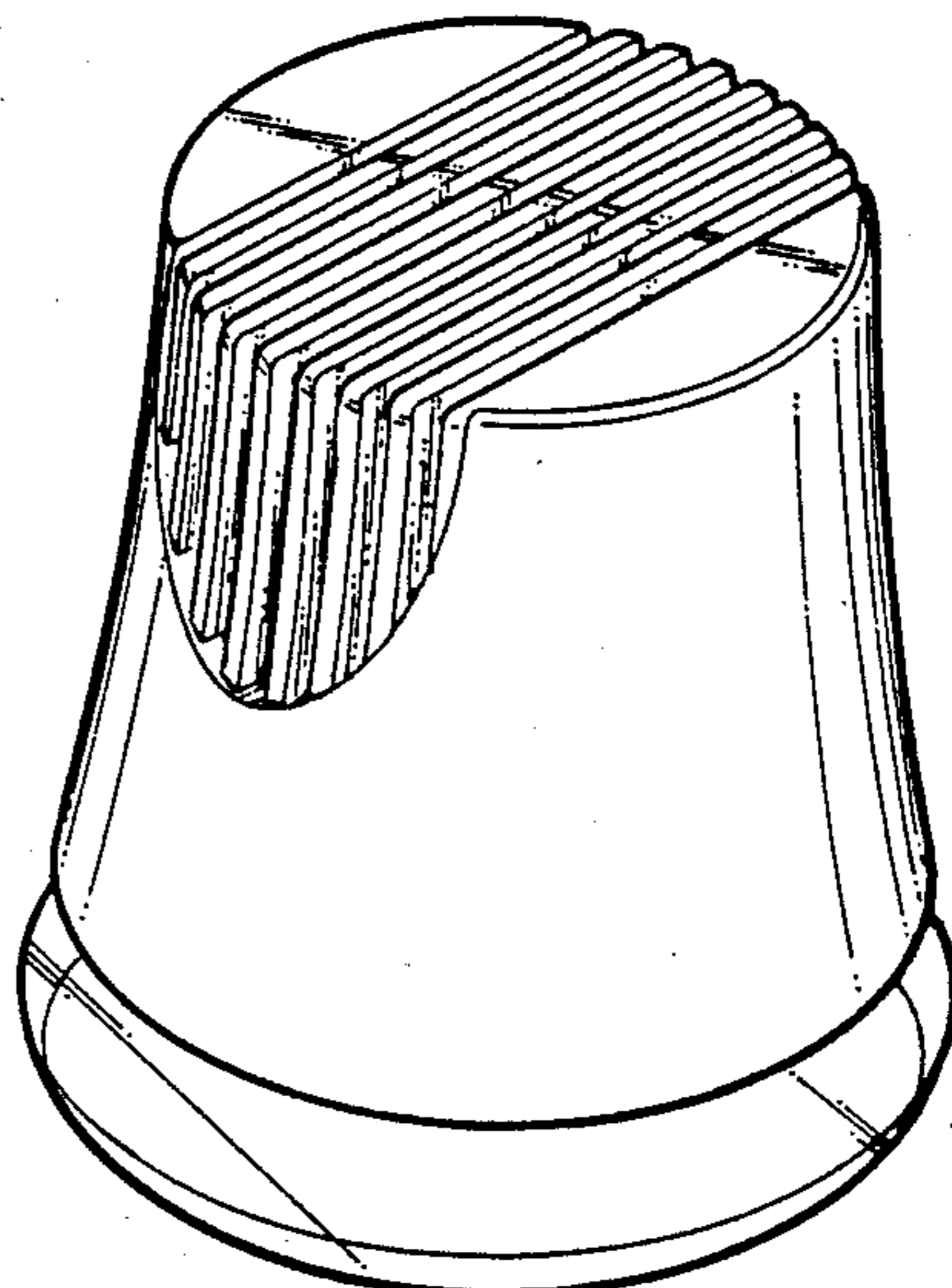
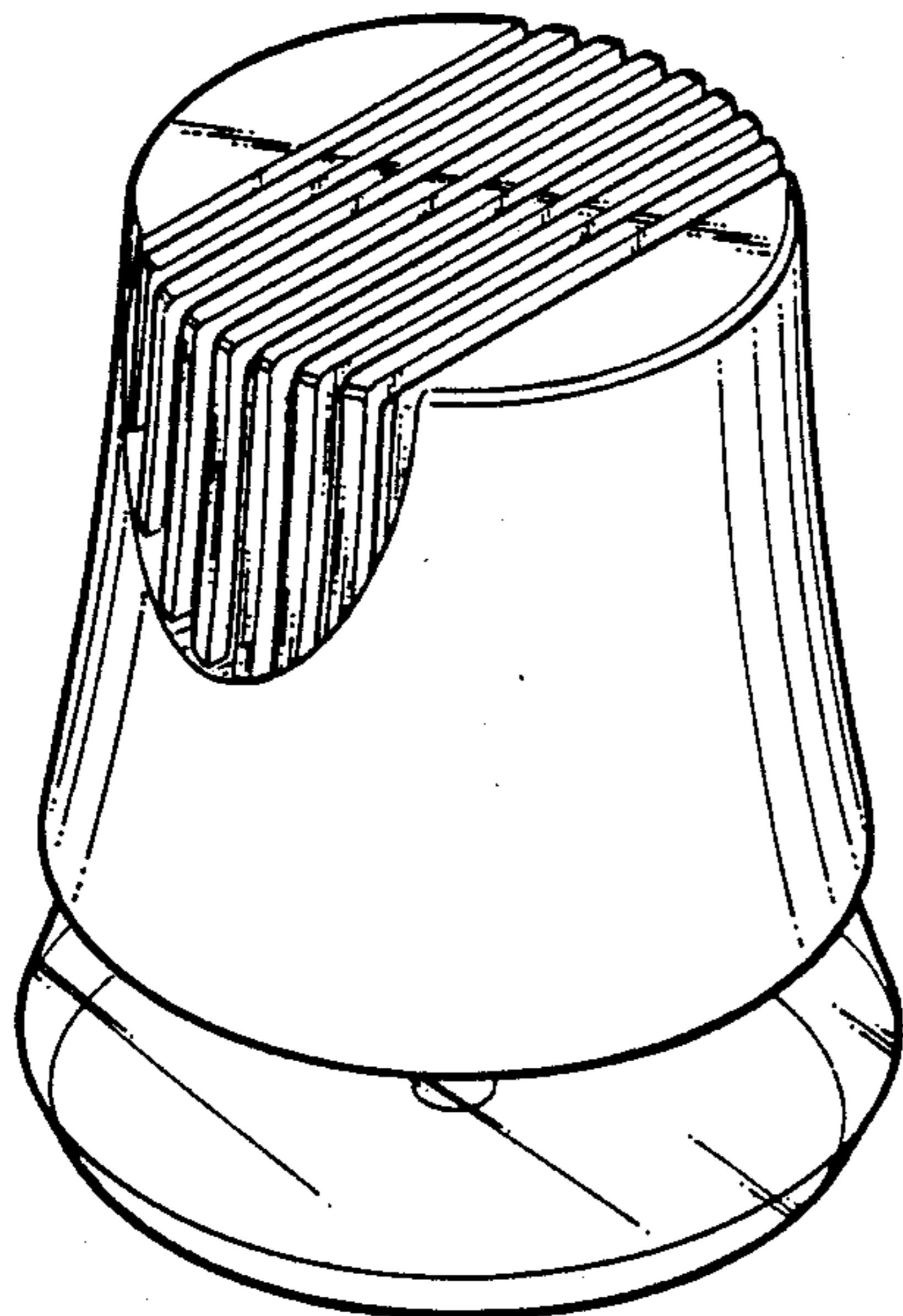
Primary Examiner—James M. Gandy
Assistant Examiner—Lisa Lichtenstein
Attorney, Agent, or Firm—Townsend & Townsend

[57] CLAIM

The ornamental design for an air freshener or similar article, as shown and described.

DESCRIPTION

FIG. 1 is a perspective view of an air freshener or similar article, showing our new design;
FIG. 2 is an exploded perspective view thereof;
FIG. 3 is a bottom plan view thereof;
FIG. 4 is a front elevation view thereof, the rear being a mirror image of that shown;
FIG. 5 is a side elevation view thereof, the opposite side being a mirror image of that shown;
FIG. 6 is a top plan view thereof;
FIG. 7 is a perspective view of an air freshener or similar article showing a second embodiment of our new design;
FIG. 8 is an exploded perspective view of FIG. 7;
FIG. 9 is a bottom plan view of FIG. 7;
FIG. 10 is a front elevation view of FIG. 7, the rear being a mirror image of that shown;
FIG. 11 is a side elevation view of FIG. 7, the opposite side being a mirror image of that shown; and
FIG. 12 is a top plan view of FIG. 7.



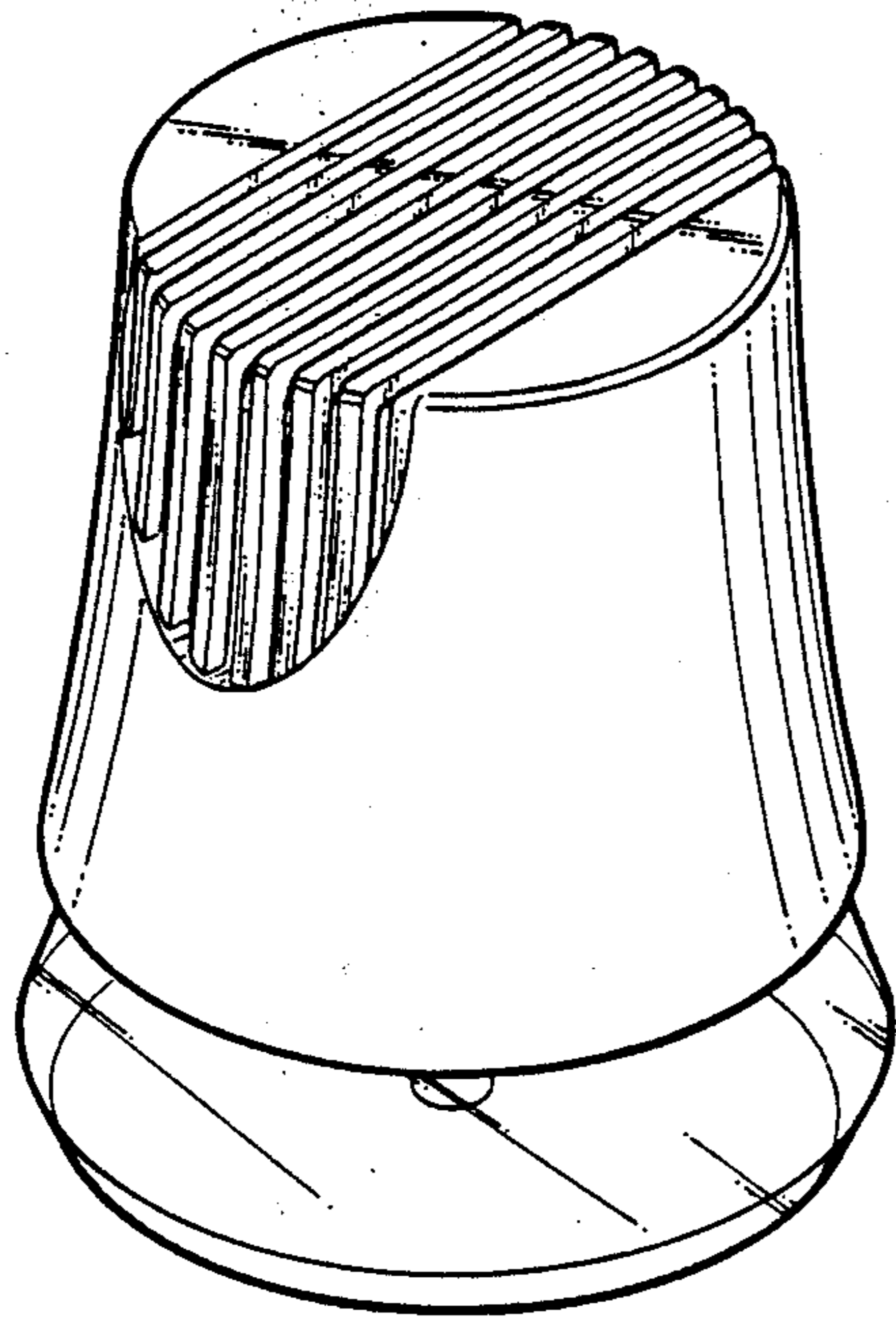


Fig. 1

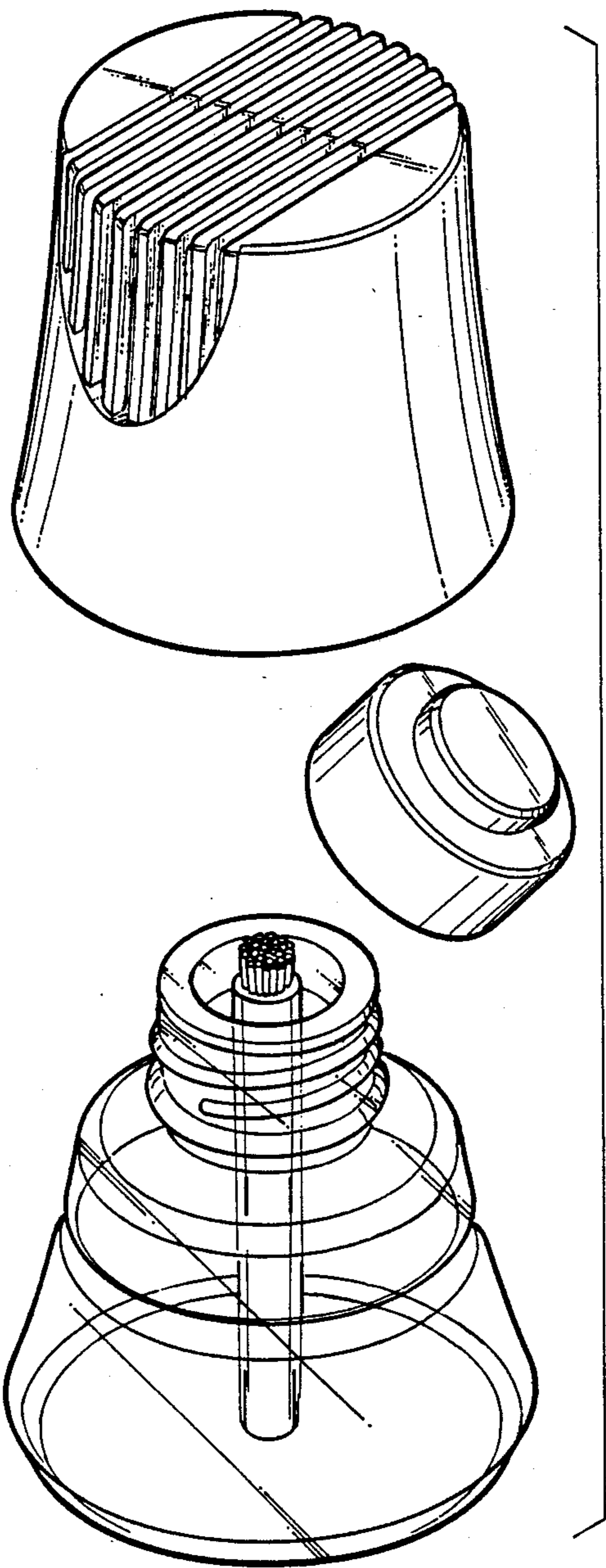


Fig. 2

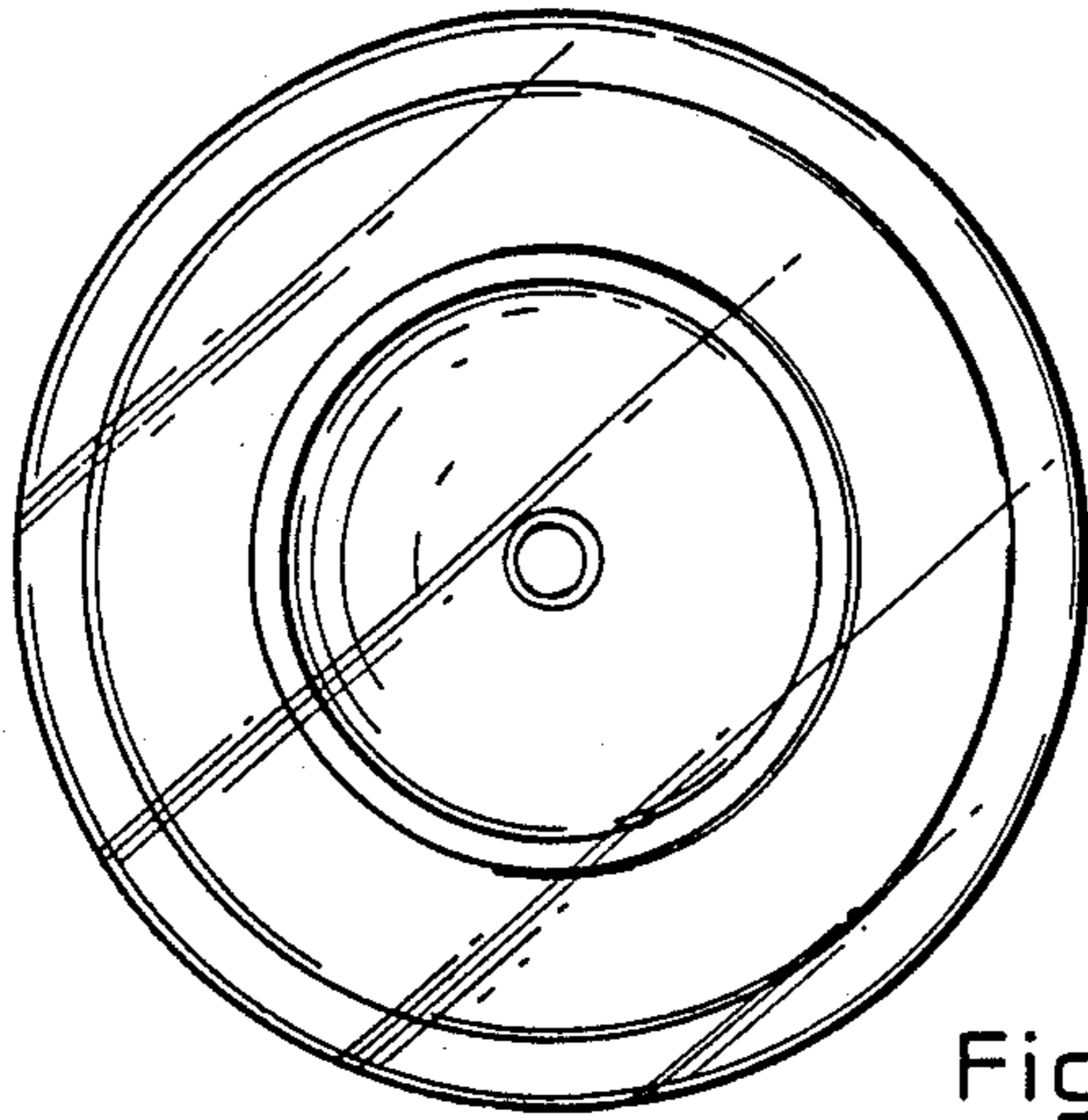


Fig. 3

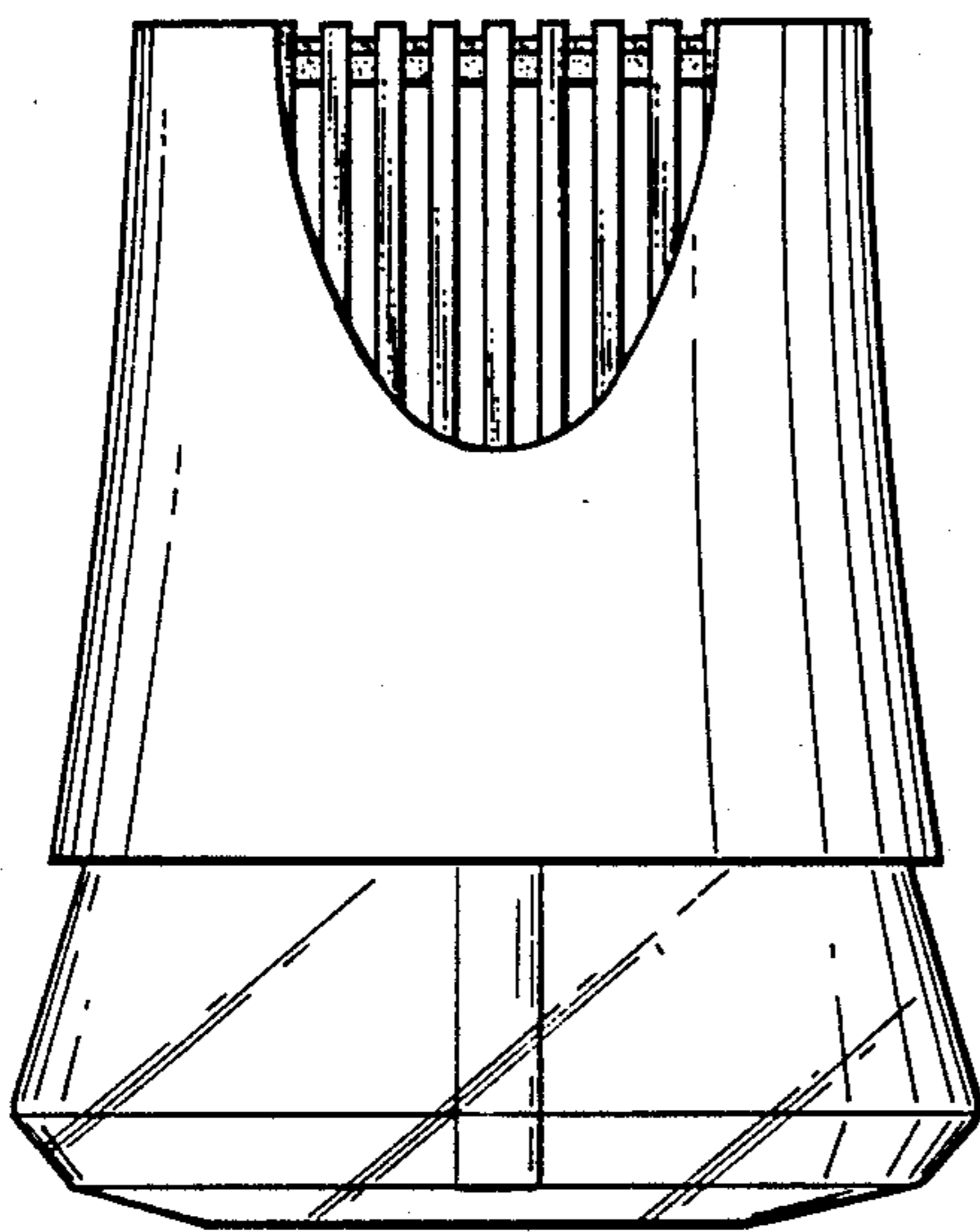


Fig. 4

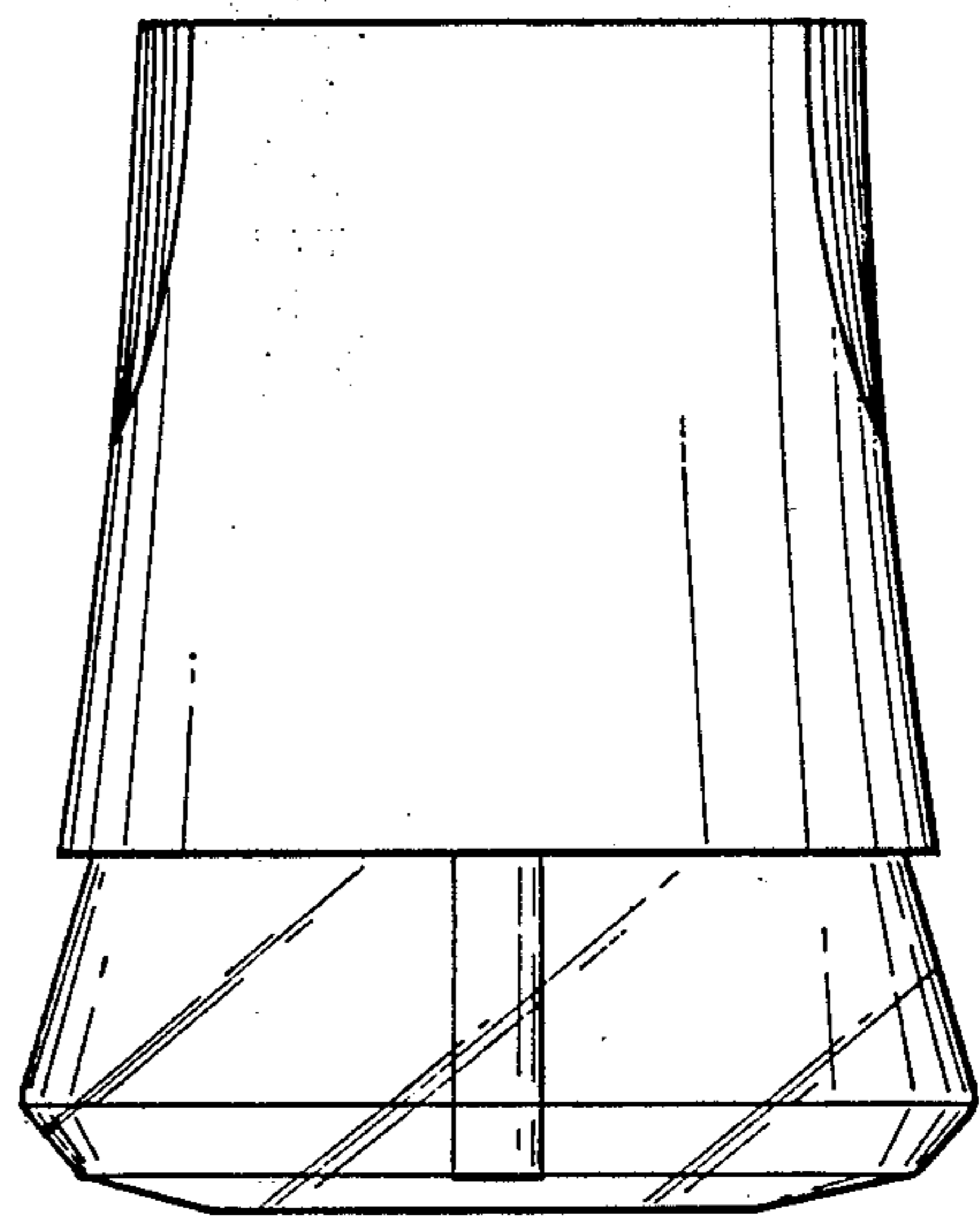


Fig. 5

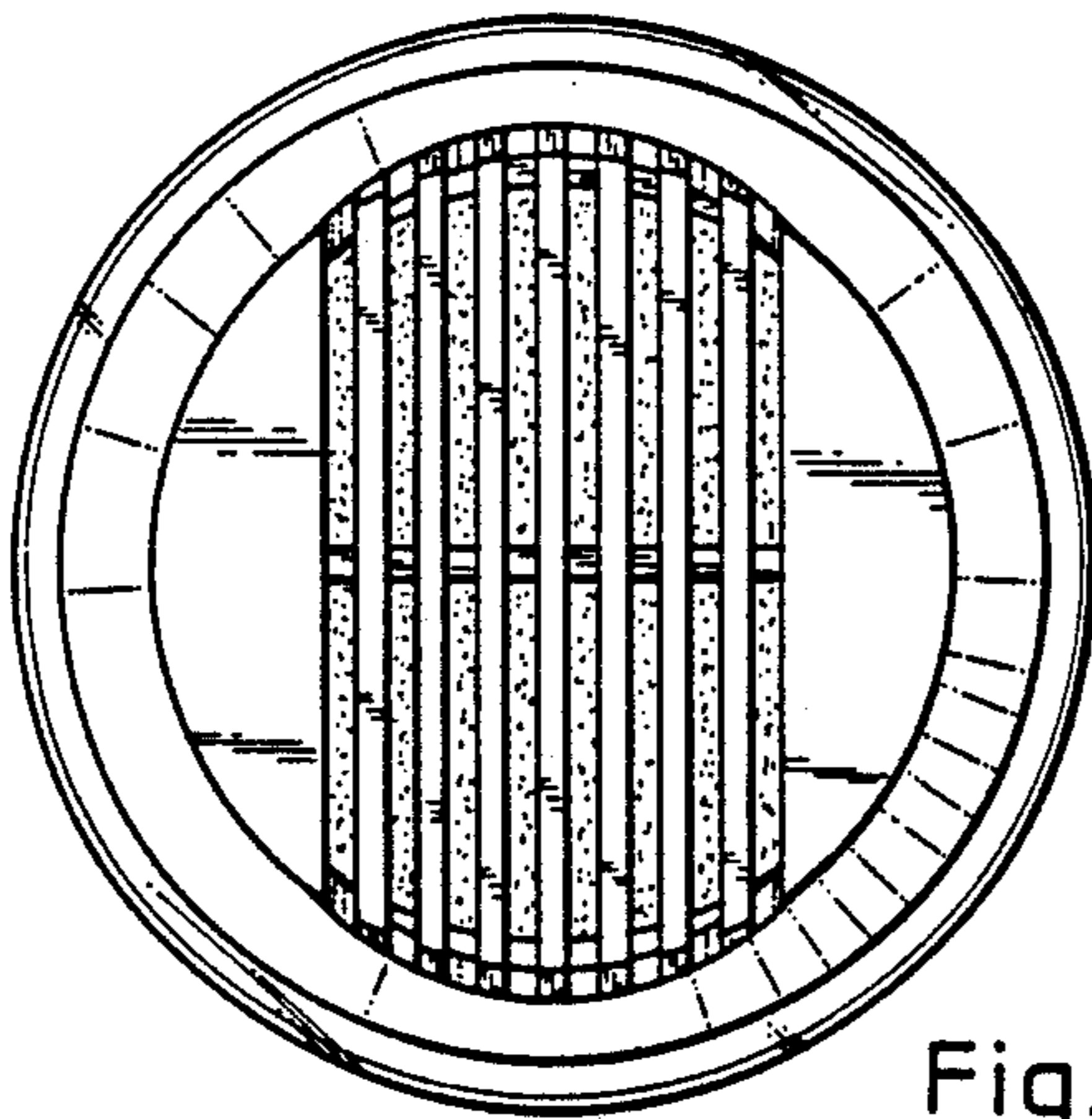


Fig. 6

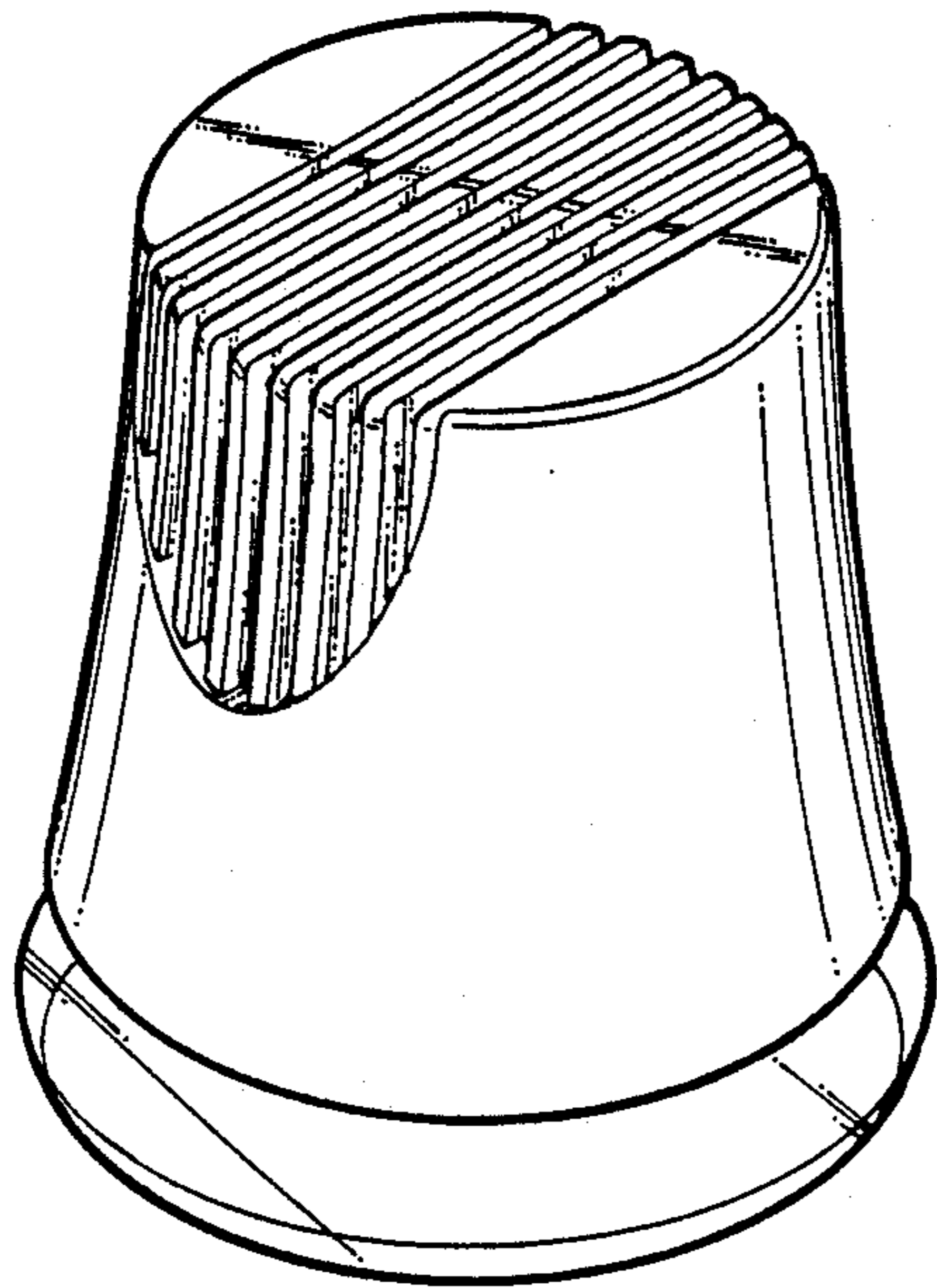


Fig. 7

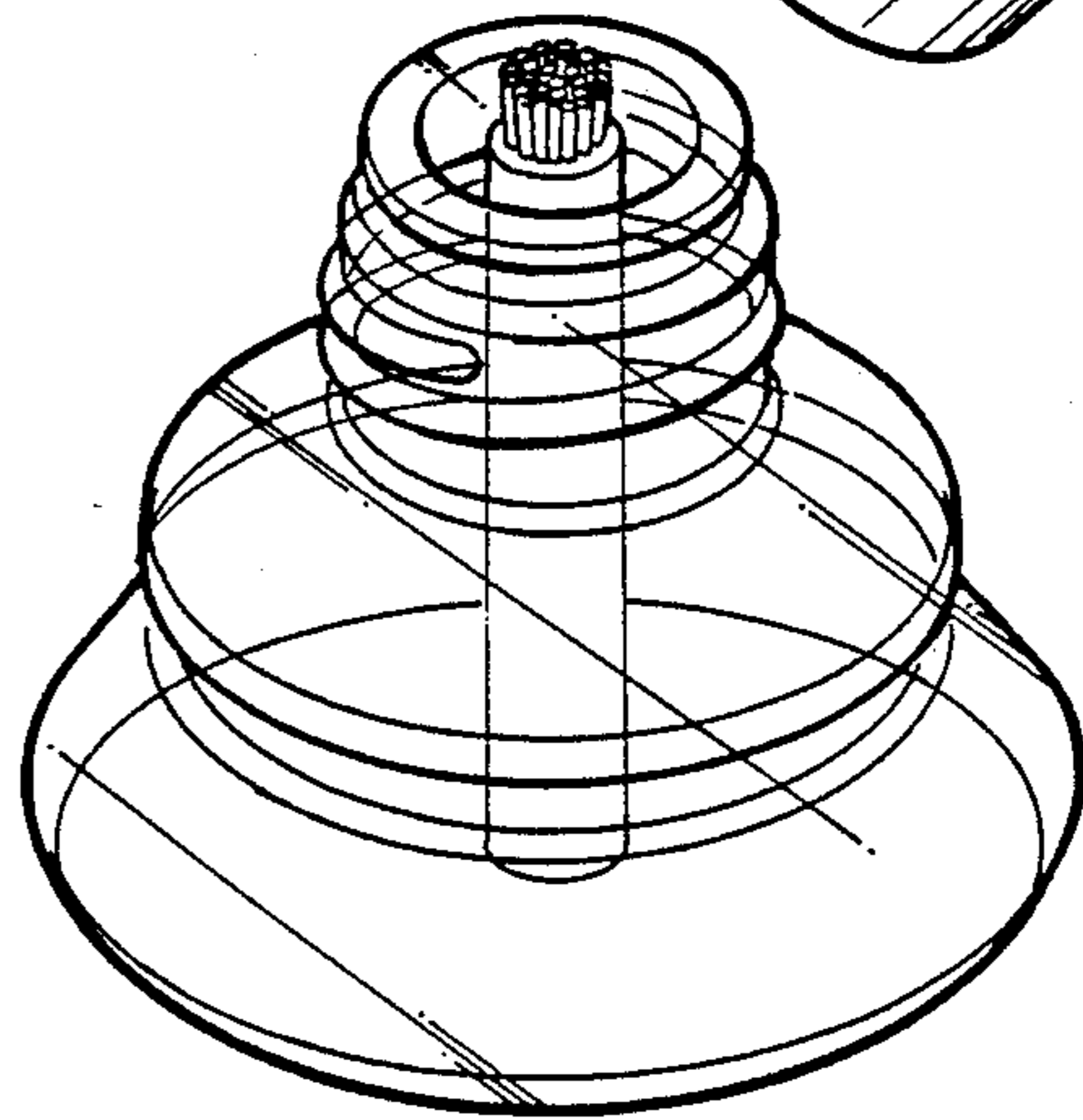
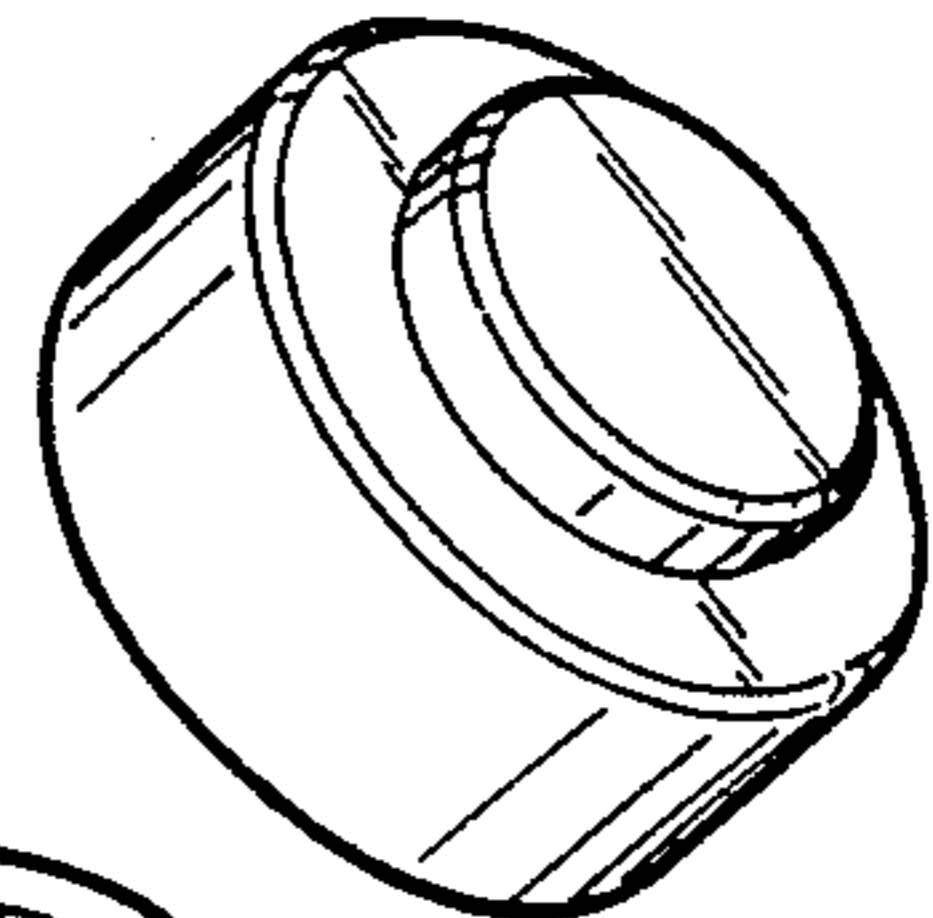
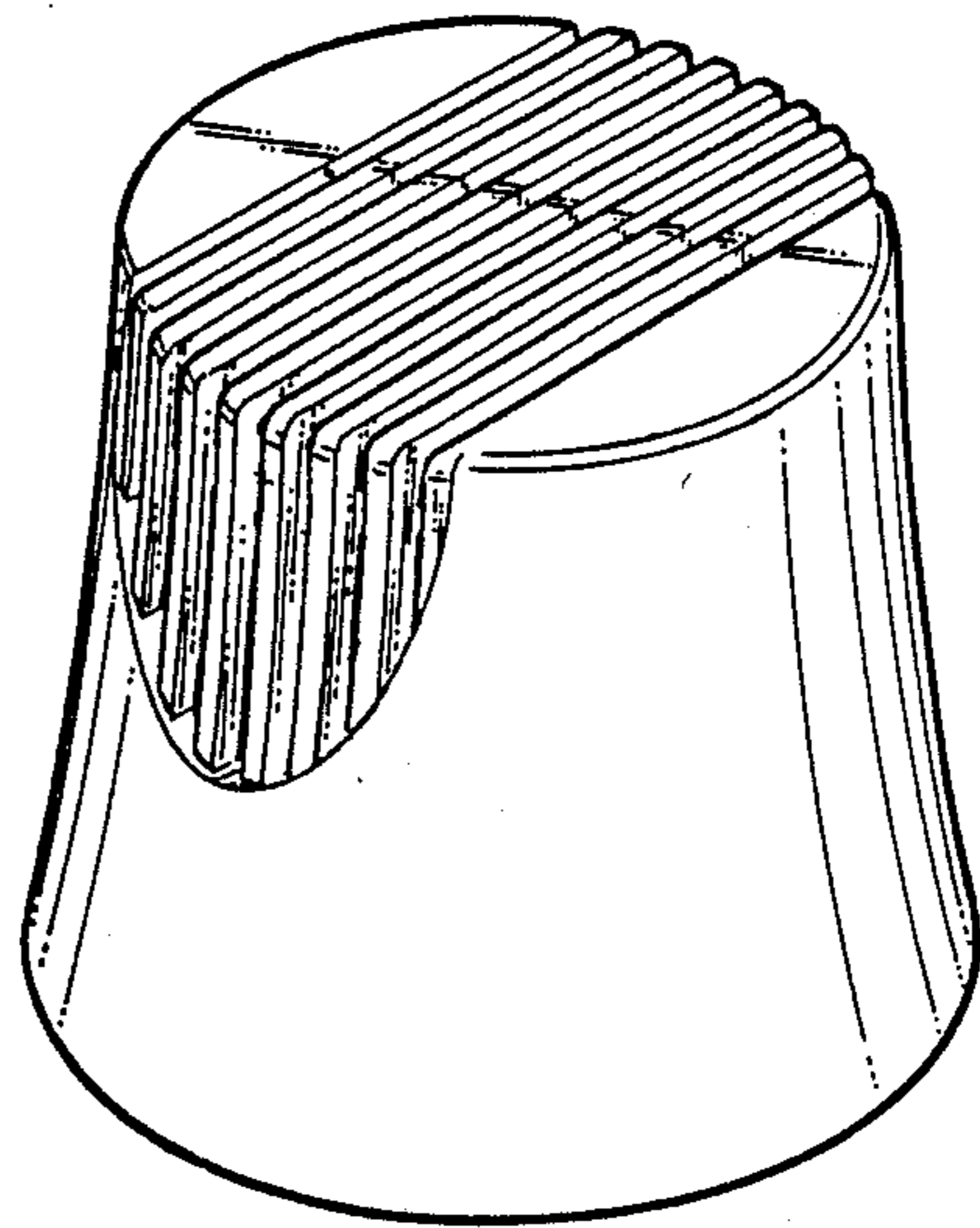


Fig. 8

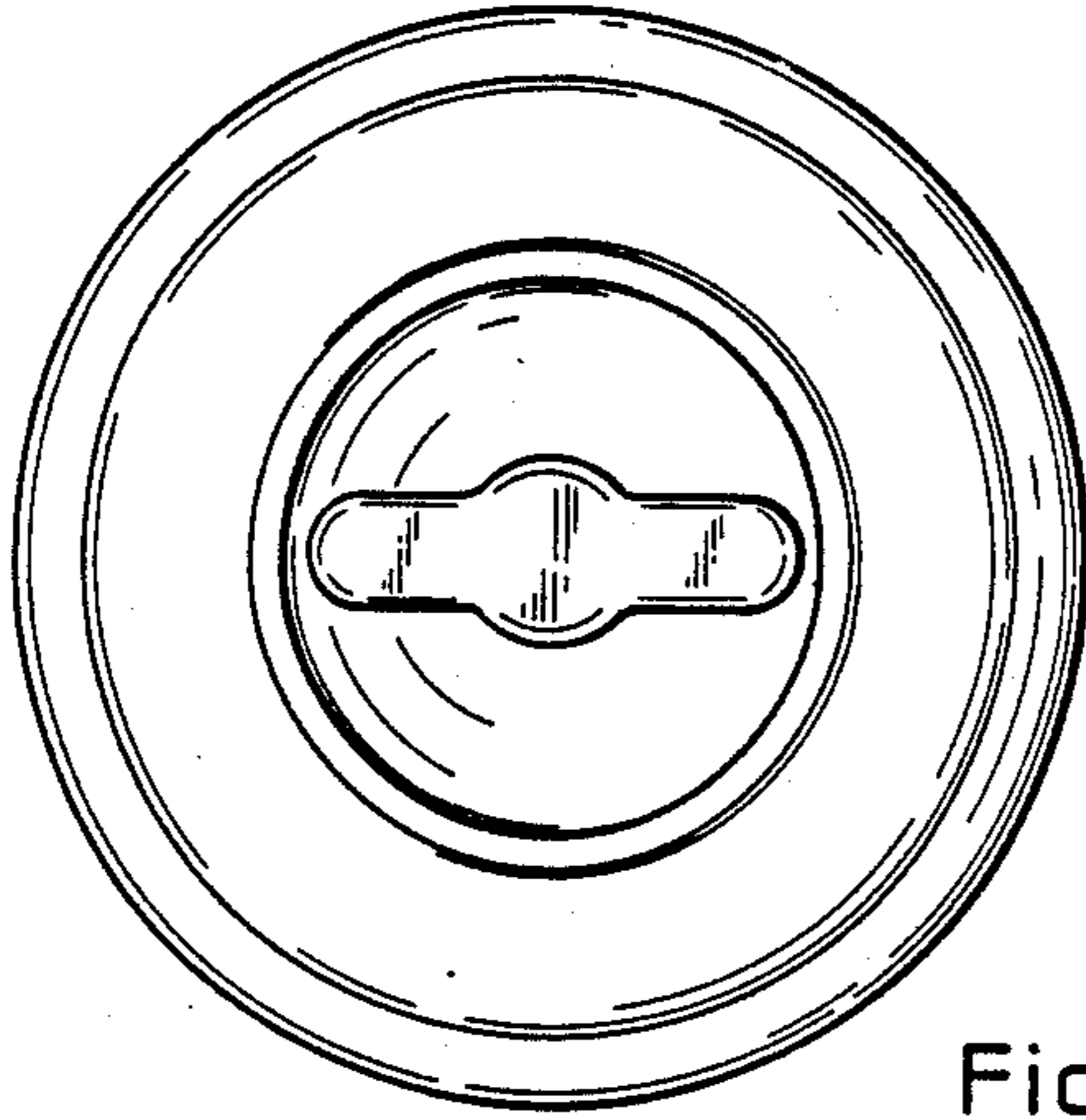


Fig. 9

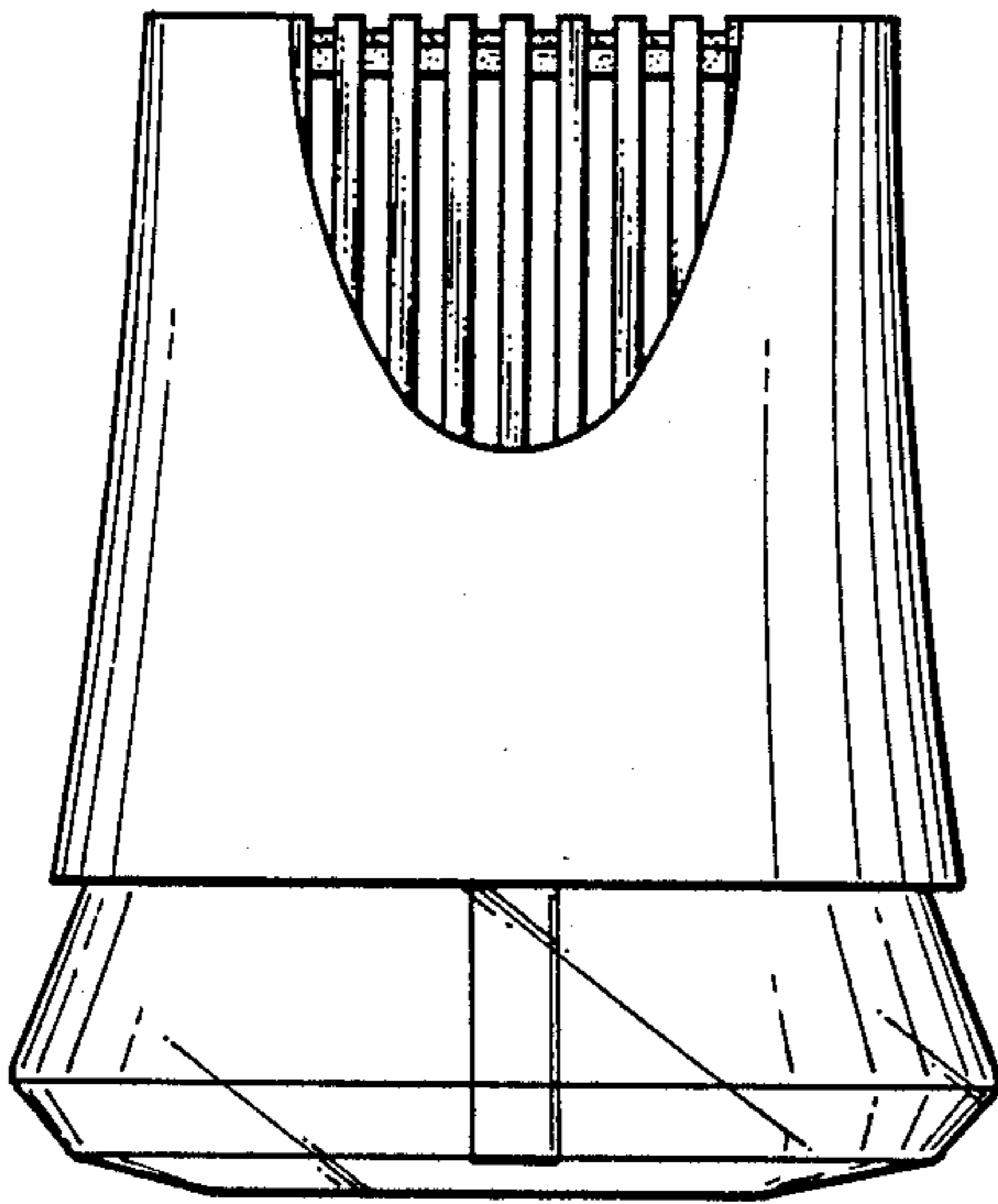


Fig. 10

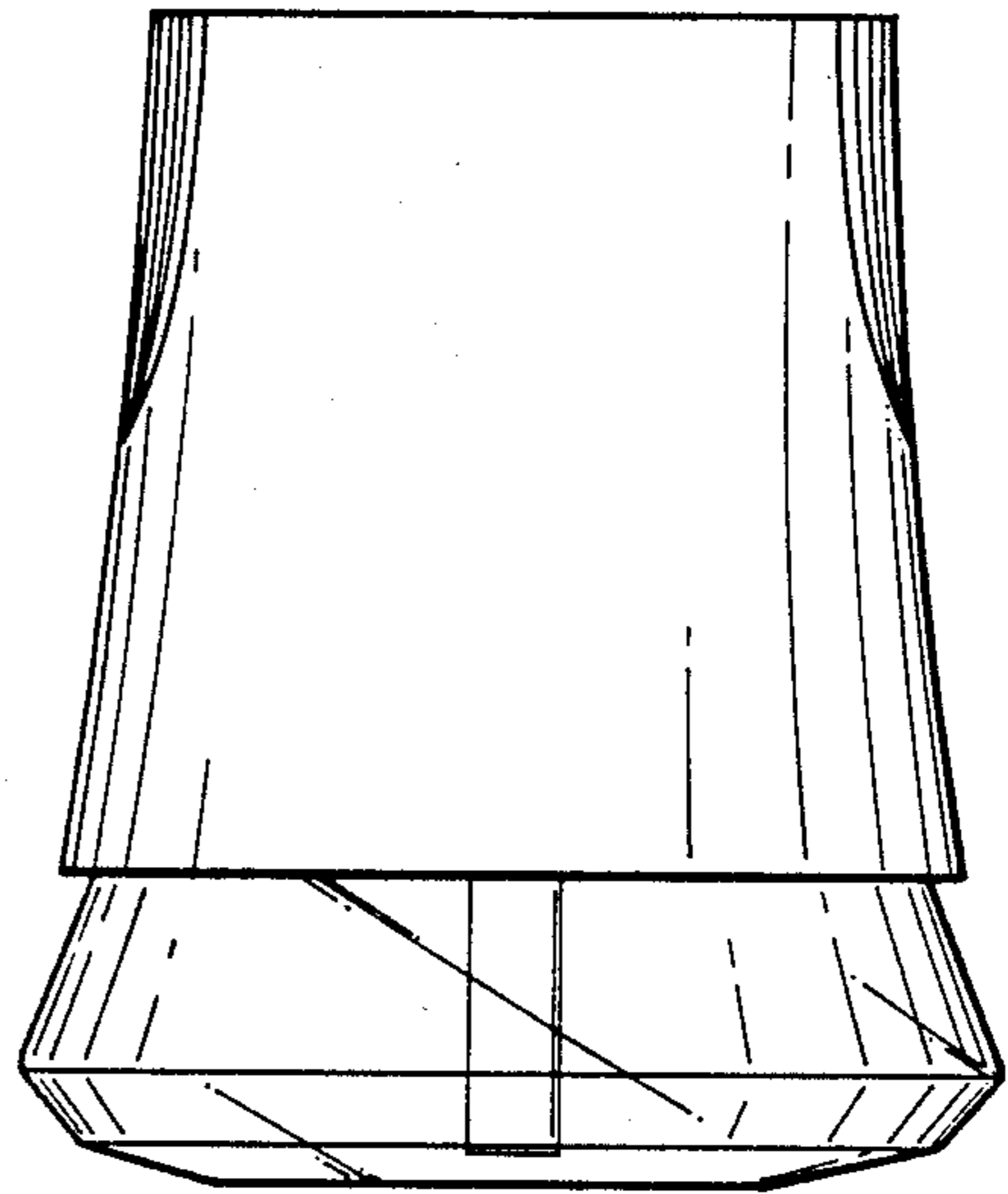


Fig. 11

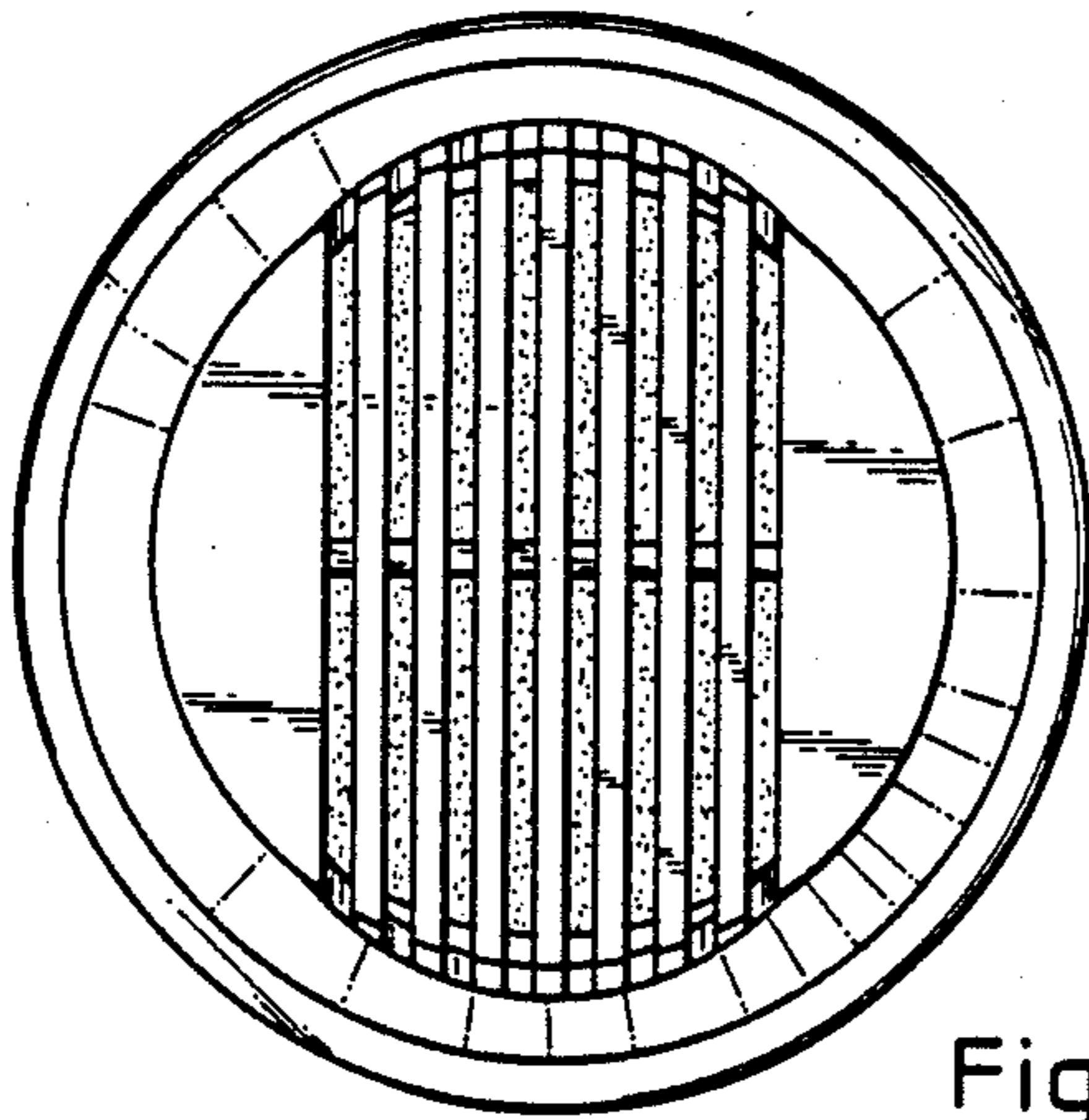


Fig. 12