

United States Patent [19]

Bowler

[11] Patent Number: **Des. 306,475**

[45] Date of Patent: **** Mar. 6, 1990**

[54] **RODENT BAIT STATION**

[75] Inventor: **Frederick H. Bowler, Crowborough, England**

[73] Assignee: **Imperial Chemical Industries PLC, London, England**

[**] Term: **14 Years**

[21] Appl. No.: **88,336**

[22] Filed: **Aug. 24, 1987**

[30] **Foreign Application Priority Data**

Feb. 24, 1987 [GB] United Kingdom 1040215

[52] U.S. Cl. **D22/119**

[58] Field of Search **D22/119, 122; 43/58, 43/107, 114, 121, 131**

[56] **References Cited**

U.S. PATENT DOCUMENTS

D. 292,305 10/1987 Willis D22/119
4,349,982 9/1982 Sherman 43/131

4,453,337 6/1984 Williams .

4,619,071 10/1986 Willis 43/131

OTHER PUBLICATIONS

Trade Leaflet of Chipman (C.I.L. Inc.), "Mouser", undated, 1 page (front & back).

Primary Examiner—A. Hugo Word

Attorney, Agent, or Firm—Cushman, Darby & Cushman

[57] **CLAIM**

The ornamental design for a rodent bait station, as shown and described.

DESCRIPTION

FIG. 1 is a perspective view of a rodent bait station from the front, right side and top, showing my new design;

FIG. 2 is a left side elevational view thereof;

FIG. 3 is a rear elevational view thereof; and

FIG. 4 is a bottom plan view thereof.

The front is a mirror image of the rear thereof. The depression shown in the top wall thereof is circular in plan view.

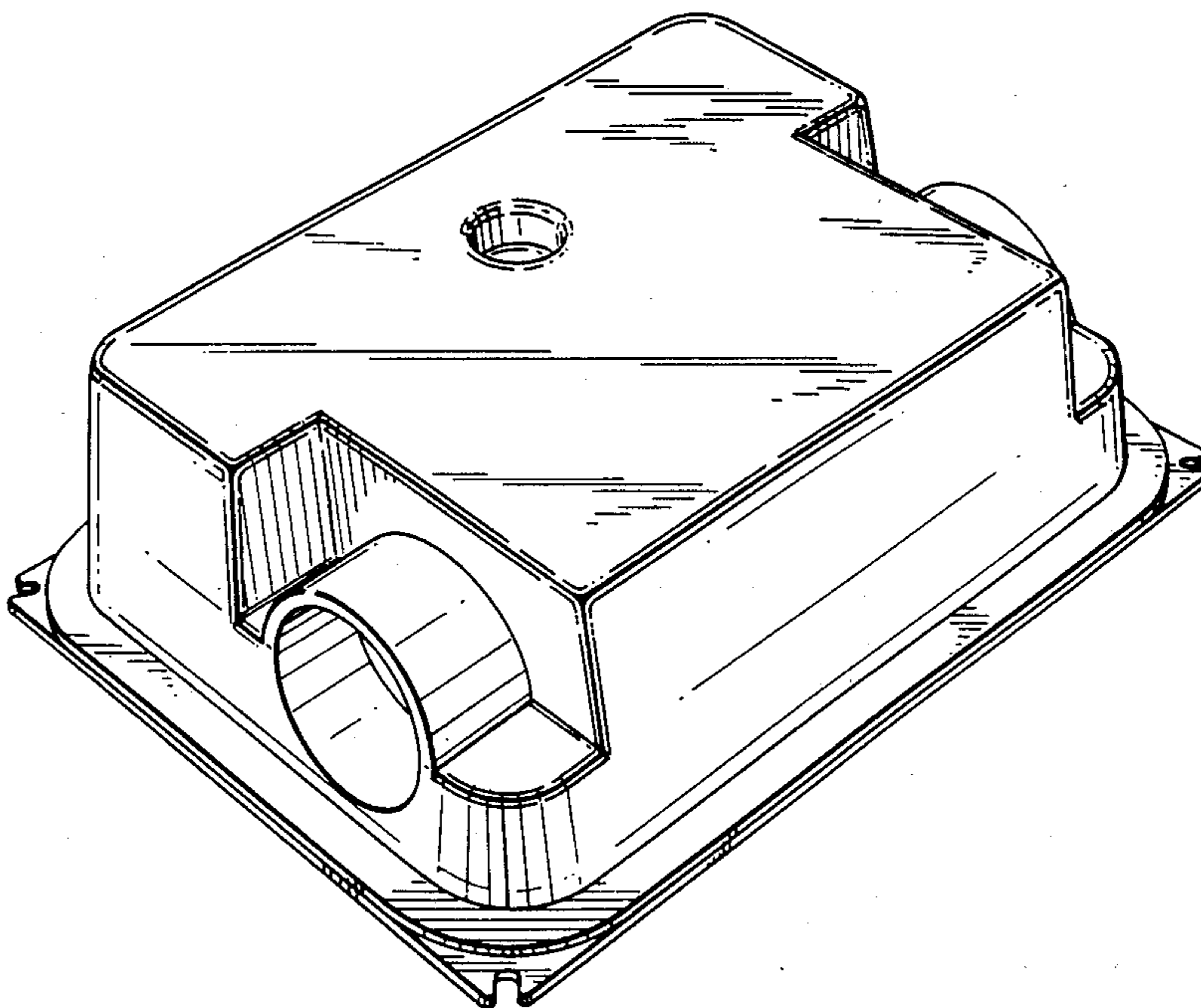


Fig. 1.

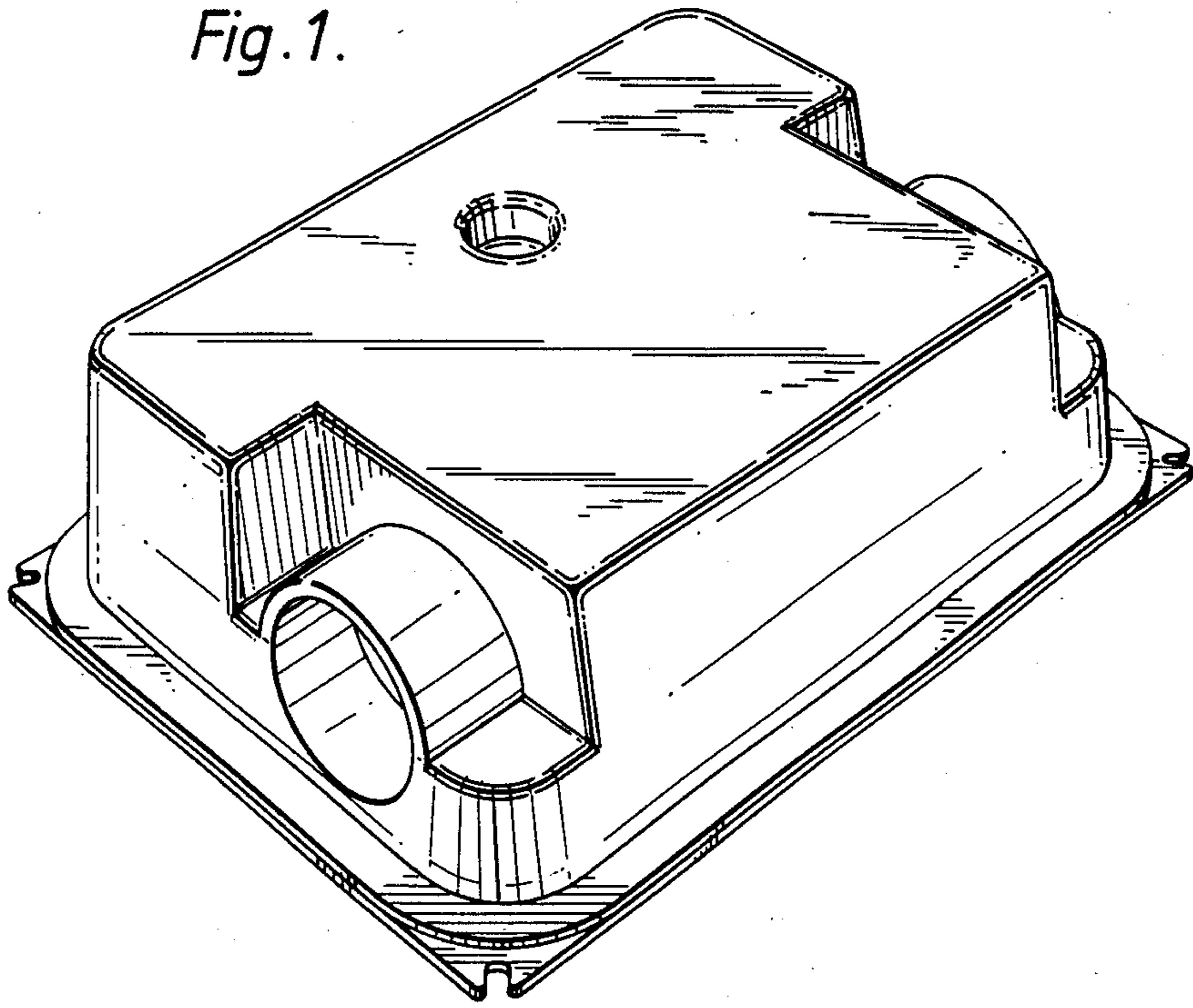


Fig. 2.

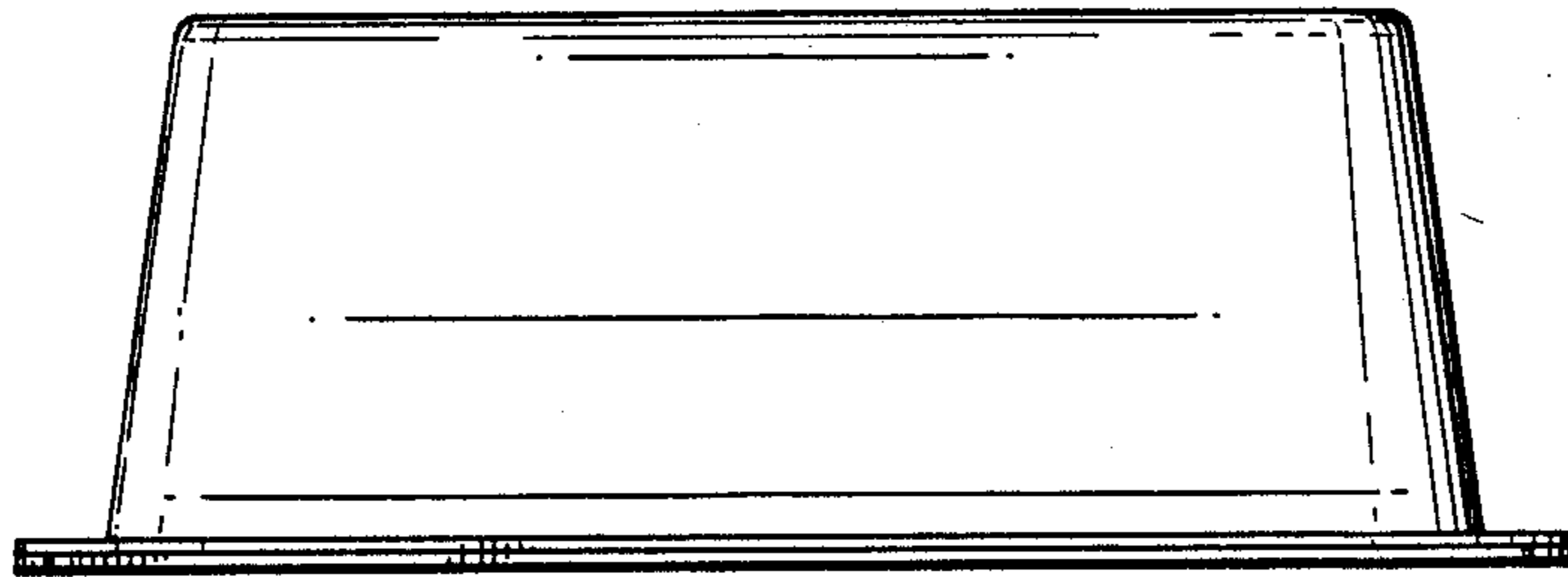


Fig. 3.

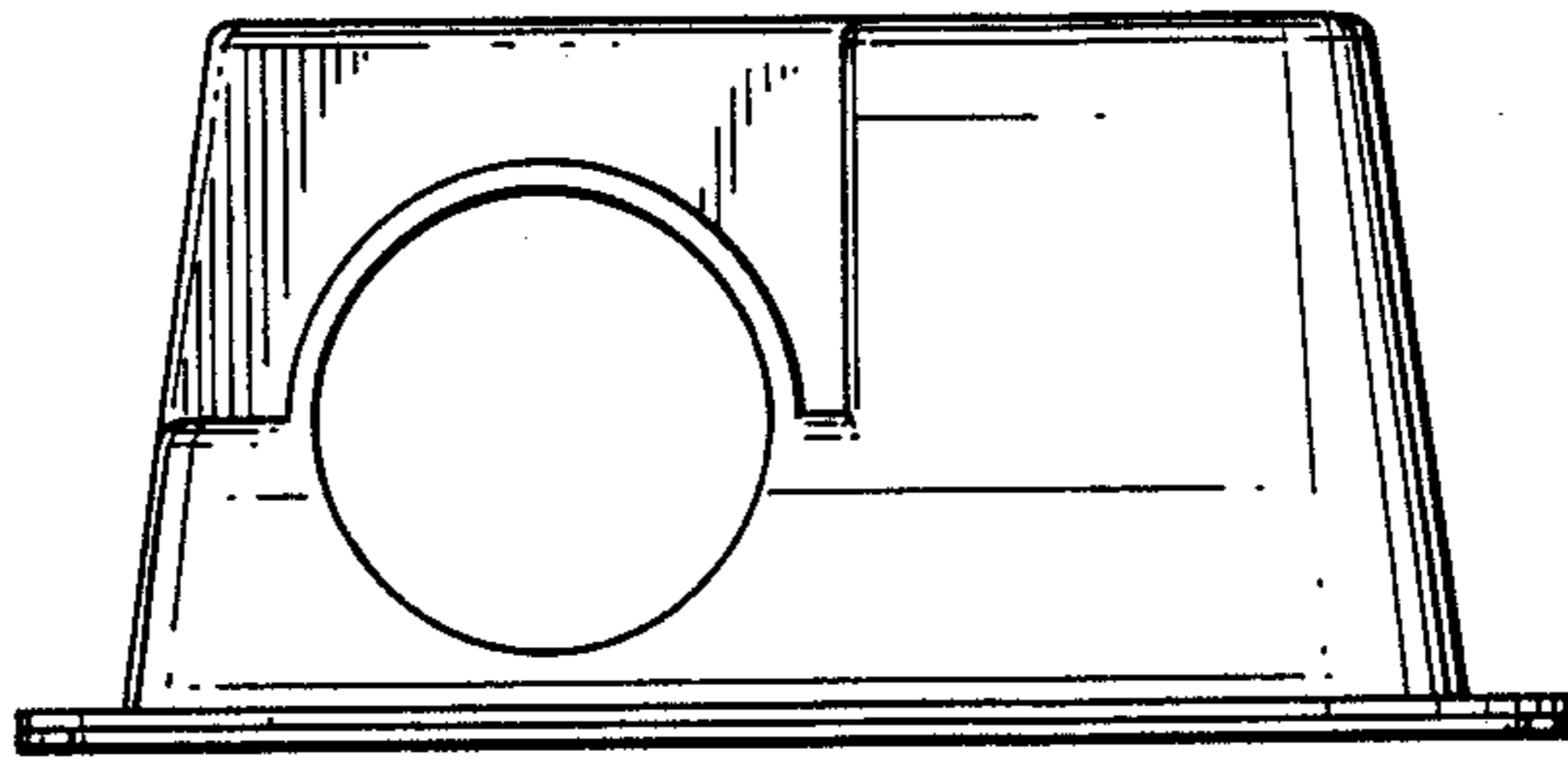


Fig. 4.

