

[54] **SWIMMING POOL FLOAT**

[76] **Inventor: Robert S. Scheurer, P.O. Box 539, Wichita Falls, Tex. 76307**

[\*\*] **Term: 14 Years**

[21] **Appl. No.: 142,394**

[22] **Filed: Jan. 11, 1988**

[52] **U.S. Cl. .... D21/237; D6/382**

[58] **Field of Search ..... D21/236, 237; D6/596, D6/601, 604, 382; 441/129-132, 88, 40, 41**

[56] **References Cited**

**U.S. PATENT DOCUMENTS**

- D. 203,251 12/1965 Barber ..... D6/601
- D. 209,118 10/1967 Grube ..... D6/596
- D. 260,217 8/1981 Rhoe ..... D6/596

4,138,753 2/1979 Wood ..... 441/129

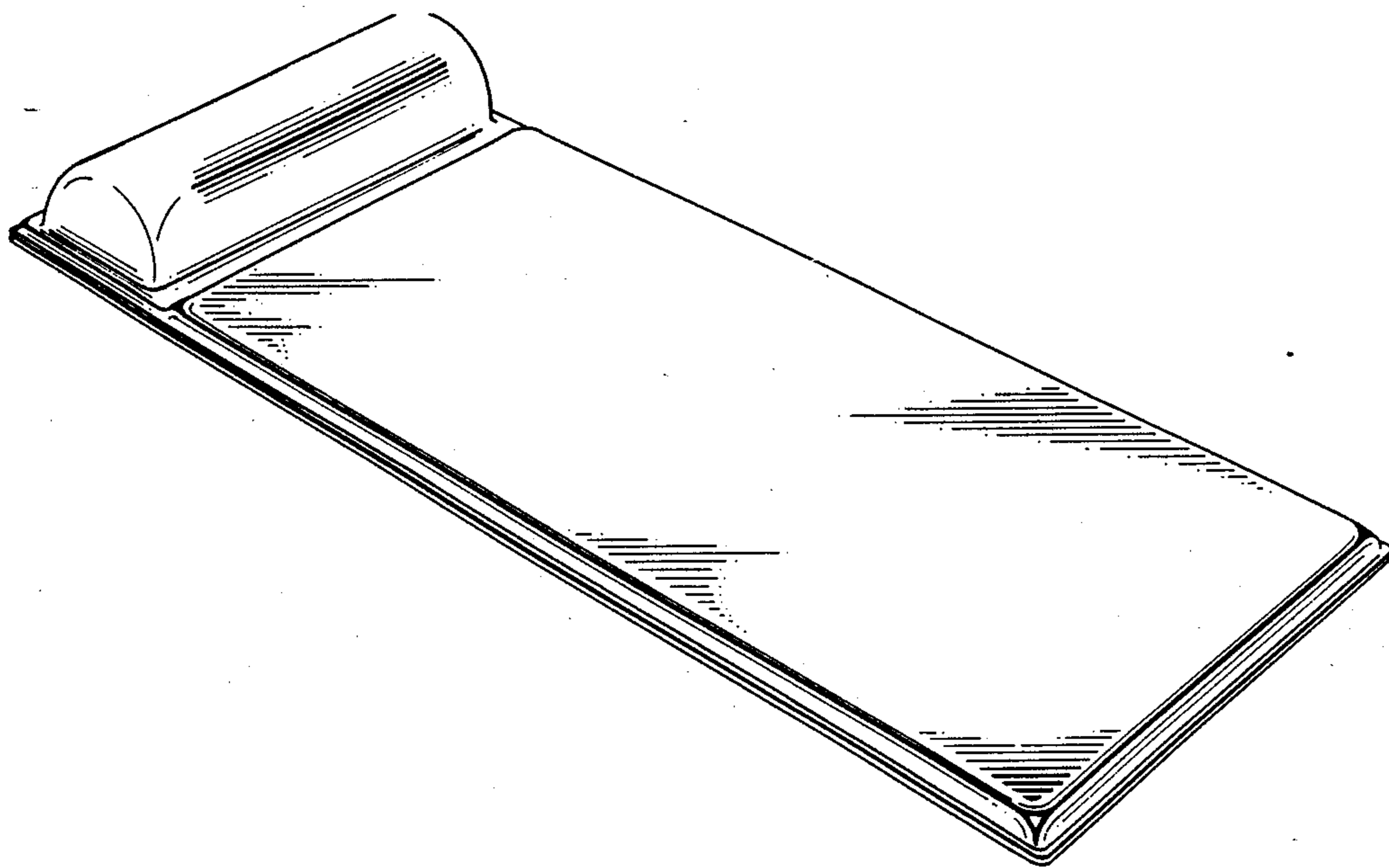
*Primary Examiner*—Wallace R. Burke  
*Assistant Examiner*—Kay H. Chin  
*Attorney, Agent, or Firm*—Dennis T. Griggs

[57] **CLAIM**

The ornamental design for a swimming pool float, as shown and described.

**DESCRIPTION**

FIG. 1 is a perspective view of a swimming pool float showing my new design;  
FIG. 2 is a left side elevational view thereof;  
FIG. 3 is a front elevational view thereof;  
FIG. 4 is a rear elevational view thereof;  
FIG. 5 is a top plan view thereof; and,  
FIG. 6 is a bottom plan view thereof.



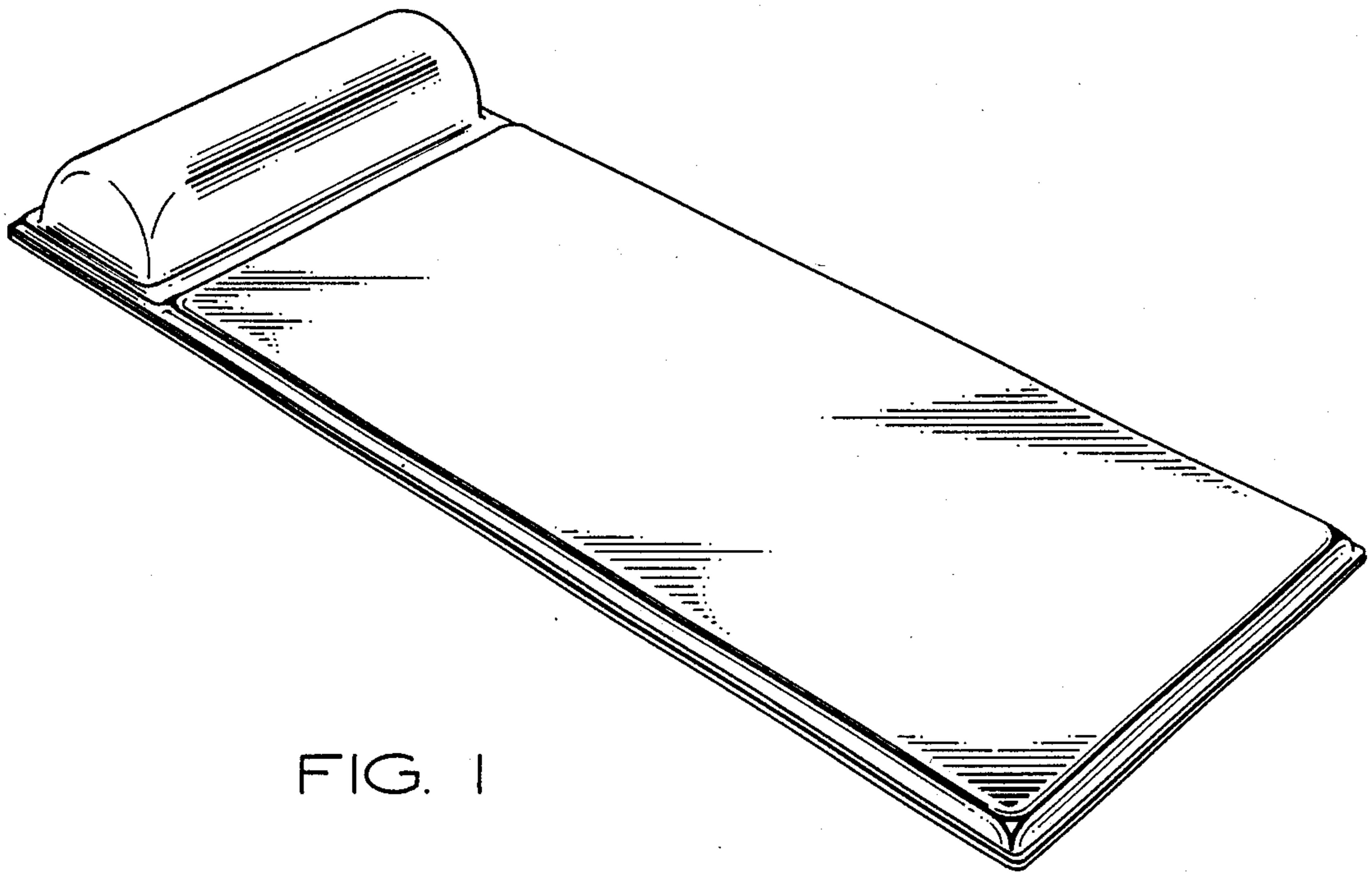


FIG. 1

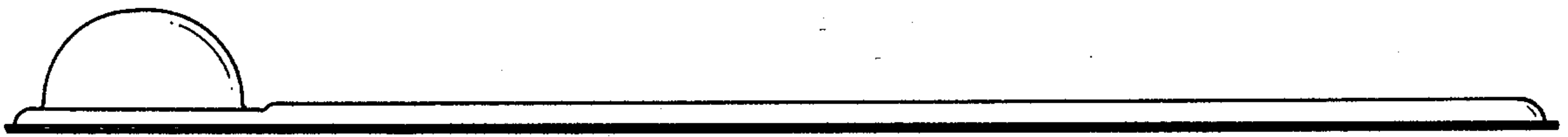


FIG. 2

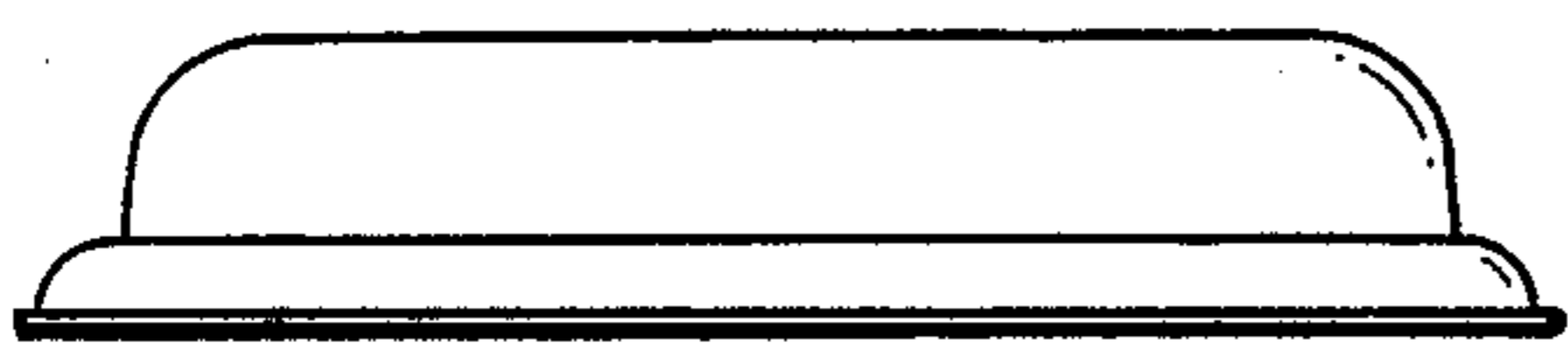


FIG. 3

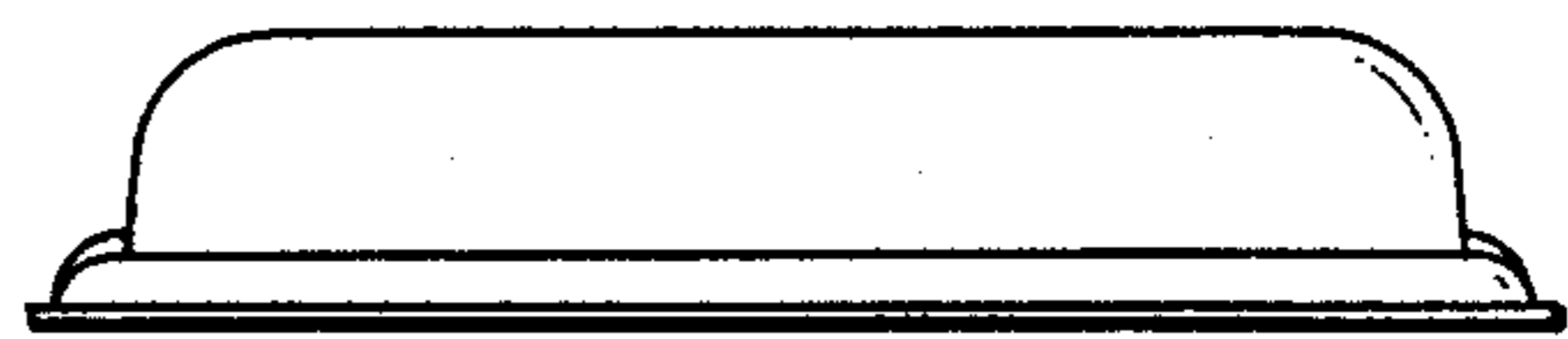


FIG. 4

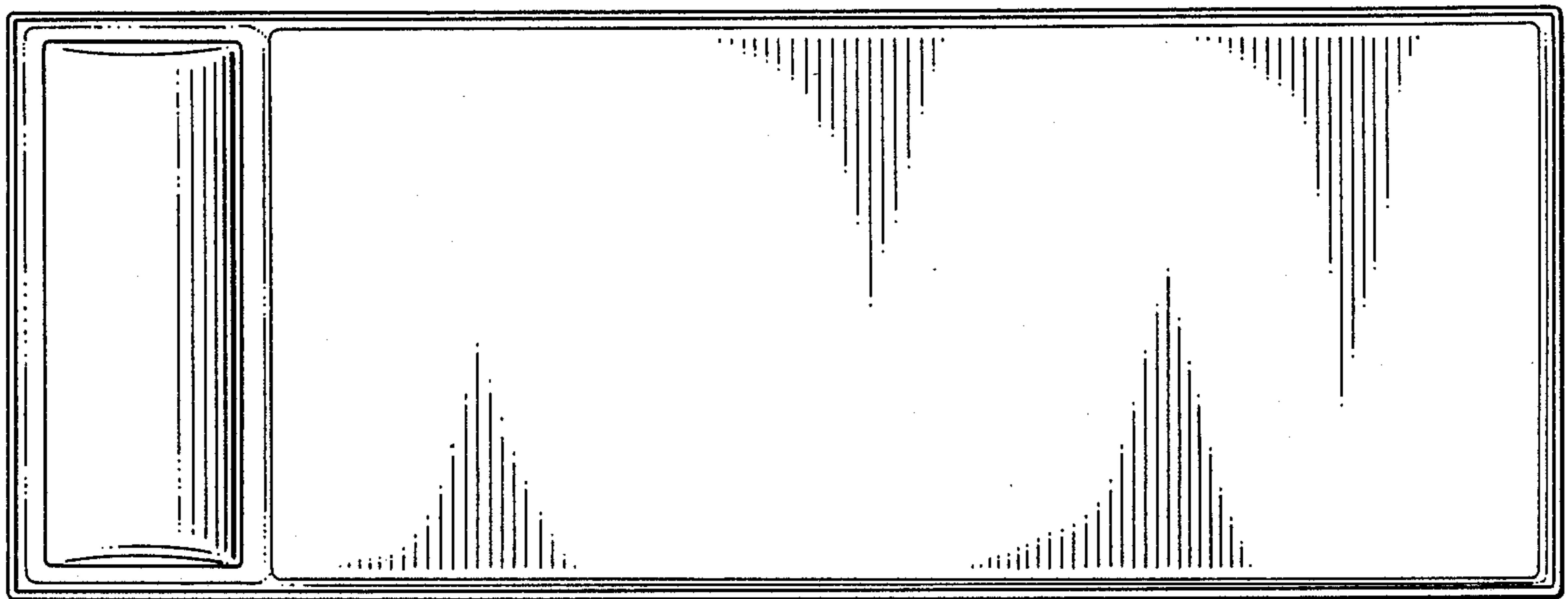


FIG. 5

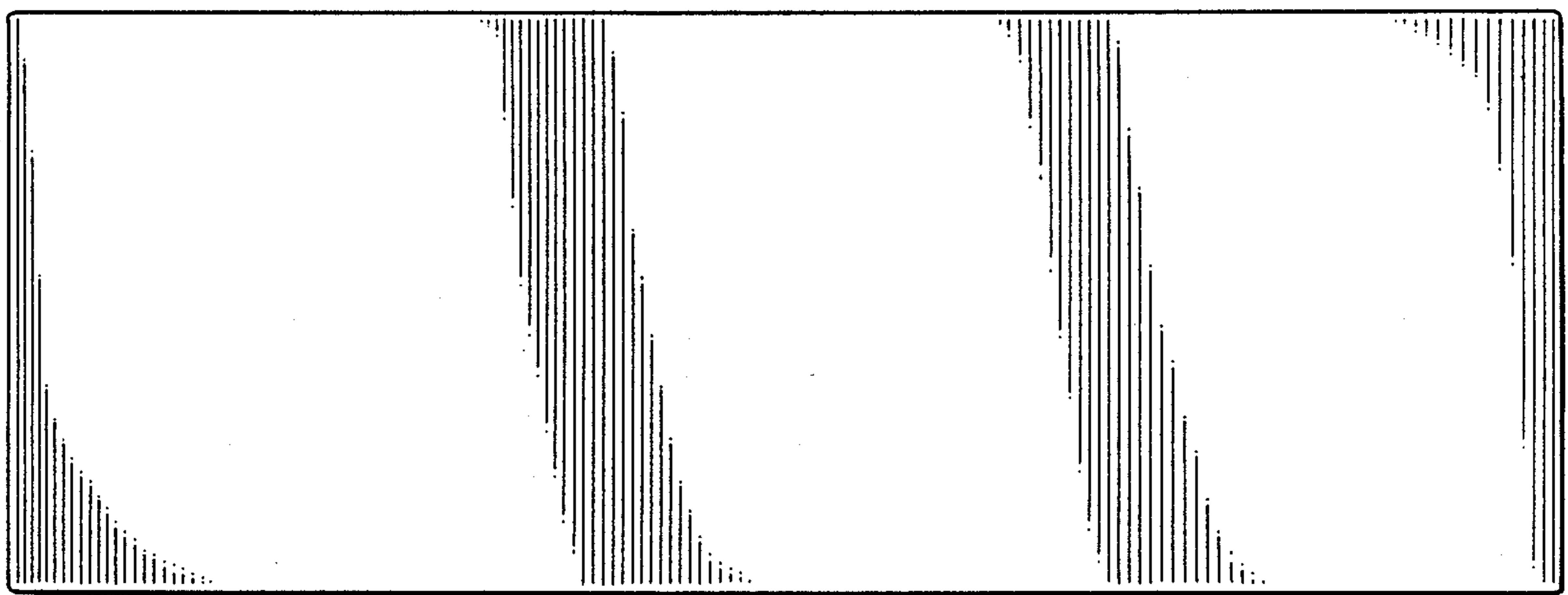


FIG. 6