

# United States Patent [19]

Watterson

[11] Patent Number: Des. 306,468

[45] Date of Patent: \*\* Mar. 6, 1990

[54] TREADMILL EXERCISER

4,643,418 2/1987 Bart ..... 272/69

[75] Inventor: Scott R. Watterson, River Heights, Utah

[73] Assignee: Weslo, Inc., Logan, Utah

[\*\*] Term: 14 Years

[21] Appl. No.: 944,538

[22] Filed: Dec. 22, 1986

[52] U.S. Cl. .... D21/192

[58] Field of Search ..... D21/192, 193-199, D21/191; 272/69, DIG. 6; 119/29

[56] References Cited

## U.S. PATENT DOCUMENTS

D. 211,801	7/1968	Quinton	.....	D21/192
D. 270,555	9/1983	Ogden	.	
D. 280,002	8/1985	Smith	.	
D. 283,239	4/1986	Smith et al.	.....	D21/192
D. 299,258	1/1989	Lorenzo	.....	D21/192
3,703,284	11/1972	Hesen	.....	272/69
4,502,679	3/1985	De Lorenzo	.	
4,614,337	9/1986	Schönensberger	.....	272/69

## OTHER PUBLICATIONS

Official Gazette, Dated May 5, 1987, p. 623, Pat. 289,667.

Official Gazette, Dated May 5, 1987, p. 623, Pat. 289,668.

Primary Examiner—Charles A. Rademaker  
Attorney, Agent, or Firm—Trask, Britt & Rossa

## [57] CLAIM

The ornamental design for a treadmill exerciser, as shown and described.

## DESCRIPTION

FIG. 1 is a perspective view of a treadmill exerciser showing my design;

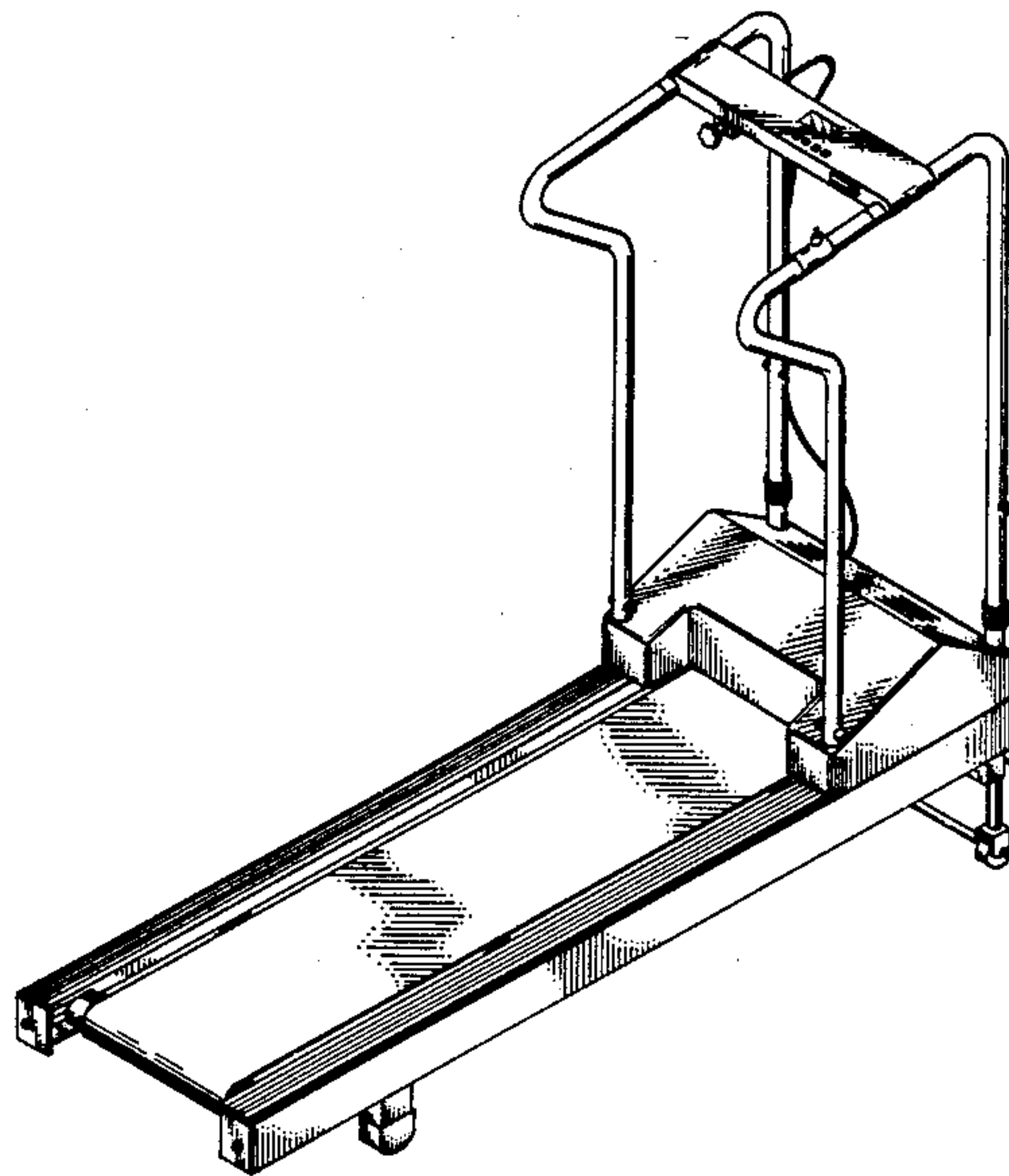
FIG. 2 is a top plan view;

FIG. 3 is a bottom plan view;

FIG. 4 is a right side elevational view, the left side elevational view;

FIG. 5 is a front elevational view;

FIG. 6 is a rear elevational view;



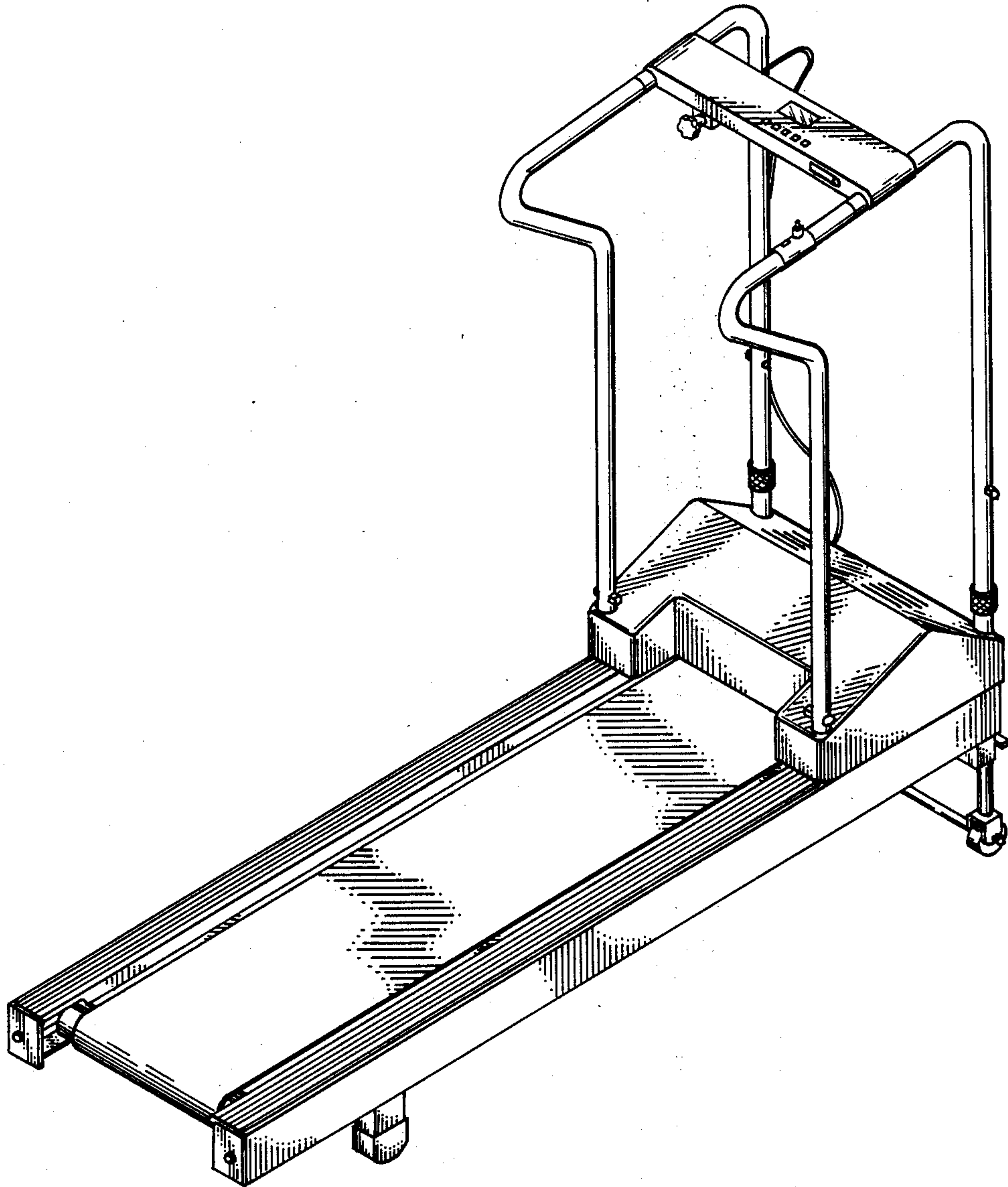


Fig. 1

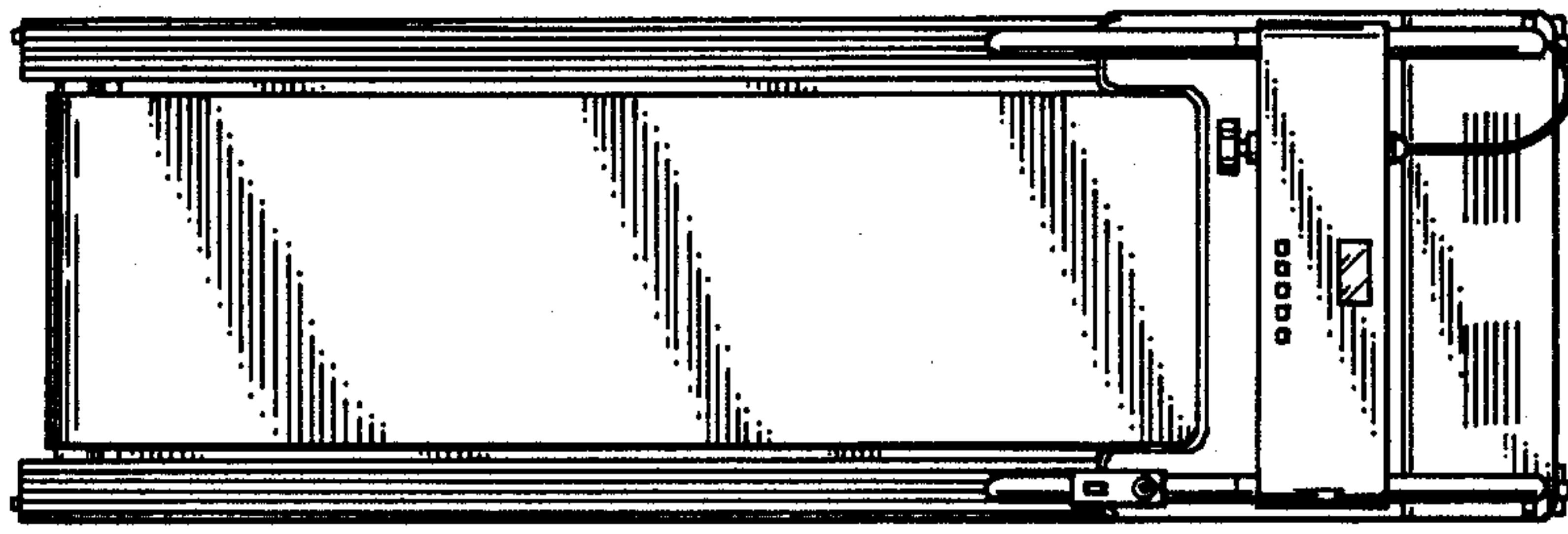


Fig. 2

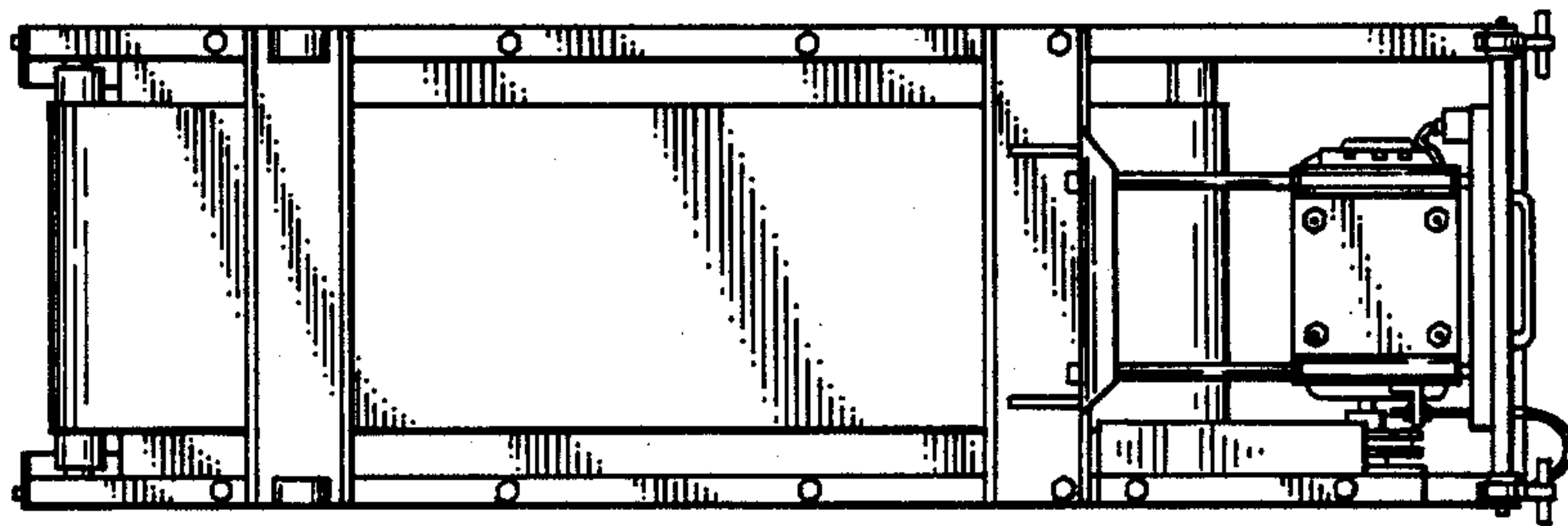


Fig. 3

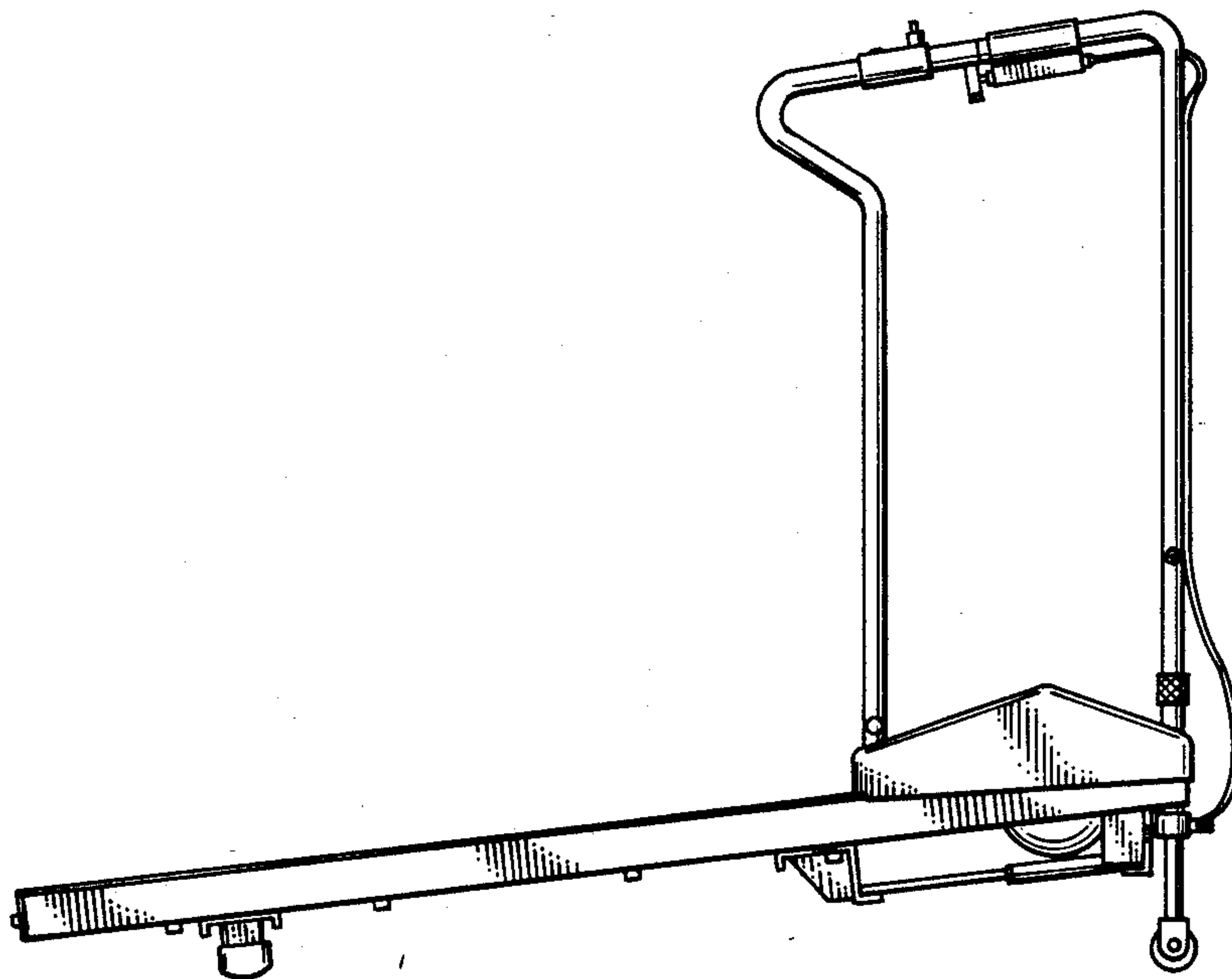


Fig. 4

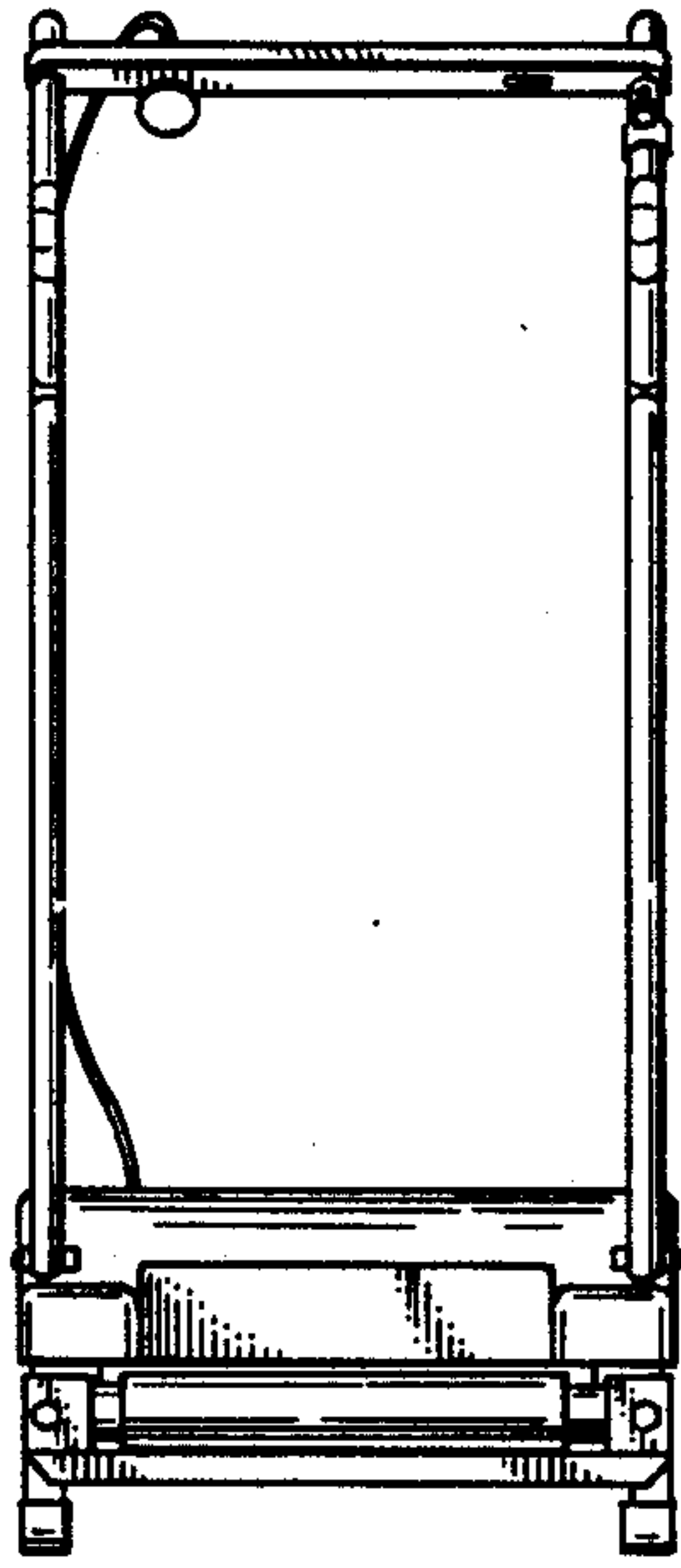


Fig. 5

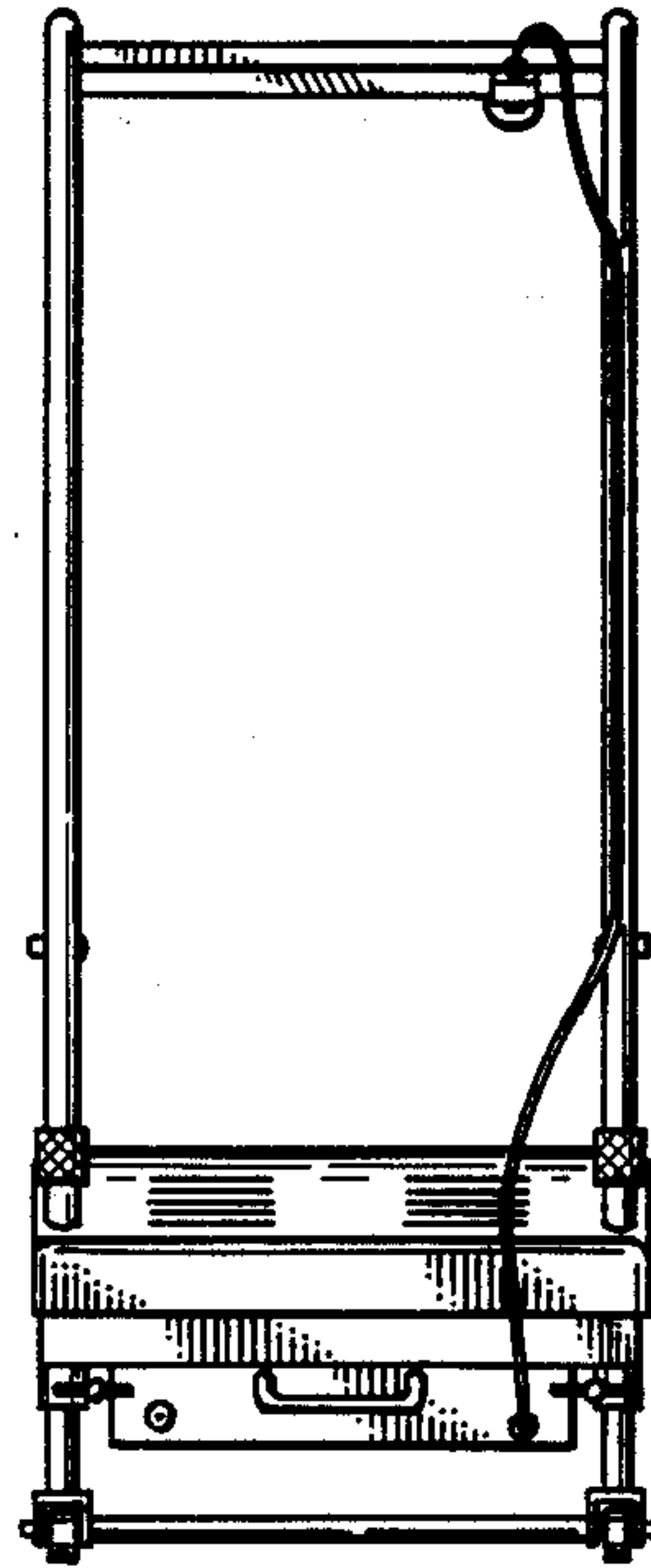


Fig. 6