

[54] COMBINED TRACK TOY AND VEHICLE

[75] Inventors: Ruth Elliott, Bramhall; Ian T. Revell, Knutsford, both of England

[73] Assignee: Hestair Kiddicraft Limited, Bristol, England

[**] Term: 14 Years

[21] Appl. No.: 210,619

[22] Filed: Jun. 23, 1988

[52] U.S. Cl. D21/114

[58] Field of Search D21/114, 118, 128, 136; 238/10 E, 10 F, 10 B; 446/124, 125, 168, 444, 487

[56] References Cited

U.S. PATENT DOCUMENTS

- D. 71,650 12/1926 Mangold D21/114
- D. 115,903 8/1939 Berger D21/118

- D. 137,423 3/1944 Wegertseder D21/114
- D. 246,775 12/1977 Brubaker D21/136
- D. 282,675 2/1986 Arigaya D21/136
- 2,008,390 7/1935 Harris D21/118
- 2,298,431 8/1942 Sullivan et al. D21/118

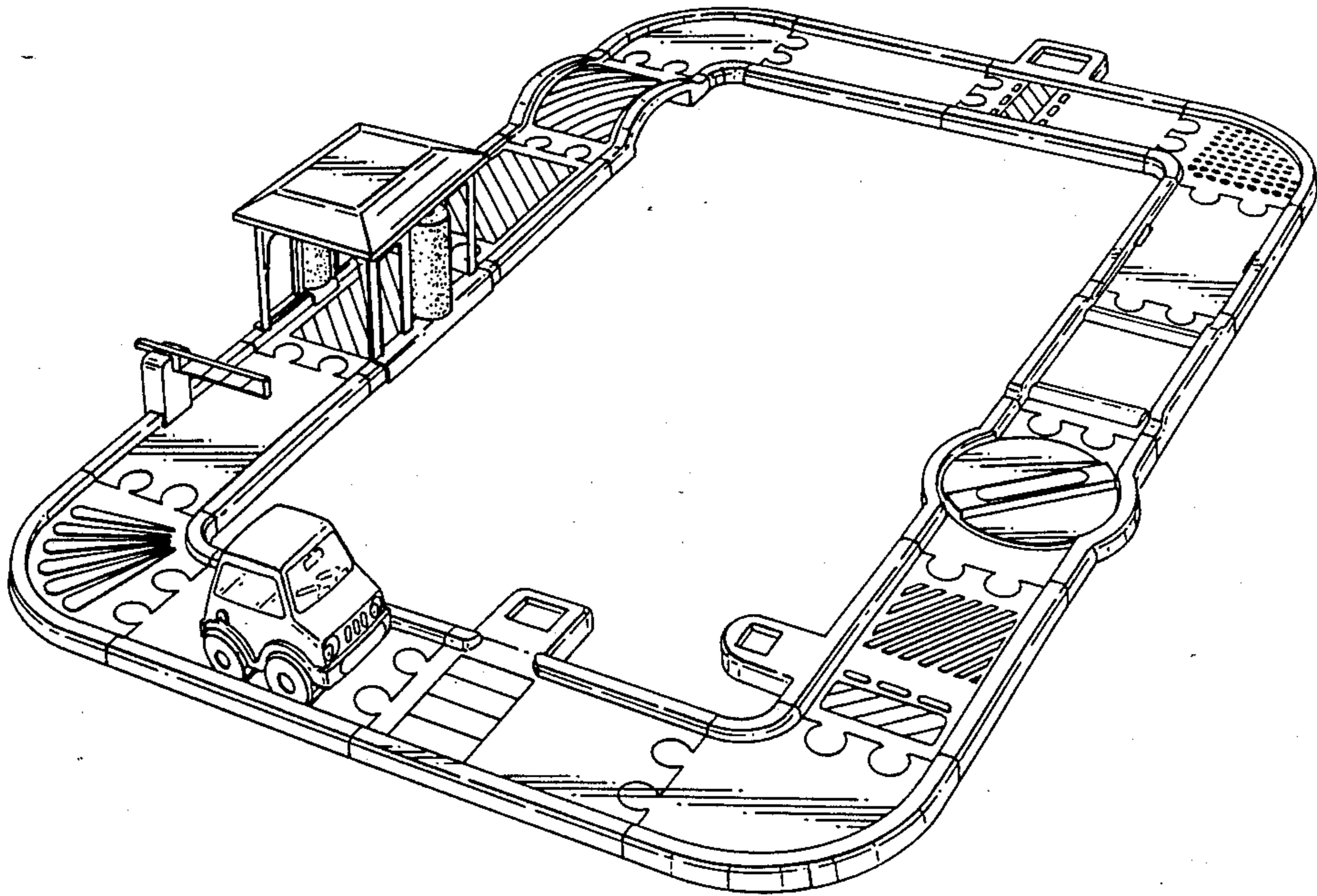
Primary Examiner—Charles A. Rademaker
Assistant Examiner—Alicia A. Farrell

[57] CLAIM

The ornamental design for a combined track toy and vehicle, as shown and described.

DESCRIPTION

FIG. 1 is a top perspective view of a combined track toy and vehicle showing our new design; FIG. 2 is a side elevational view thereof; FIG. 3 is the side opposite elevational view thereof; FIG. 4 is an end elevational view thereof; FIG. 5 is the opposite end elevational view thereof; FIG. 6 is a top plan view thereof; and FIG. 7 is a bottom plan view thereof.



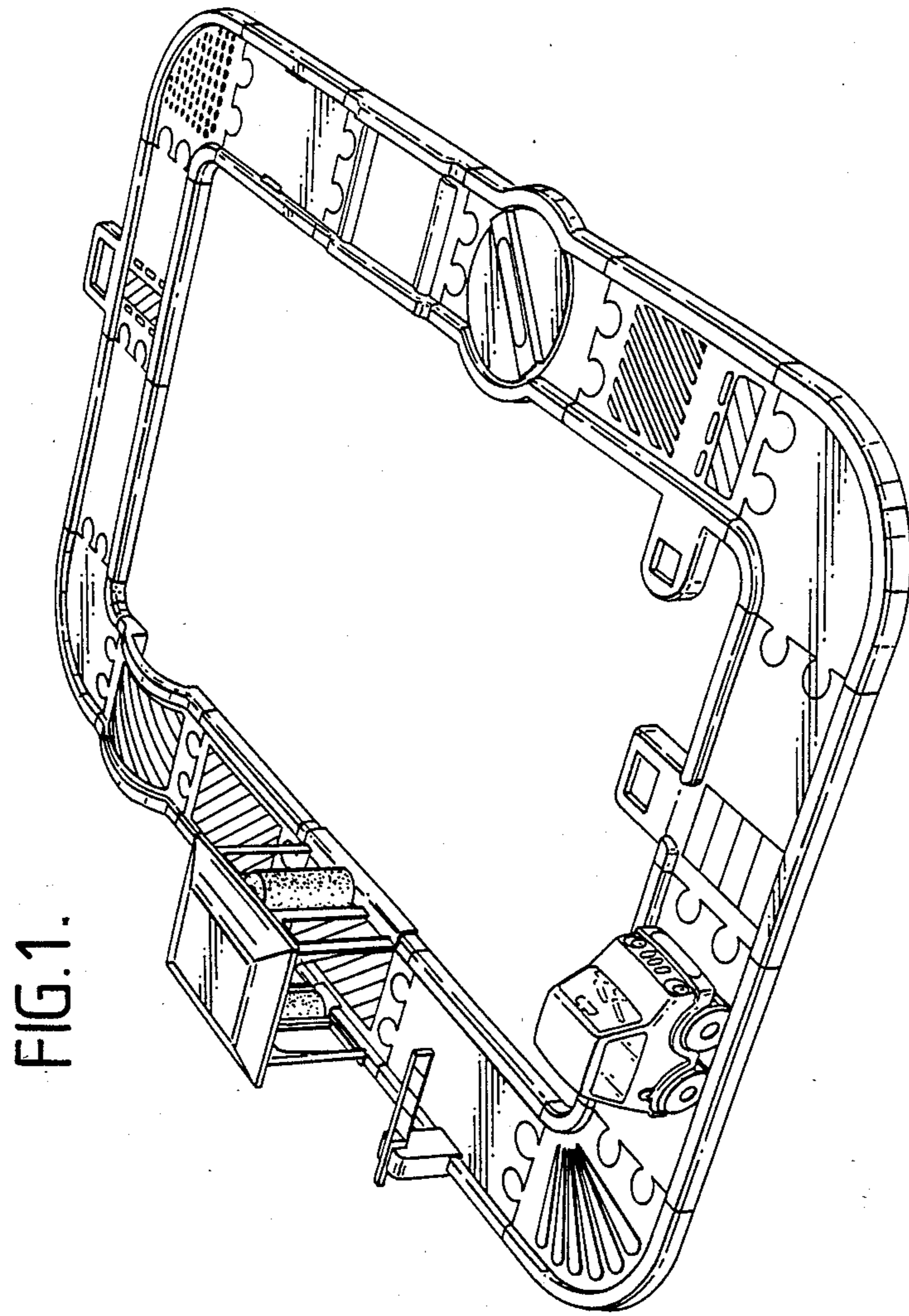


FIG. 2.

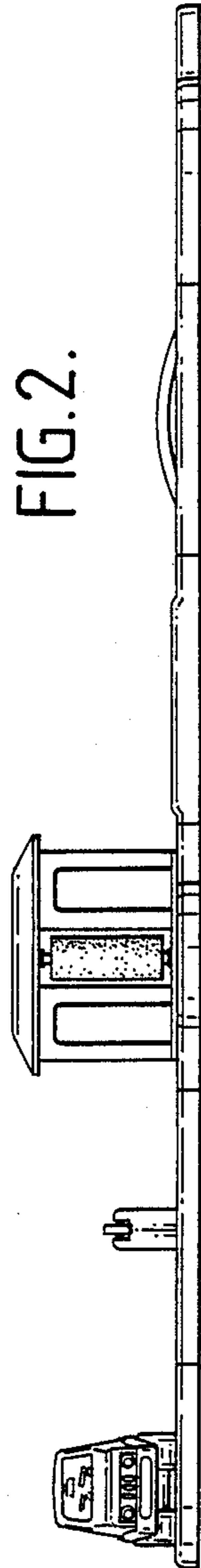
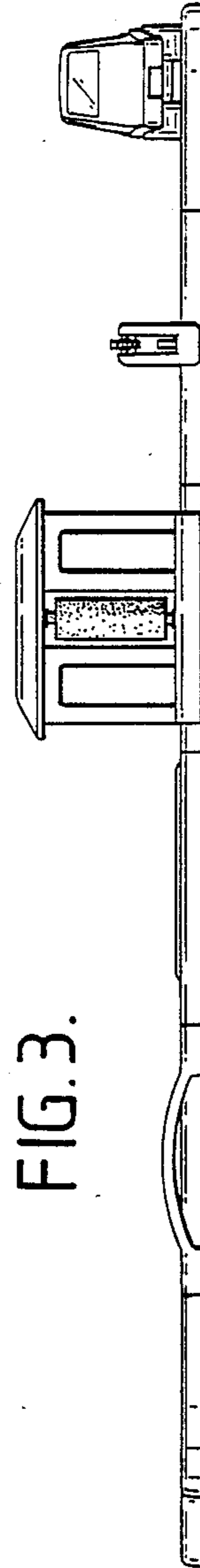


FIG. 3.



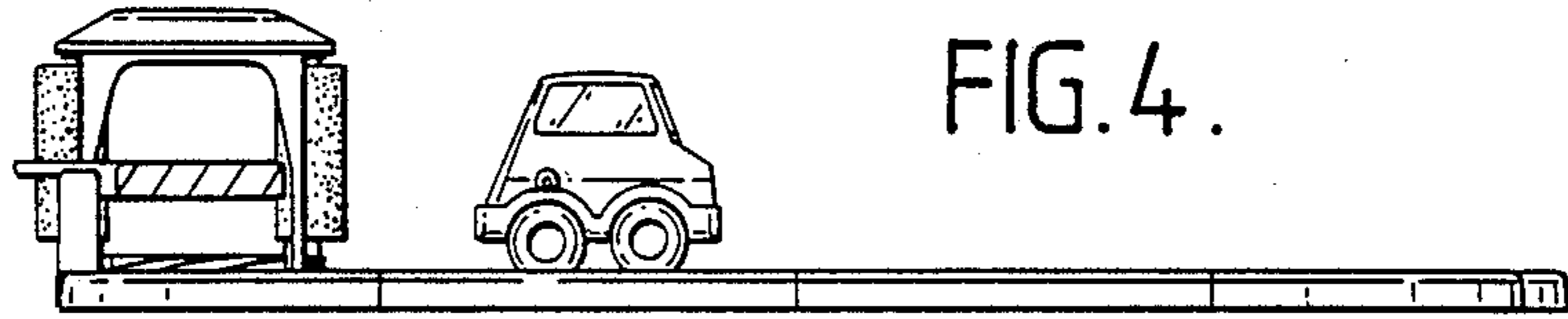


FIG. 4.

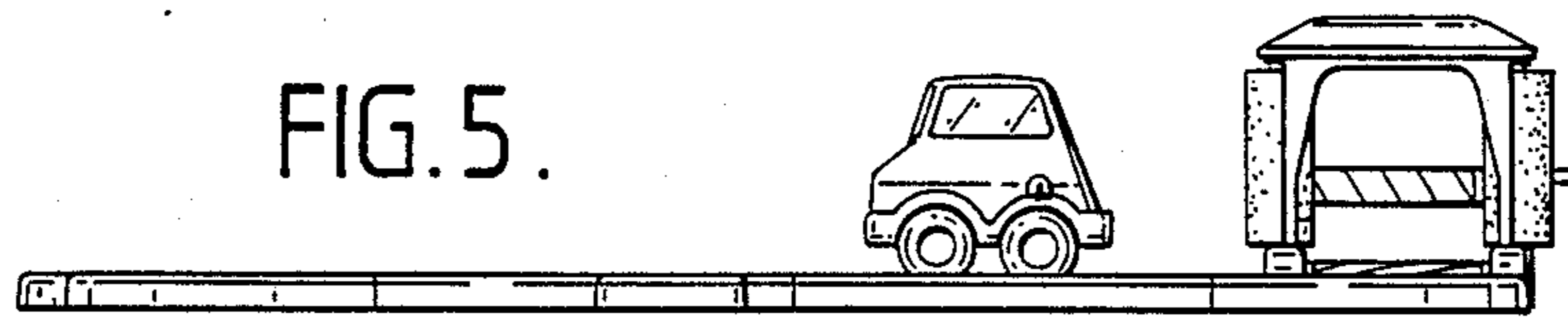


FIG. 5.

FIG. 6.

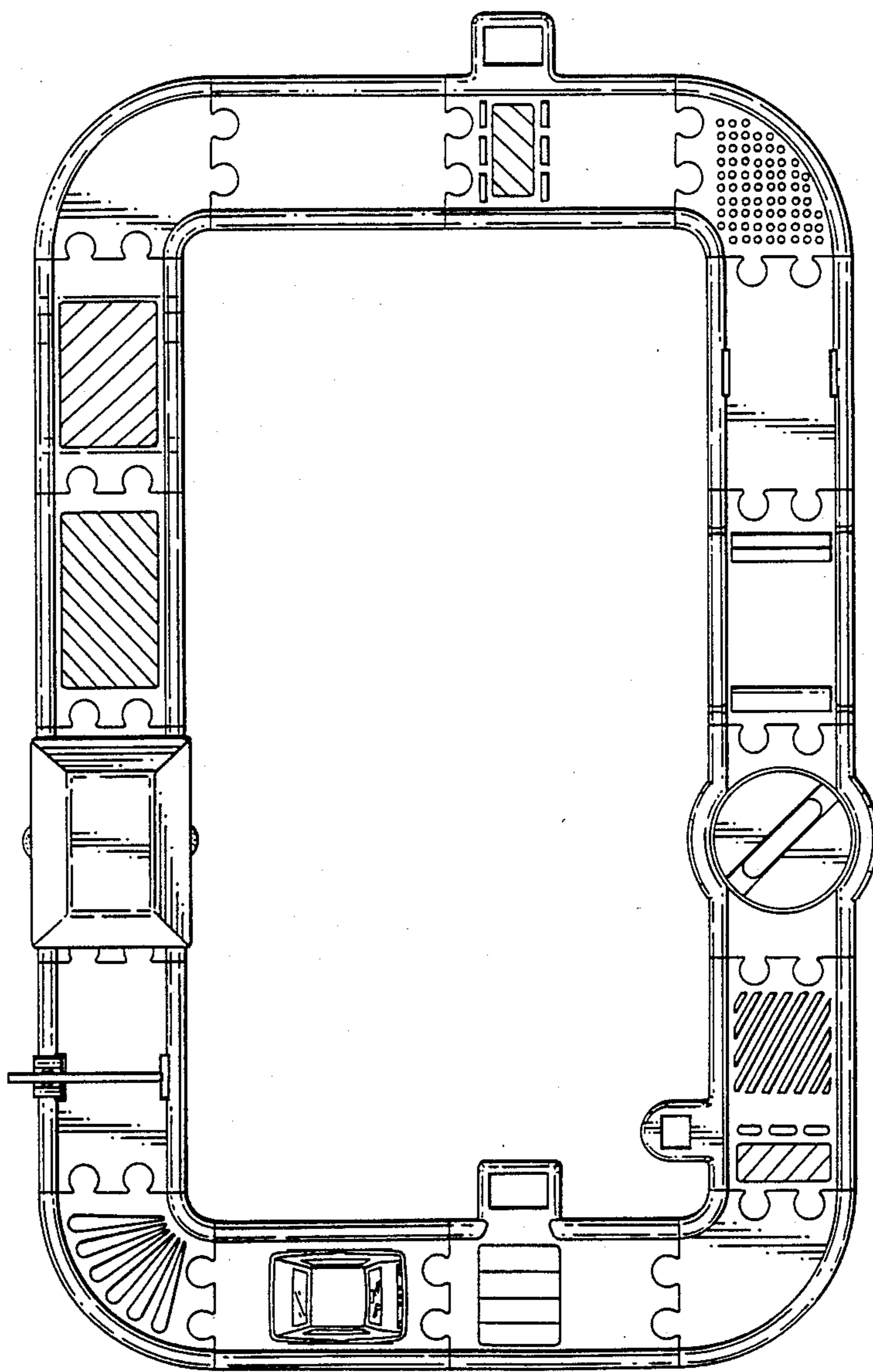


FIG. 7.

