

# United States Patent [19]

Miles et al.

[11] Patent Number: **Des. 306,462**

[45] Date of Patent: **\*\* Mar. 6, 1990**

[54] **SHEET DISPENSER**

[75] Inventors: **Alden R. Miles, Burnsville; Bruce E. Nelson, St. Paul; James C. Nygard, Maplewood, all of Minn.**

[73] Assignee: **Minnesota Mining and Manufacturing Company, St. Paul, Minn.**

[\*\*] Term: **14 Years**

[21] Appl. No.: **159,645**

[22] Filed: **Feb. 24, 1988**

[52] U.S. Cl. .... **D19/86**

[58] Field of Search ..... **D6/515, 518; D19/78, D19/75, 86, 91; 206/820, 804; 221/33**

[56] **References Cited**

**U.S. PATENT DOCUMENTS**

- D. 287,374 12/1986 MacOwski ..... D19/78
- D. 287,862 1/1987 Hauser et al. .... D19/78
- D. 296,794 7/1988 Leithauser ..... D19/78

- D. 299,149 12/1988 Wolff ..... D19/78
- D. 299,476 1/1989 Wolff ..... D19/75 X
- 885,420 4/1908 Ansell ..... 206/215 X
- 2,278,011 3/1942 Murdock ..... D6/578 X

*Primary Examiner*—Wallace R. Burke  
*Assistant Examiner*—Brian N. Vinson  
*Attorney, Agent, or Firm*—Donald M. Sell; Walter N. Kirn; William L. Huebsch

[57] **CLAIM**

The ornamental design for a sheet dispenser, as shown and described.

**DESCRIPTION**

FIG. 1 is a top, end, right side perspective view of a sheet dispenser showing our new design; FIG. 2 is a top plan view thereof, the undisclosed bottom being plain and unornamented. FIG. 3 is a left side elevational view thereof; FIG. 4 is a right side elevational view thereof; and FIG. 5 is an end elevational view thereof, the other end view being identical.

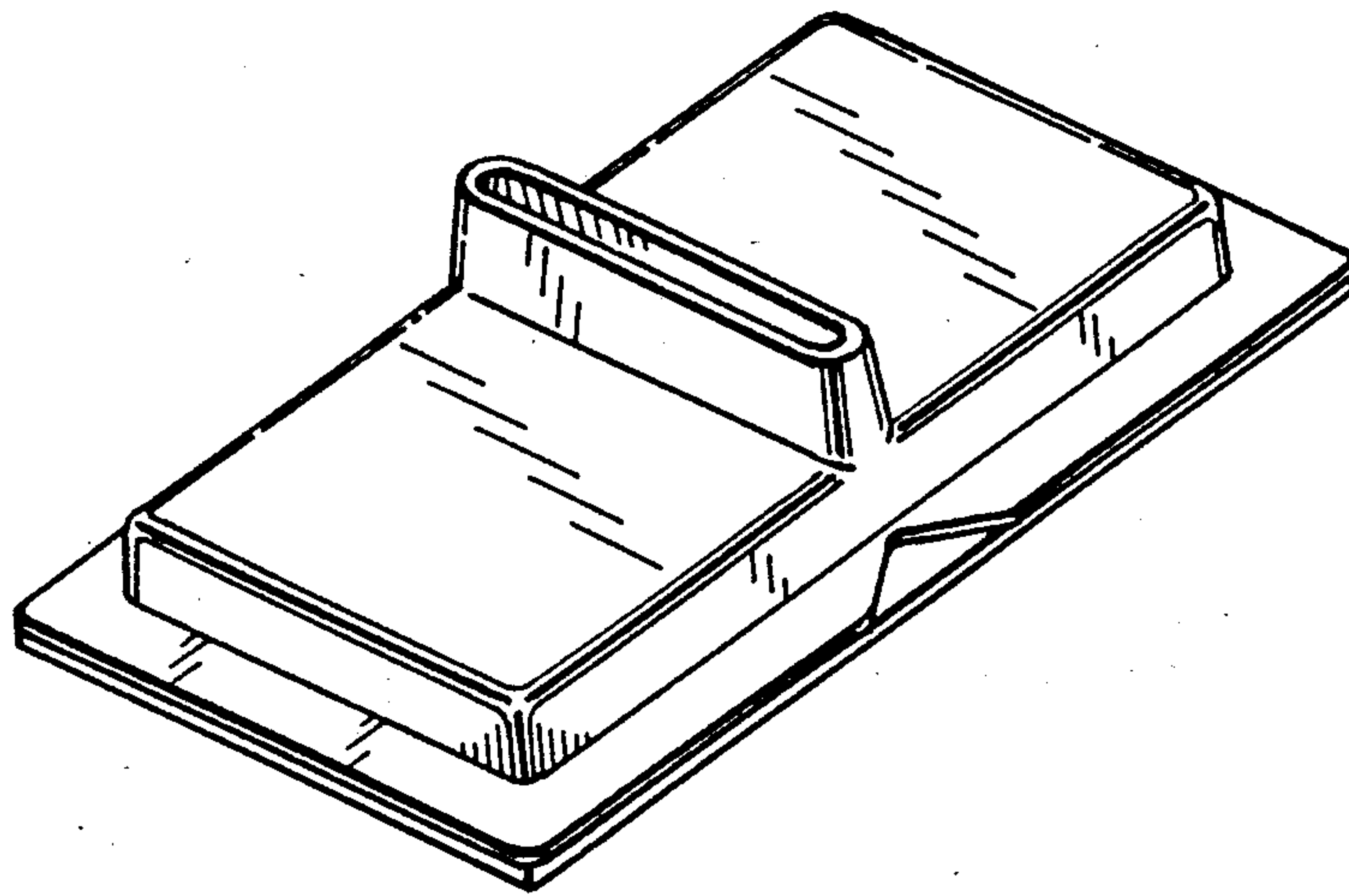




FIG. 3

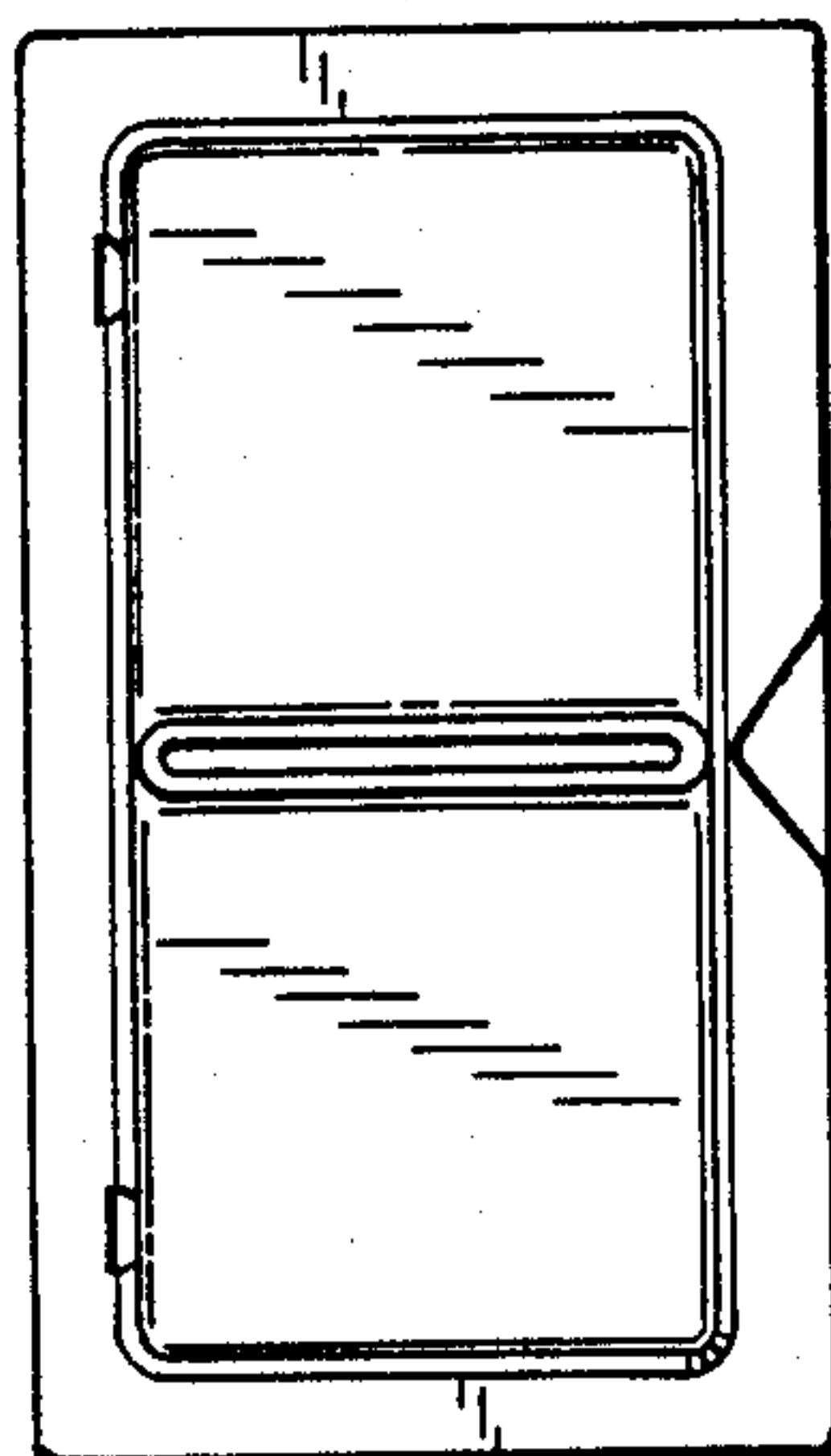


FIG. 2

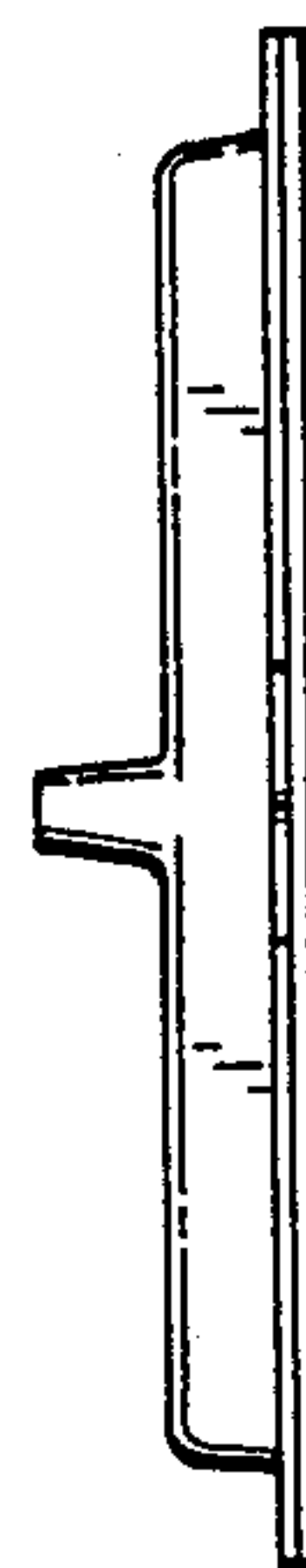


FIG. 4

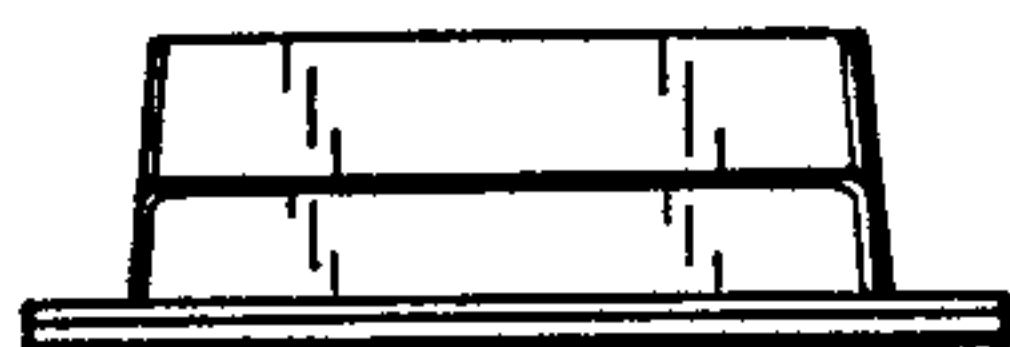


FIG. 5

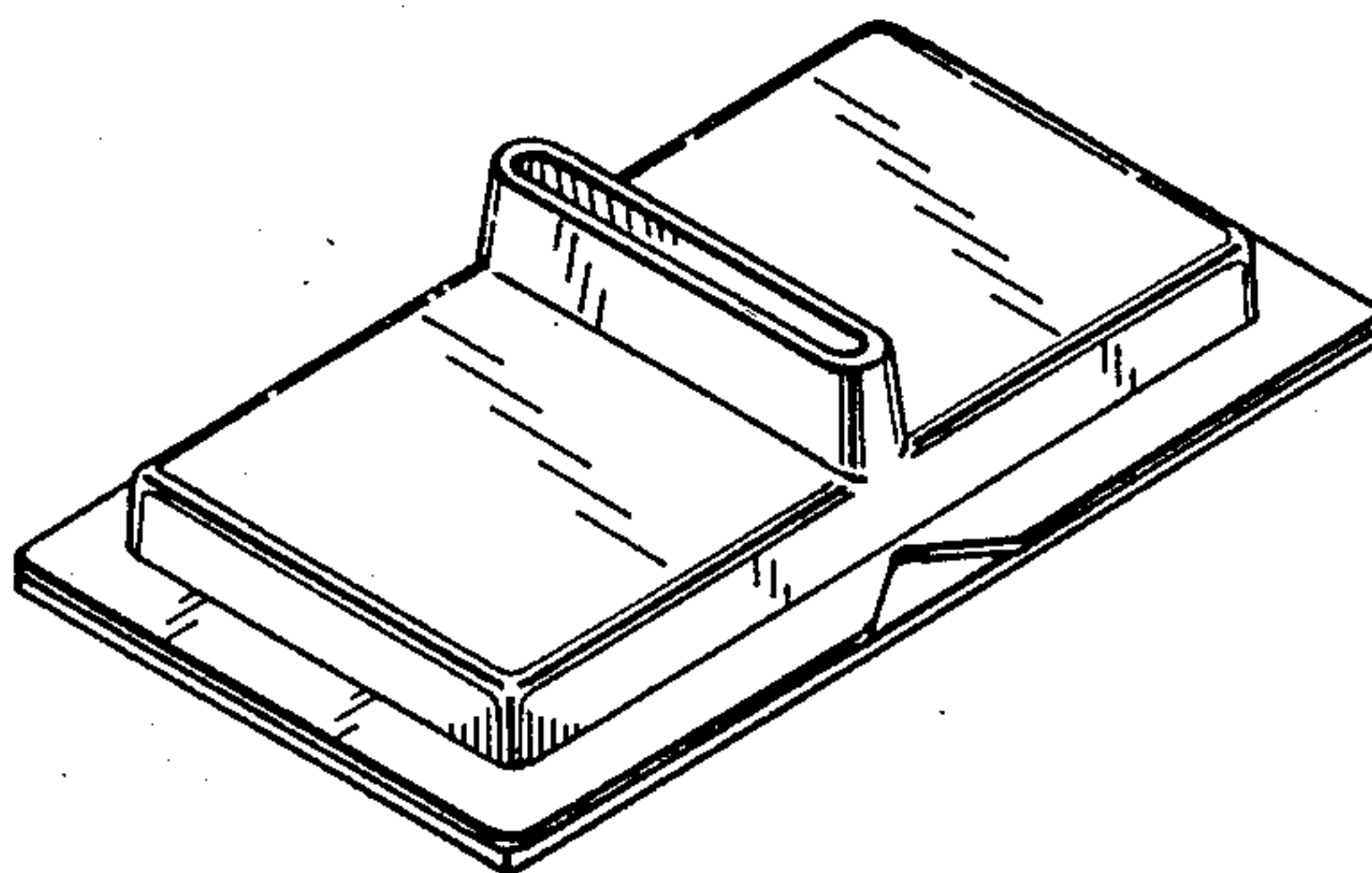


FIG. 1