

[54] PUNCH

[75] Inventor: Chuzo Mori, Funabashi, Japan

[73] Assignee: Carl Manufacturing Co., Ltd., Tokyo, Japan

[\*\*] Term: 14 Years

[21] Appl. No.: 36,811

[22] Filed: Apr. 10, 1987

[30] Foreign Application Priority Data

Oct. 20, 1986 [JP] Japan ..... 61-41501

[52] U.S. Cl. .... D19/72

[58] Field of Search ..... D19/72; 83/167, 467, 83/560, 588, 618

[56] References Cited

U.S. PATENT DOCUMENTS

- D. 193,230 7/1962 Klein ..... D19/72
- D. 193,231 7/1962 Klein ..... D19/72
- D. 233,951 12/1974 Buan ..... D19/72
- D. 289,776 5/1987 Goertz et al. .
- D. 295,192 4/1988 Lucey .

OTHER PUBLICATIONS

Ginns Office Supply Catalog, ©1984, see p. 251, article lower right hand corner.

Primary Examiner—Nelson C. Holtje  
Assistant Examiner—Martha Thompson  
Attorney, Agent, or Firm—Armstrong, Nikaido, Marmelstein, Kubovcik & Murray

[57] CLAIM

The ornamental design for a punch, as shown and described.

DESCRIPTION

FIG. 1 is a front, top and left side perspective view of a punch showing my new design; -  
FIG. 2 is a rear, top and right side perspective view thereof;  
FIG. 3 is a front perspective view thereof;  
FIG. 4 is a rear perspective view thereof;  
FIG. 5 is a left side perspective view thereof;  
FIG. 6 is a right side perspective view thereof;  
FIG. 7 is a top perspective view thereof; and  
FIG. 8 is a bottom perspective view thereof.

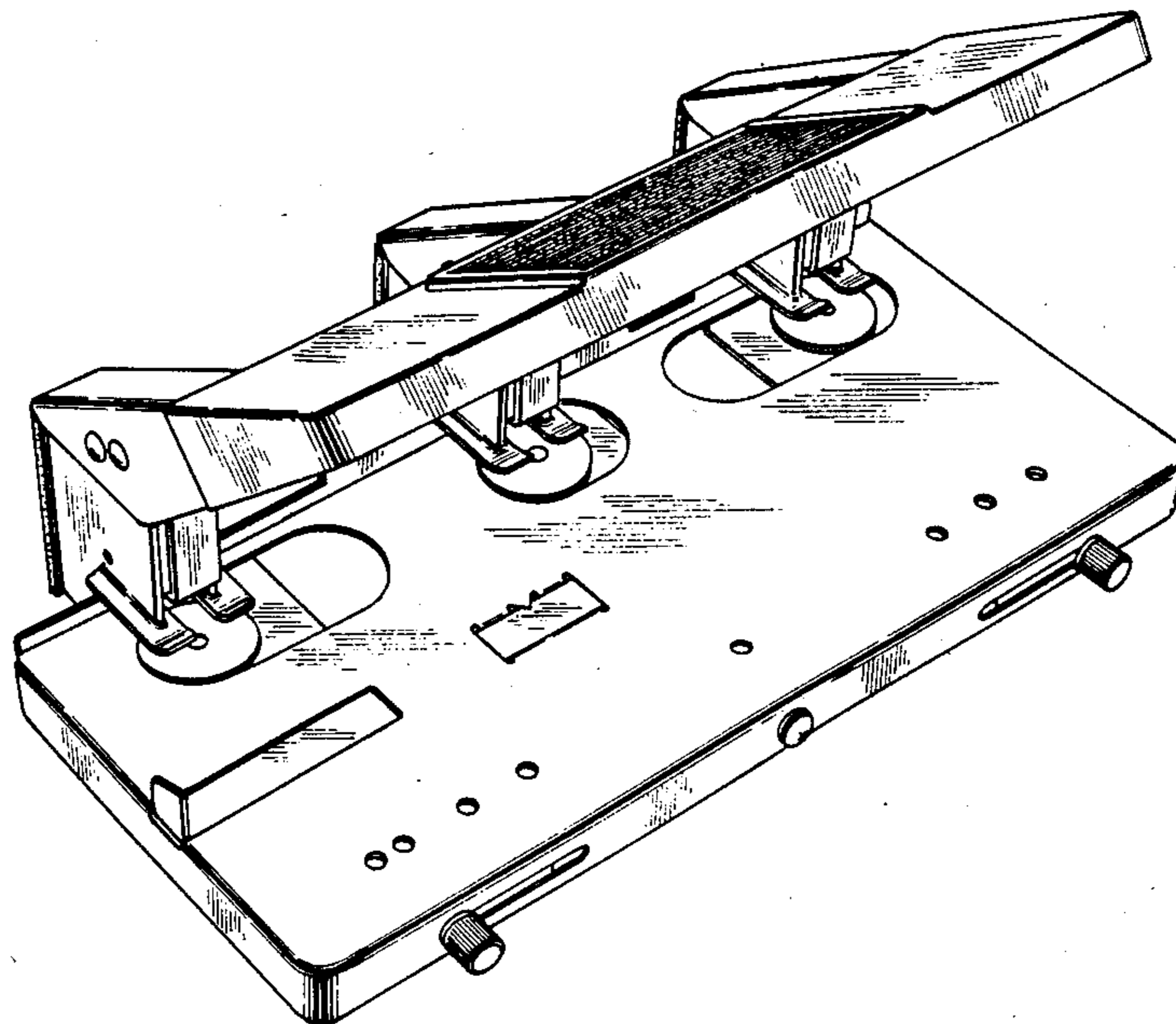


FIG. 1

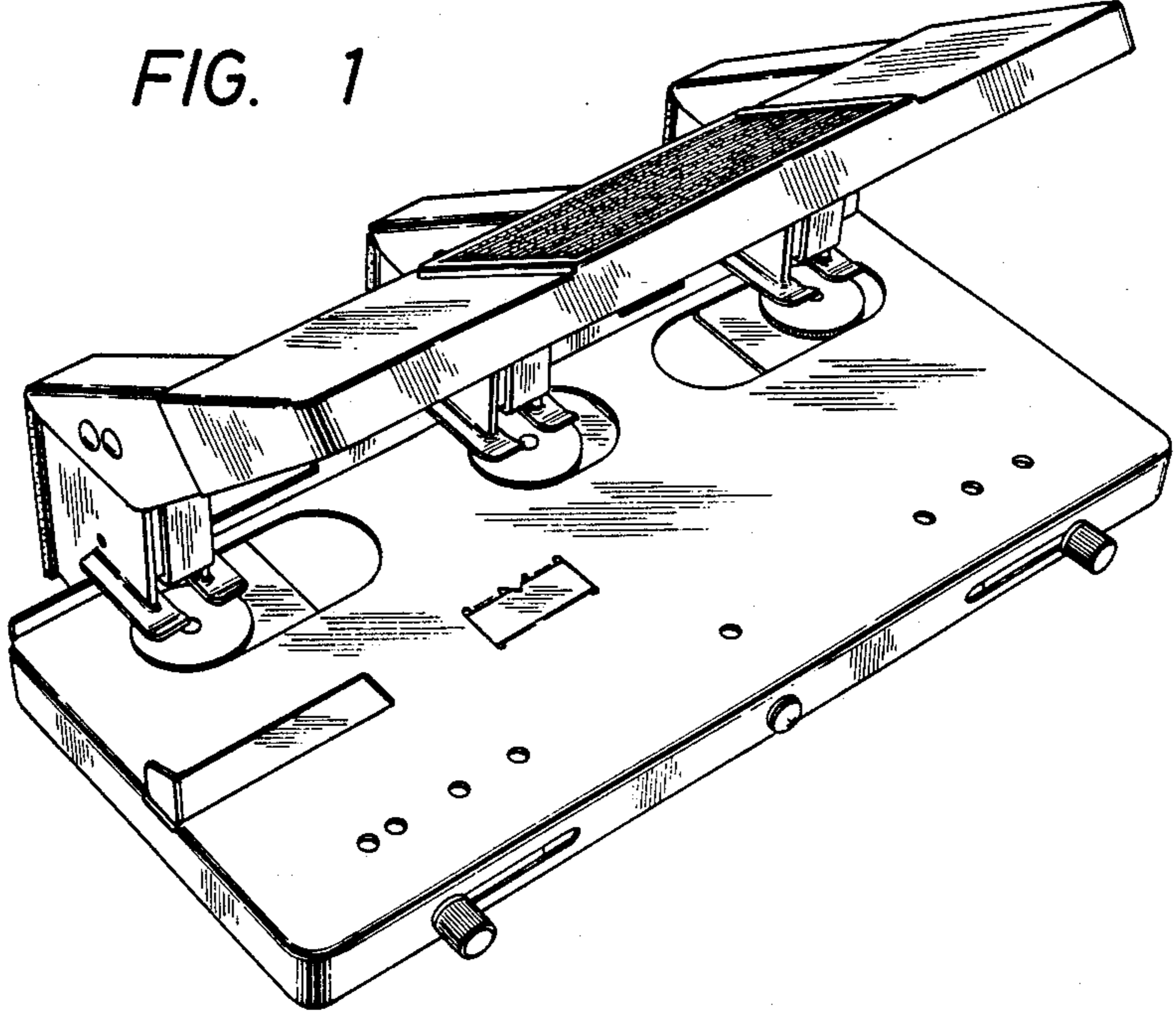


FIG. 2

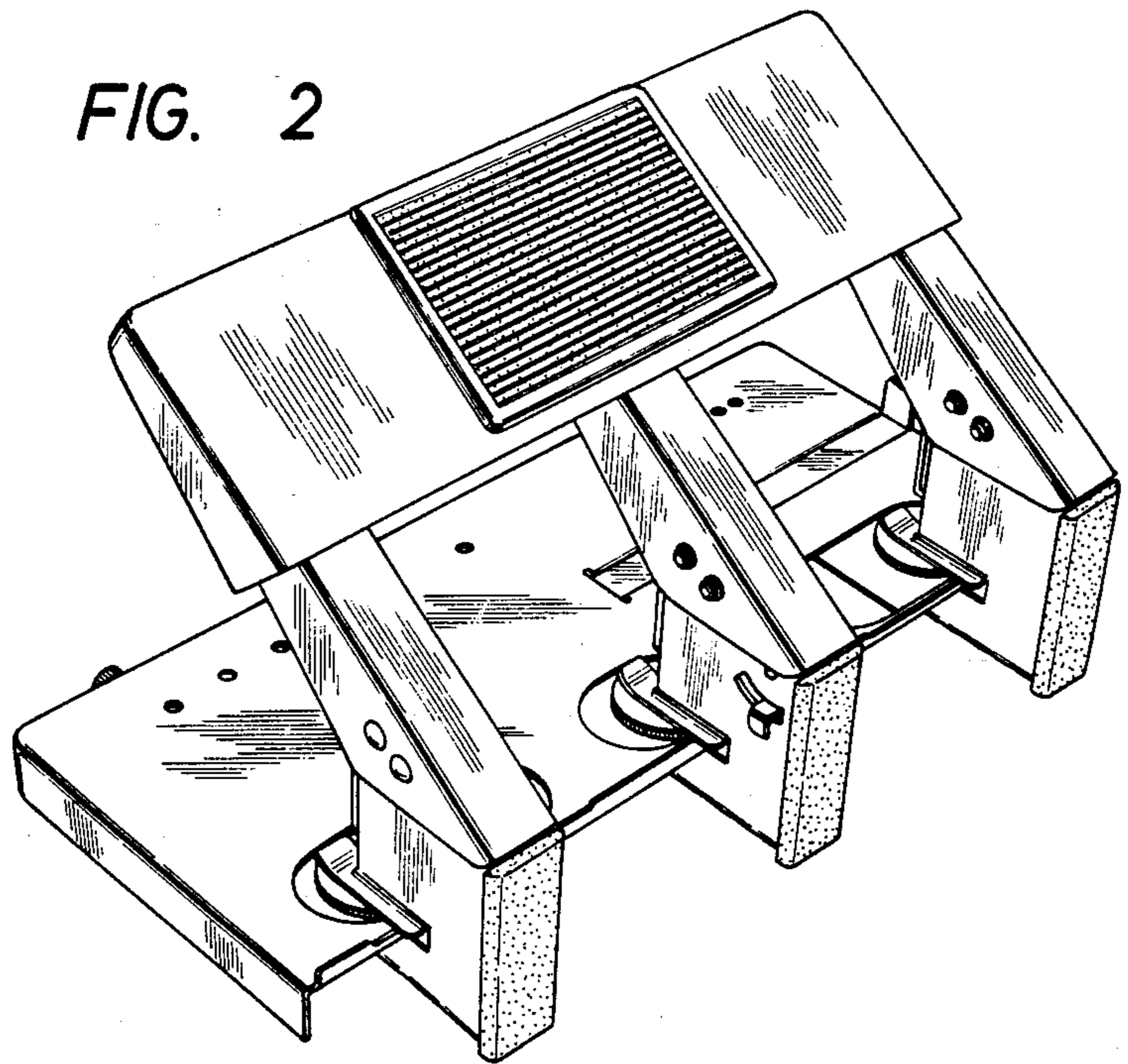


FIG. 3

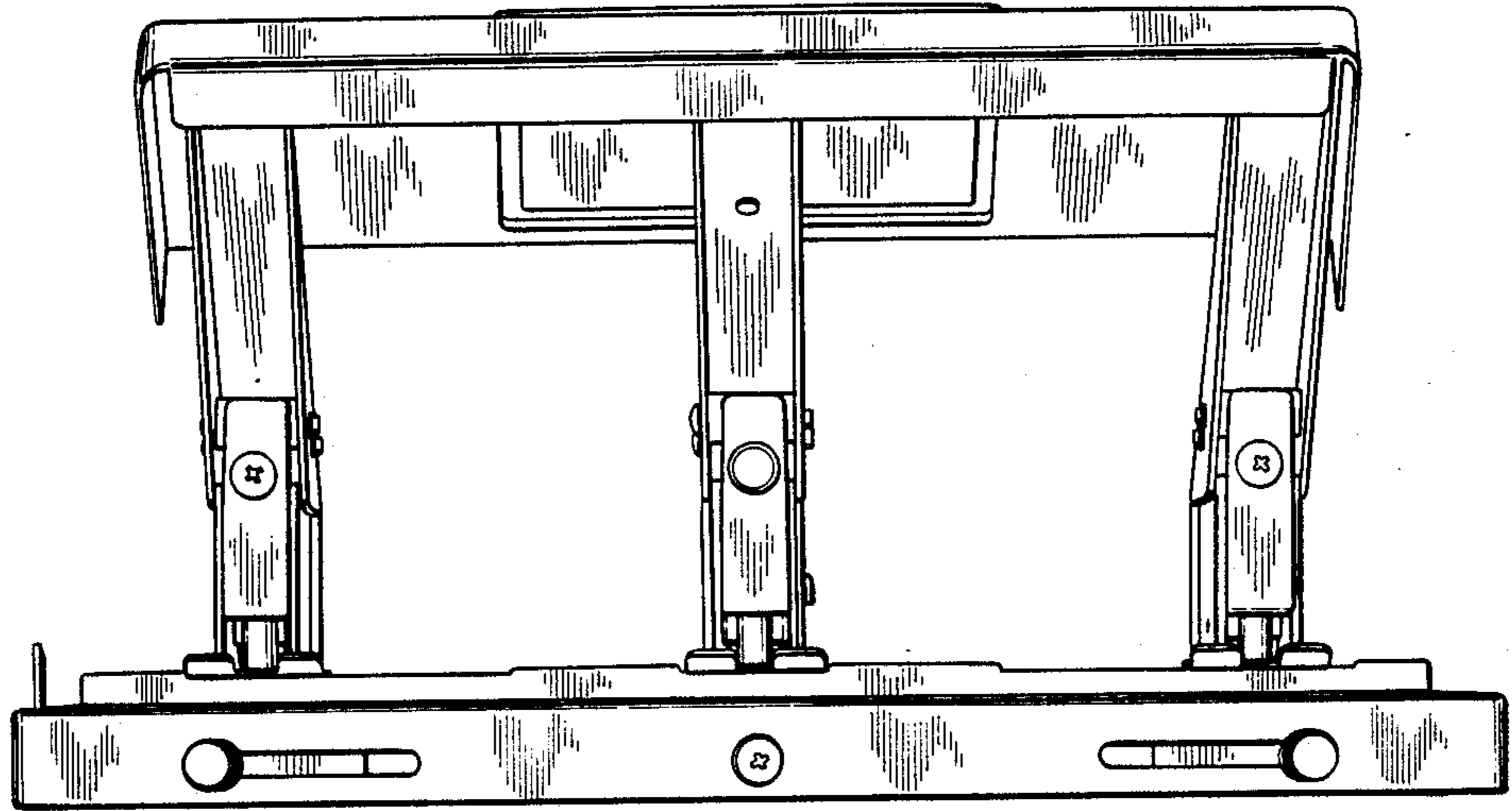


FIG. 4

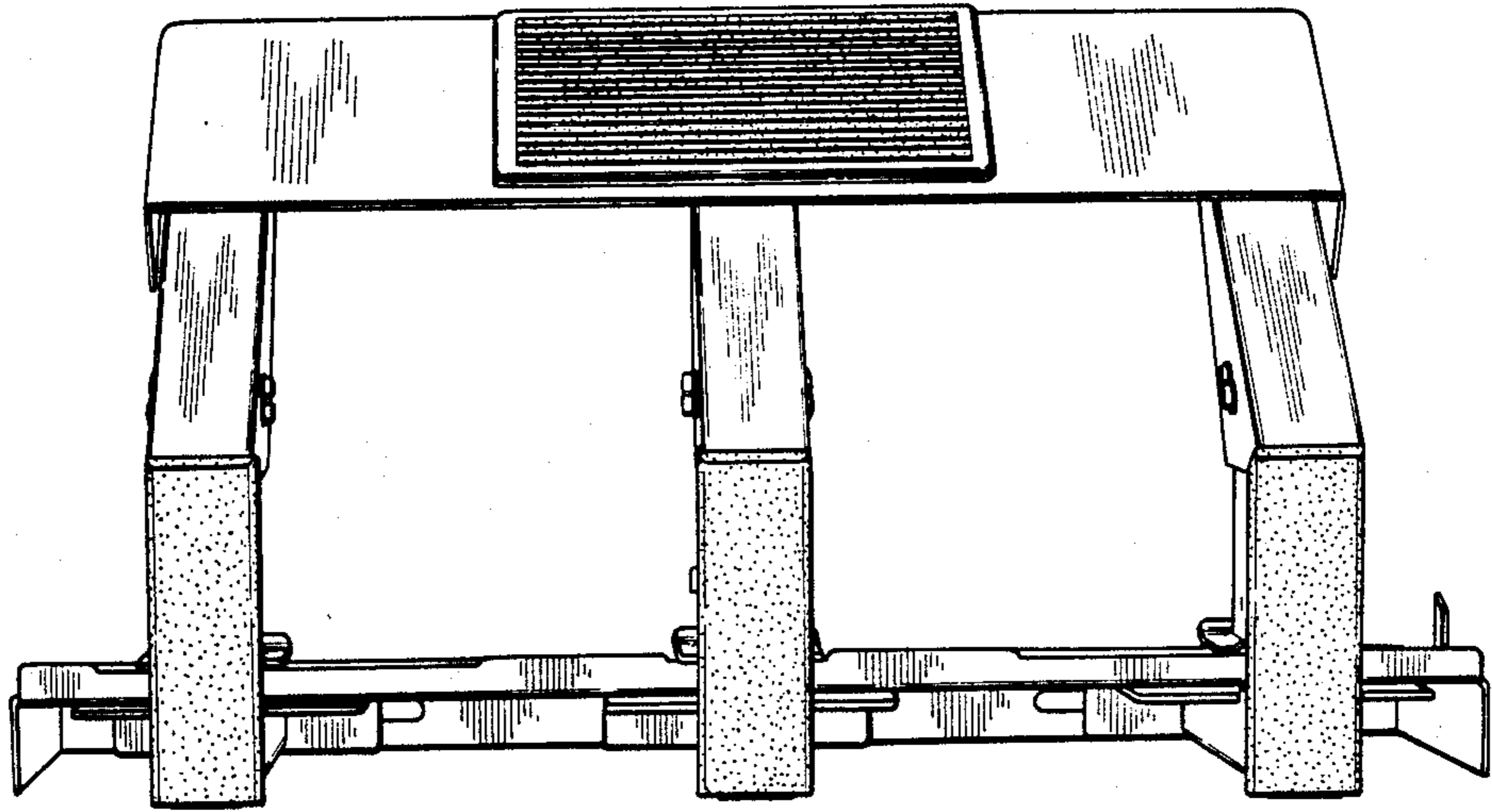


FIG. 5

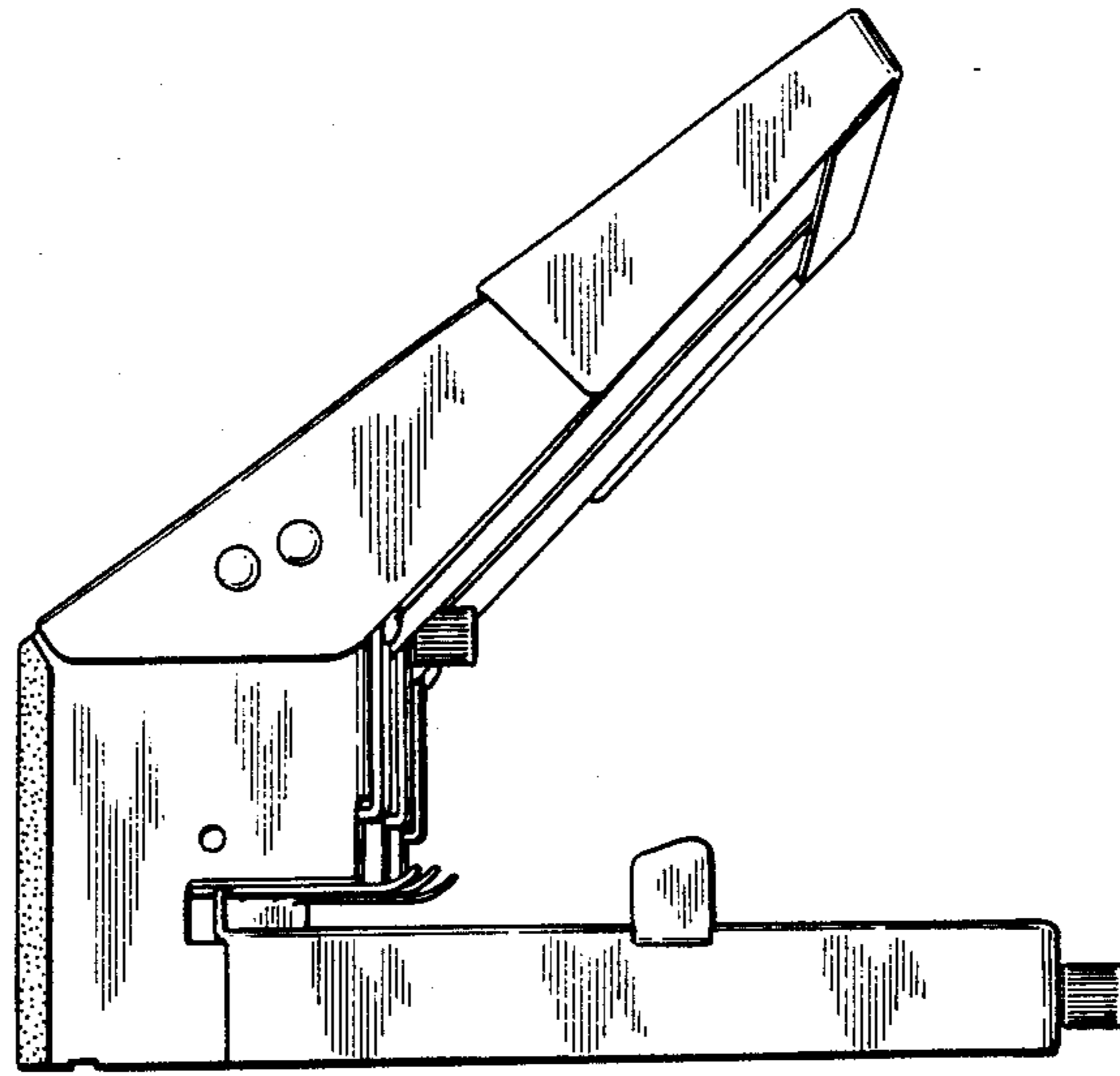


FIG. 6

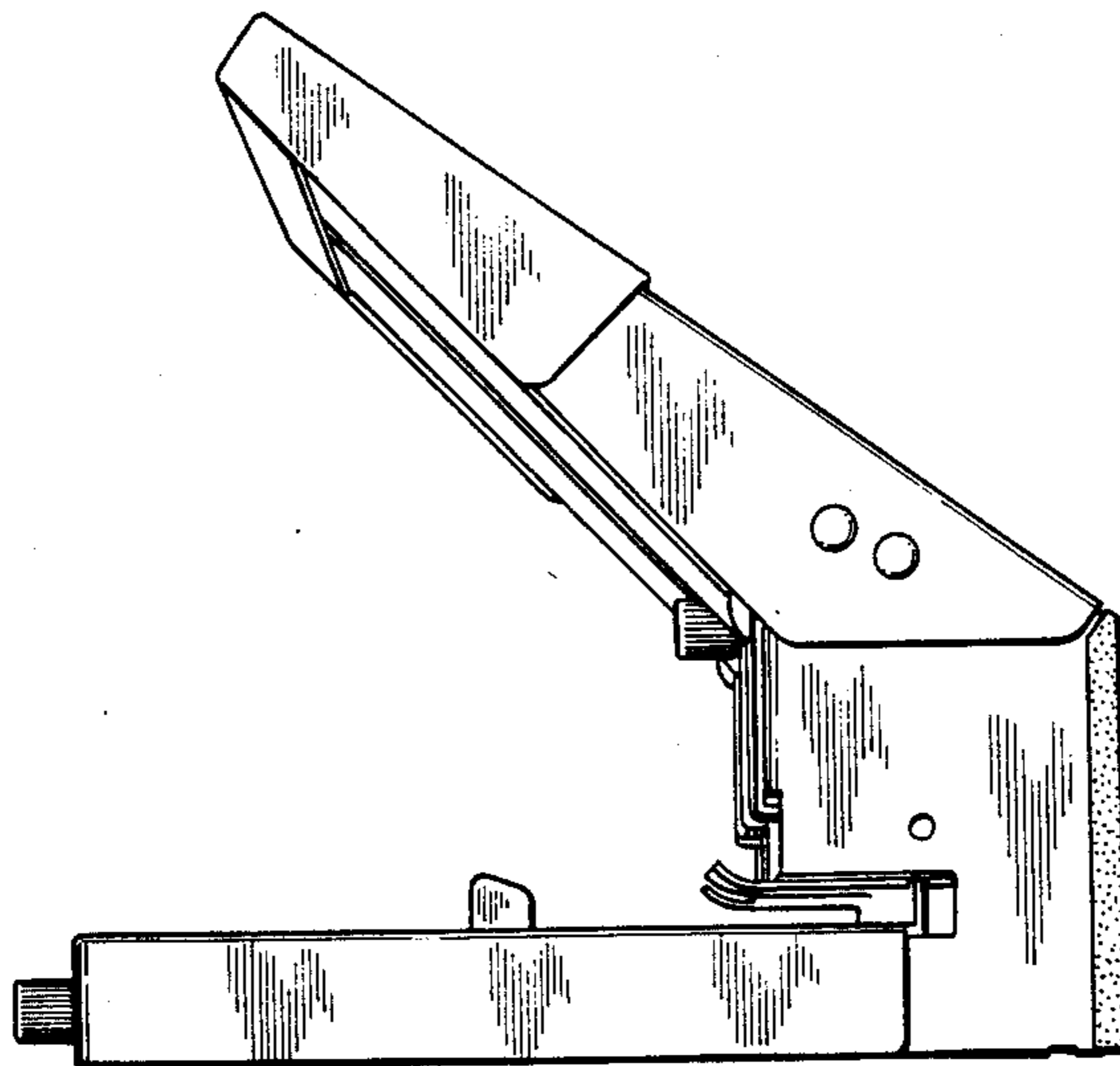


FIG. 7

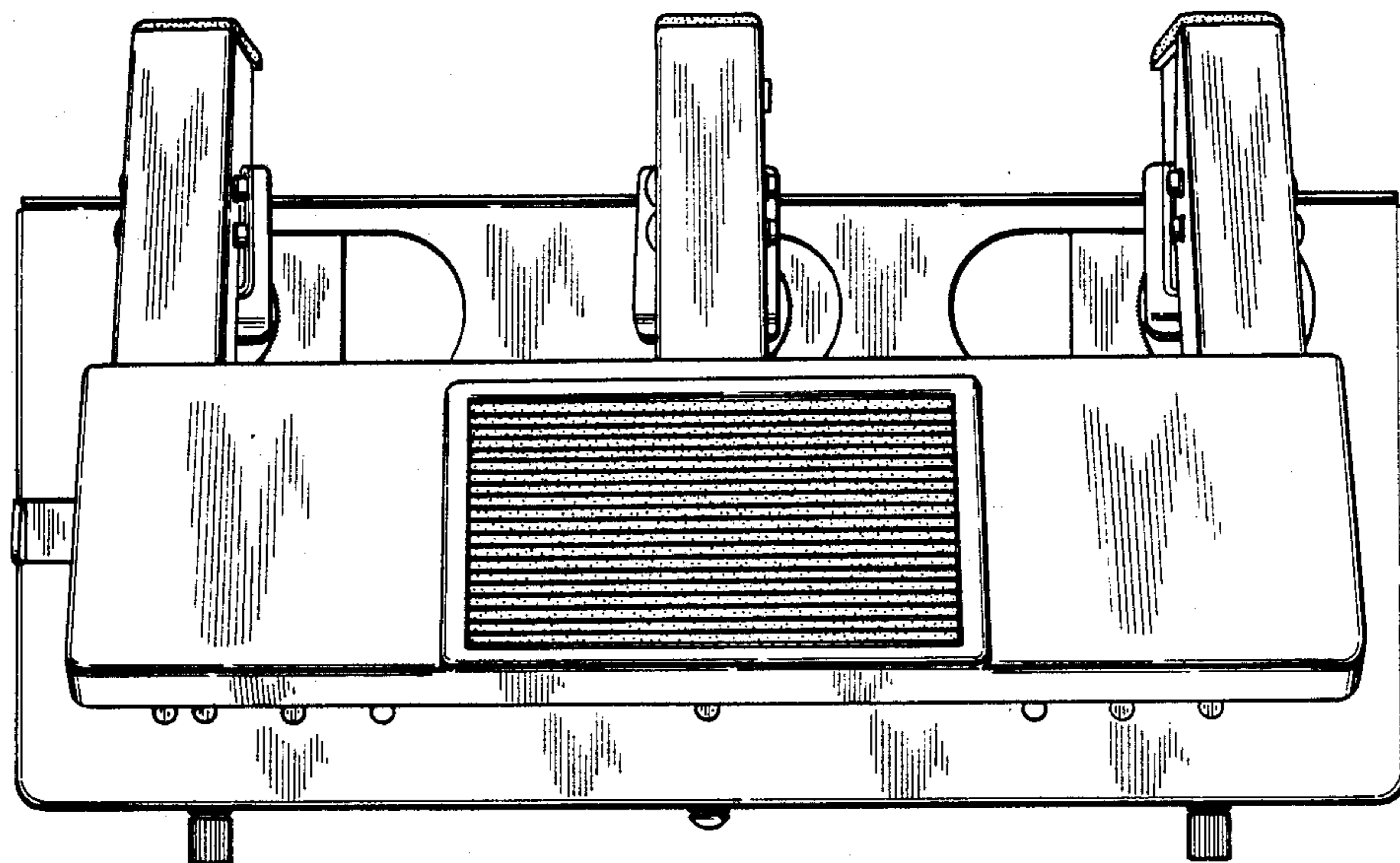


FIG. 8

