

United States Patent [19]

Proia

[11] Patent Number: **Des. 306,451**

[45] Date of Patent: **** Mar. 6, 1990**

[54] MACHINE FOR ASSEMBLING FAVORS

4,555,893 12/1985 Nakata et al. 53/390
4,570,415 2/1986 Centeno 53/390 X

[75] Inventor: Giovanni Proia, Brooklyn, N.Y.

[73] Assignee: S.A.S. Italian Records, Inc.,
Brooklyn, N.Y.

[**] Term: 14 Years

[21] Appl. No.: 180,270

[22] Filed: Apr. 11, 1988

[52] U.S. Cl. D15/145

[58] Field of Search D15/199, 145; 53/390,
53/172

[56] **References Cited**

U.S. PATENT DOCUMENTS

2,595,235	5/1952	Emrich	53/390 X
2,924,926	2/1960	Paine, Jr.	53/390 X
2,974,458	3/1961	Muskat et al.	53/390 X
4,401,020	8/1983	Brux	53/390

Primary Examiner—Nelson C. Holtje
Assistant Examiner—Jeffrey Asch
Attorney, Agent, or Firm—James J. Romano, Jr.

[57] **CLAIM**

The ornamental design for a machine for assembling favors, as shown.

DESCRIPTION

FIG. 1 is a top, front, and left side perspective view of a machine for assembling favors showing my new design, a push tube being shown in broken lines for illustrative purposes only and forming no part of the claimed design;

FIG. 2 is a front elevational view;

FIG. 3 is a top plan view;

FIG. 4 is a right side elevational view;

FIG. 5 is a rear elevational view; and

FIG. 6 is a bottom plan view thereof.

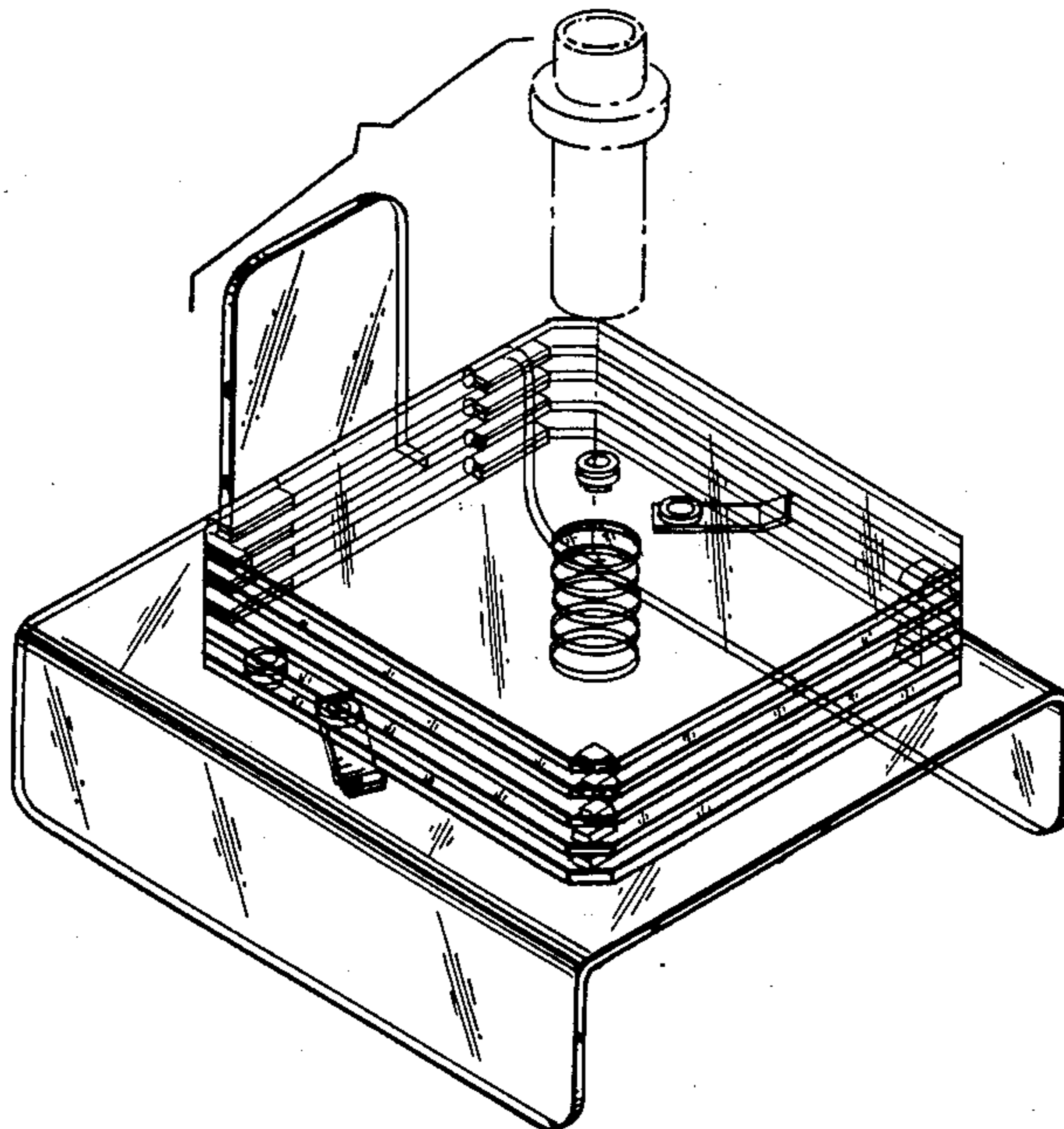


FIG. 1

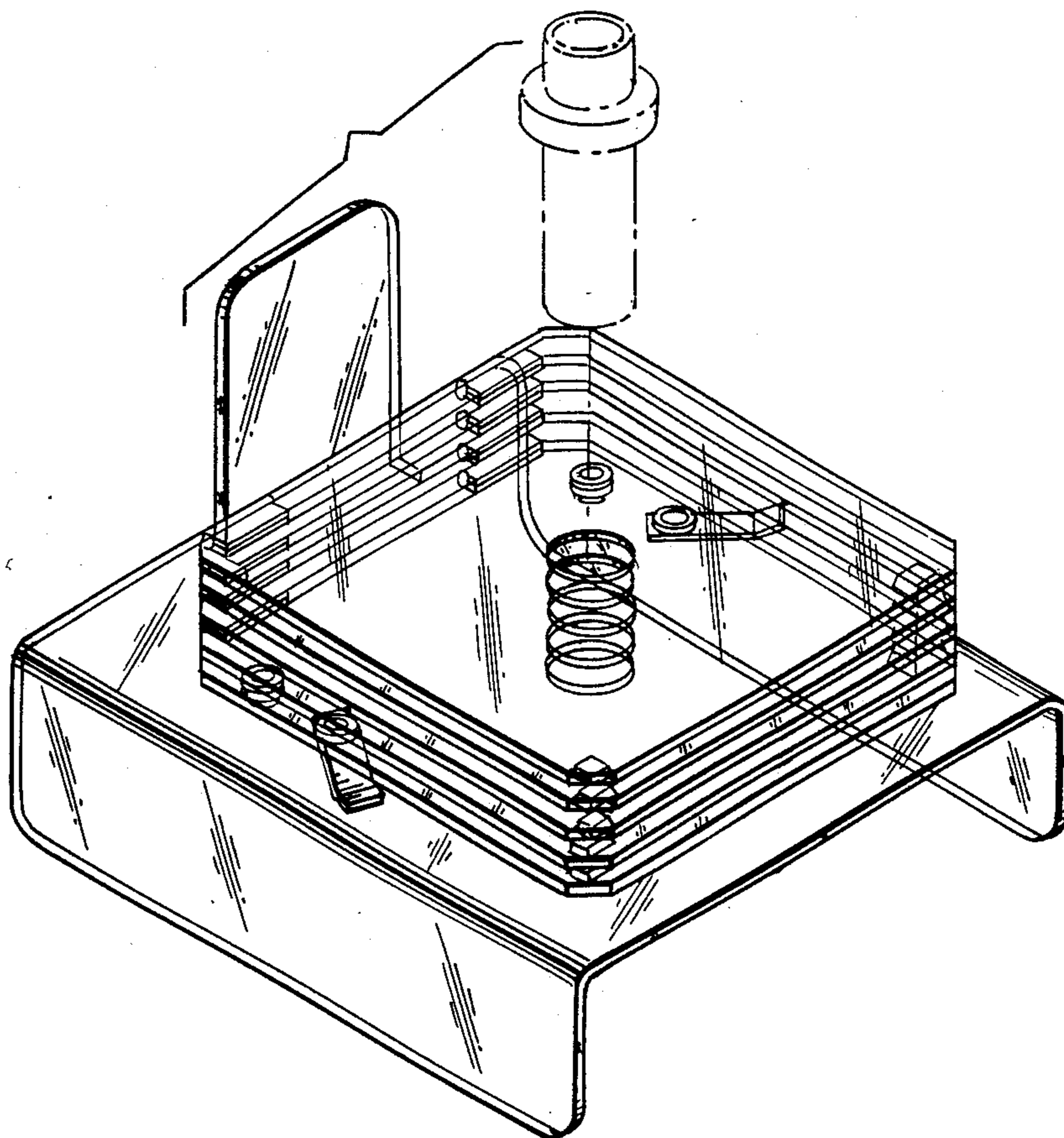


FIG. 2

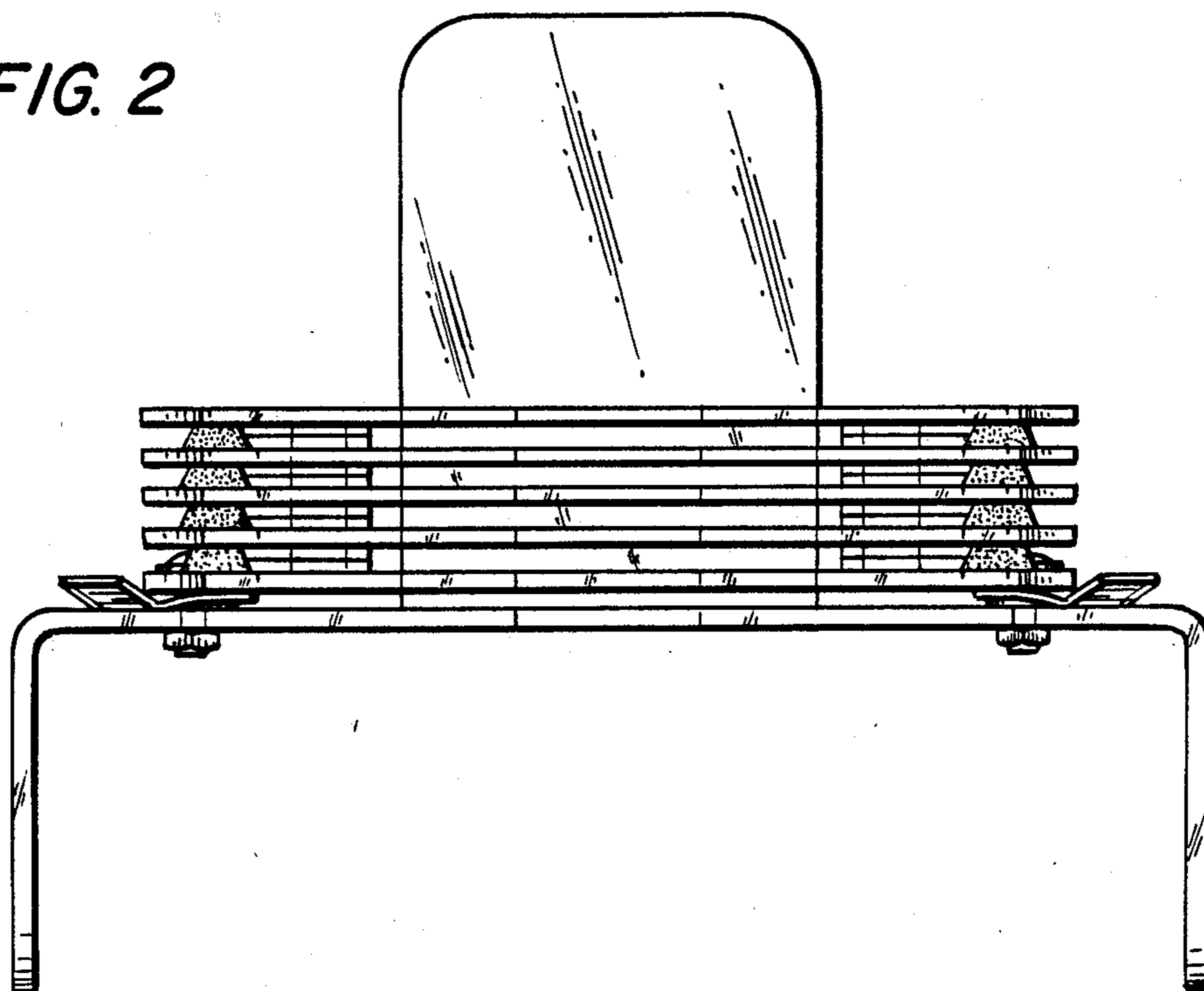


FIG. 3

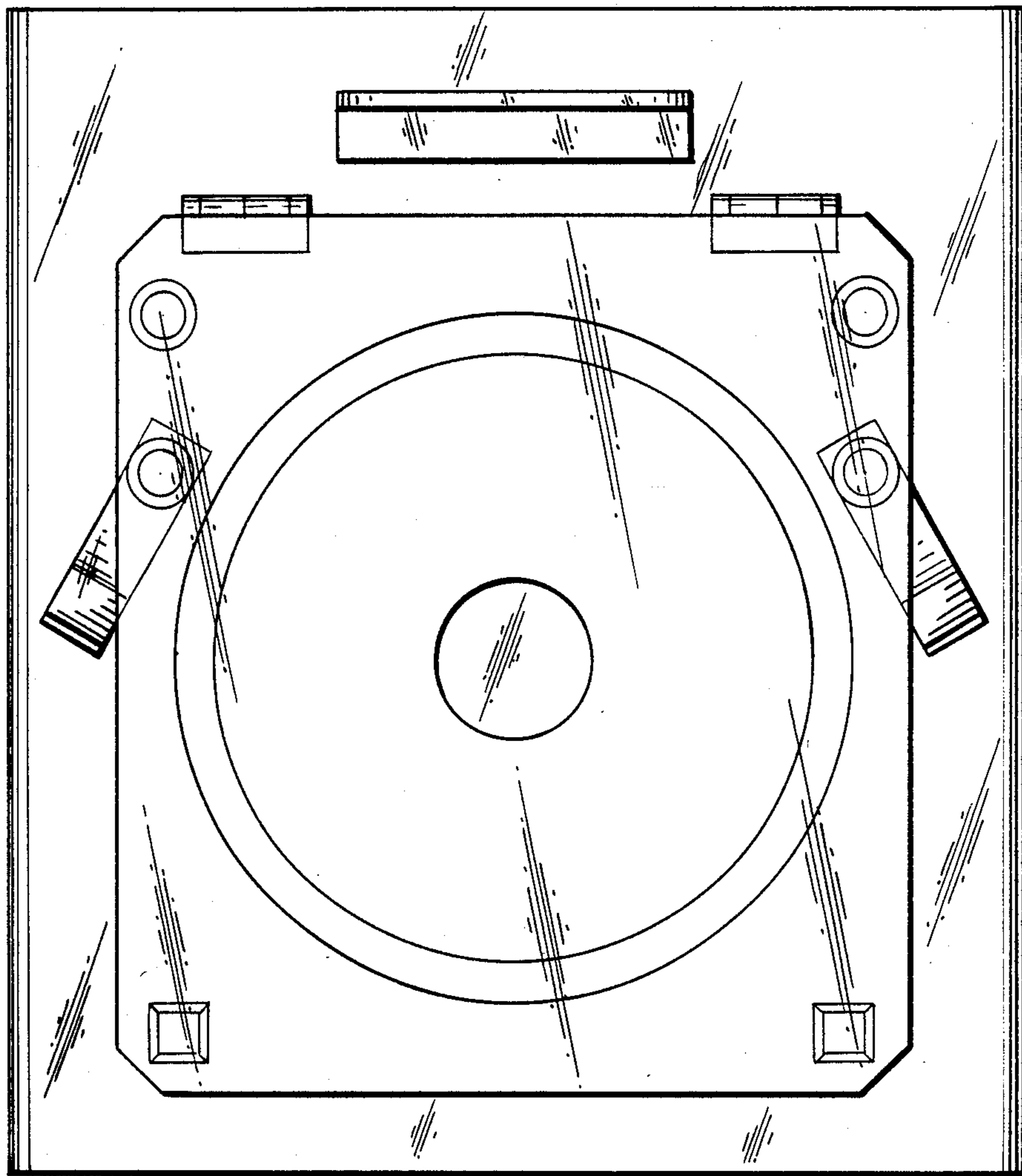
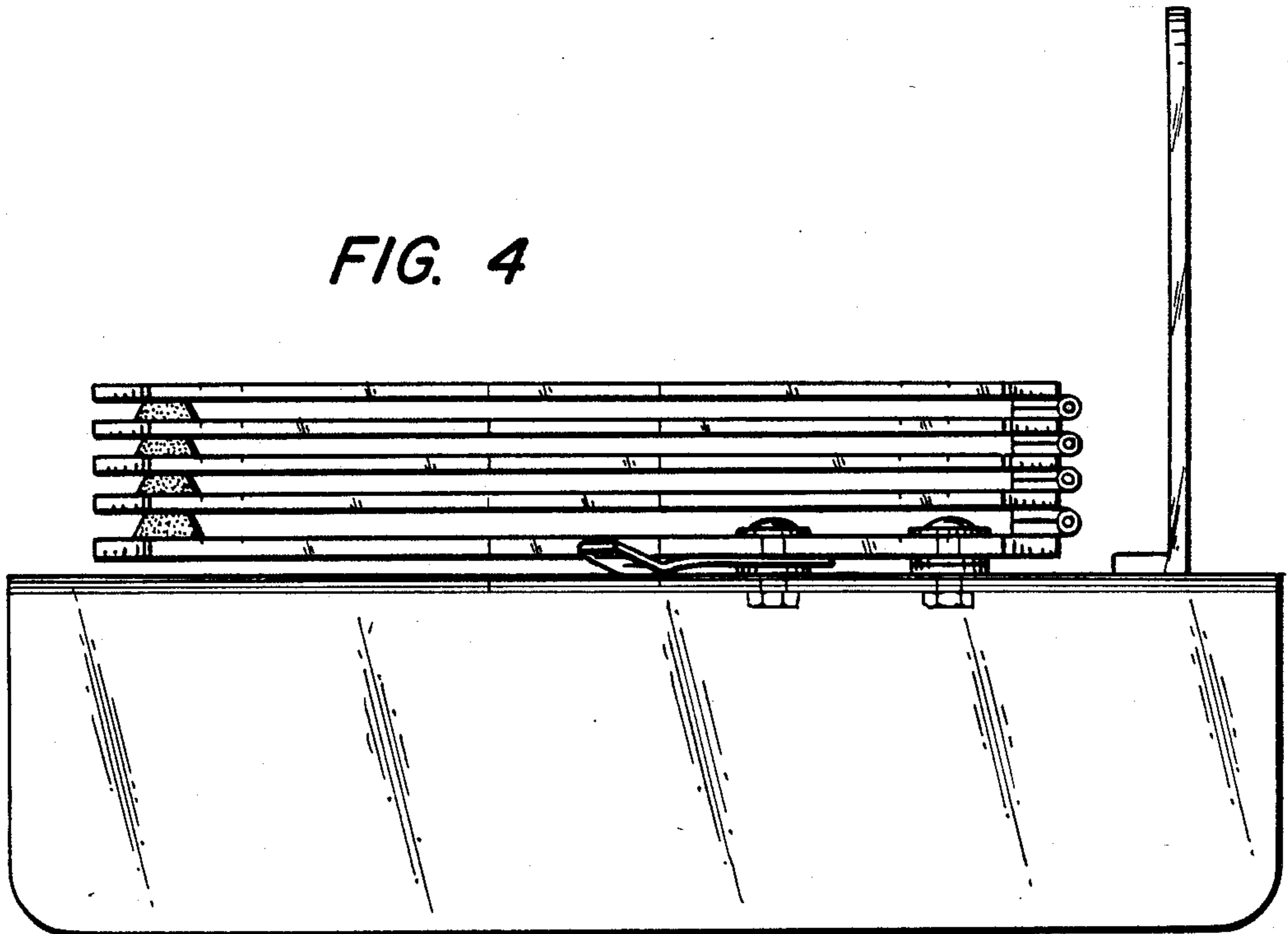


FIG. 4



UNITED STATES PATENT AND TRADEMARK OFFICE
CERTIFICATE OF CORRECTION

Page 1 of 2

PATENT NO. : Des. 306,451

DATED : Mar. 6, 1990

INVENTOR(S) : Giovanni Proia

It is certified that error appears in the above-identified patent and that said Letters Patent is hereby corrected as shown below:

Third sheet of drawings depicting FIGS. 5
and 6 added as per attached.

**Signed and Sealed this
Thirteenth Day of August, 1991**

Attest:

HARRY F. MANBECK, JR.

Attesting Officer

Commissioner of Patents and Trademarks

FIG. 5

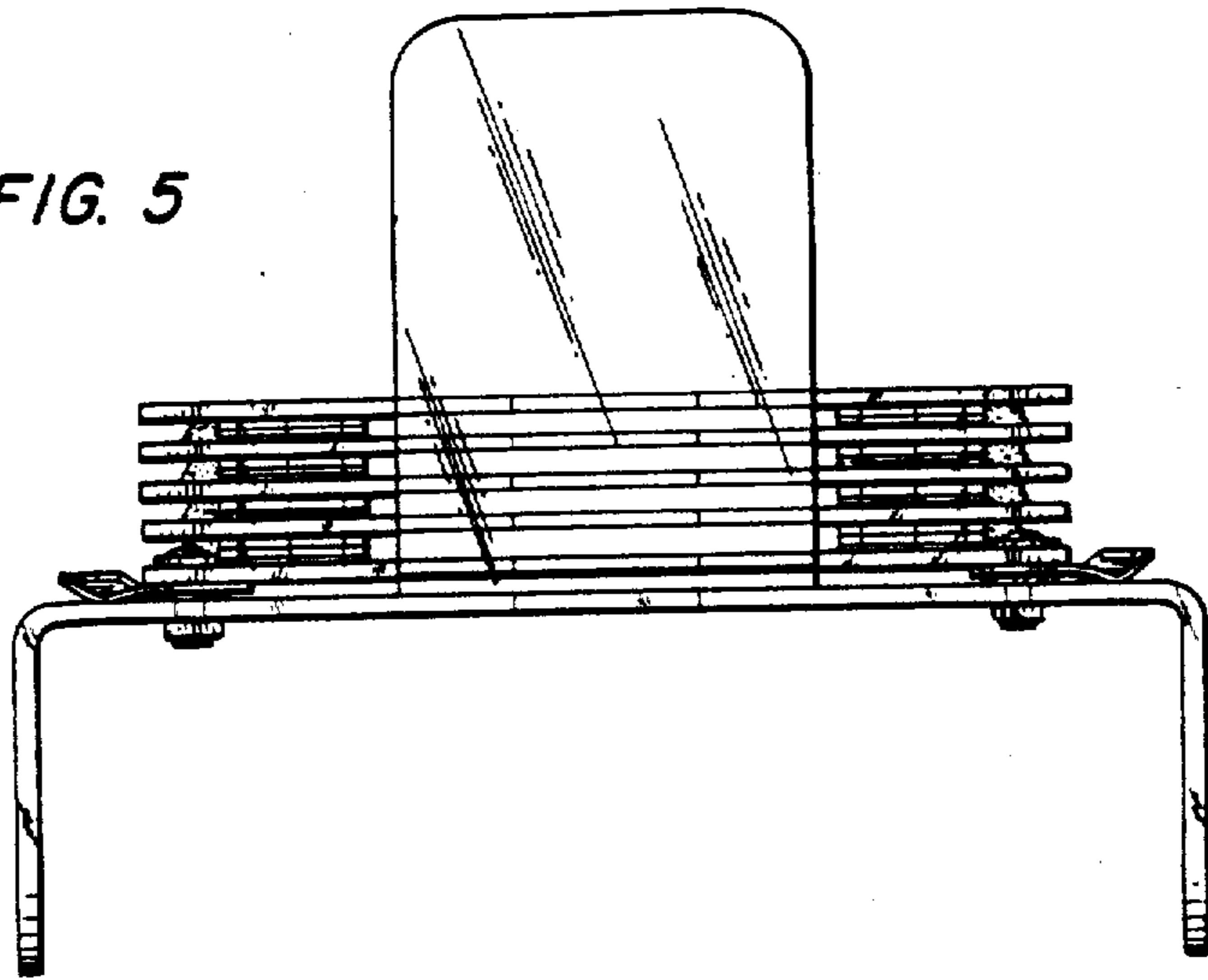


FIG. 6

