

[54] **AQUARIUM AIR PUMP**

[75] **Inventor: Gaad Shannon, Westmount, Canada**

[73] **Assignee: Rolf C. Hagen (USA) Corp.,  
Mansfield, Mass.**

[\*\*] **Term: 14 Years**

[21] **Appl. No.: 234,840**

[22] **Filed: Aug. 22, 1988**

[52] **U.S. Cl. .... D15/8**

[58] **Field of Search ..... D15/8, 7, 9; 417/413,  
417/424.1, 424.2, 234, 236, 321, 572; 210/416.2,  
169**

[56] **References Cited**

**U.S. PATENT DOCUMENTS**

D. 198,066	4/1964	Jemison et al. ....	D15/7
D. 294,359	2/1988	Tsai .....	D15/8
D. 294,360	2/1988	Levin .....	D15/8
D. 300,433	3/1989	Byar et al. ....	D15/9

*Primary Examiner*—A. Hugo Word  
*Assistant Examiner*—Doris V. Coles  
*Attorney, Agent, or Firm*—Wolf, Greenfield & Sacks

[57] **CLAIM**

The ornamental design for an aquarium air pump, as shown and described.

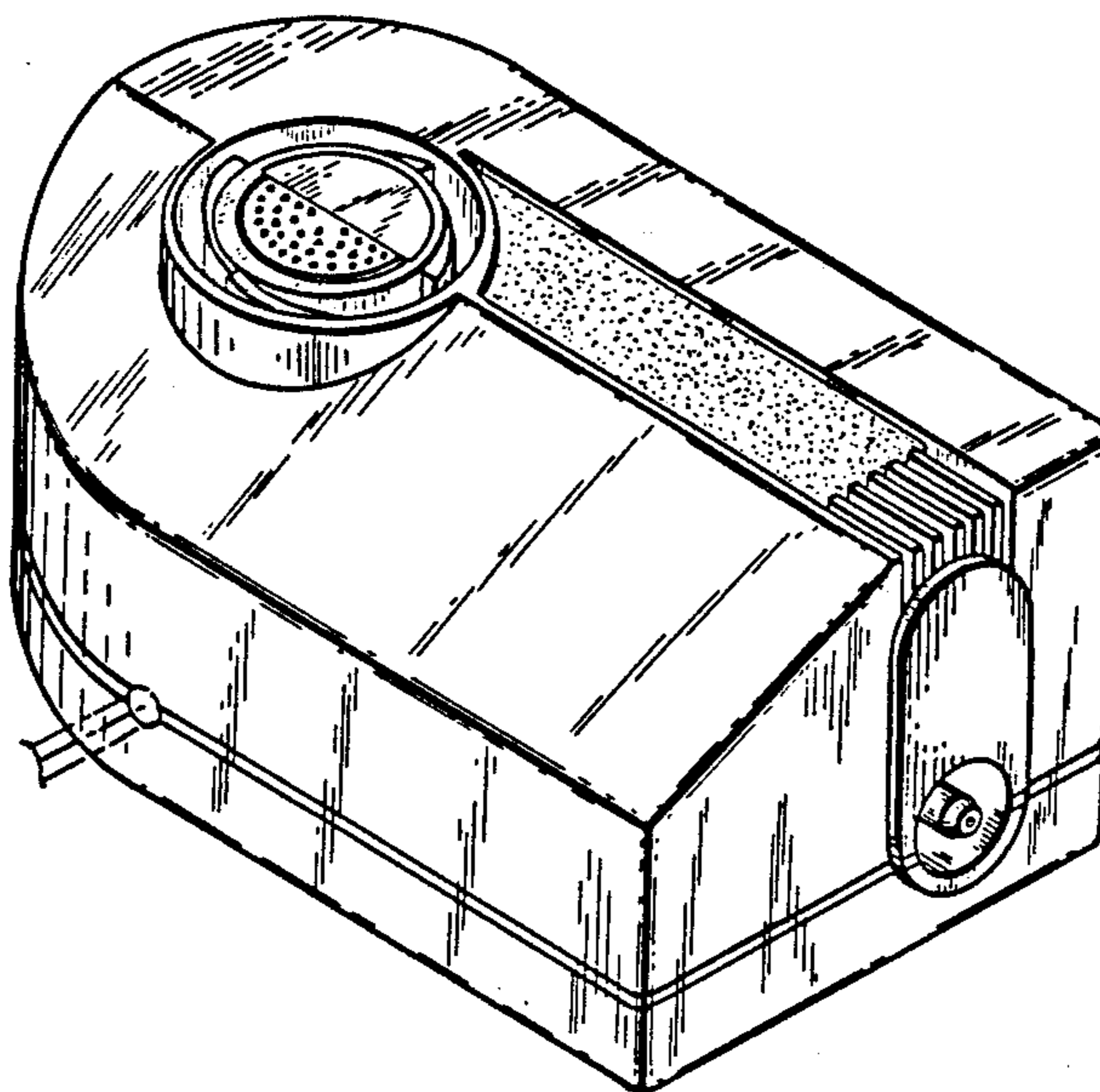
**DESCRIPTION**

FIG. 1 is a perspective view of one embodiment of an aquarium air pump showing my new design; FIG. 2 is a top plan view thereof; FIG. 3 is a left end elevational view thereof; FIG. 4 is a right end elevational view thereof; FIG. 5 is a front elevational view thereof; FIG. 6 is a rear elevational view thereof.

FIG. 7 is a bottom plan view thereof; FIG. 8 is a perspective view of a second embodiment of an aquarium air pump showing my new design; FIG. 9 is a perspective view of a third embodiment of an aquarium air pump showing my new design; and FIG. 10 is a perspective view of a fourth embodiment of an aquarium air pump showing my new design.

The left end, rear elevation and bottom plan views of the embodiments of FIGS. 8-10 are essentially the same as the corresponding views of the first embodiment shown in FIGS. 3, 6 and 7, respectively.

The broken line showing of a cord in FIGS. 1, 2, 3, 4, 5 and 7 is for illustrative purposes only and forms no part of the claimed design.



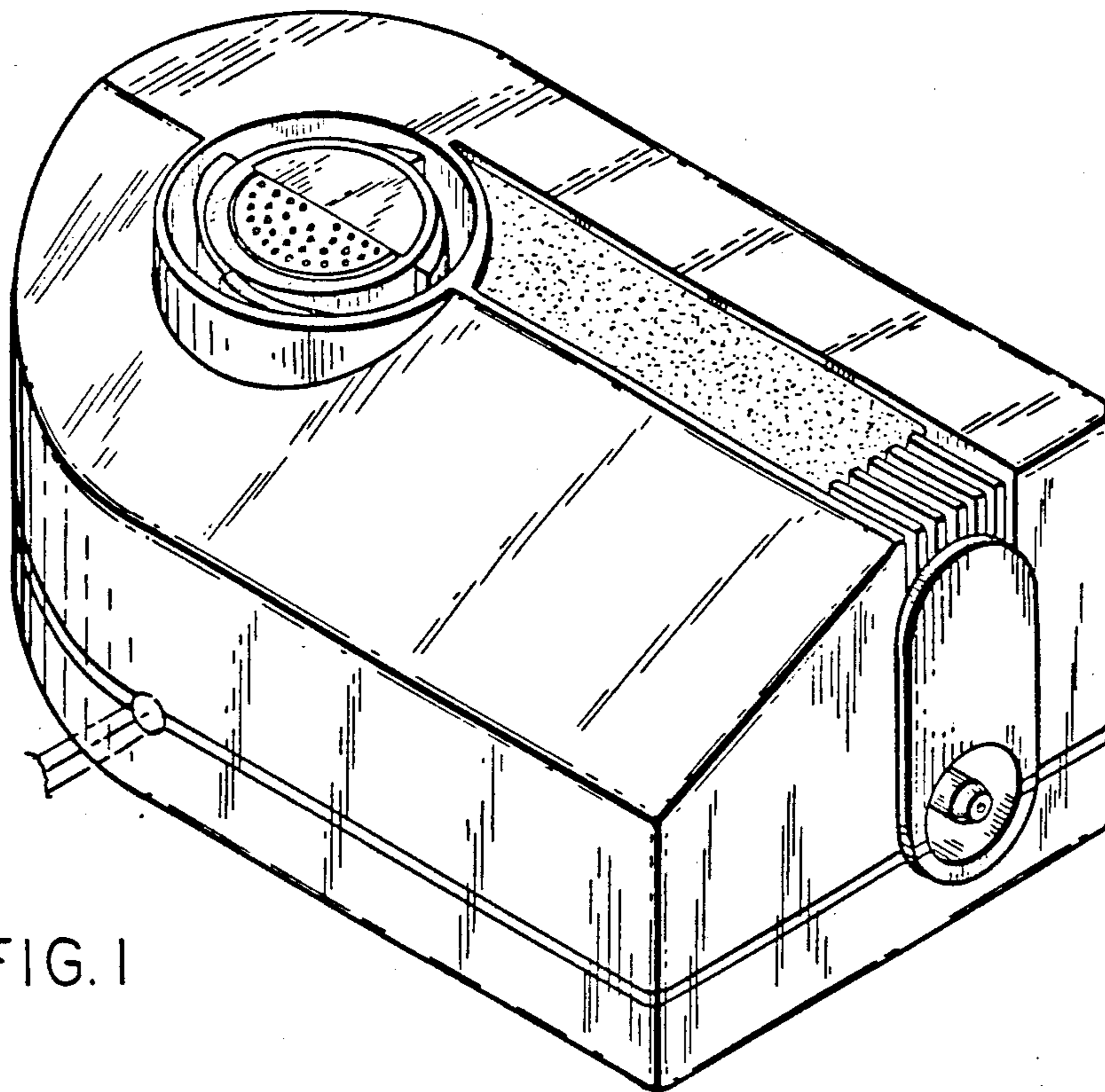


FIG. 1

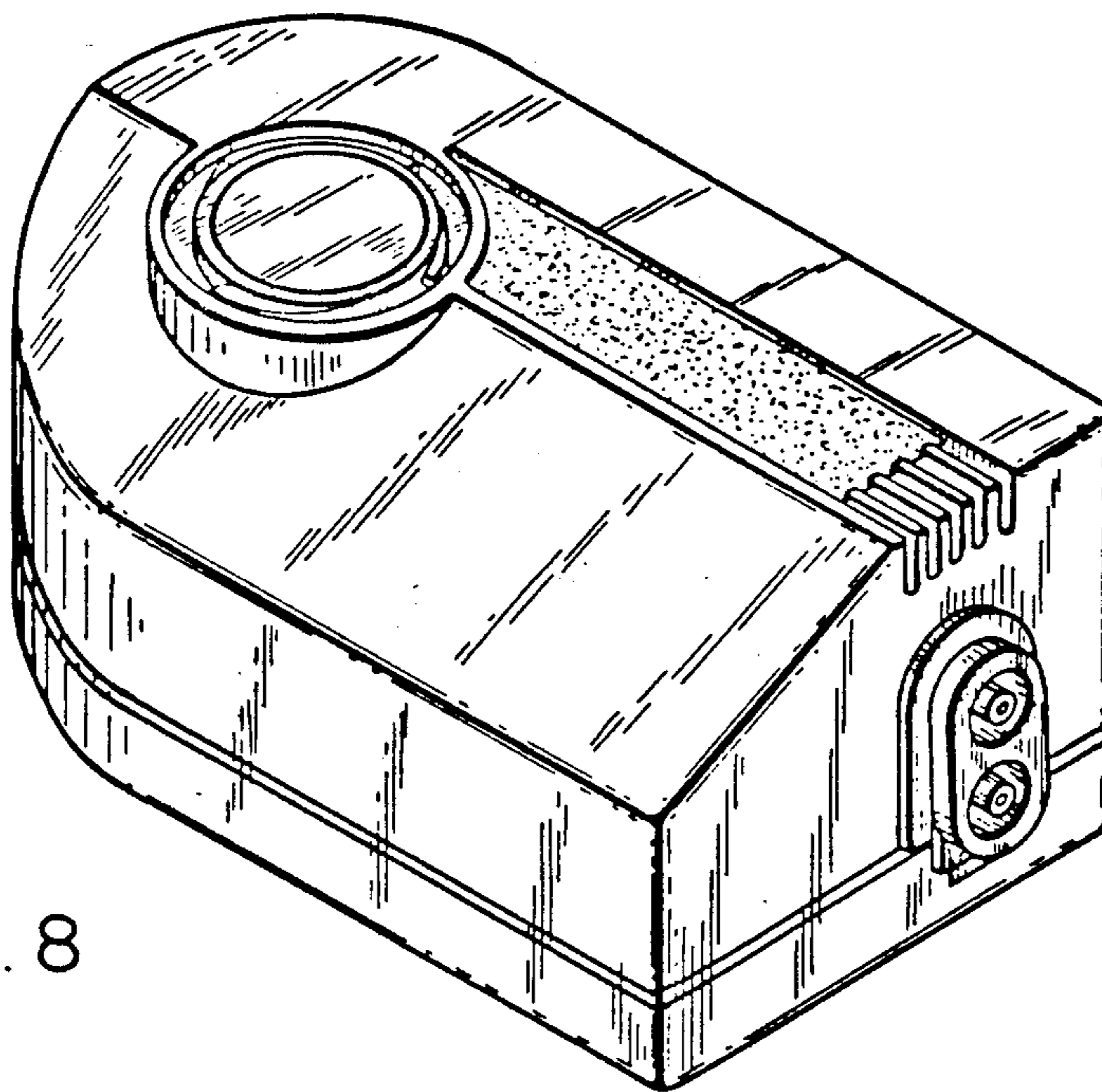


FIG. 8

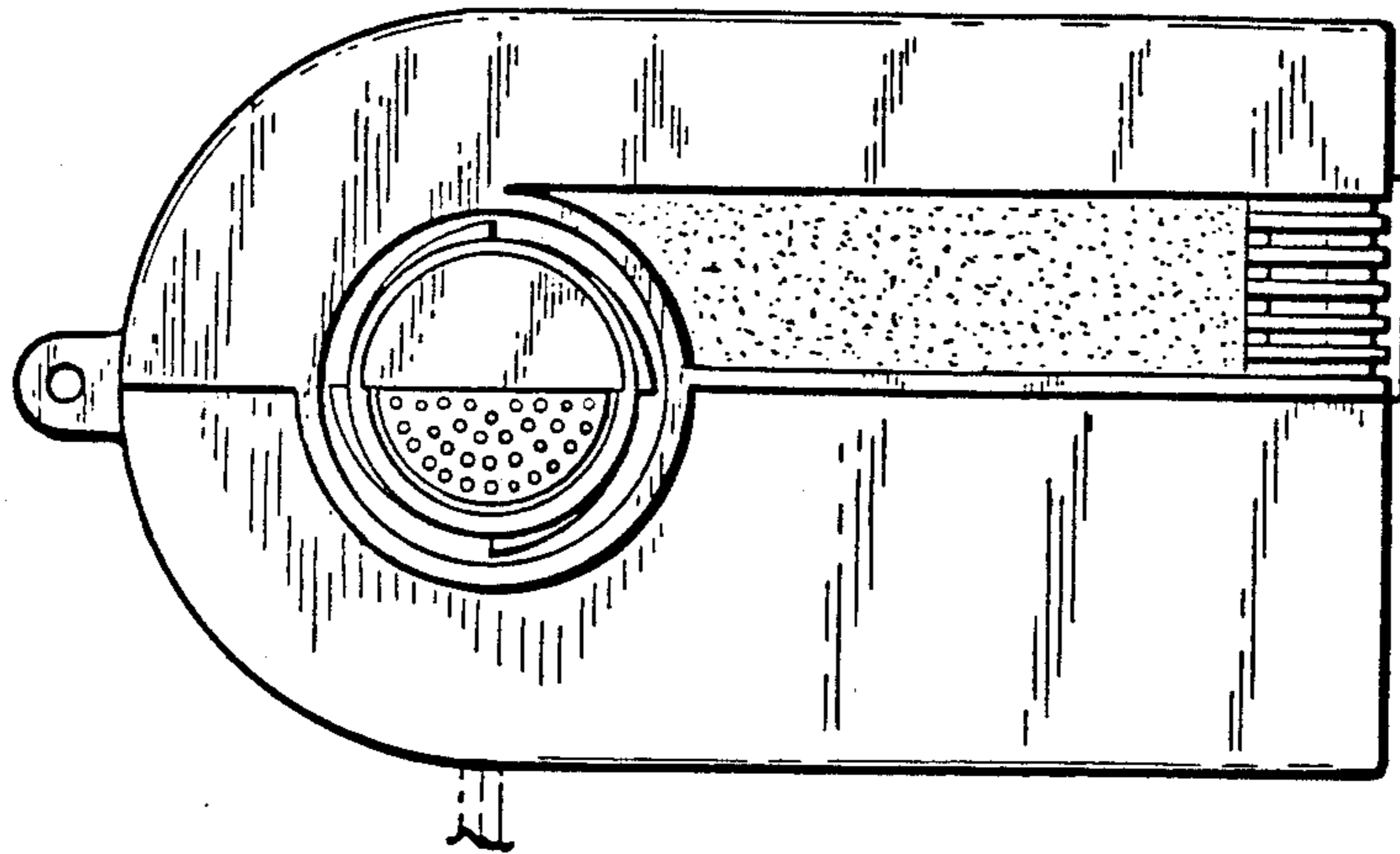


FIG. 2

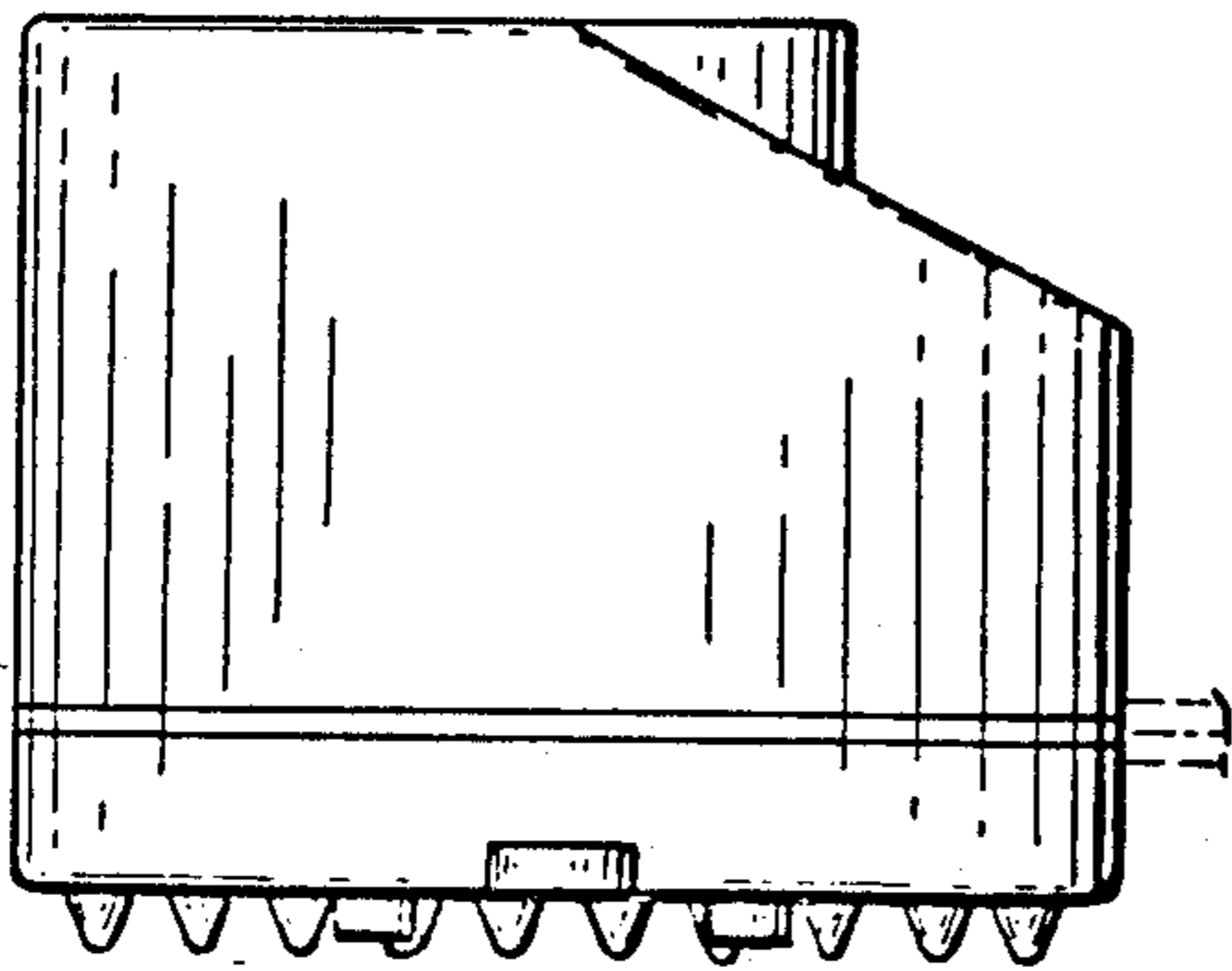


FIG. 3

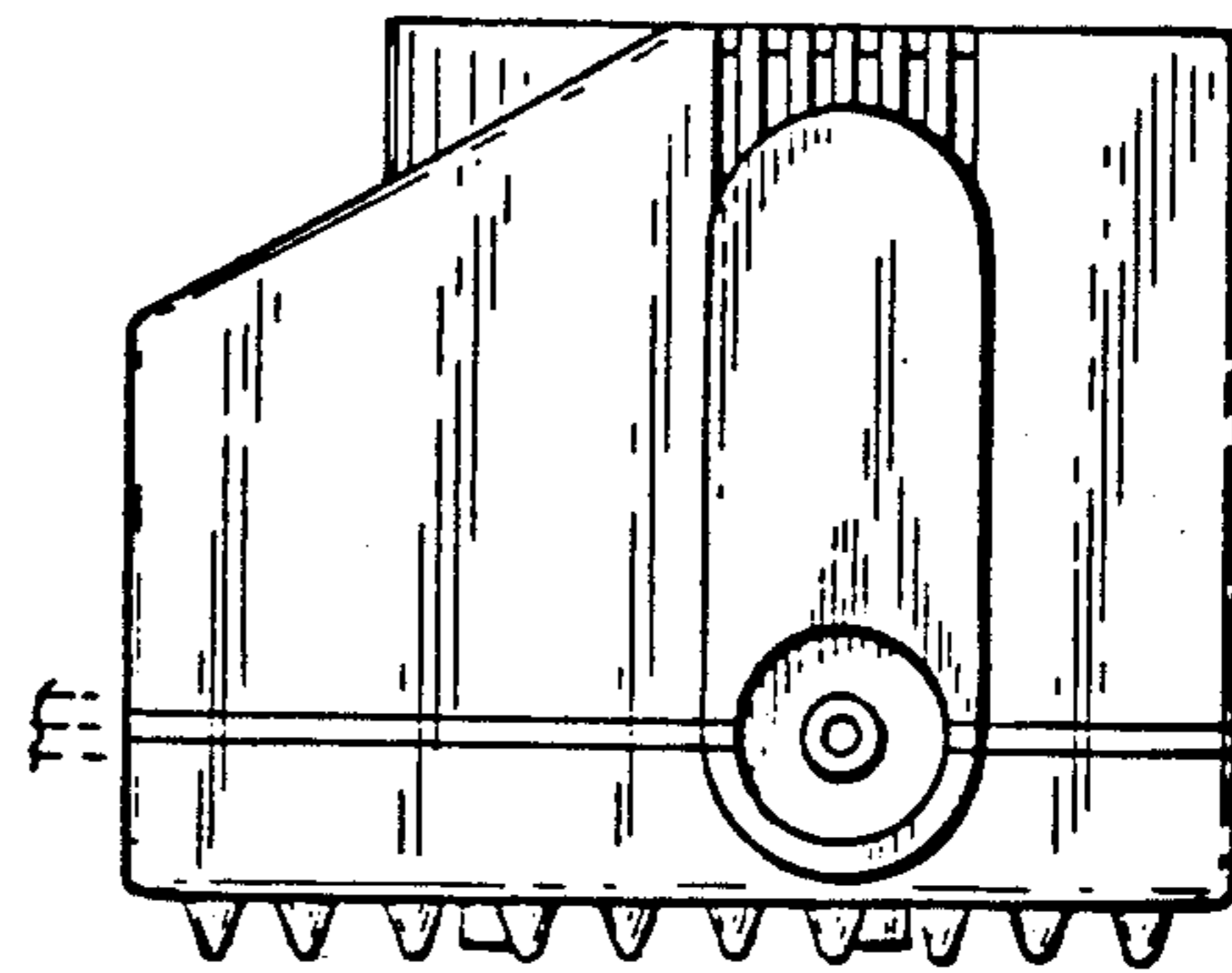


FIG. 4

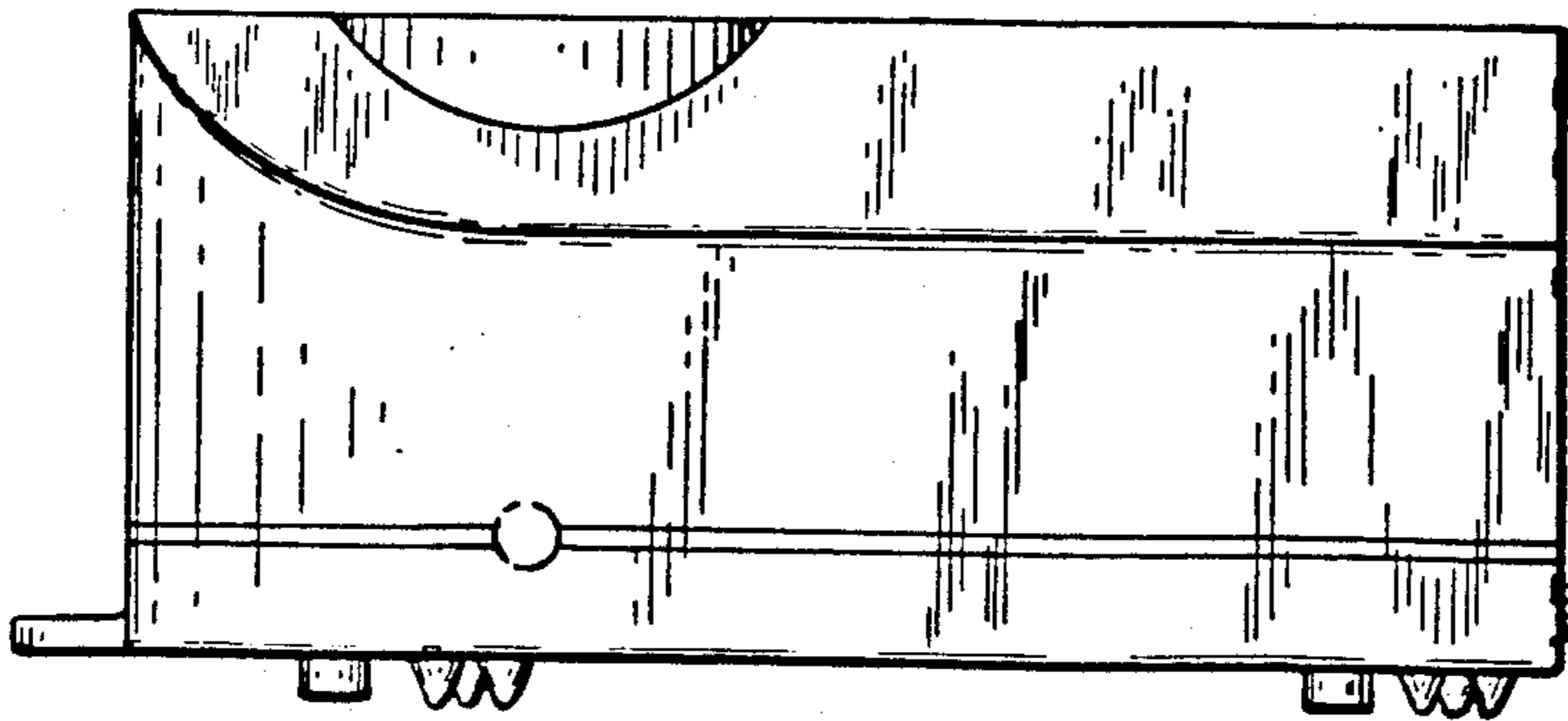


FIG. 5

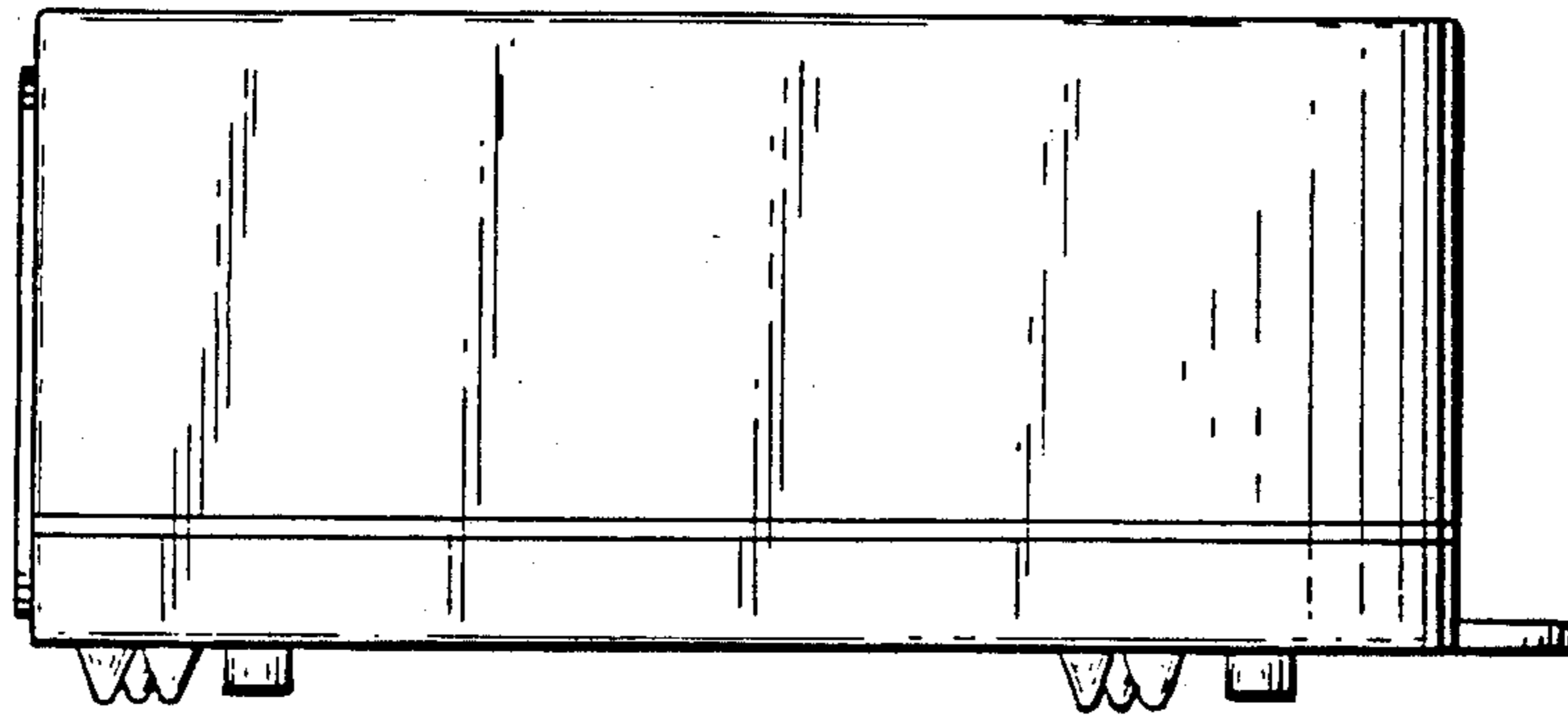


FIG. 6

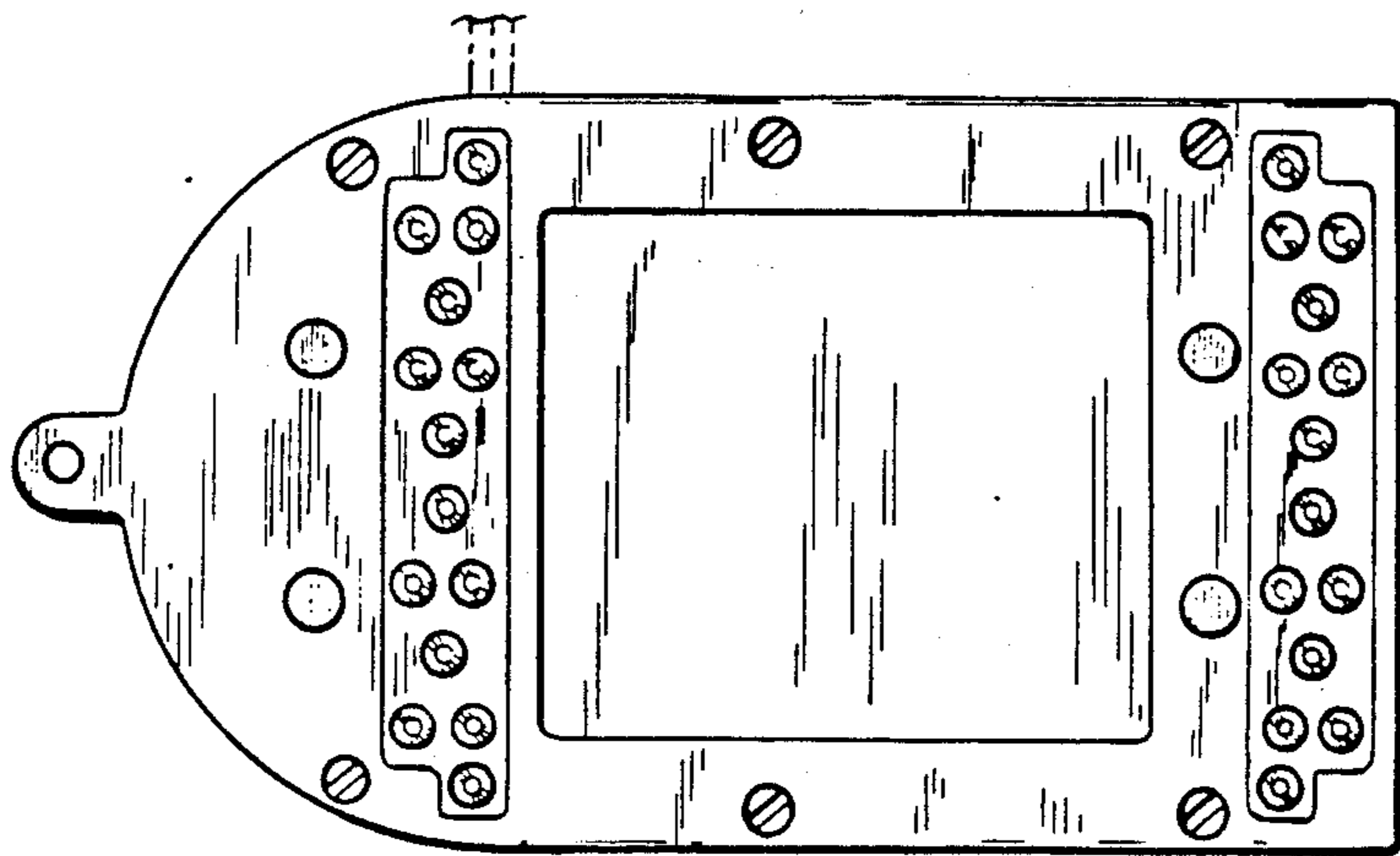


FIG. 7

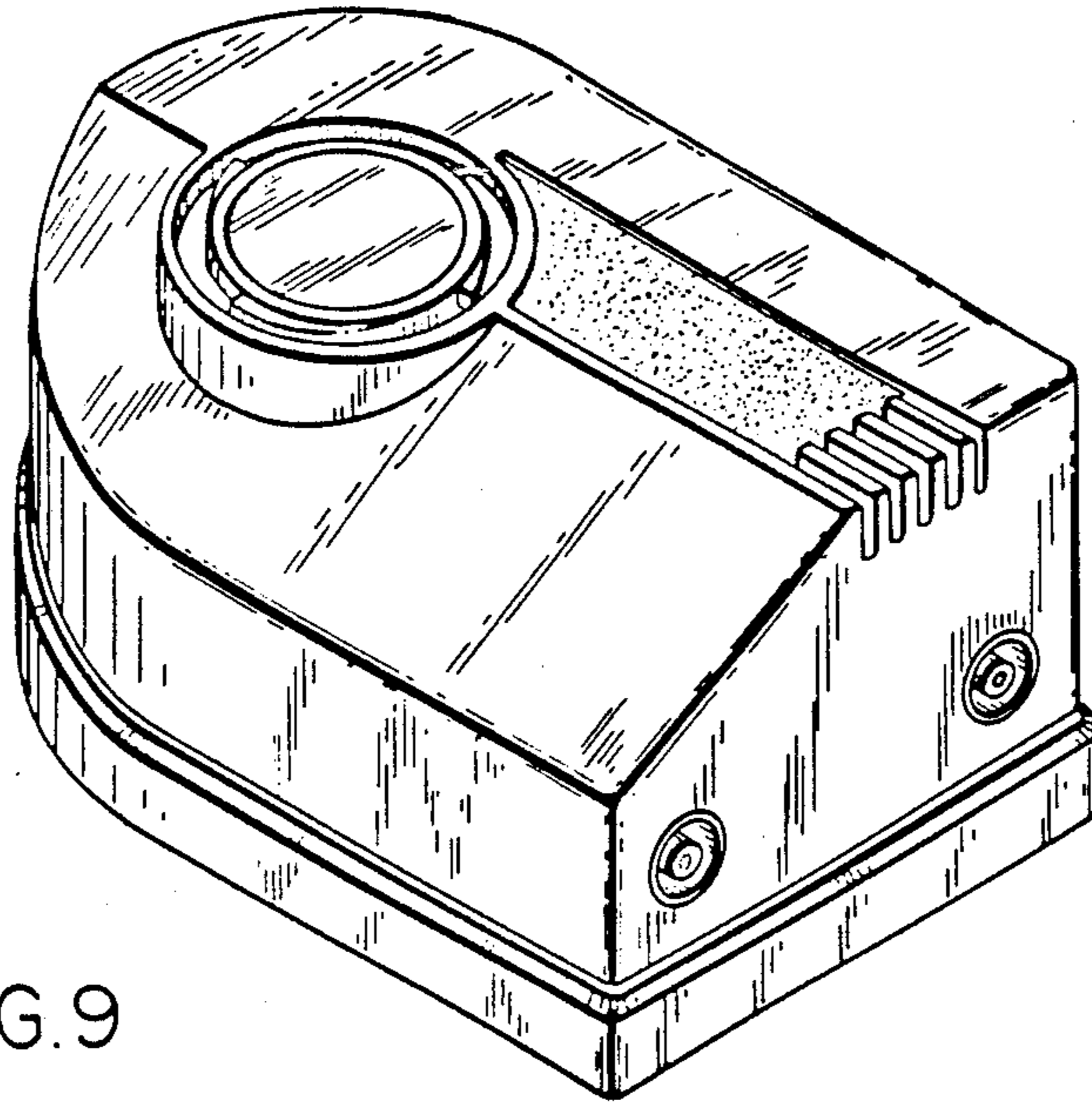


FIG. 9

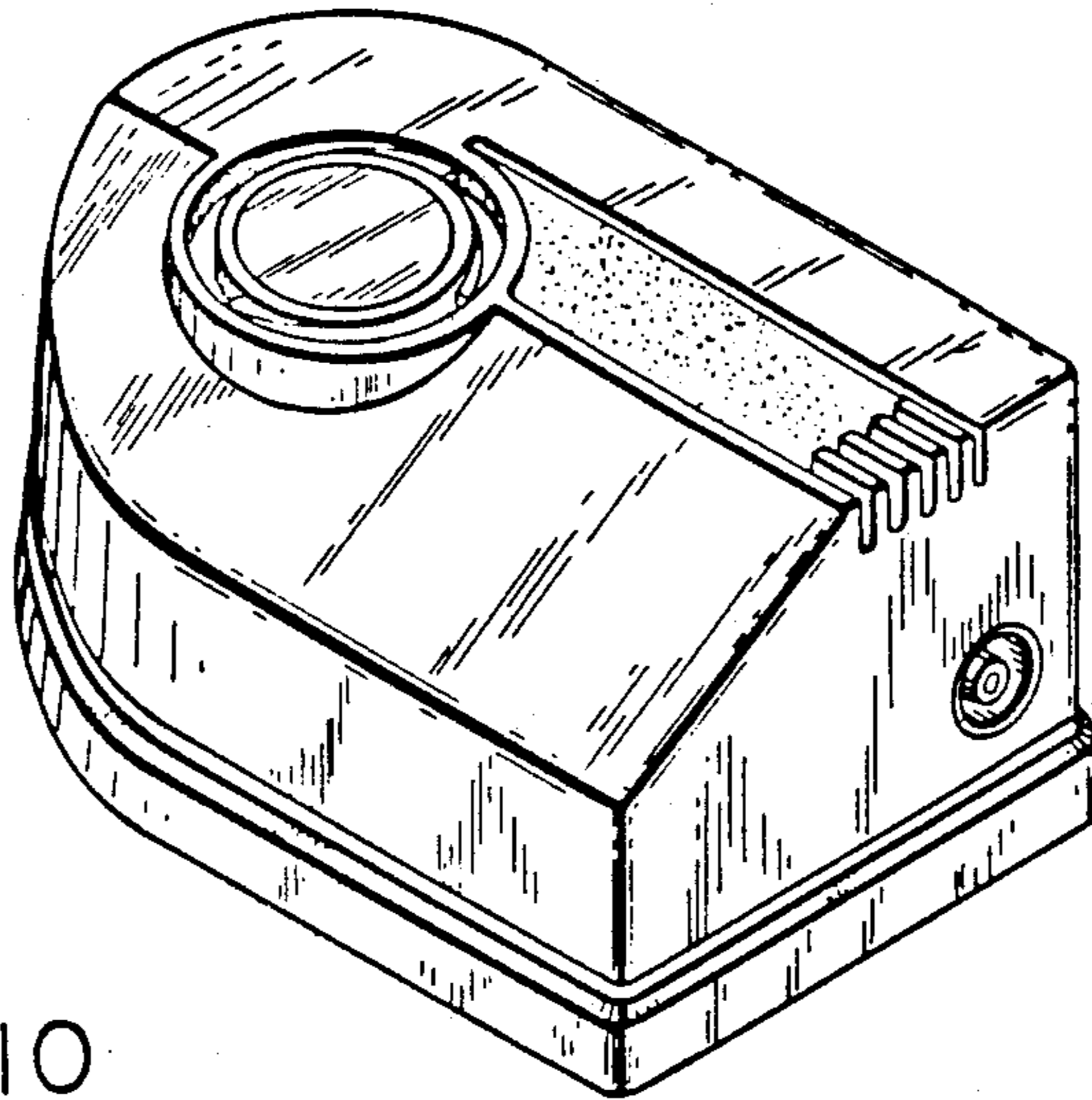


FIG. 10