

[54] PUMP

[75] Inventor: Hans-Jürgen Lannoch,  
Linkenheim-Hochstetten, Fed. Rep.  
of Germany

[73] Assignee: ProMinent Dosiertechnik GmbH,  
Heidelberg, Fed. Rep. of Germany

[\*\*] Term: 14 Years

[21] Appl. No.: 138,683

[22] Filed: Dec. 28, 1987

[30] Foreign Application Priority Data

Jun. 30, 1987 [DE] Fed. Rep. of Germany ..... 42 AR  
258/87

[52] U.S. Cl. .... D15/7

[58] Field of Search ..... D15/7, 9; 417/234-235,  
417/48, 321, 572, 424

[56] References Cited

U.S. PATENT DOCUMENTS

D. 262,113 12/1981 Durrum ..... D15/7

D. 288,325 2/1987 Davis et al. .... D15/7  
D. 299,143 12/1988 Hazlehurst ..... D15/7  
4,098,557 3/1985 Claunch et al. .... 417/424 X

Primary Examiner—Wallace R. Burke  
Assistant Examiner—Brian N. Vinson  
Attorney, Agent, or Firm—Peter K. Kontler

[57] CLAIM

The ornamental design for a pump, as shown and described.

DESCRIPTION

FIG. 1 is a right side elevational view of a pump showing my new design, the left side being a mirror image of that shown;

FIG. 2 is a rear elevational view thereof;

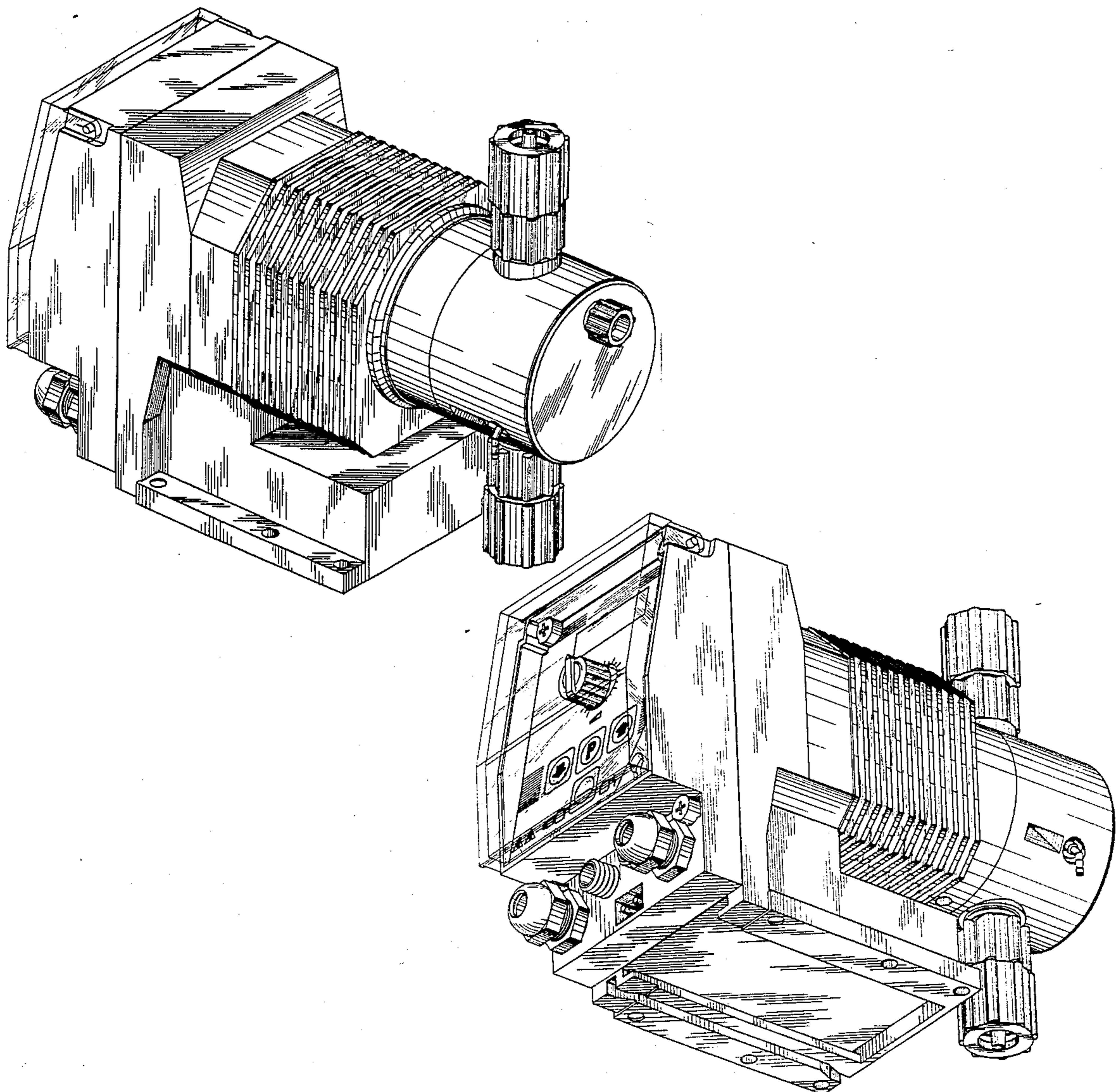
FIG. 3 is a front elevational view thereof;

FIG. 4 is a bottom plan view thereof;

FIG. 5 is a top plan view thereof;

FIG. 6 is a top, rear and right side perspective view thereof; and

FIG. 7 is a bottom, front and right side perspective view thereof.



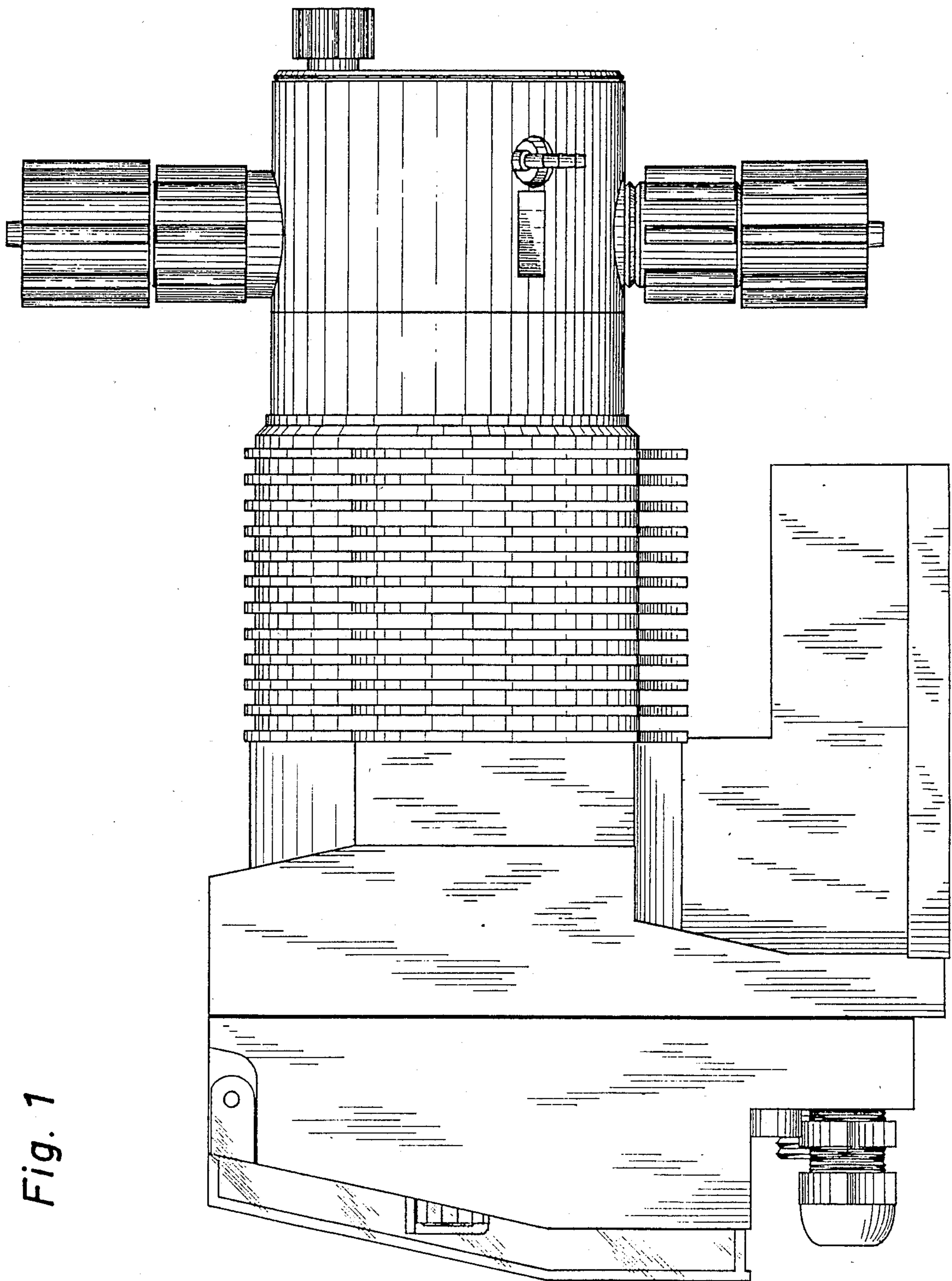


Fig. 1

Fig. 2

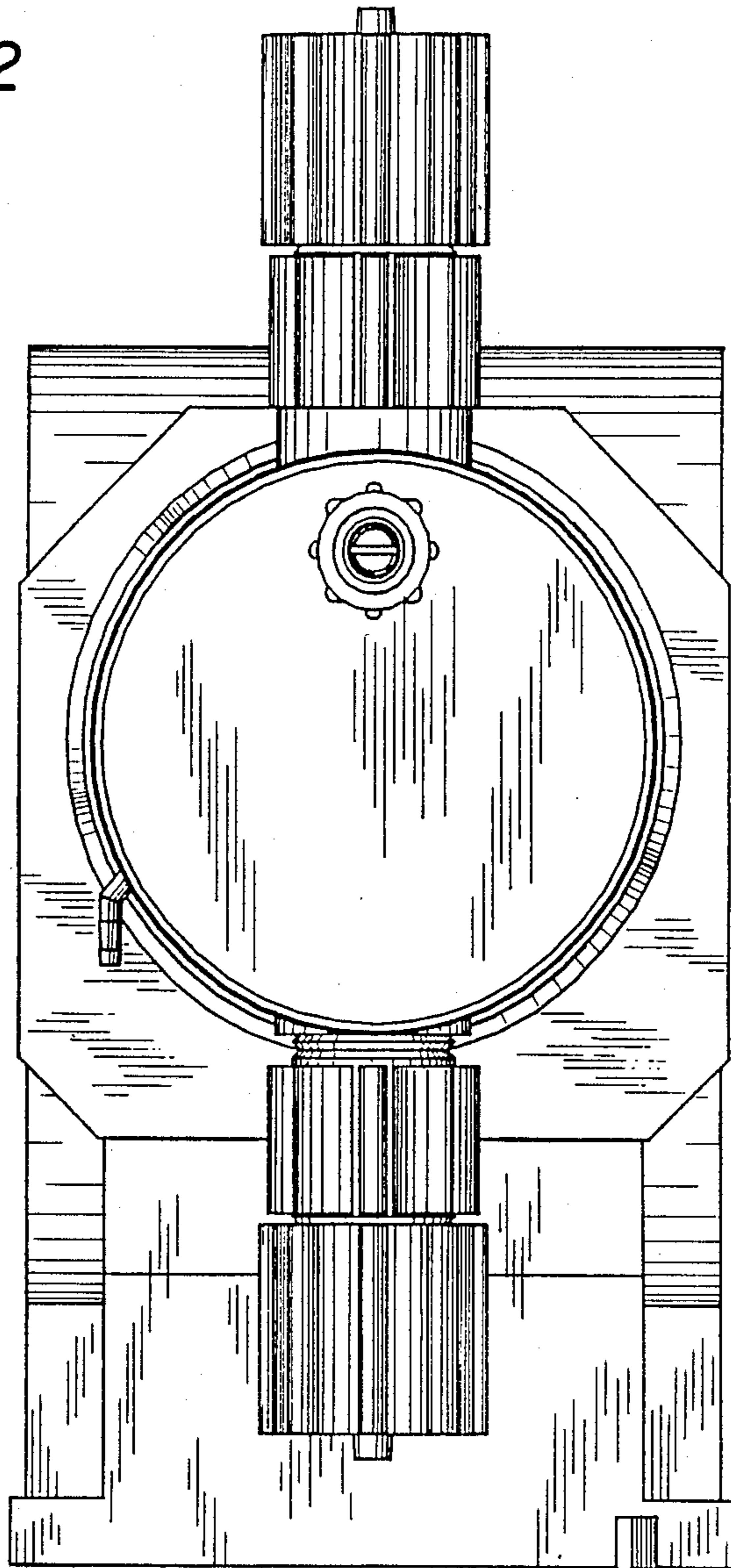
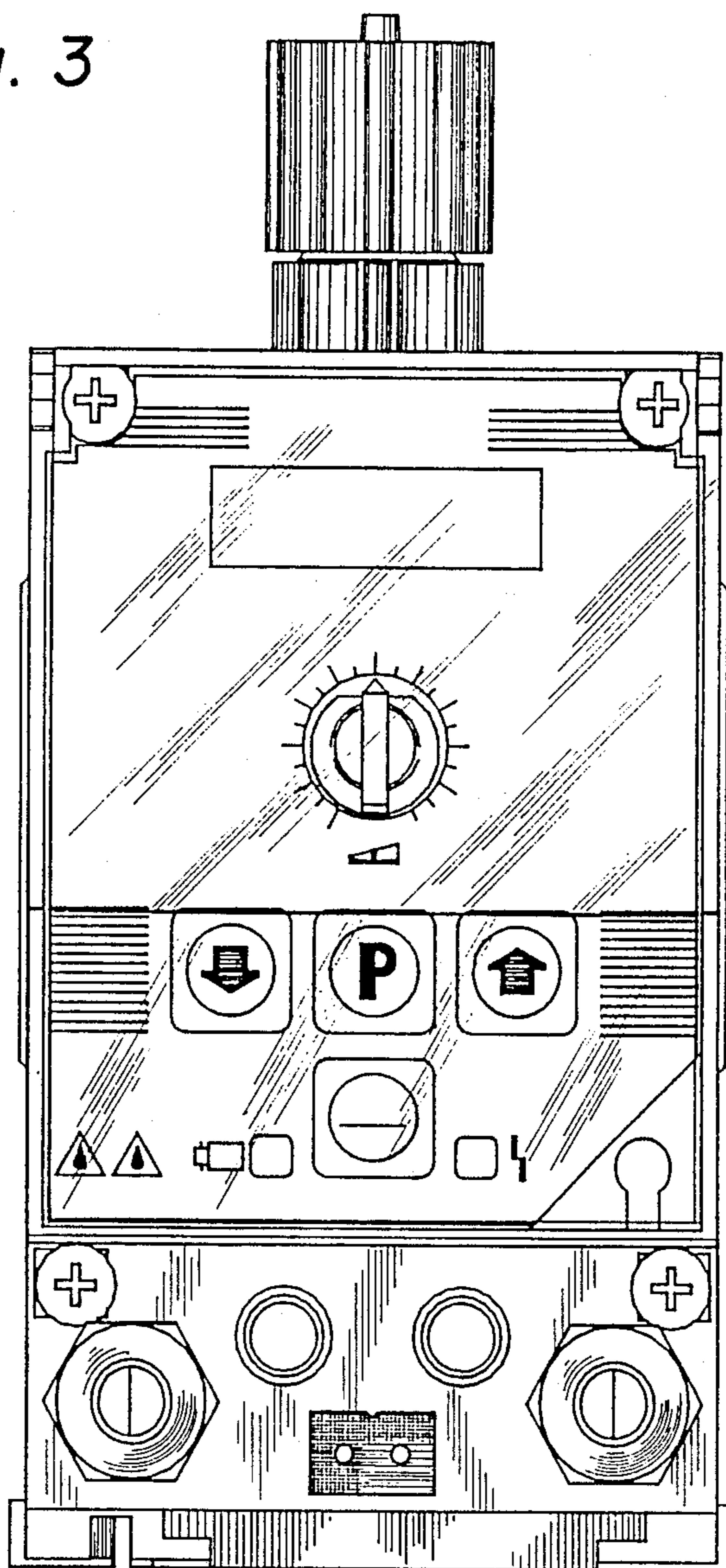




Fig. 3



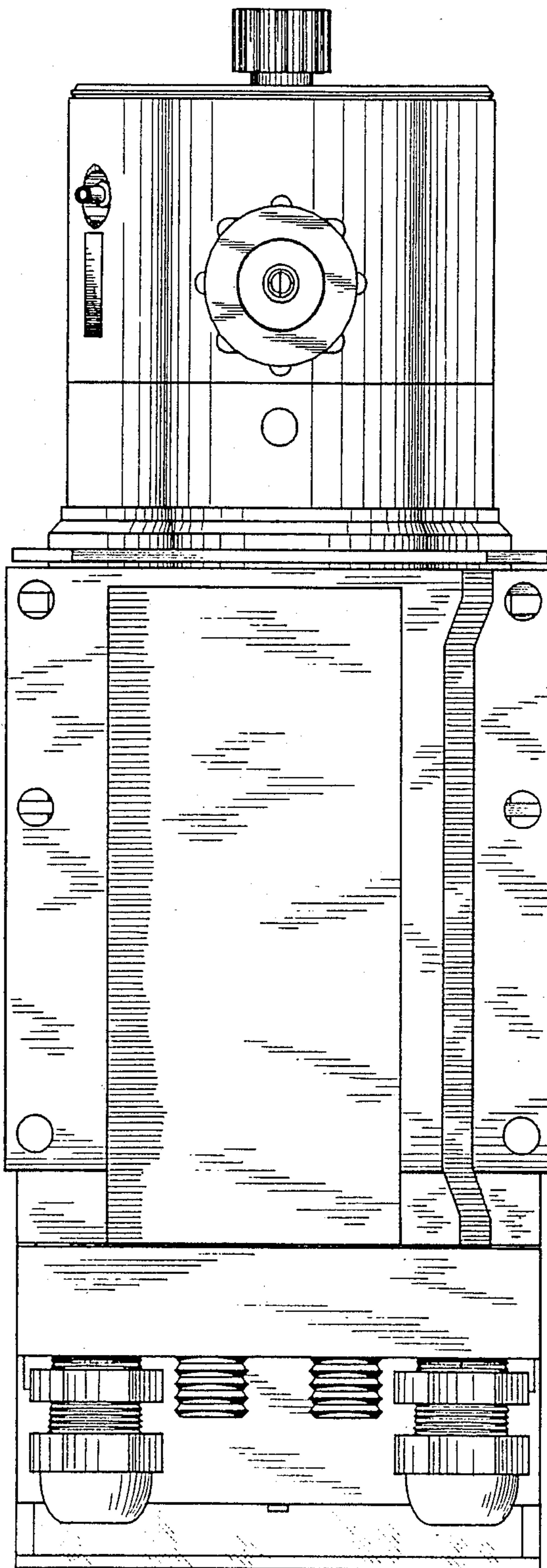


Fig. 4

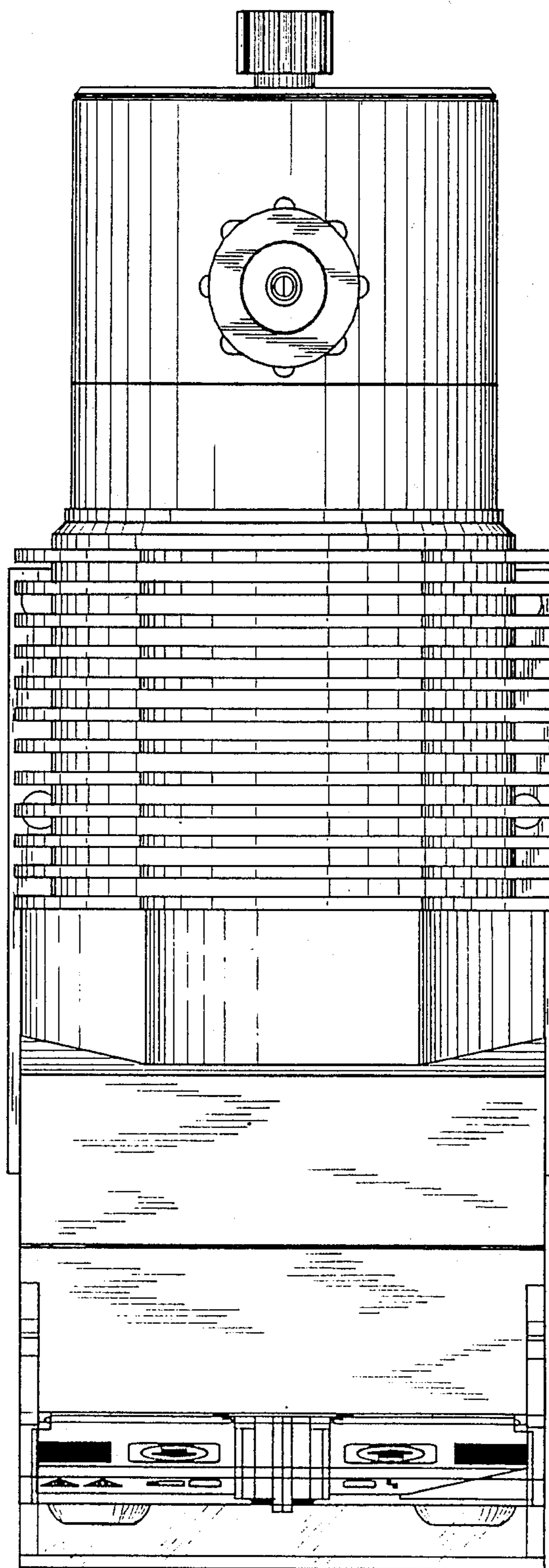


Fig. 5



Fig. 6

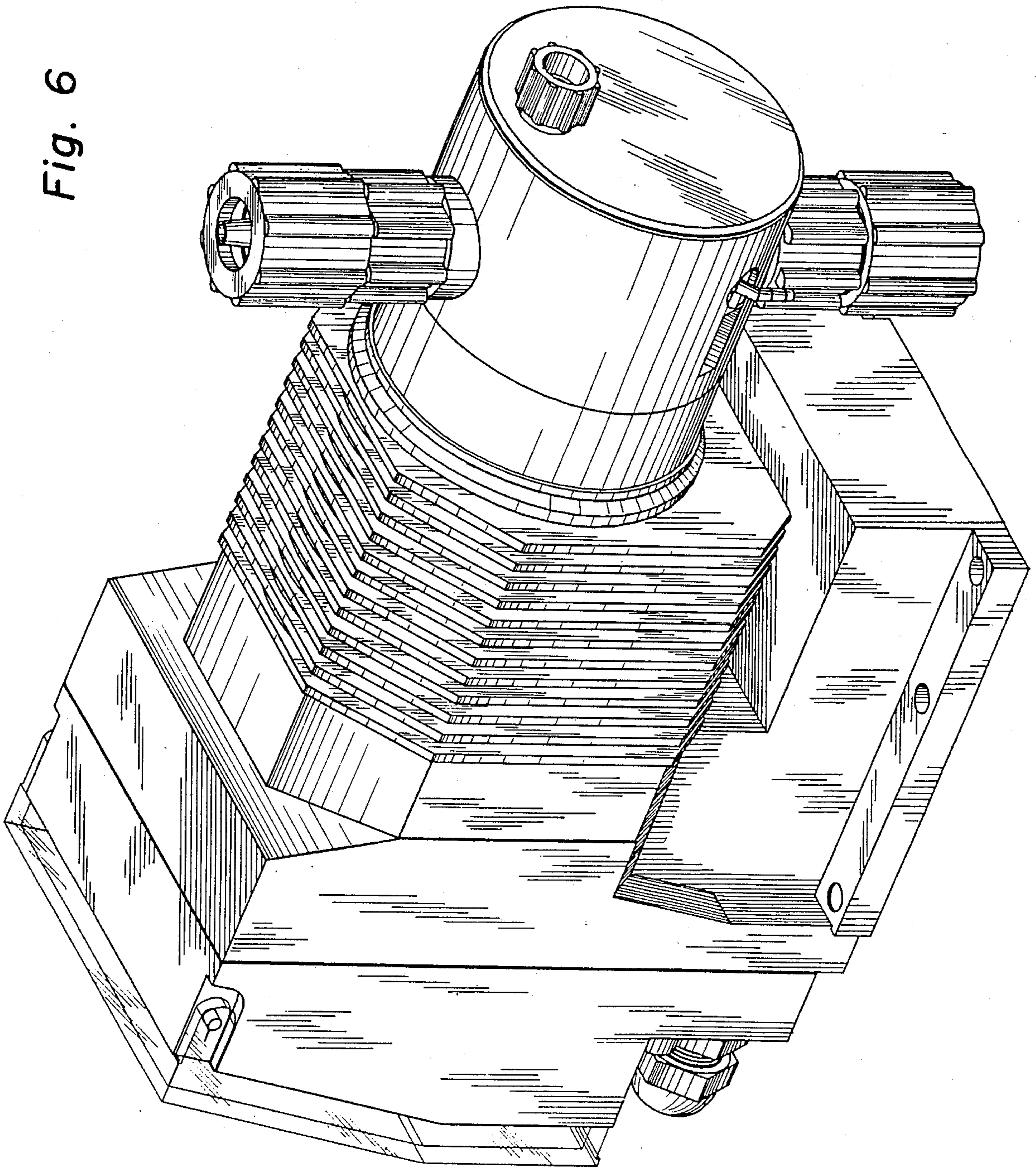


Fig. 7

