

[54] **BILGE PUMP**

[75] **Inventor:** Warwick M. Whitley, II, Panama City, Fla.  
[73] **Assignee:** Attwood Corporation, Lowell, Mich.  
[\*\*] **Term:** 14 Years  
[21] **Appl. No.:** 238,151  
[22] **Filed:** Aug. 29, 1988  
[52] **U.S. Cl.** ..... D15/7  
[58] **Field of Search** ..... D15/7; 417/423.2, 423.3, 417/423.14, 360, 361, 40, 424.1; D32/21

Pp. 7, 8, 9 and 10 from Attwood Product Catalog 1985-1986.  
Pp. 17, 18 19 and 20 from Attwood Product Catalog 1987-1988.  
*Primary Examiner*—A. Hugo Word  
*Assistant Examiner*—Doris V. Coles  
*Attorney, Agent, or Firm*—Price, Heneveld, Cooper, DeWitt & Litton

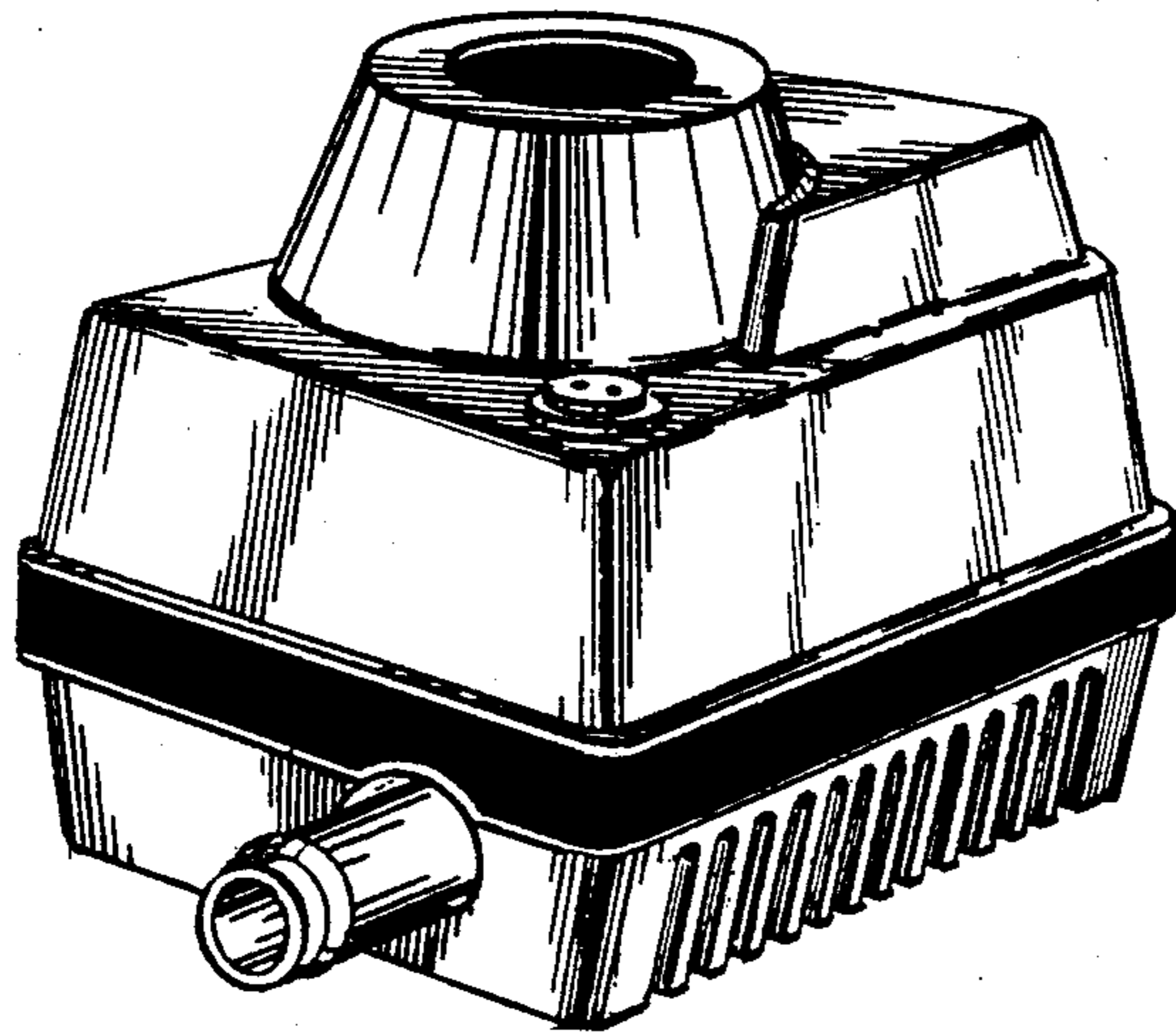
[57] **CLAIM**

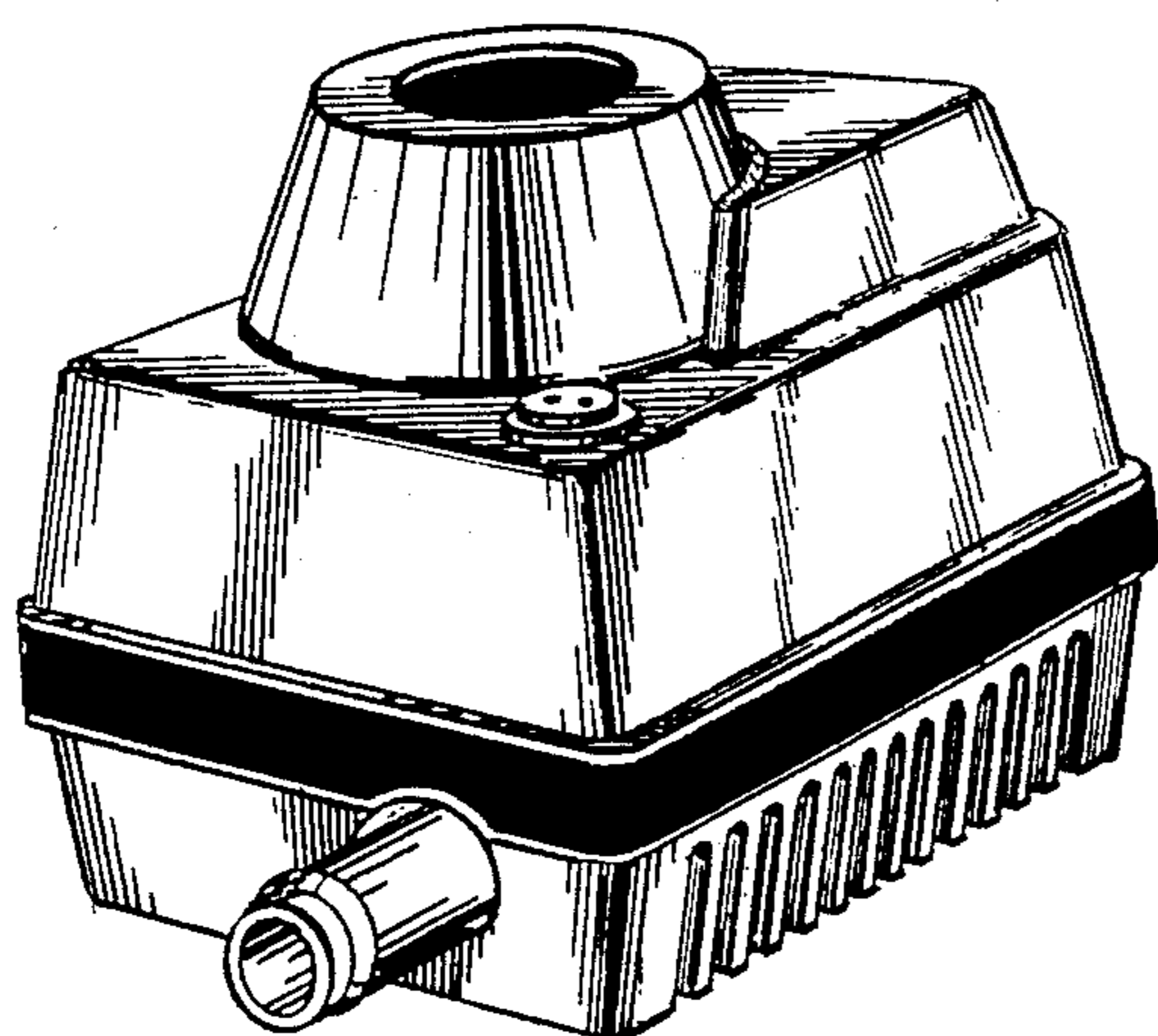
The ornamental design for a bilge pump, as shown and described.

**DESCRIPTION**

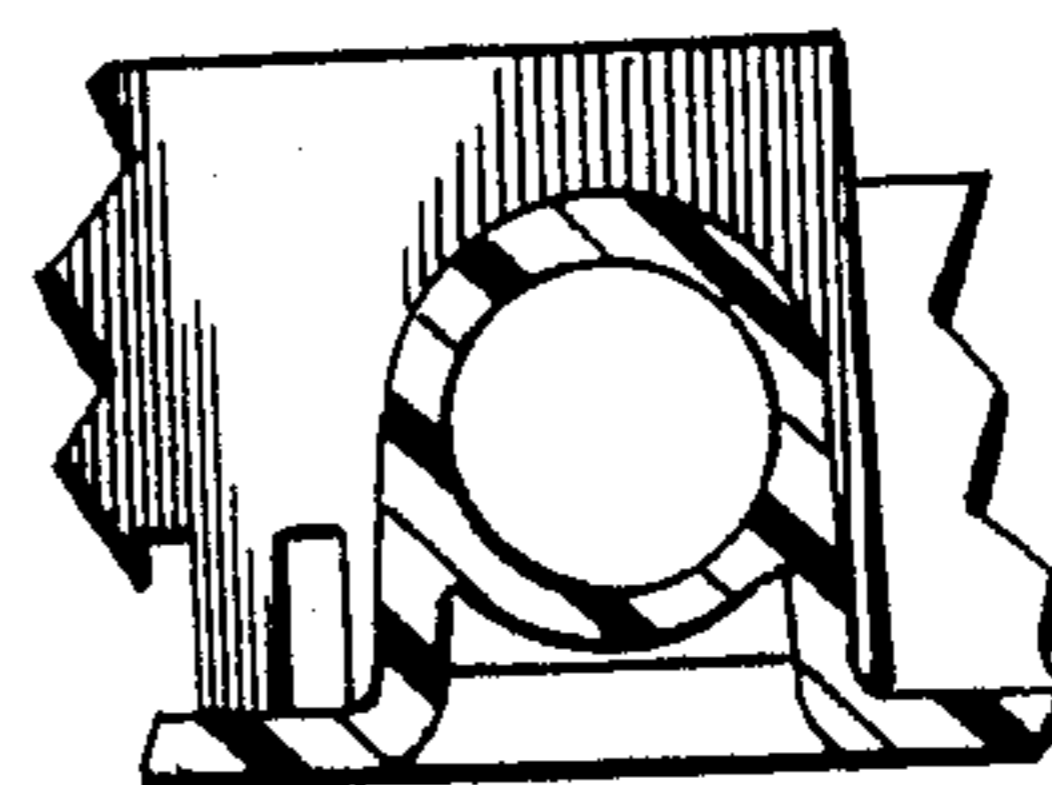
FIG. 1 is a side, perspective view of a bilge pump showing my new design;  
FIG. 2 is a side elevational view of one side thereof;  
FIG. 3 is a side elevational view of the other side thereof;  
FIG. 4 is a front elevational view thereof;  
FIG. 5 is a rear elevational view thereof;  
FIG. 6 is a top plan view thereof;  
FIG. 7 is a bottom plan view thereof; and  
FIG. 8 is a partial, cross-sectional view taken along the plane VIII—VIII of FIG. 7.

[56] **References Cited**  
**U.S. PATENT DOCUMENTS**  
D. 251,787 5/1979 Nauta ..... D32/21  
D. 289,051 3/1987 Belletire ..... D15/7  
3,316,845 5/1967 Schumann ..... 417/40  
4,275,995 6/1981 Taylor ..... 417/360 X  
**OTHER PUBLICATIONS**  
Pp. 4, 5 and 6 from Attwood Product Catalog 1983-1984.

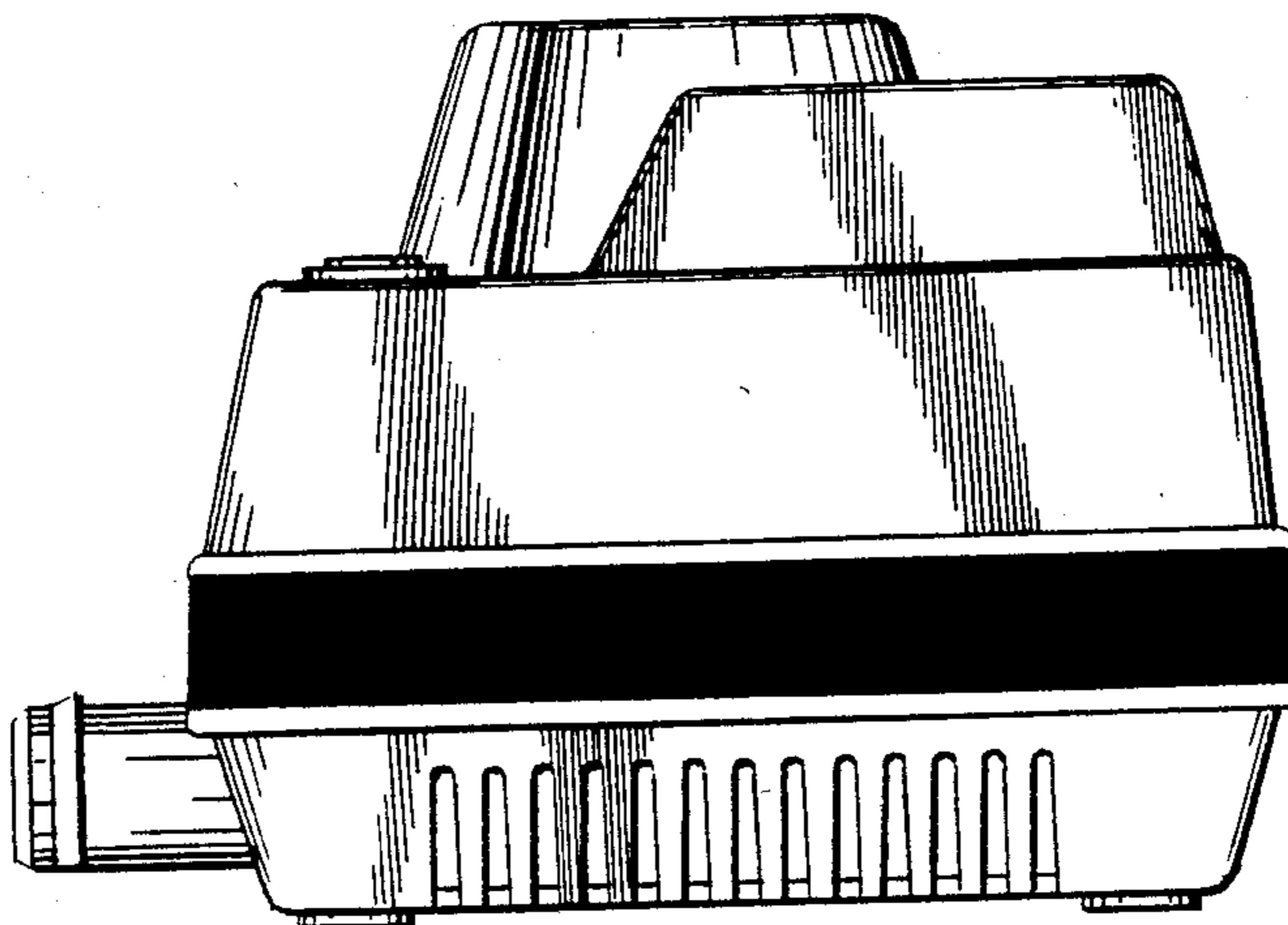




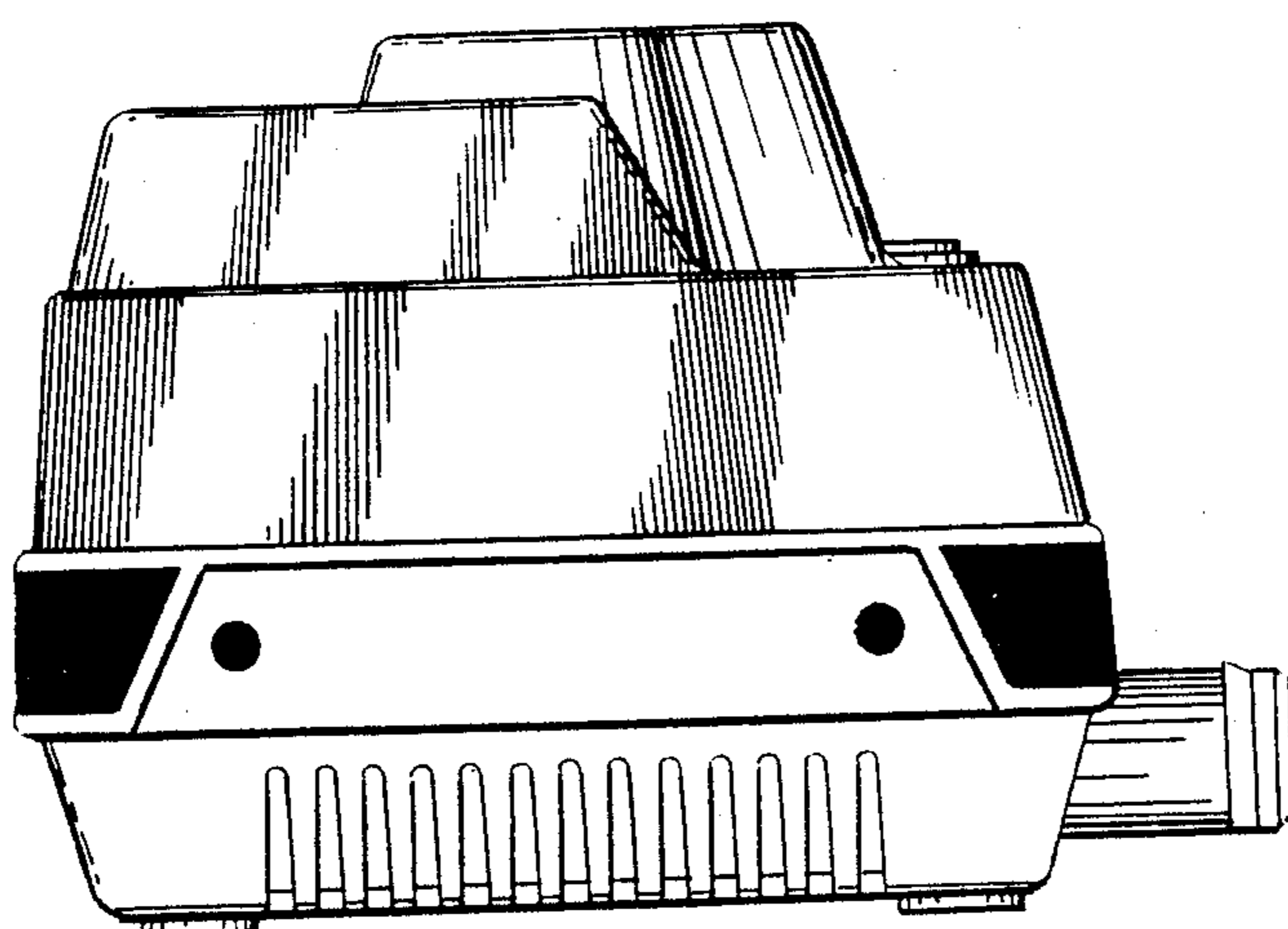
*Fig. 1.*



*Fig. 8.*



*Fig. 2.*



*Fig. 3.*

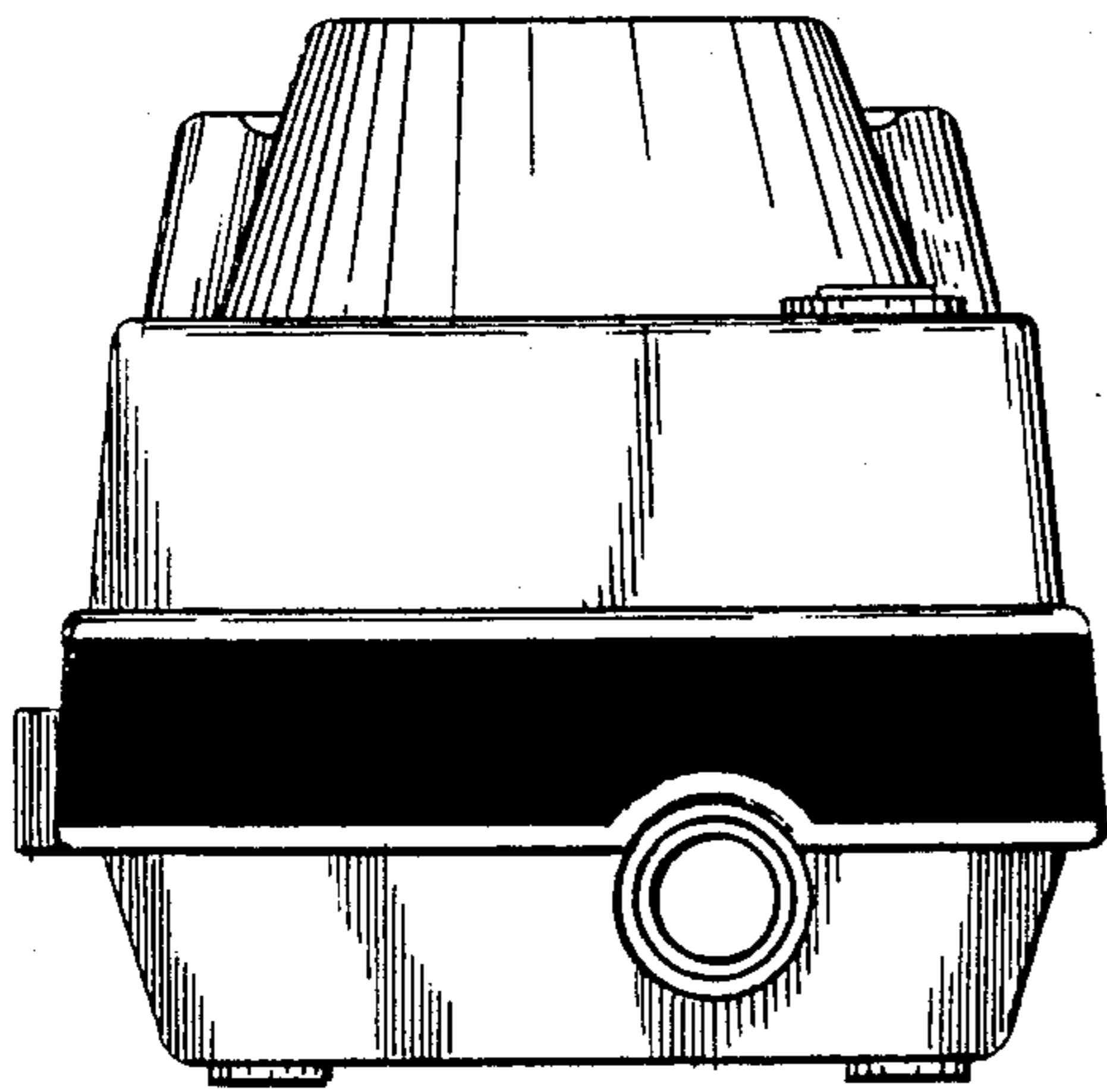


Fig. 4.

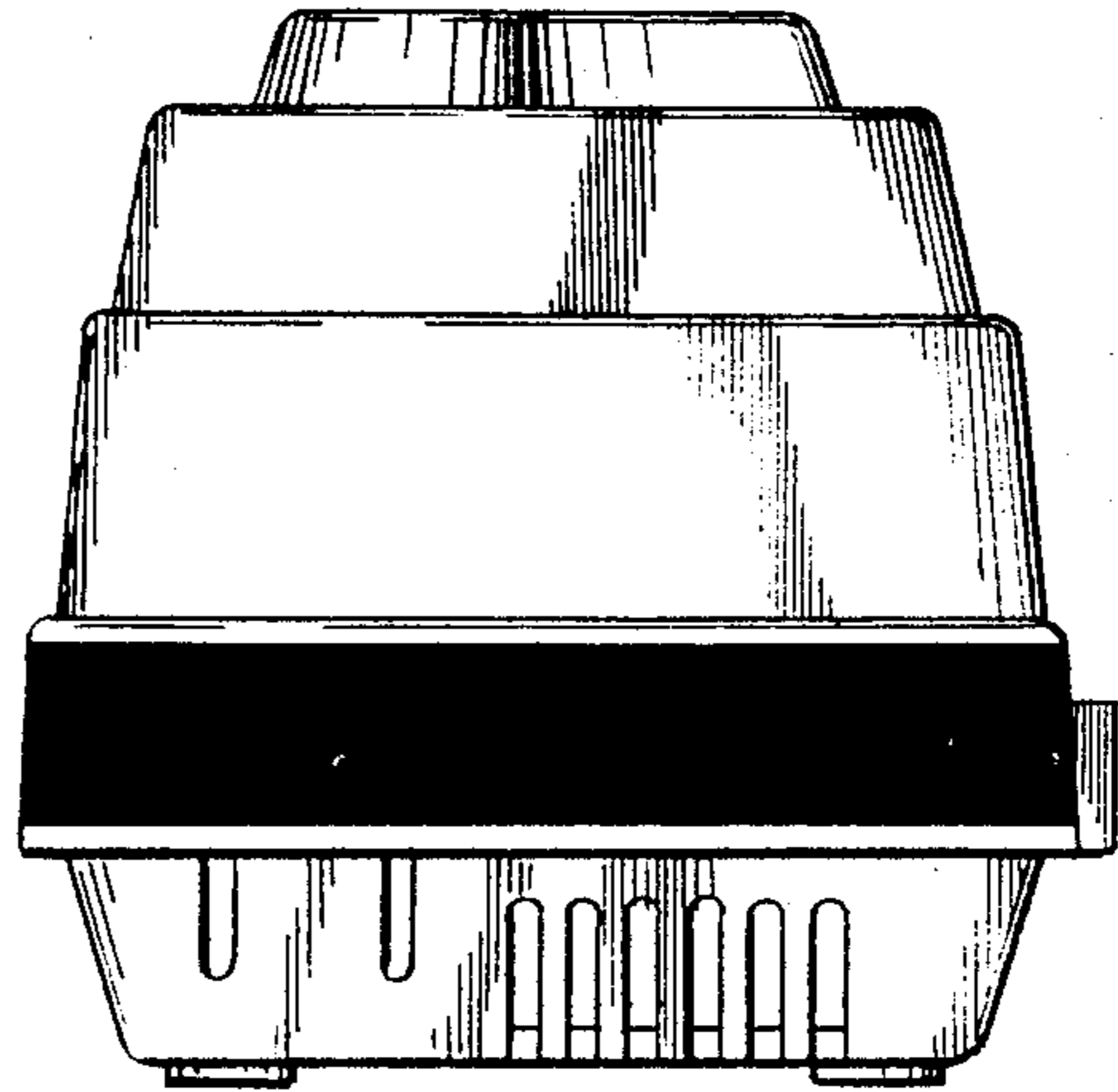


Fig. 5.

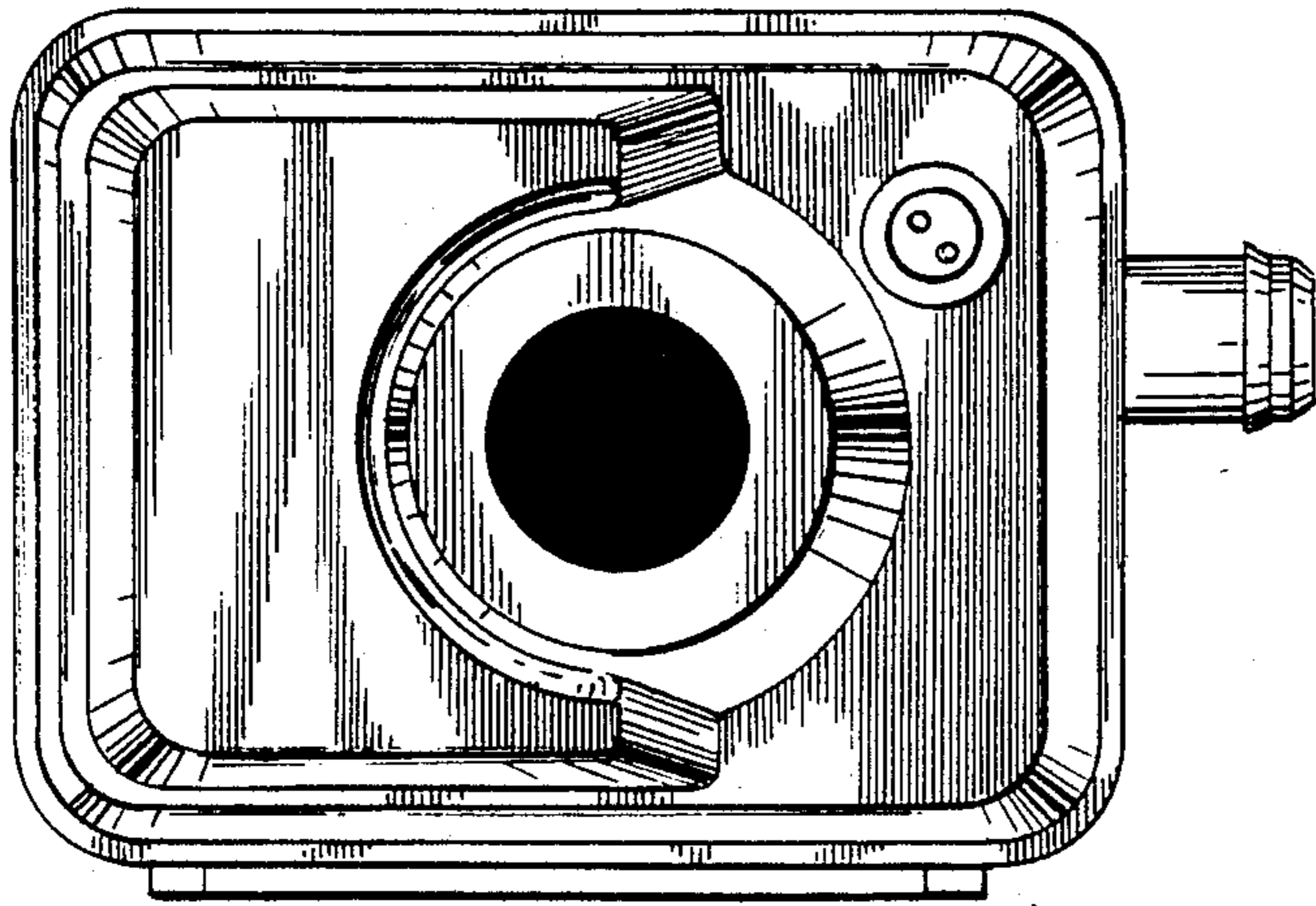


Fig. 6.

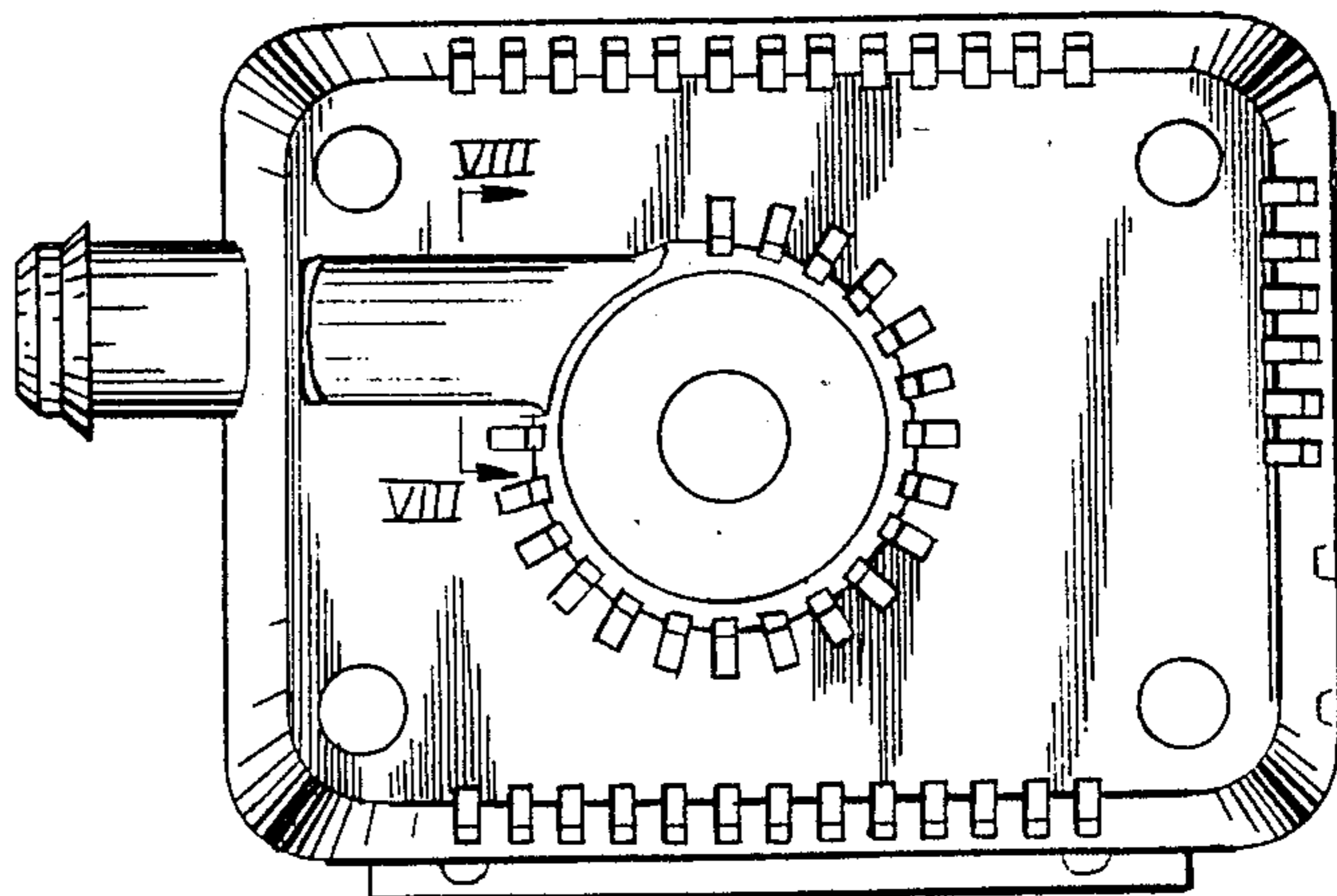


Fig. 7.