

[54] **KEYPAD EXPANSION MODULE HOUSING FOR A TWO-WAY RADIO OR SIMILAR ARTICLE**

[75] Inventor: **Thomas G. Beaumont**, Bedford, Tex.

[73] Assignee: **Motorola, Inc.**, Schaumburg, Ill.

[**] Term: **14 Years**

[21] Appl. No.: **49,070**

[22] Filed: **May 11, 1987**

[52] U.S. Cl. **D14/257; D14/137**

[58] Field of Search **D14/124, 137, 139, 157, D14/159, 188, 189, 191, 192, 217, 218, 257, 258, 299, 155, 168; 455/73, 89, 90, 344**

[56] **References Cited**

U.S. PATENT DOCUMENTS

D. 284,369	6/1986	Nakamura et al.	D14/157
D. 298,133	10/1988	Tokiyama et al.	D14/157
D. 300,634	4/1989	Dickson	D14/257
D. 300,635	4/1989	Dickson	D14/257
4,310,923	1/1982	Kennedy	455/89

OTHER PUBLICATIONS

Boating; Feb. 1986; p. 43; Standard Communication—Horizon Explorer.

CQ The Radio Amateur's Journal; Dec. 1986; p. 115, Yaesu FT-270RH.

Primary Examiner—Bernard Ansher

Assistant Examiner—Theodore M. Shooman

Attorney, Agent, or Firm—Steven G. Parmelee

[57] **CLAIM**

The ornamental design for a keypad expansion module housing for a two-way radio or similar article, as shown and described.

DESCRIPTION

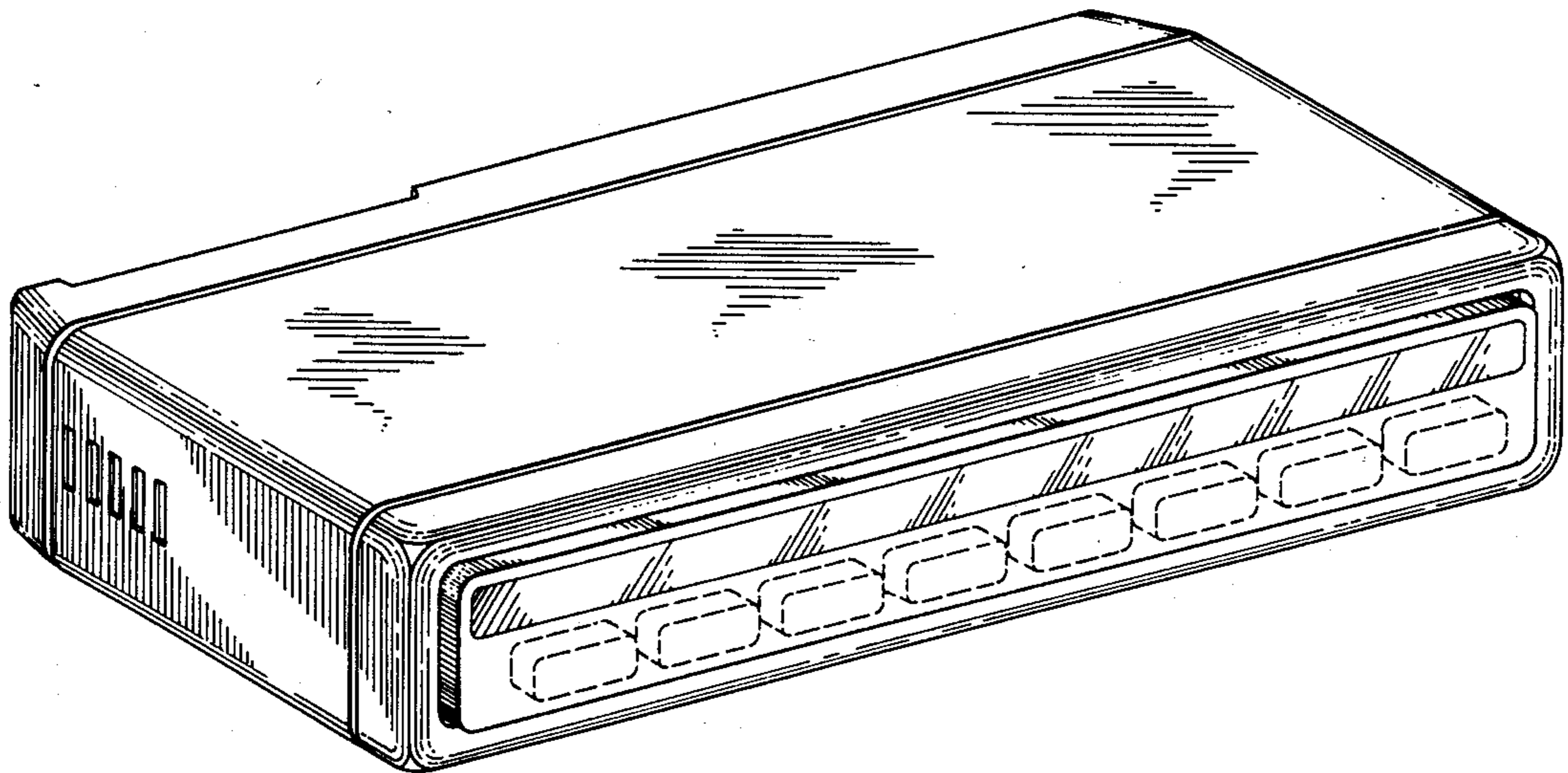
FIG. 1 is a top, front and left side perspective view of a keypad expansion module housing for a two-way radio or similar article showing my new design;

FIG. 2 is a right side elevational view thereof;

FIG. 3 is a rear elevational view thereof; and

FIG. 4 is a bottom plan view thereof.

The broken line showing of the buttons is for illustrative purposes only and forms no part of the claimed design.



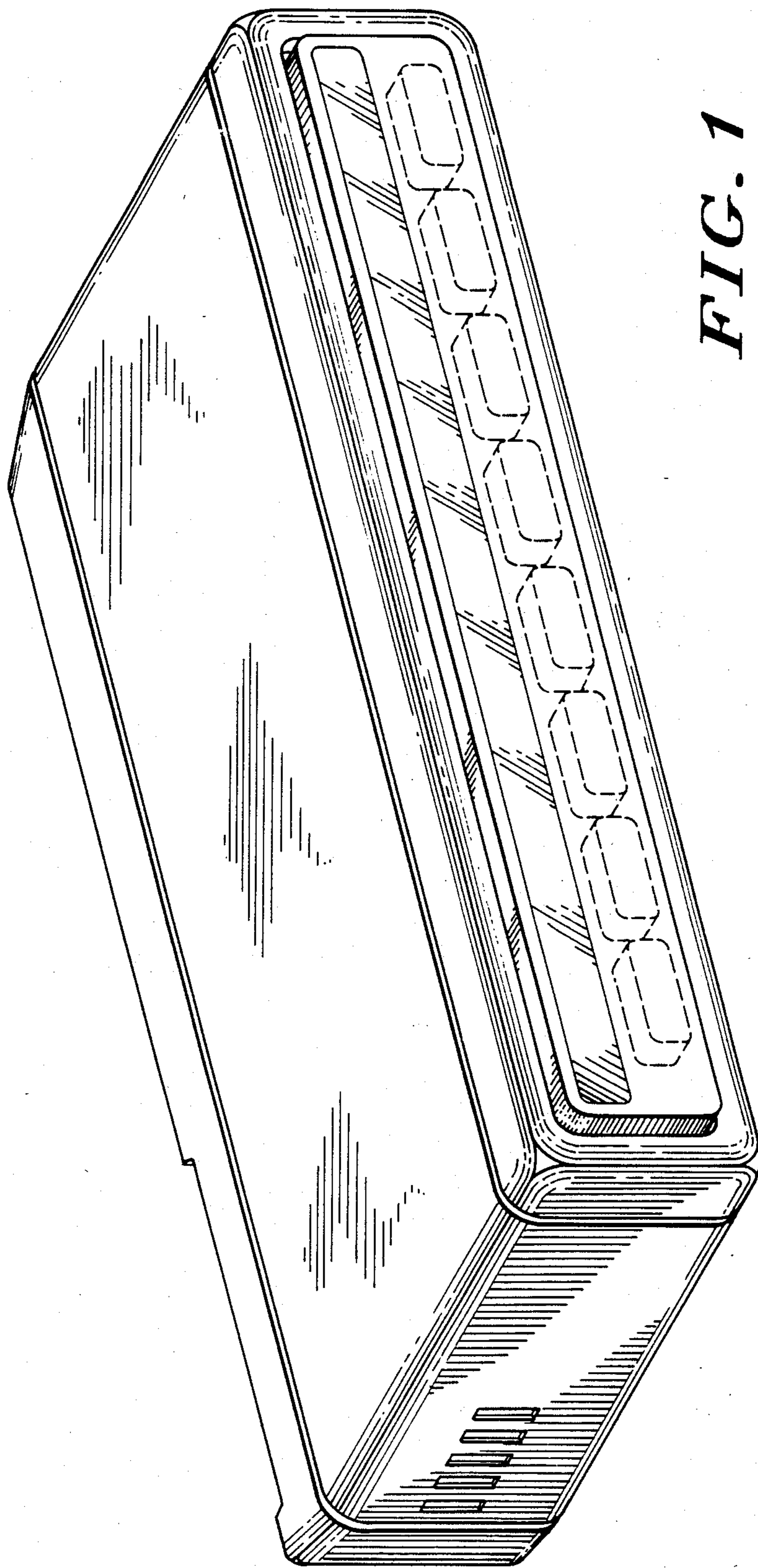


FIG. 1

FIG. 2

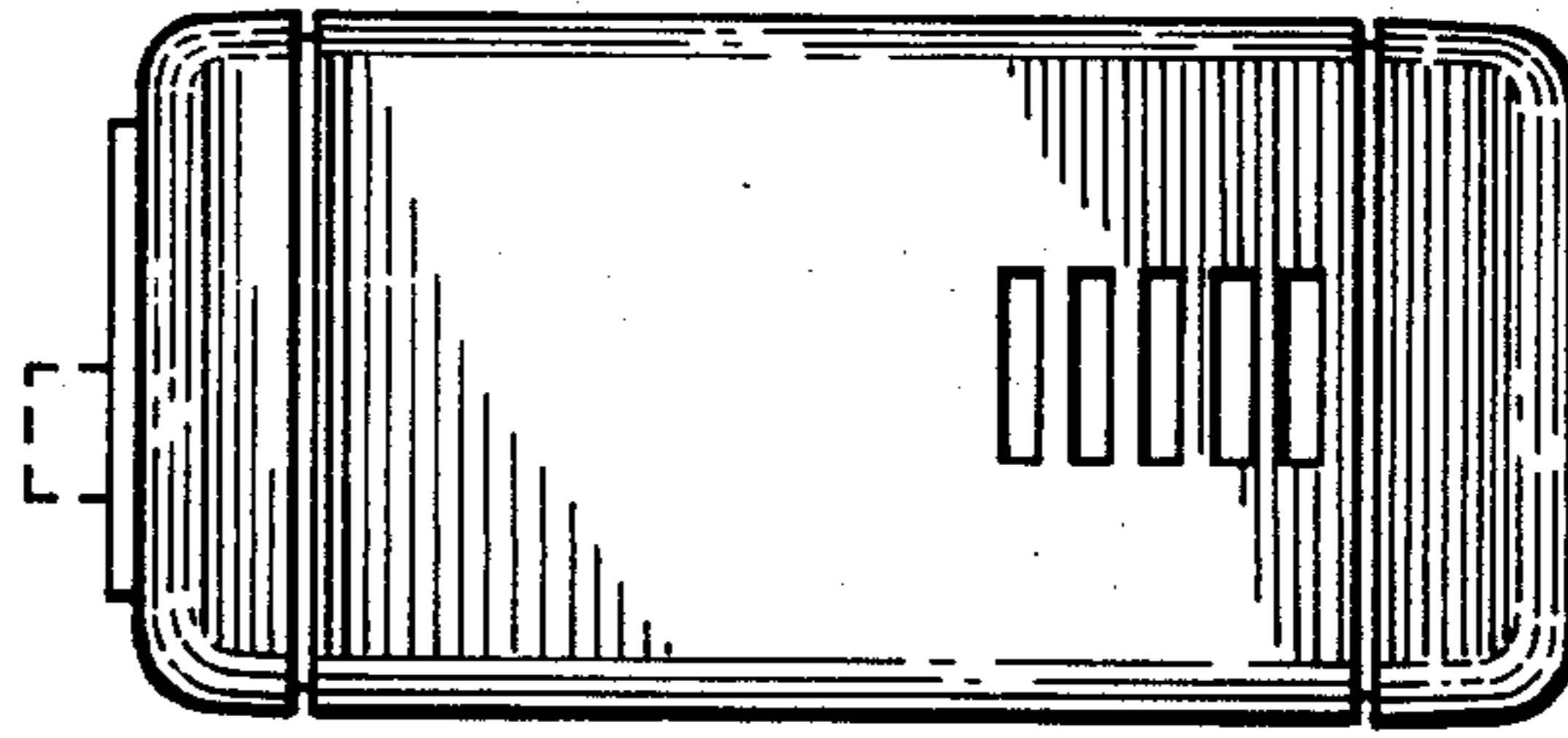


FIG. 3

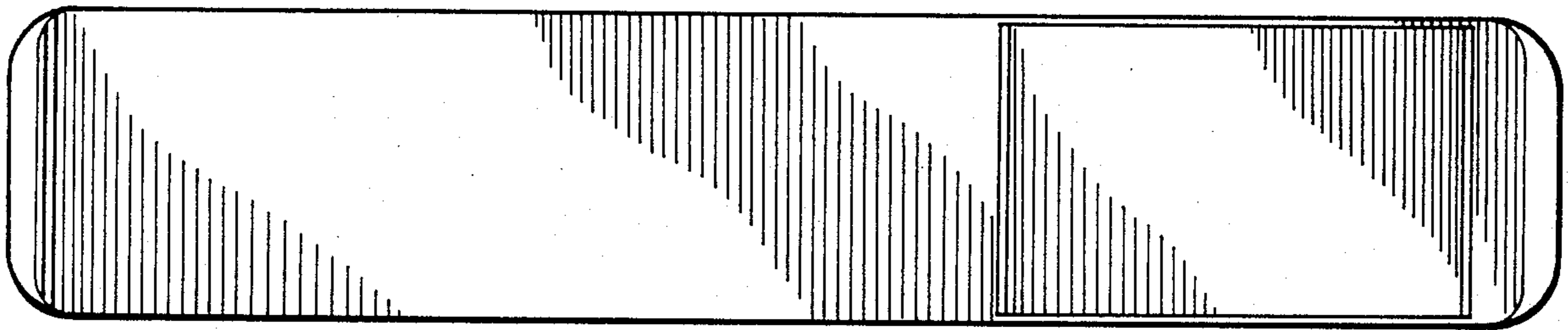


FIG. 4

