

[54] COUNTERTOP, GOOSENECK-STYLE, OPTICAL SCANNER FOR USE WITH POINT-OF-SALE REGISTER

[75] Inventors: Mark J. Krichever, Hauppauge; Jerome Swartz, Setauket, both of N.Y.

[73] Assignee: Symbol Technologies Inc., Bohemia, N.Y.

[**] Term: 14 Years

[21] Appl. No.: 193,483

[22] Filed: May 11, 1988

[52] U.S. Cl. D14/107

[58] Field of Search D14/100, 105, 107, 114, D14/116; D23/213, 283; D26/62; 239/548; 235/454, 462, 470, 471, 472, 473, 475, 479; 250/203 R, 566, 568, 569, 239; 358/408, 473, 474, 497; 354/80, 81, 82; 355/231, 233; 382/58, 59, 62, 63, 65

[56] References Cited

U.S. PATENT DOCUMENTS

D. 220,717	5/1971	Andre	D26/62
3,666,938	5/1972	Dolega	D26/62 X
4,118,687	10/1978	McWaters et al.	D14/100 X
4,180,204	12/1979	Koenig et al.	382/59 X
4,204,636	5/1980	Hayman	235/472 X
4,766,298	8/1988	Meyers	250/566 X

OTHER PUBLICATIONS

Symbol Technologies, Inc., flyer on LS 6000, bearing 1987 copyright notice.

Symbol Technologies, Inc. flyer on smart stand, bearing 1987 copyright notice.

Symbol Technologies, Inc. 1987, p. 1 of flyer—LS 8100 II Hand-Held Laser Scanner.

TEC Japanese Flyer—Aug. 19, 1985, pp. 1 and 2—Scanner.

Primary Examiner—Susan J. Lucas

Assistant Examiner—Freda S. Nunn

[57] CLAIM

The ornamental design for a countertop, gooseneck-style, optical scanner for use with point-of-sale register, as shown and described.

DESCRIPTION

FIG. 1 is a left side elevational view of a counter-top gooseneck-style optical scanner for use with point-of-sale register showing our new design;

FIG. 2 is an enlarged top plan view thereof;

FIG. 3 is an enlarged right side elevational view thereof;

FIG. 4 is an enlarged front elevational view thereof;

FIG. 5 is an enlarged rear elevational view thereof;

FIG. 6 is an enlarged bottom plan view thereof.

The point-of-sale register is shown in broken lines in FIG. 1 for illustrative purposes only and thus forms no part of the claimed design.

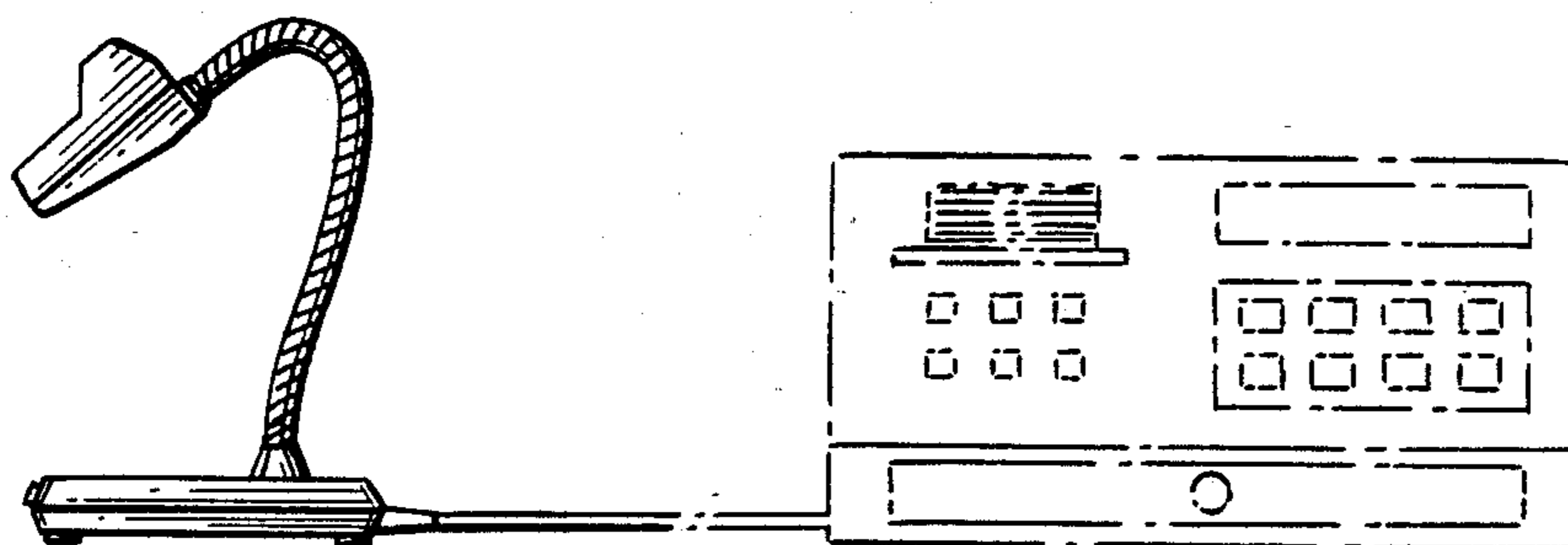


FIG. 1

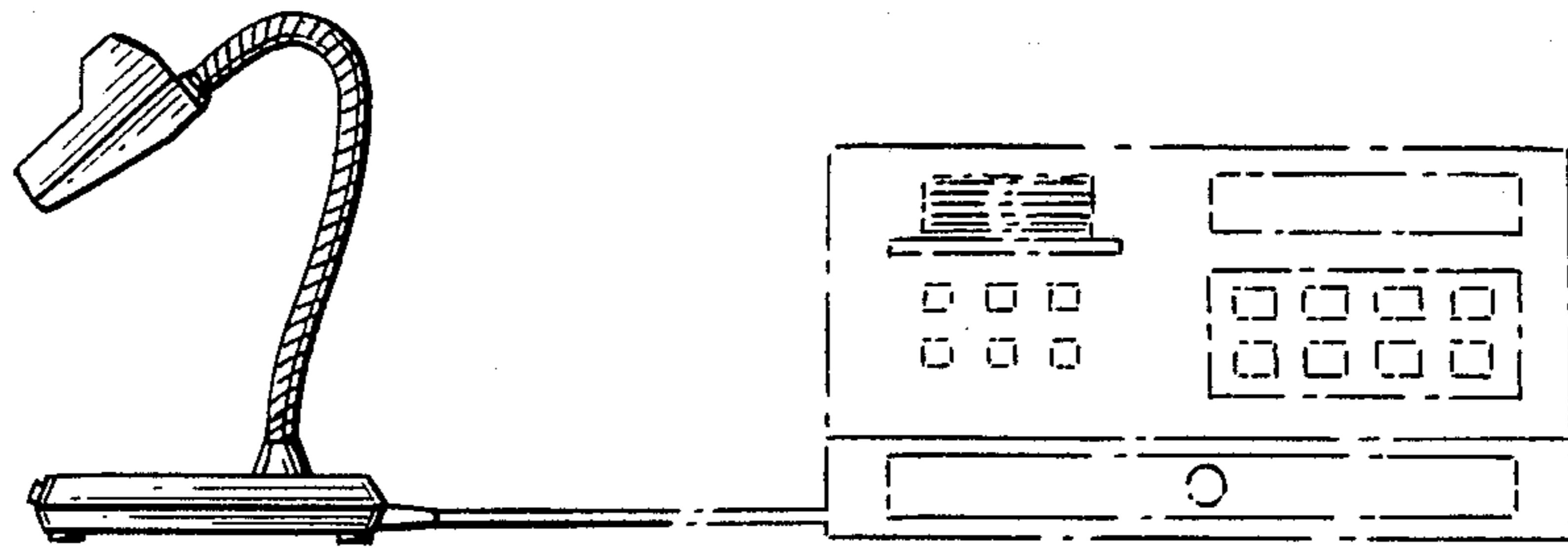


FIG. 2

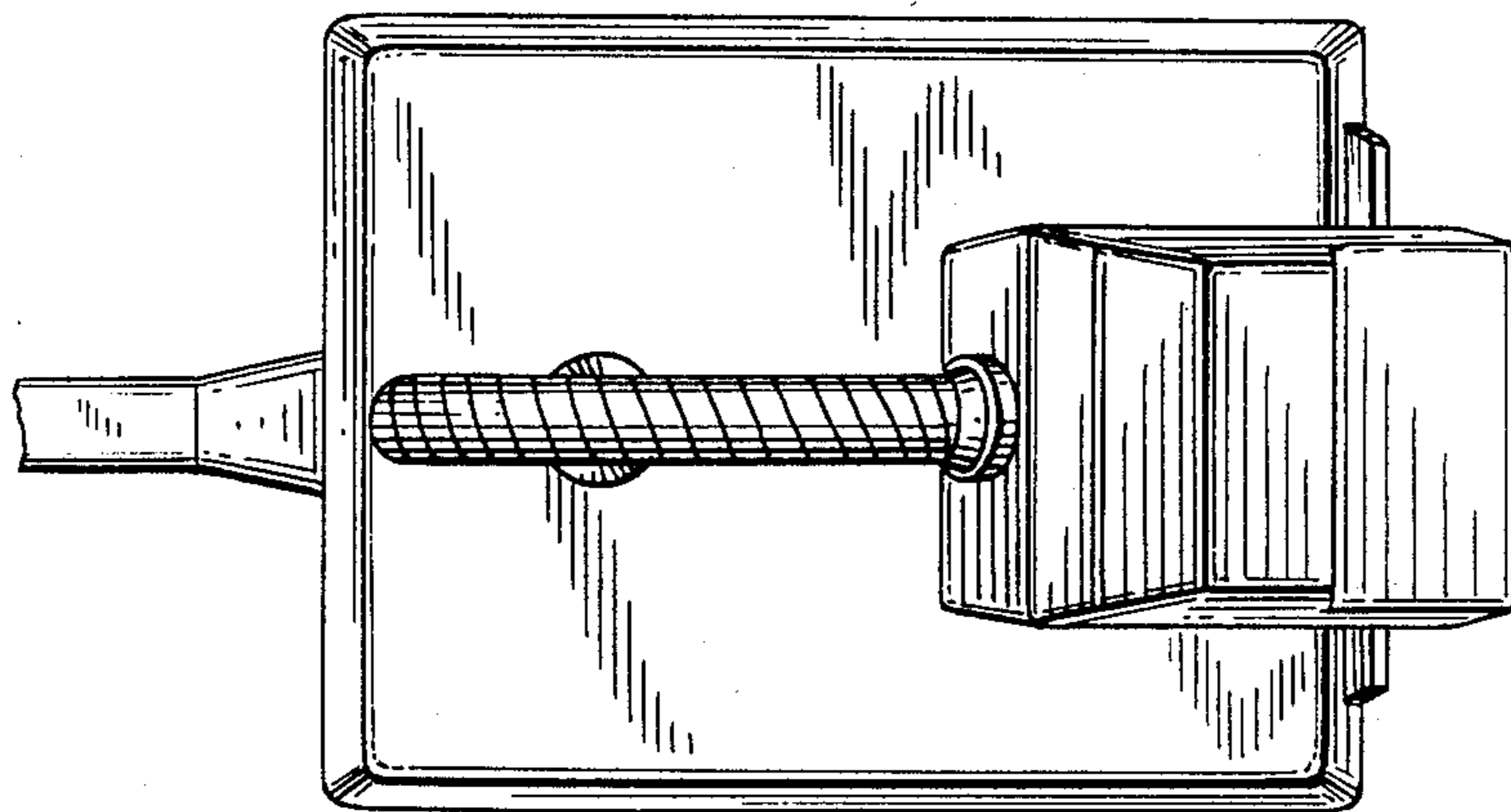


FIG. 4

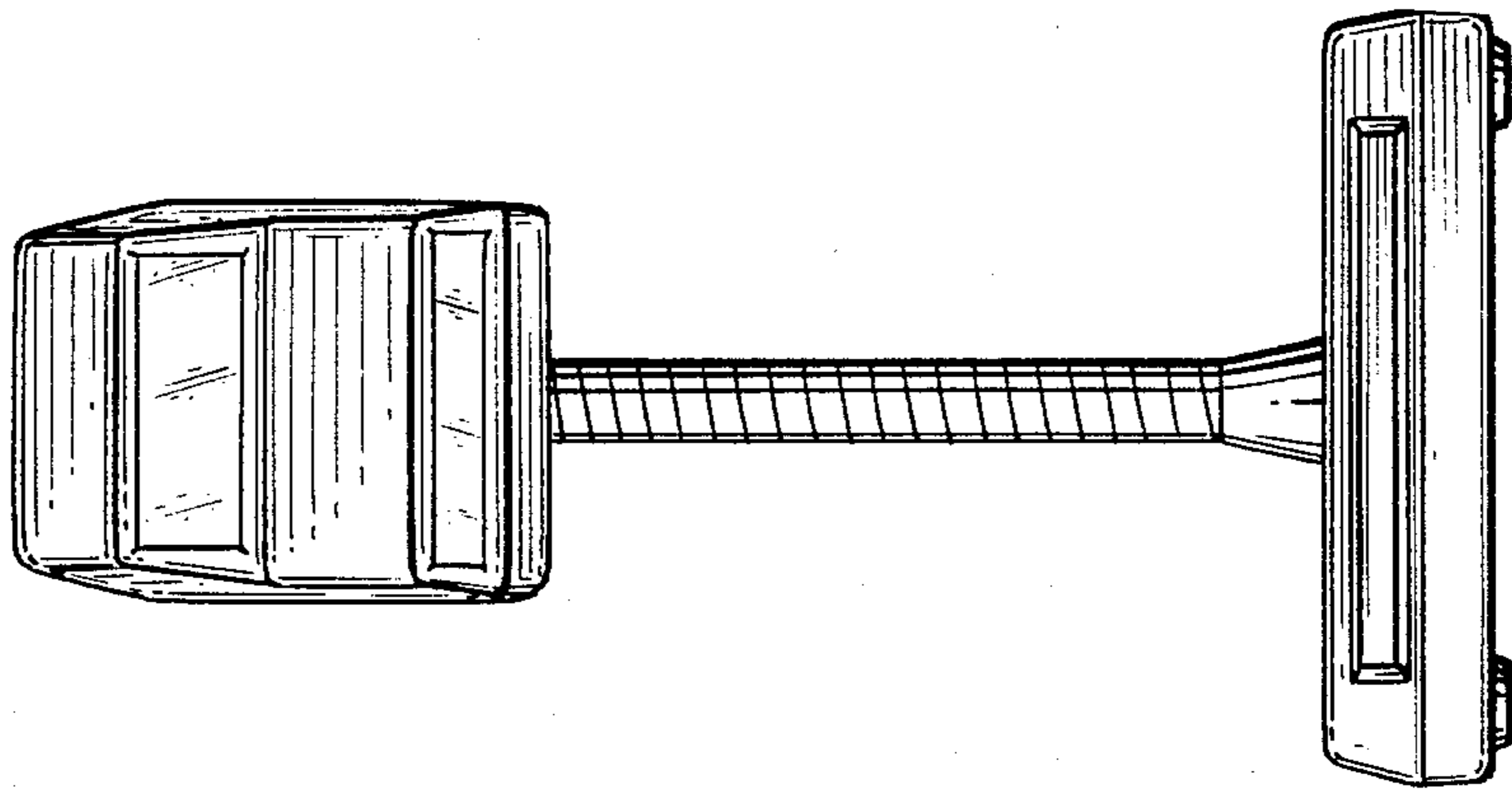


FIG. 3

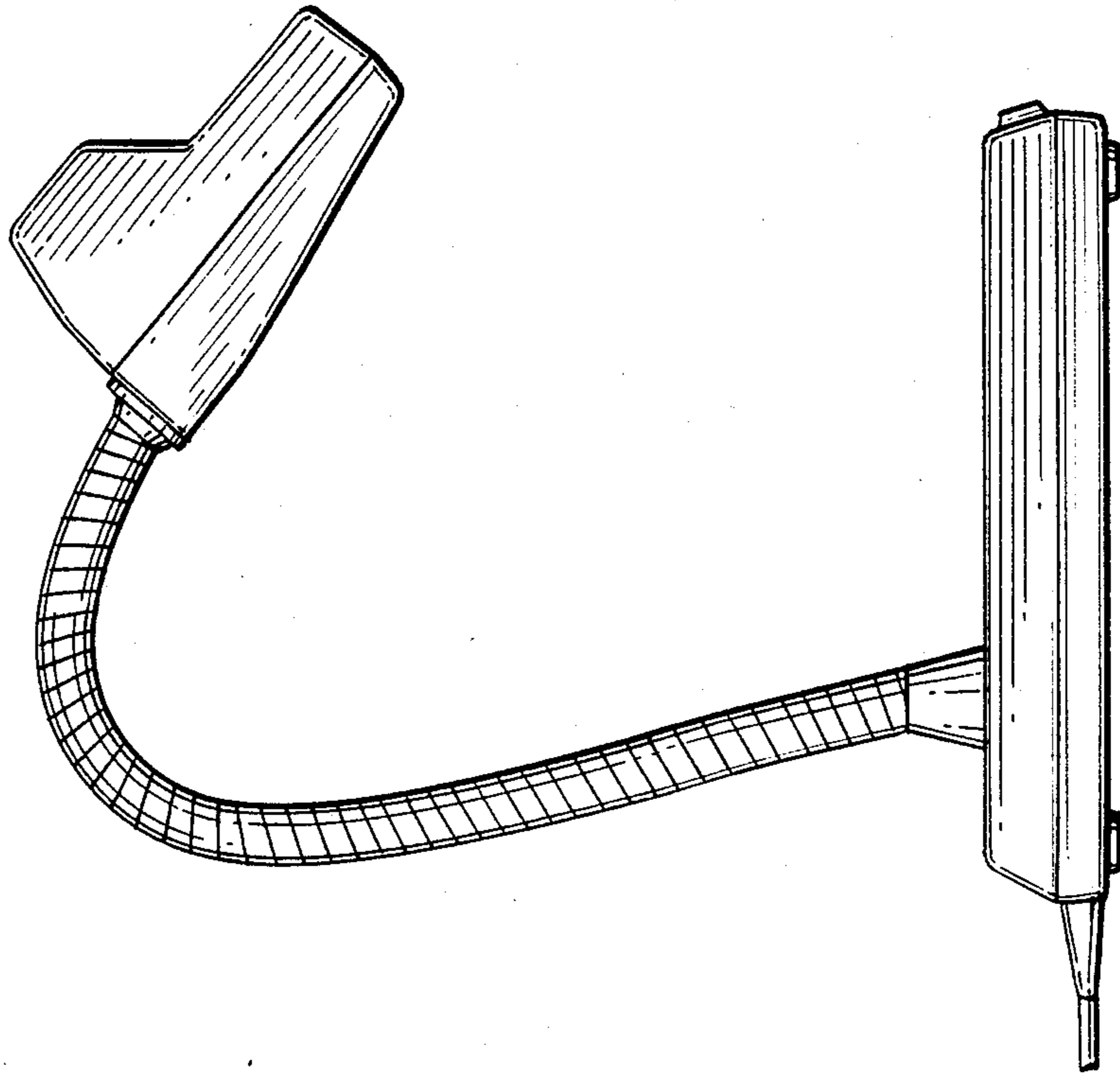


FIG. 5

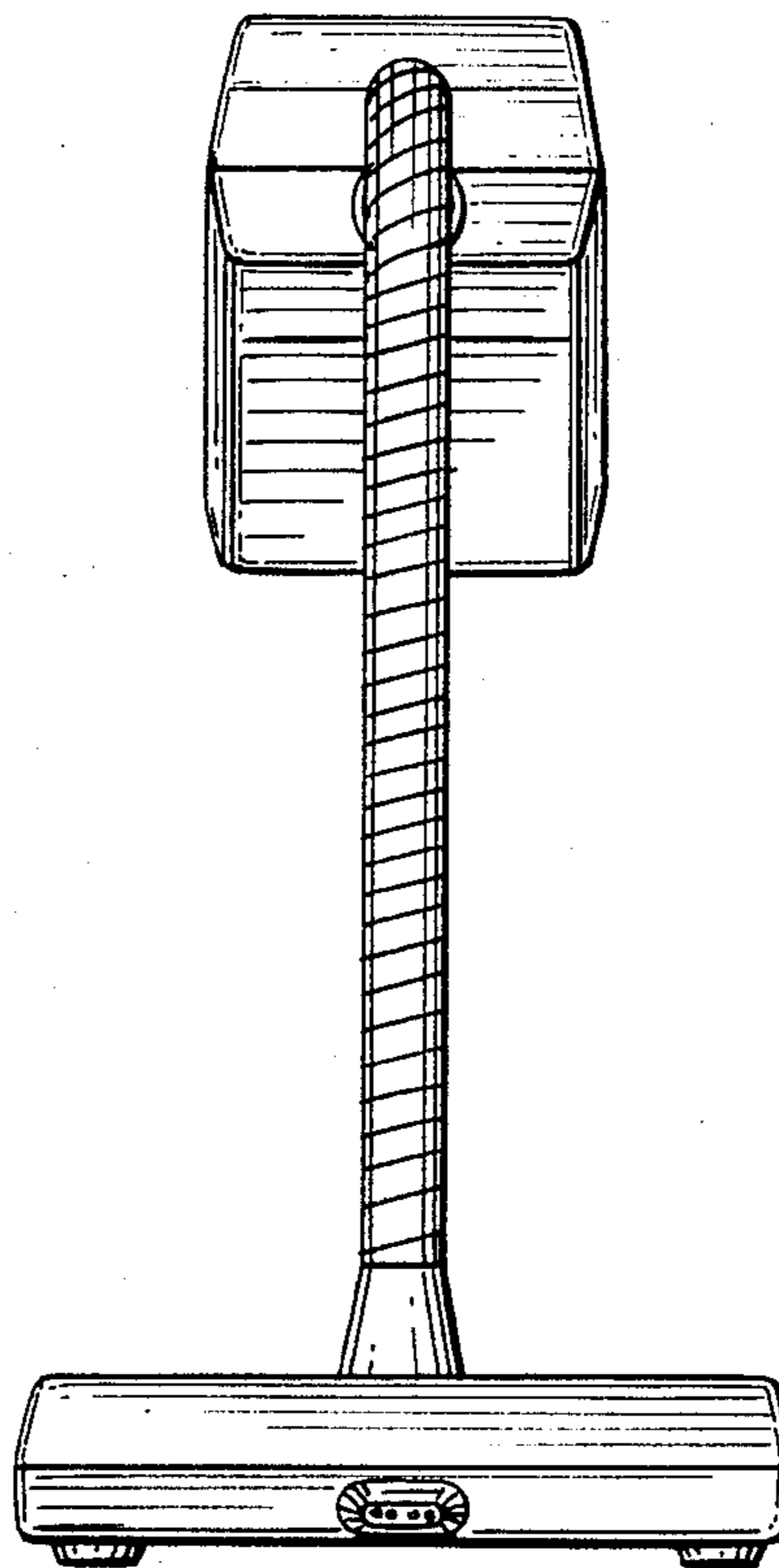


FIG. 6

