

[54] MODULAR CASING FOR A CAPACITOR BANK

[75] Inventors: Lucio Venturini; Dante Tura; Fausto Gasparrini, all of Bologna, Italy

[73] Assignee: Ducati Energia S.p.A., Bologna, Italy

[\*\*] Term: 14 Years

[21] Appl. No.: 30,605

[22] Filed: Mar. 27, 1987

[52] U.S. Cl. .... D13/40

[58] Field of Search ..... D13/21; 361/329

[56] References Cited

U.S. PATENT DOCUMENTS

3,300,695	1/1967	Cypra et al. ....	361/329
4,507,630	3/1985	Wakino .....	361/329 X
4,507,707	3/1985	Willis .....	361/380
4,670,814	6/1987	Matsui et al. ....	361/329 X
4,677,523	6/1987	Kauppi .....	361/329

FOREIGN PATENT DOCUMENTS

1120589	12/1961	Fed. Rep. of Germany .....	361/329
---------	---------	----------------------------	---------

2309083	11/1976	France .....	361/380
345865	6/1937	Italy .....	361/329
424407	2/1935	United Kingdom .....	361/329
515382	12/1939	United Kingdom .....	361/329
900899	7/1962	United Kingdom .....	361/329

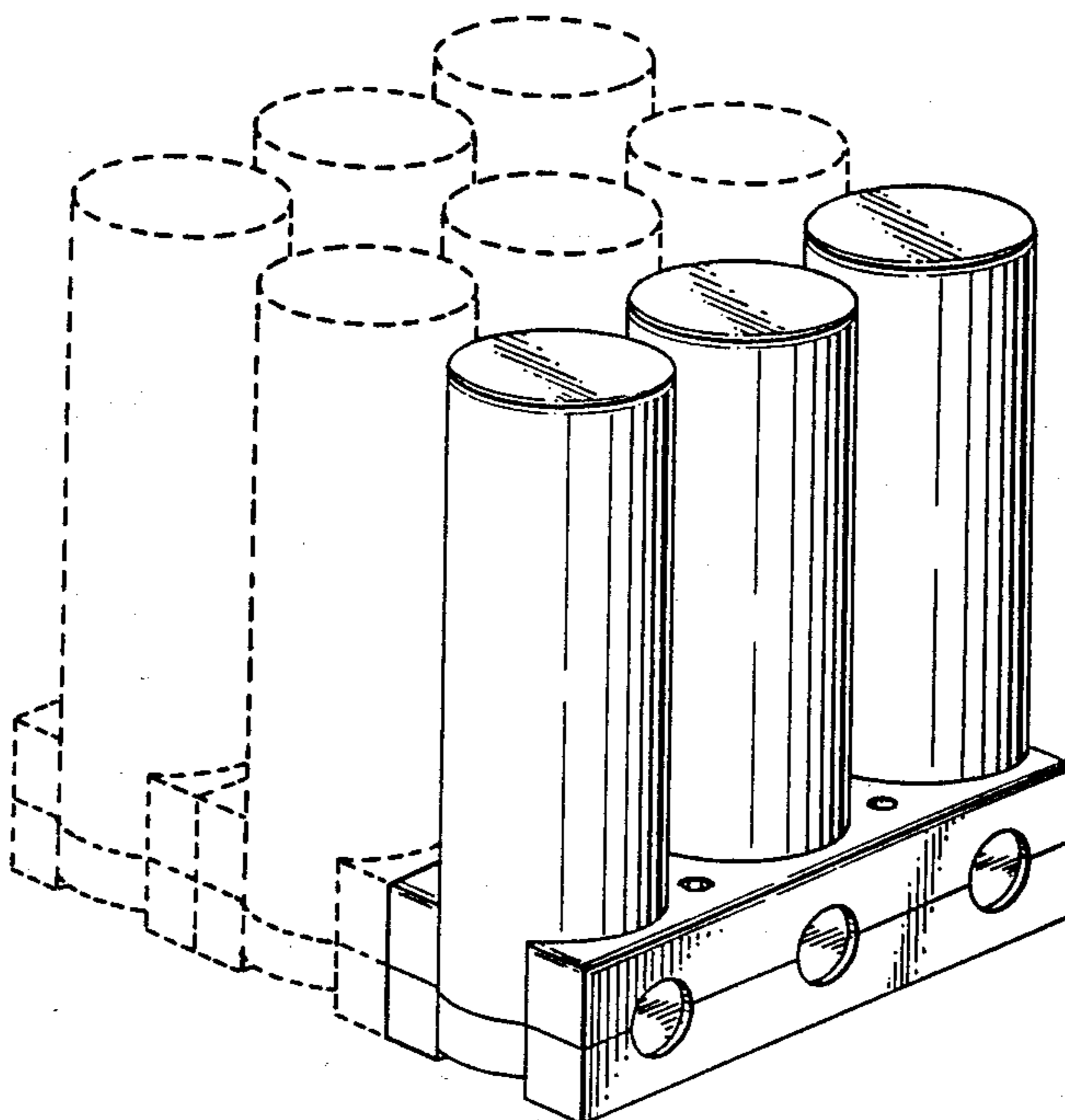
Primary Examiner—Susan J. Lucas  
Assistant Examiner—Joel Sincavage  
Attorney, Agent, or Firm—Wenderoth, Lind & Ponack

[57] CLAIM

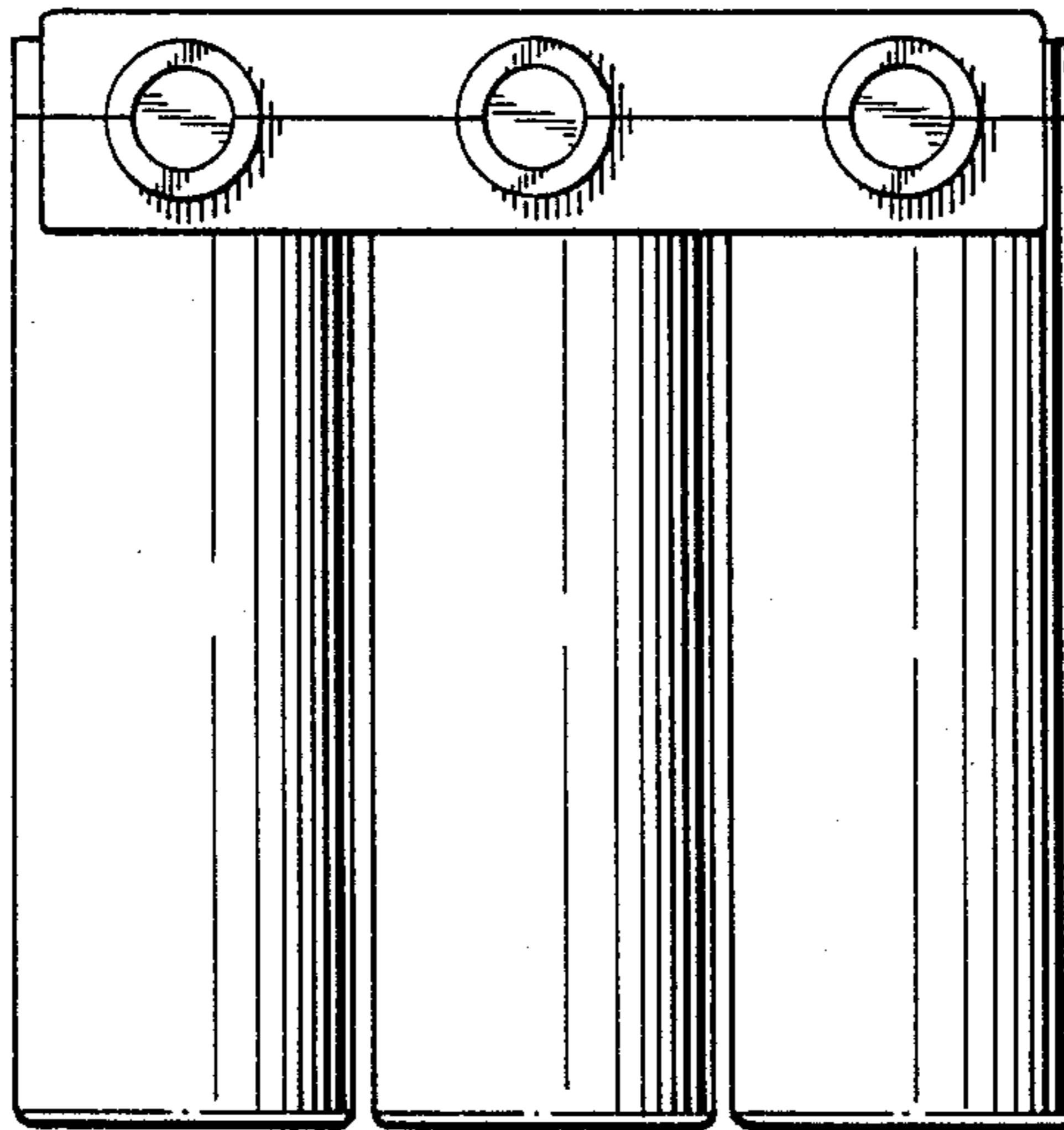
The ornamental design for the modular casing for a capacitor bank, as shown and described.

DESCRIPTION

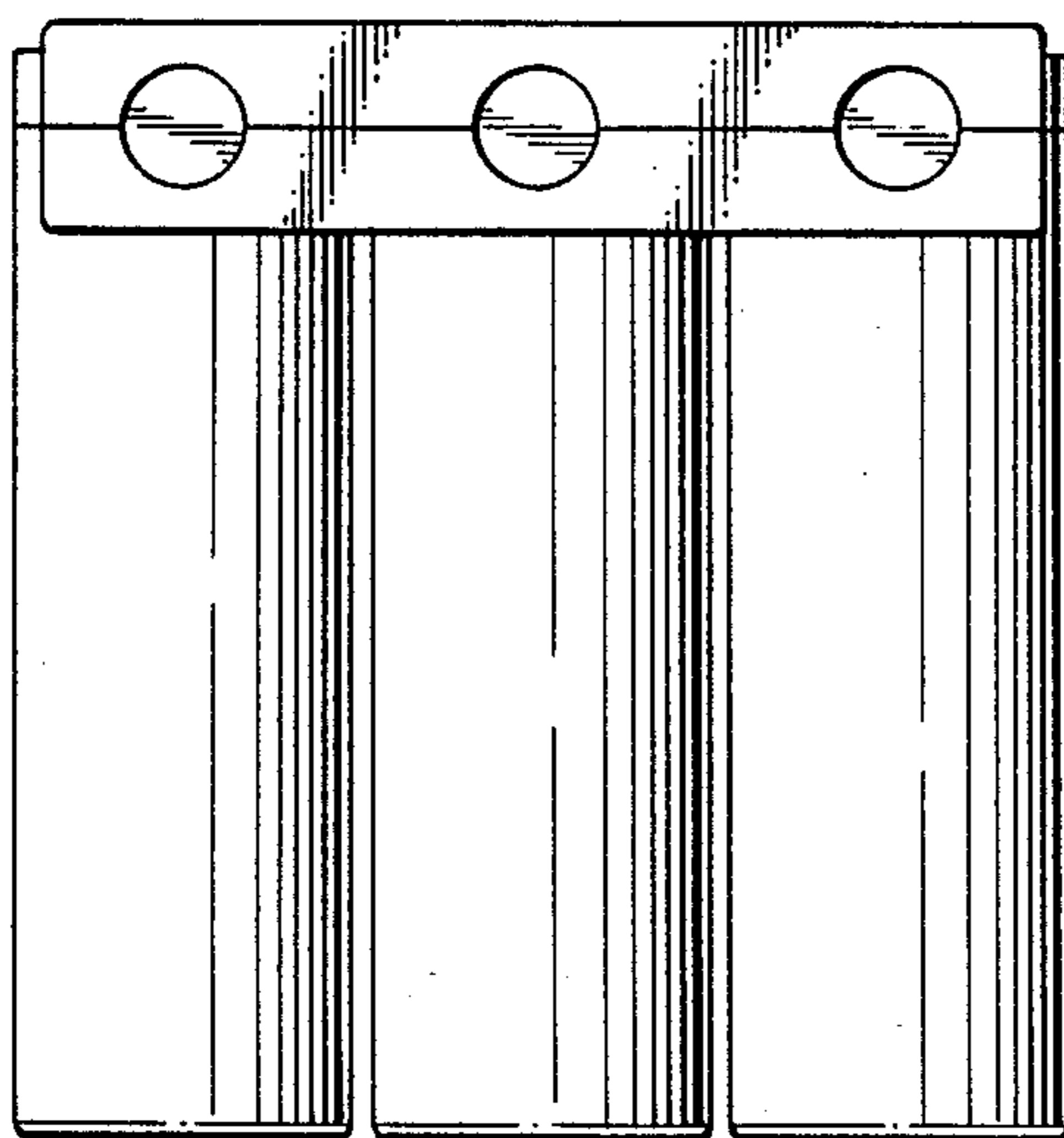
FIG. 1 is a front elevational view of a modular casing for a capacitor bank showing our new design; FIG. 2 is a rear elevational view thereof; FIG. 3 is a side elevational view thereof; FIG. 4 is a top plan view thereof; FIG. 5 is a bottom plan view thereof; FIG. 6 is an inverted front perspective view of several modular casings, as shown in FIG. 1, arranged side-by-side, the portion shown by broken lines for illustrative purposes only and forming no part of the claimed design.



*FIG. 1*



*FIG. 2*



*FIG. 3*

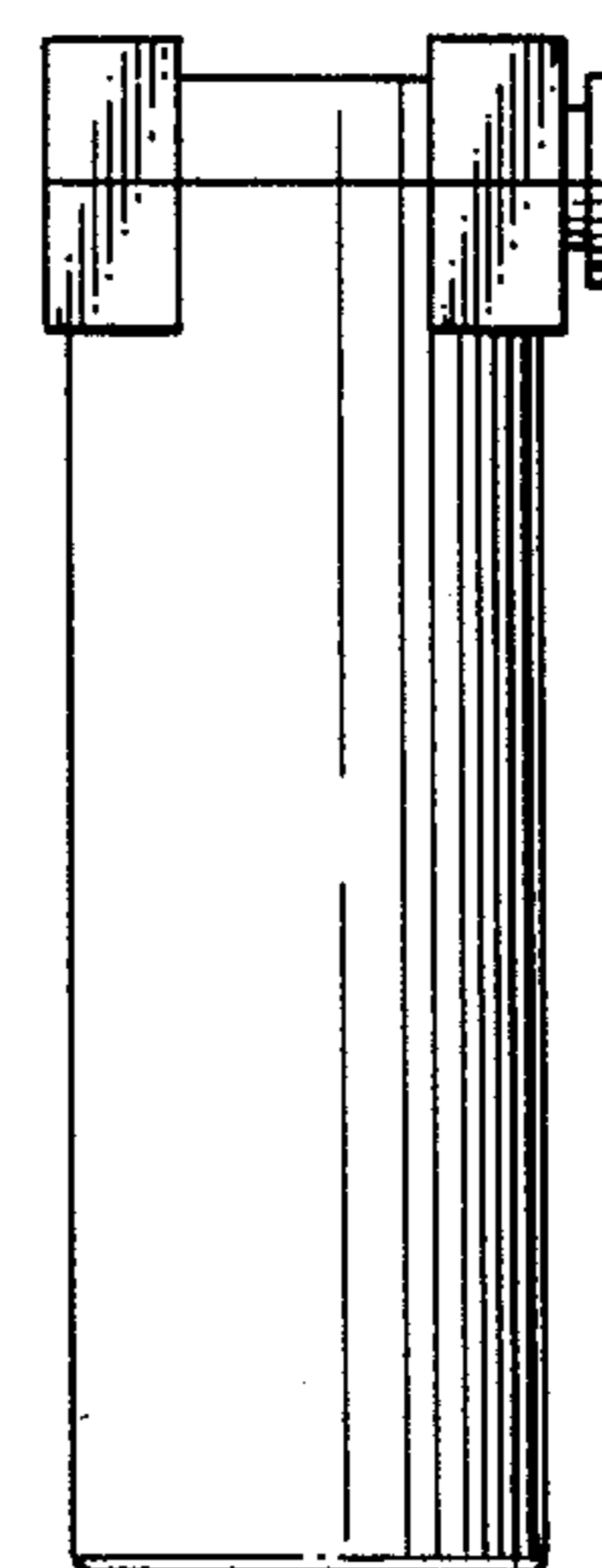


FIG. 4

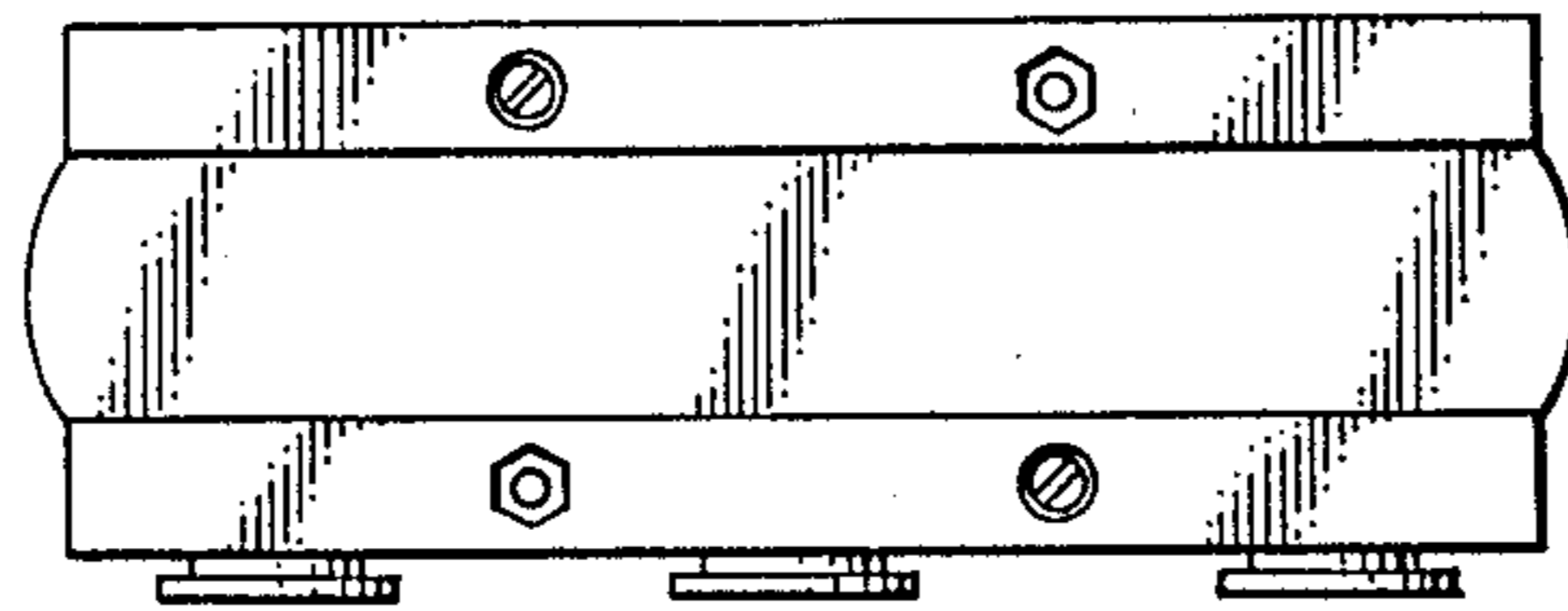


FIG. 5

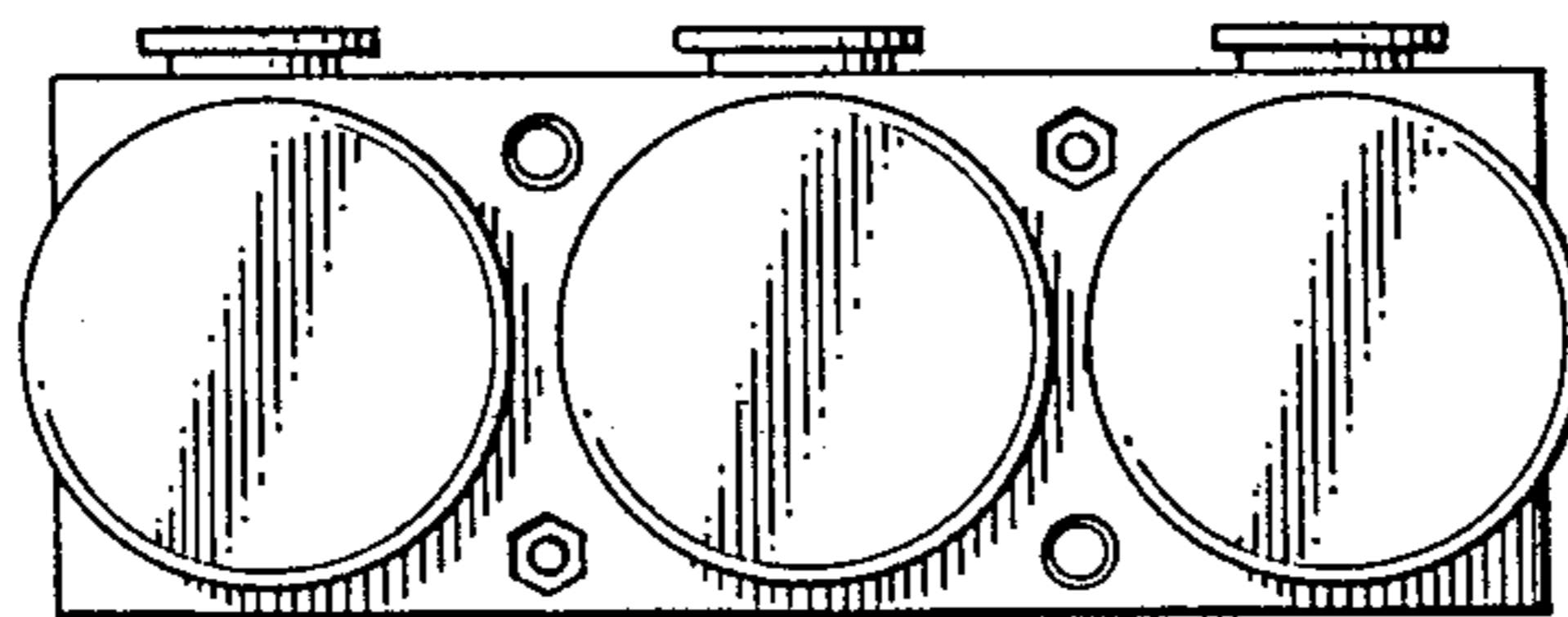


FIG. 6

