

[54] UNDERWATER REMOTELY OPERATED VEHICLE

[56] References Cited

U.S. PATENT DOCUMENTS

- D. 219,182 11/1970 Poutout ..... D12/308
- D. 263,949 4/1982 Hooper et al. .... D12/315
- 4,297,757 11/1981 Palemon Camu ..... 114/349
- 4,444,163 4/1984 Ulinskas ..... 114/349
- 4,822,311 4/1989 Doerffer et al. .... 114/349

[76] Inventors: Terence D. Walker, 4 Bryn Llewlyn, Pennrhindendraeth, Wales, LL48 6NE; Hywel W. Williams, 4 Balmoral Terrace, Cove, Aberdeen, Scotland

Primary Examiner—Wallace R. Burke  
Assistant Examiner—Kay H. Chin  
Attorney, Agent, or Firm—Gordon L. Peterson

[\*\*] Term: 14 Years

[57] CLAIM

[21] Appl. No.: 171,790

The ornamental design for an underwater remotely operated vehicle, as shown and described.

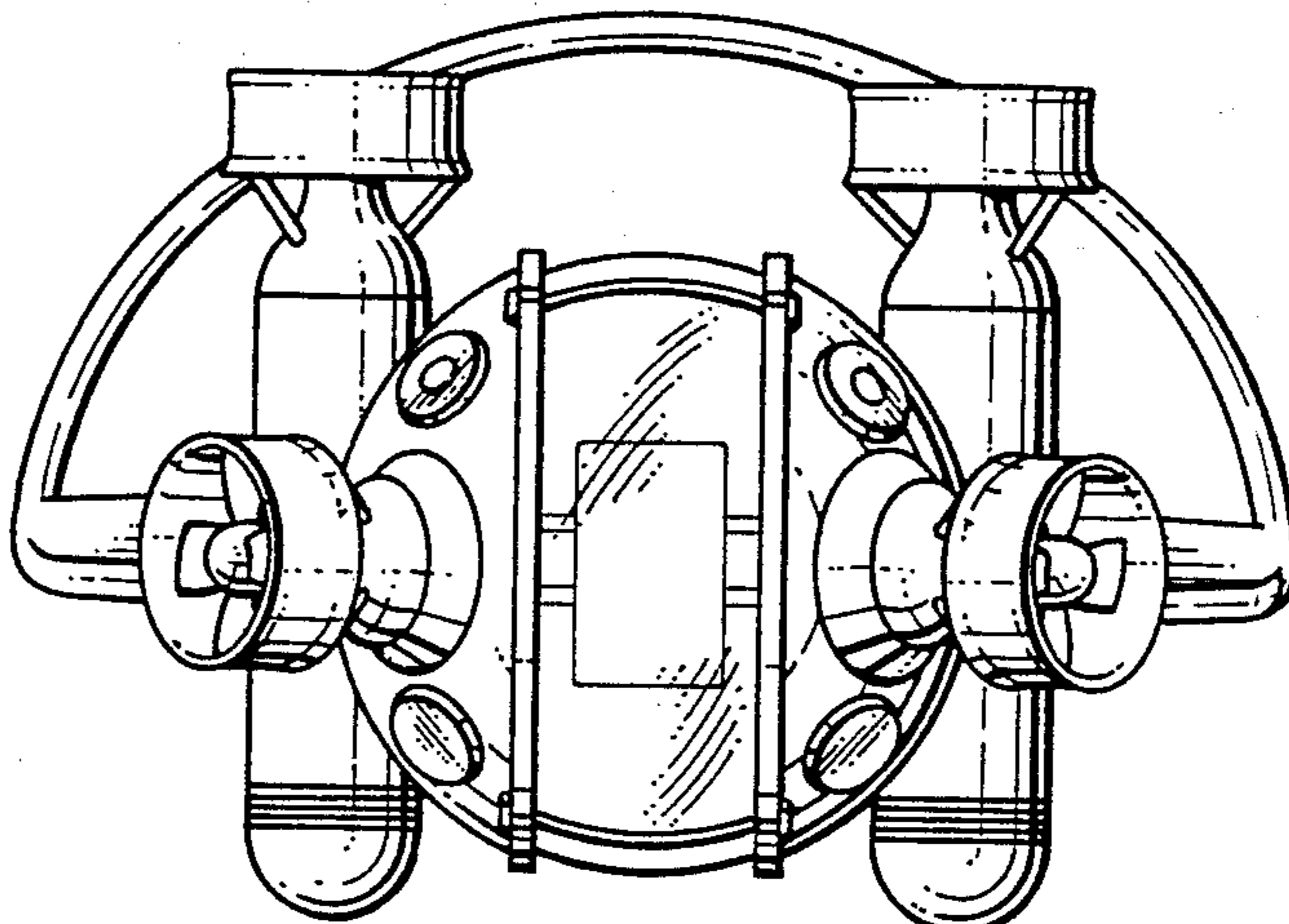
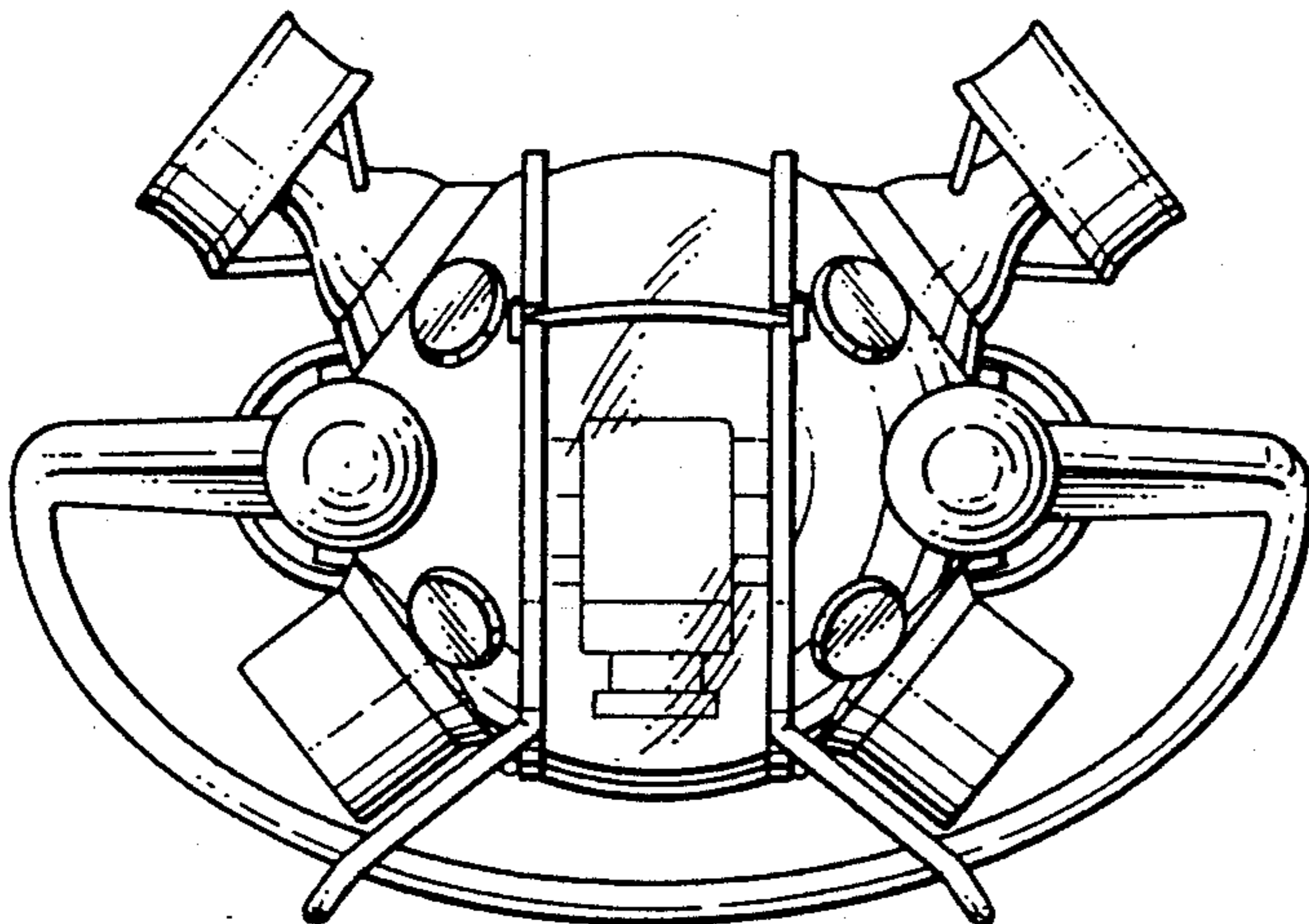
[22] Filed: Mar. 22, 1988

DESCRIPTION

[30] Foreign Application Priority Data

- Sep. 23, 1987 [GB] United Kingdom ..... 1045092
- [52] U.S. Cl. .... D12/308
- [58] Field of Search ..... D12/300, 308; 114/349, 114/338, 348, 345

FIG. 1 is a front elevational view of an underwater remotely operated vehicle showing our new design; FIG. 2 is a rear elevation view thereof; FIG. 3 is a top plan view thereof; FIG. 4 is a bottom plan view thereof; and FIG. 5 is a side elevational view thereof, the opposite side elevational view being a mirror image of that shown.



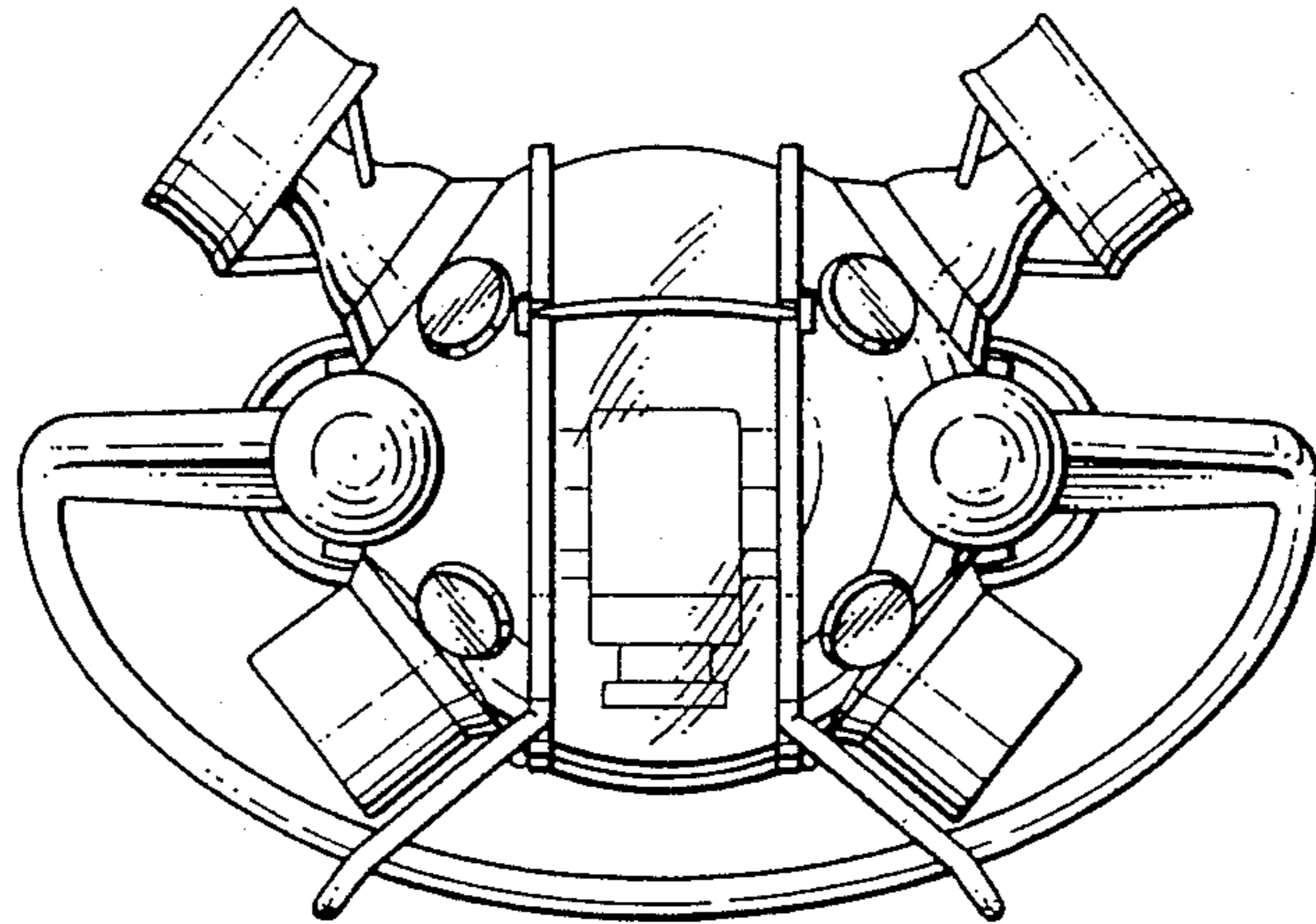


FIG. 1

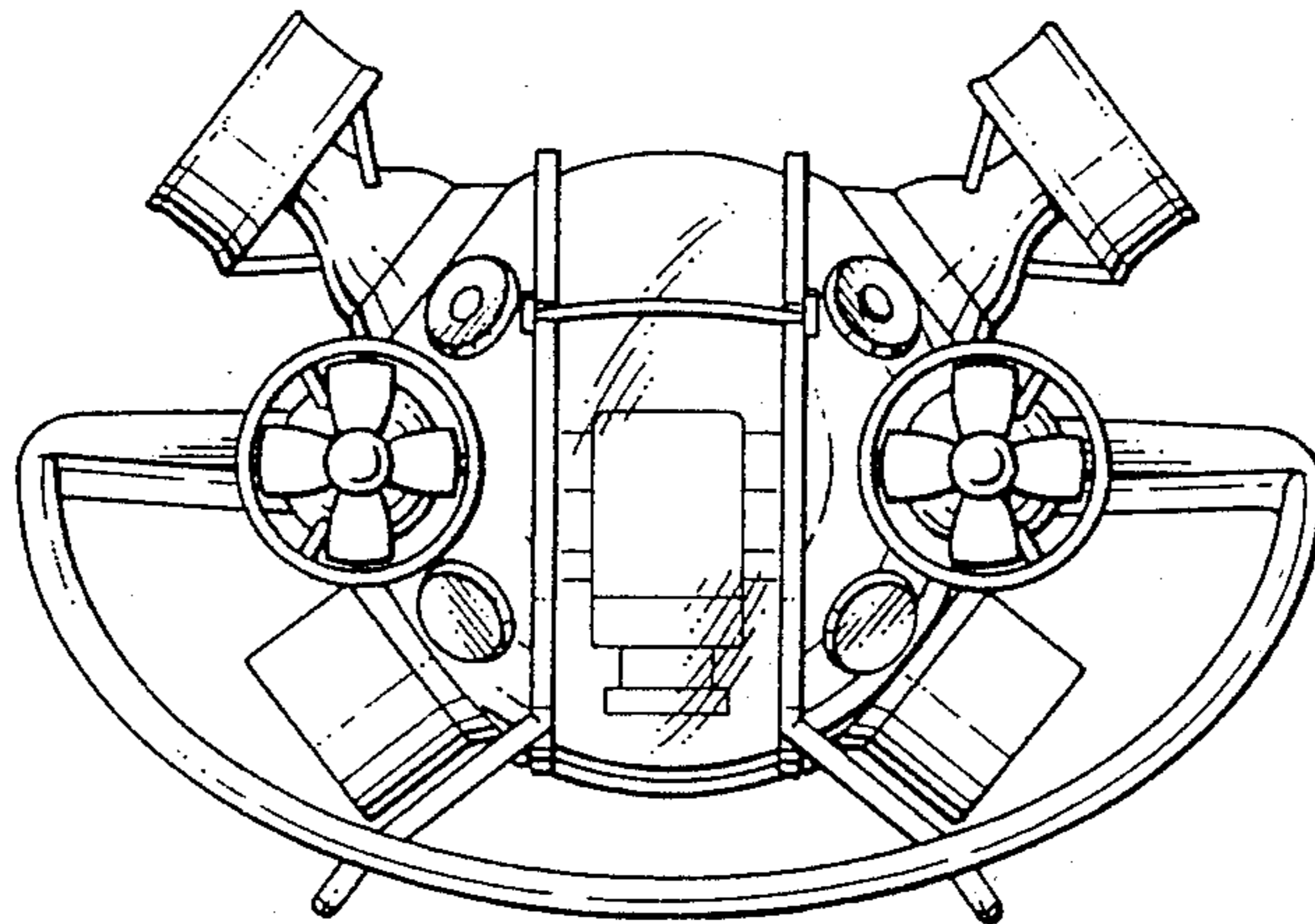


FIG. 2

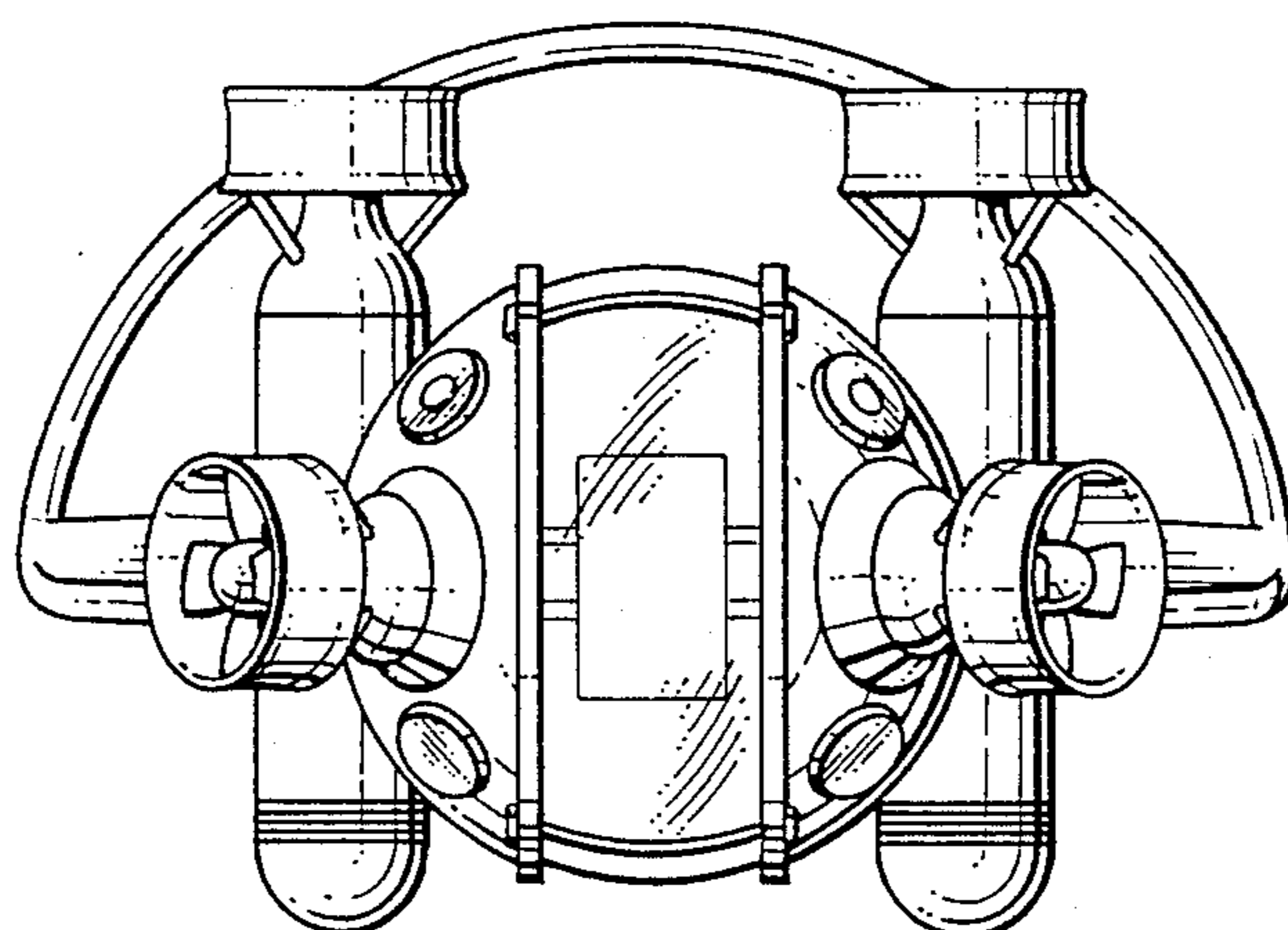


FIG. 3

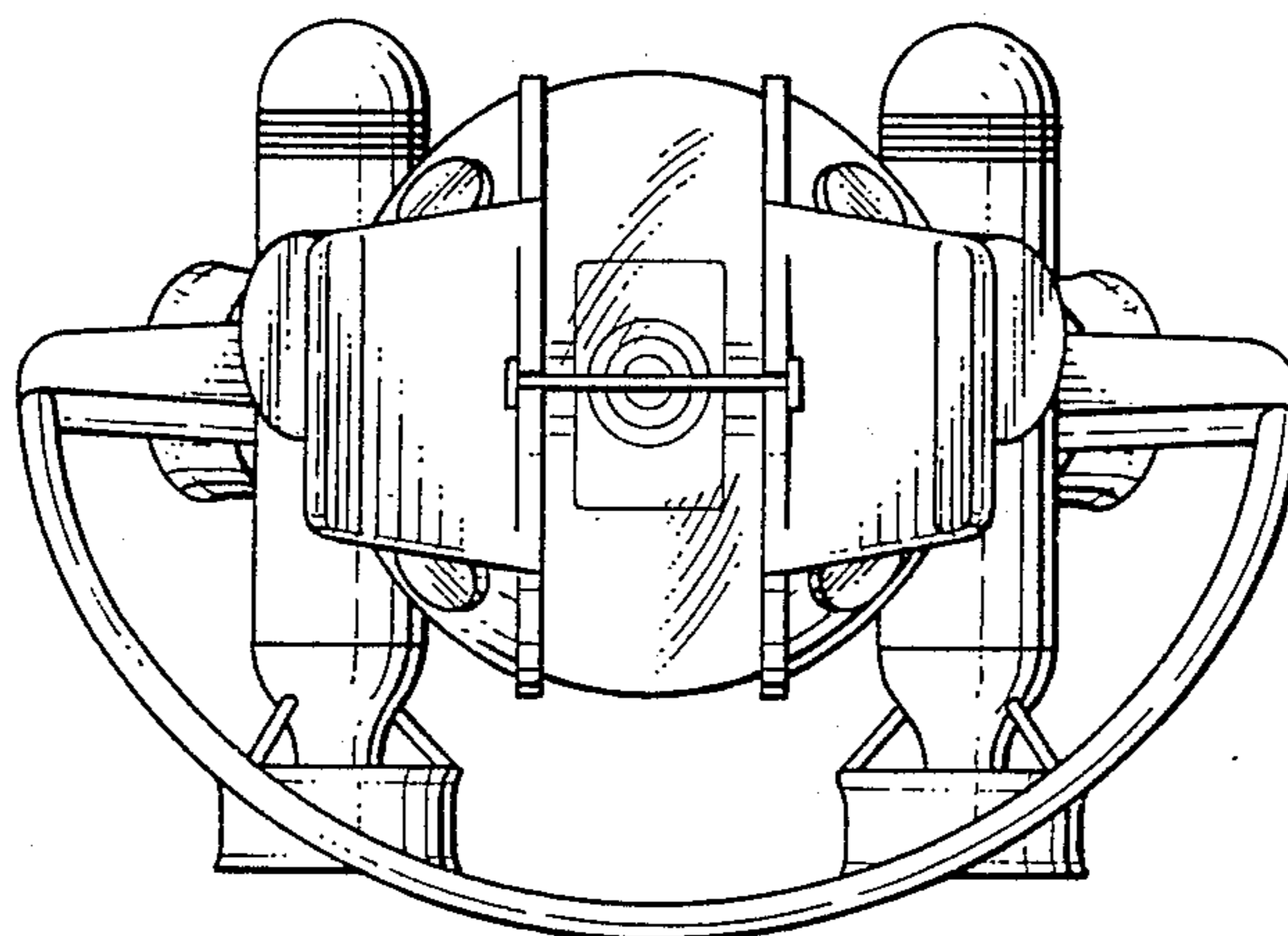


FIG. 4

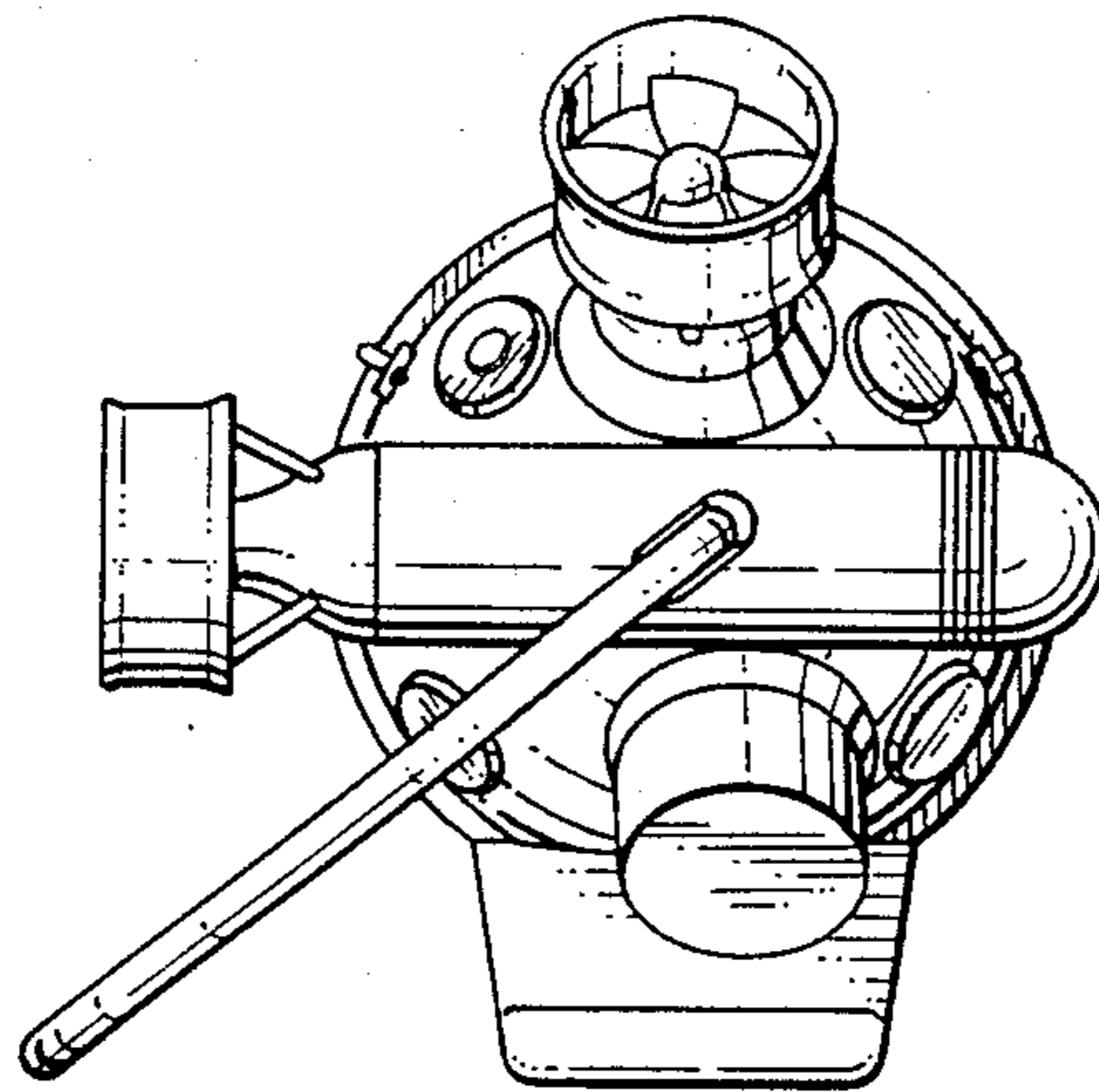


FIG. 5