

[54] **ANCHOR**  
[75] **Inventor: Peter Bruce, Onchan, Isle of Man**  
[73] **Assignee: BruPat Limited, Onchan, Isle of Man**  
[\*\*] **Term: 14 Years**  
[21] **Appl. No.: 78,721**  
[22] **Filed: Jul. 28, 1987**  
[30] **Foreign Application Priority Data**  
Jan. 29, 1987 [GB] United Kingdom ..... 1039619  
[52] **U.S. Cl. .... D12/215**  
[58] **Field of Search ..... D12/215; 14/300, 294,**  
14/301, 303, 295, 308, 306, 310, 311

[56] **References Cited**  
**U.S. PATENT DOCUMENTS**  
D. 230,518 2/1974 Bruce ..... D12/215  
4,173,938 11/1979 Colin ..... 114/294  
4,397,256 8/1983 Bruce ..... 114/303  
4,781,142 11/1988 Cheung ..... D12/215

4,802,434 2/1989 Bruce ..... 114/294

**FOREIGN PATENT DOCUMENTS**

2314094 7/1977 France .  
2035242 6/1980 United Kingdom .  
2083428 3/1982 United Kingdom ..... 114/294

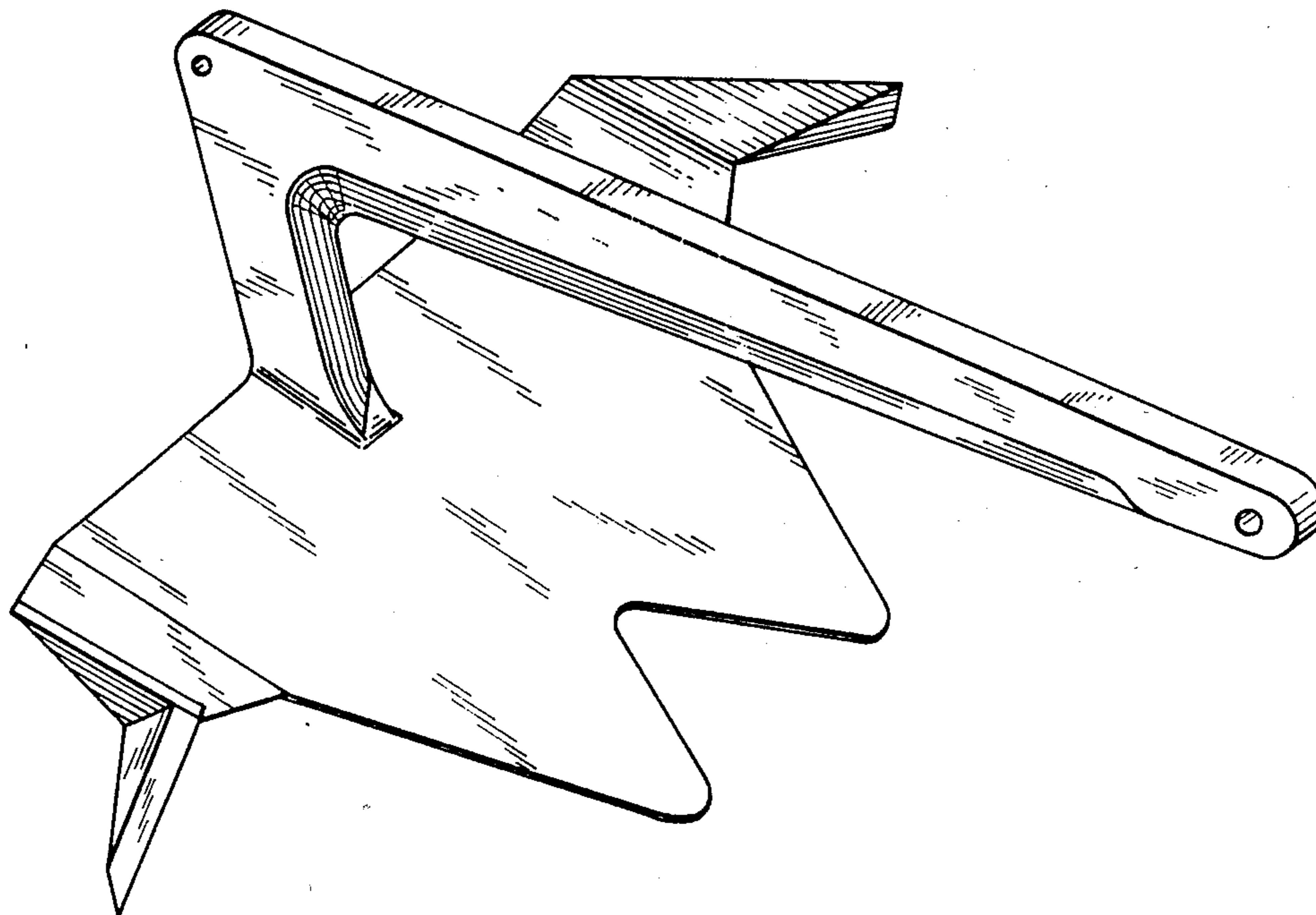
*Primary Examiner*—James M. Gandy  
*Assistant Examiner*—Kay H. Chin  
*Attorney, Agent, or Firm*—Mason, Fenwick & Lawrence

[57] **CLAIM**

The ornamental design for an anchor, as shown and described.

**DESCRIPTION**

FIG. 1 is a top perspective view of an anchor showing my new design;  
FIG. 2 is a side elevational view thereof, the opposite side elevational view being a mirror image of that shown;  
FIG. 3 is a top plan view thereof;  
FIG. 4 is a rear elevational view thereof; and  
FIG. 5 is a bottom plan view thereof.



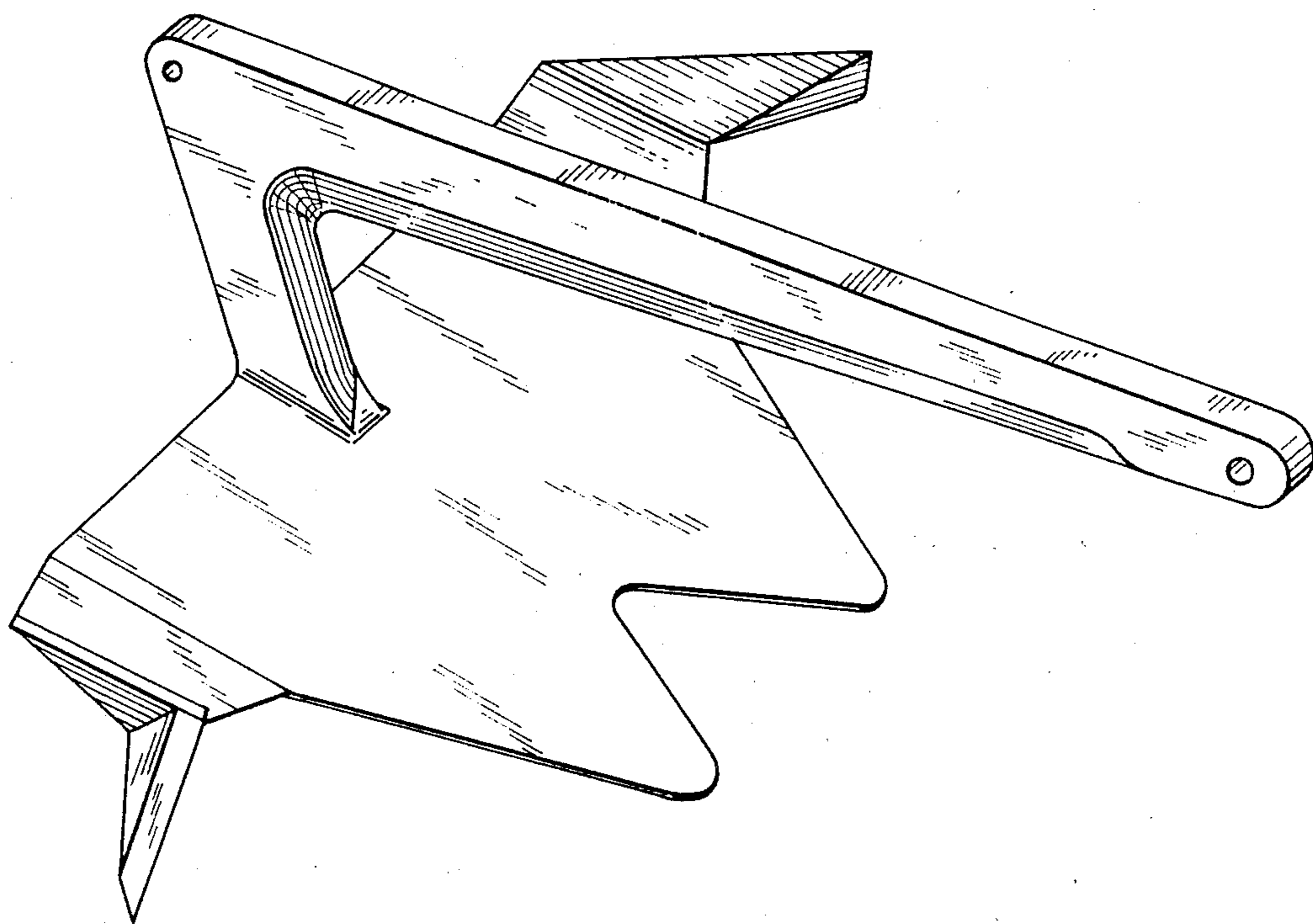


Fig. 1

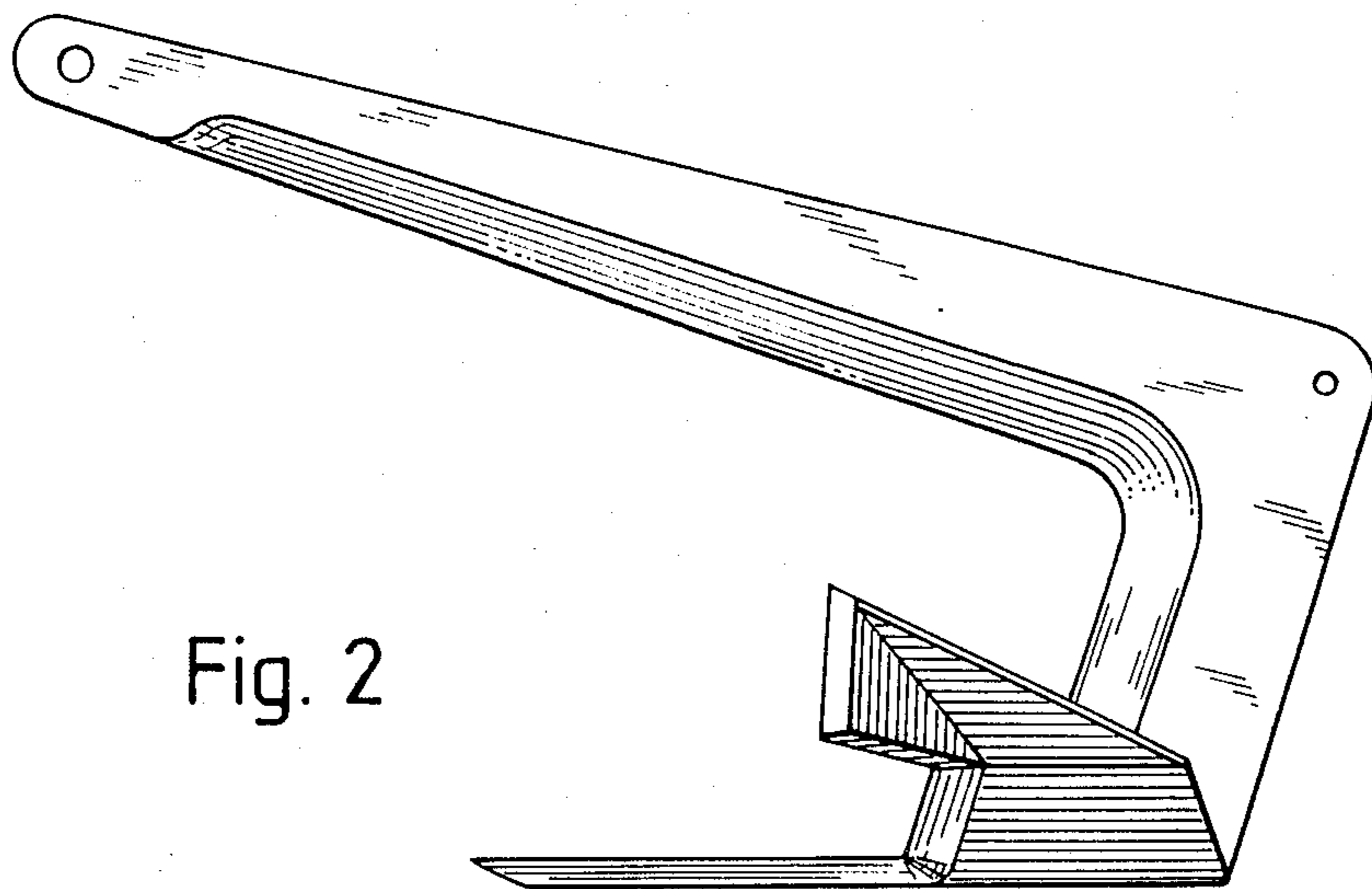


Fig. 2

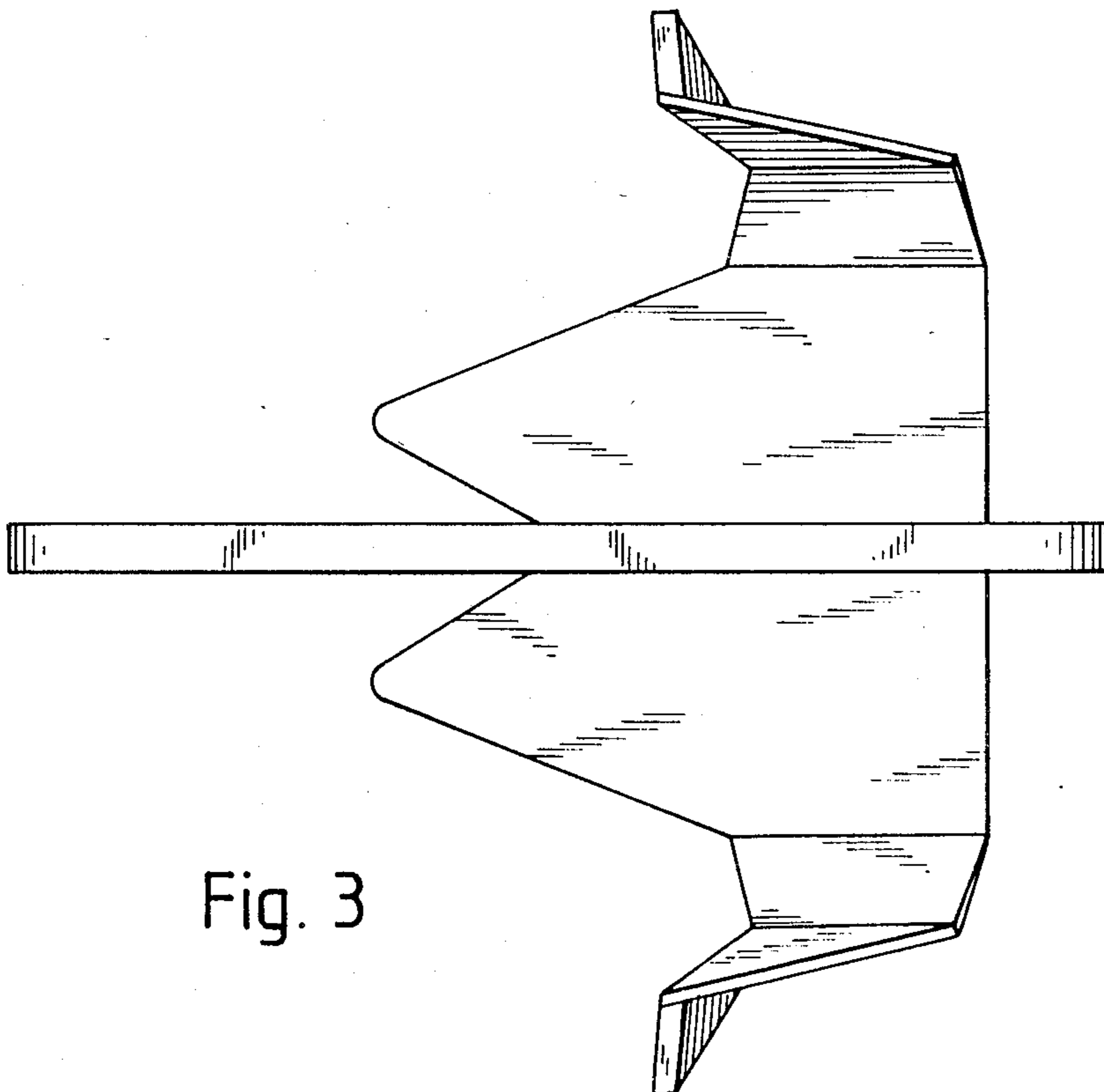


Fig. 3

Fig. 4

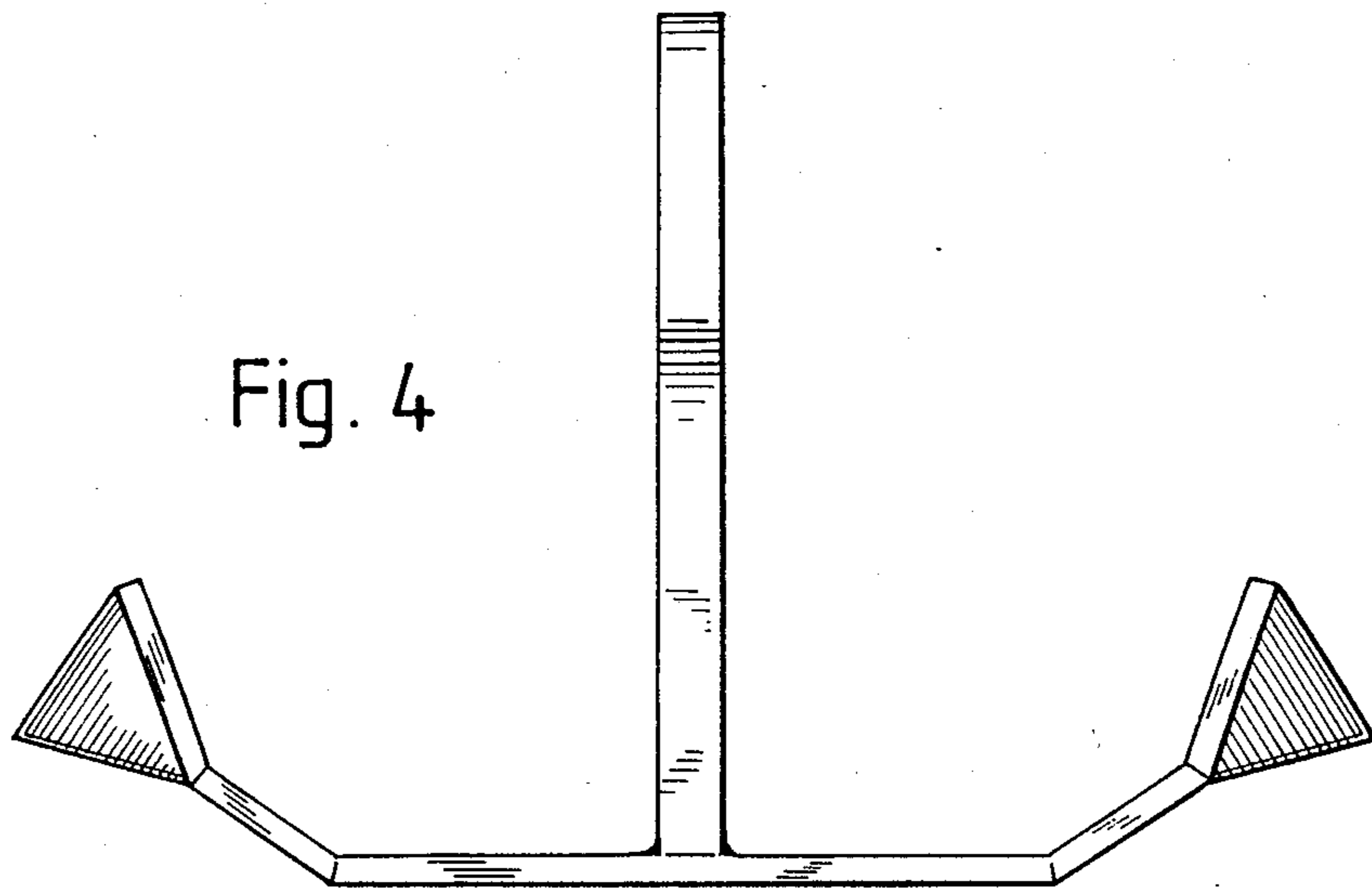


Fig. 5

