

[54] **BICYCLE HANDLEBAR STEM**

[75] **Inventor: David K. McMurtrey, Maysville, Ky.**

[73] **Assignee: Wald Manufacturing Co., Inc.,  
 Maysville, Ky.**

[\*\*] **Term: 14 Years**

[21] **Appl. No.: 51,483**

[22] **Filed: May 18, 1987**

[52] **U.S. Cl. .... D12/118**

[58] **Field of Search ..... D12/118; 74/551.1;  
 403/373**

[56] **References Cited**

**U.S. PATENT DOCUMENTS**

D. 253,589	12/1979	Horton .....	D12/118
D. 280,311	8/1985	Pawsat .....	74/551.1
4,322,087	3/1982	Addicks .....	D12/118
4,337,962	7/1982	Allen et al. ....	280/279
4,501,435	2/1985	McMurtrey .....	74/551.1
4,526,491	7/1985	Pawsat .....	74/551.1
4,616,949	10/1986	Kellner .....	403/373

**OTHER PUBLICATIONS**

*Japan's Bicycle Guide 1983*, vol. 33, pp. 167, 168, 169 and 171.

*Win-Kusuki*, 1984, p. 5.

*Sakae Ringo*, 1984, p. 8.

*Italmanubri*, 1984, unnumbered page.

*Japan's Bicycle Guide 1986*, pp. 179, 181, 184, 186, 188, and 190.

*Bicycle Today*, 87' Buyers' Guide, p. 175.

*Taiwan Bicycles & Parts Buyers' Guide*, 1987, p. 309.

*Primary Examiner*—James M. Gandy

*Assistant Examiner*—Melody Brown

*Attorney, Agent, or Firm*—Wood, Herron & Evans

[57] **CLAIM**

The ornamental design for a bicycle handlebar stem, as shown and described.

**DESCRIPTION**

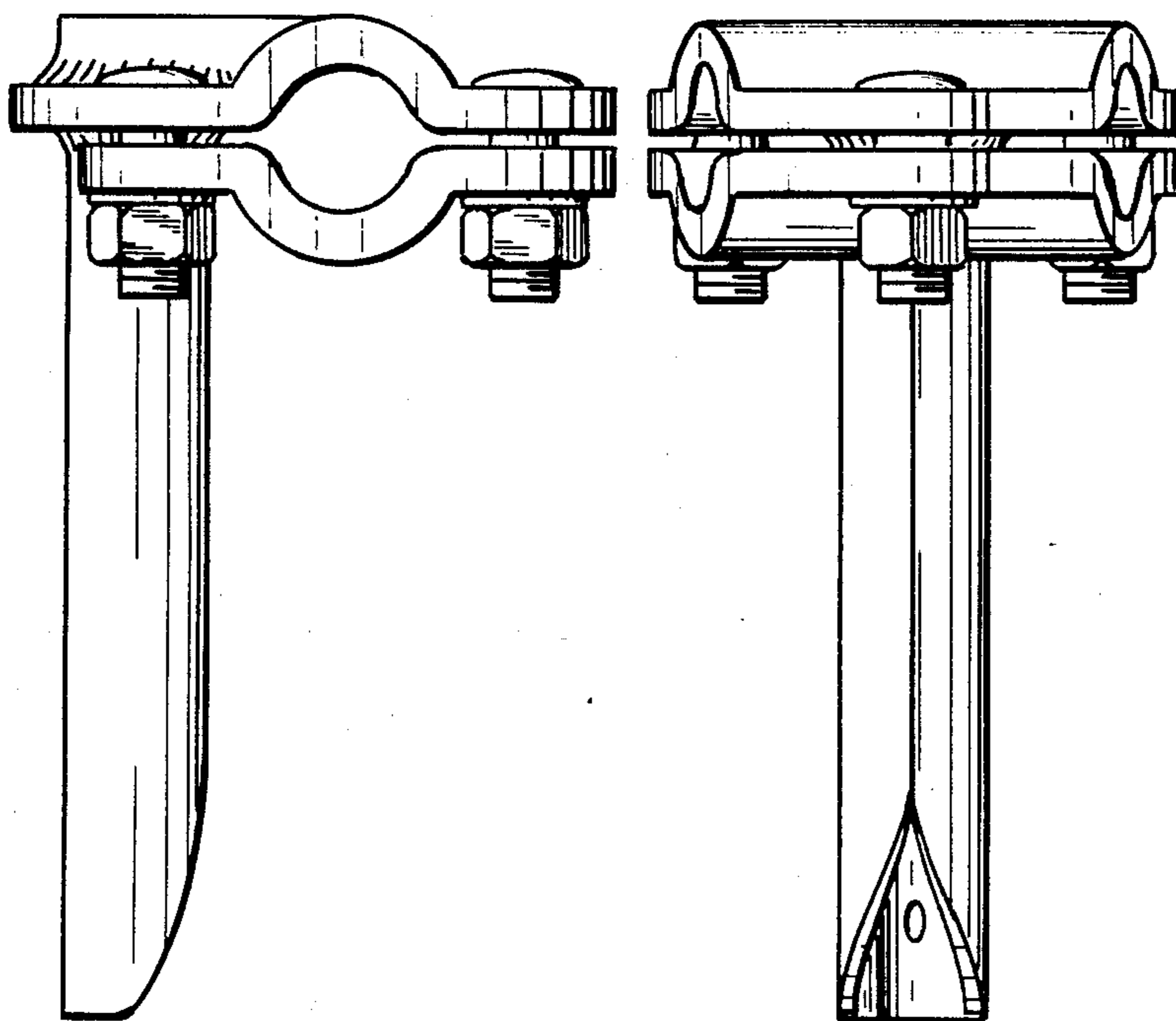
FIG. 1 is a side elevational view of a bicycle handlebar stem showing my new design, the opposite side being a mirror image thereof.

FIG. 2 is a front elevational view thereof.

FIG. 3 is a rear elevational view thereof.

FIG. 4 is a top plan view thereof.

FIG. 5 is a bottom plan view thereof.



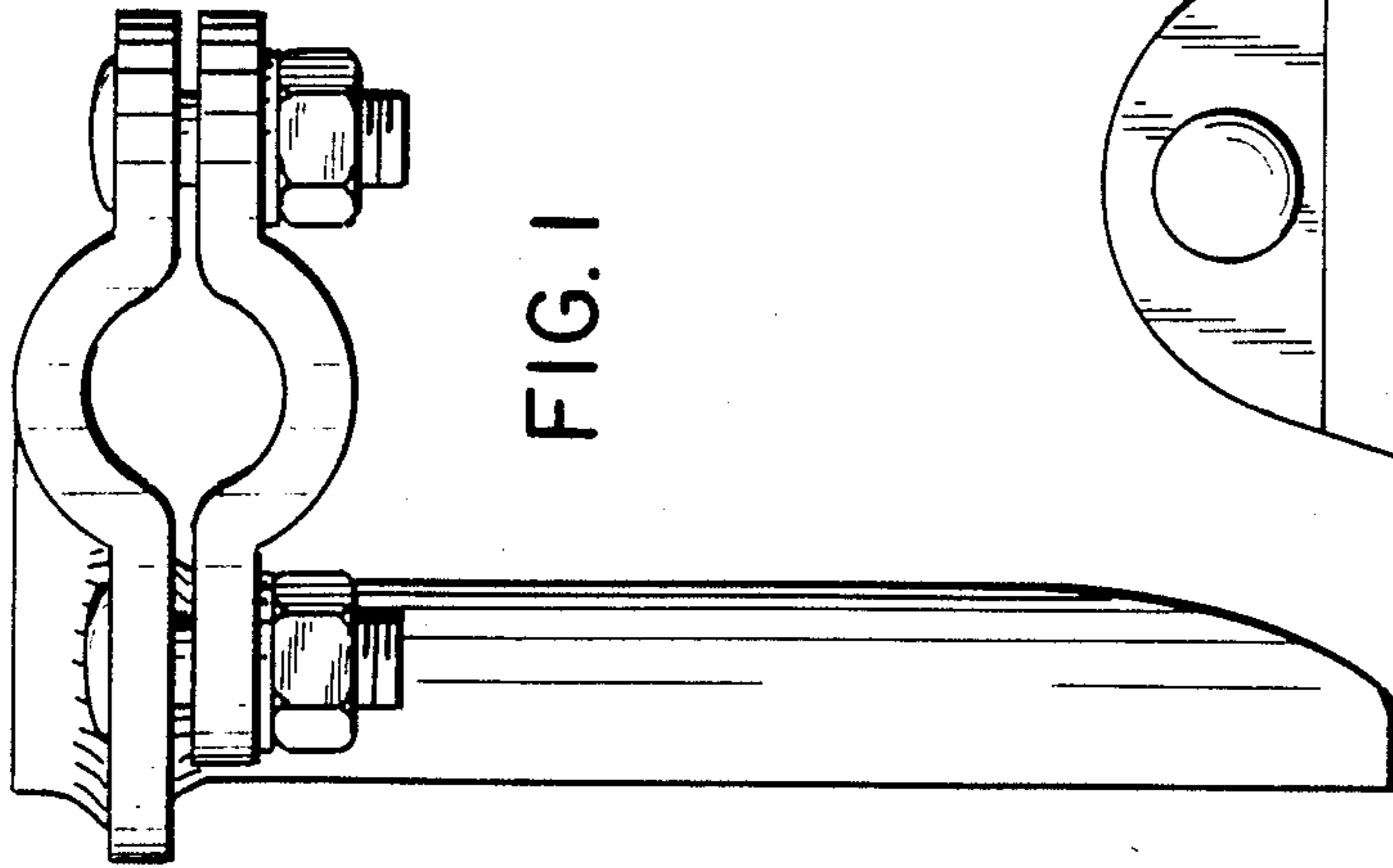


FIG. 1

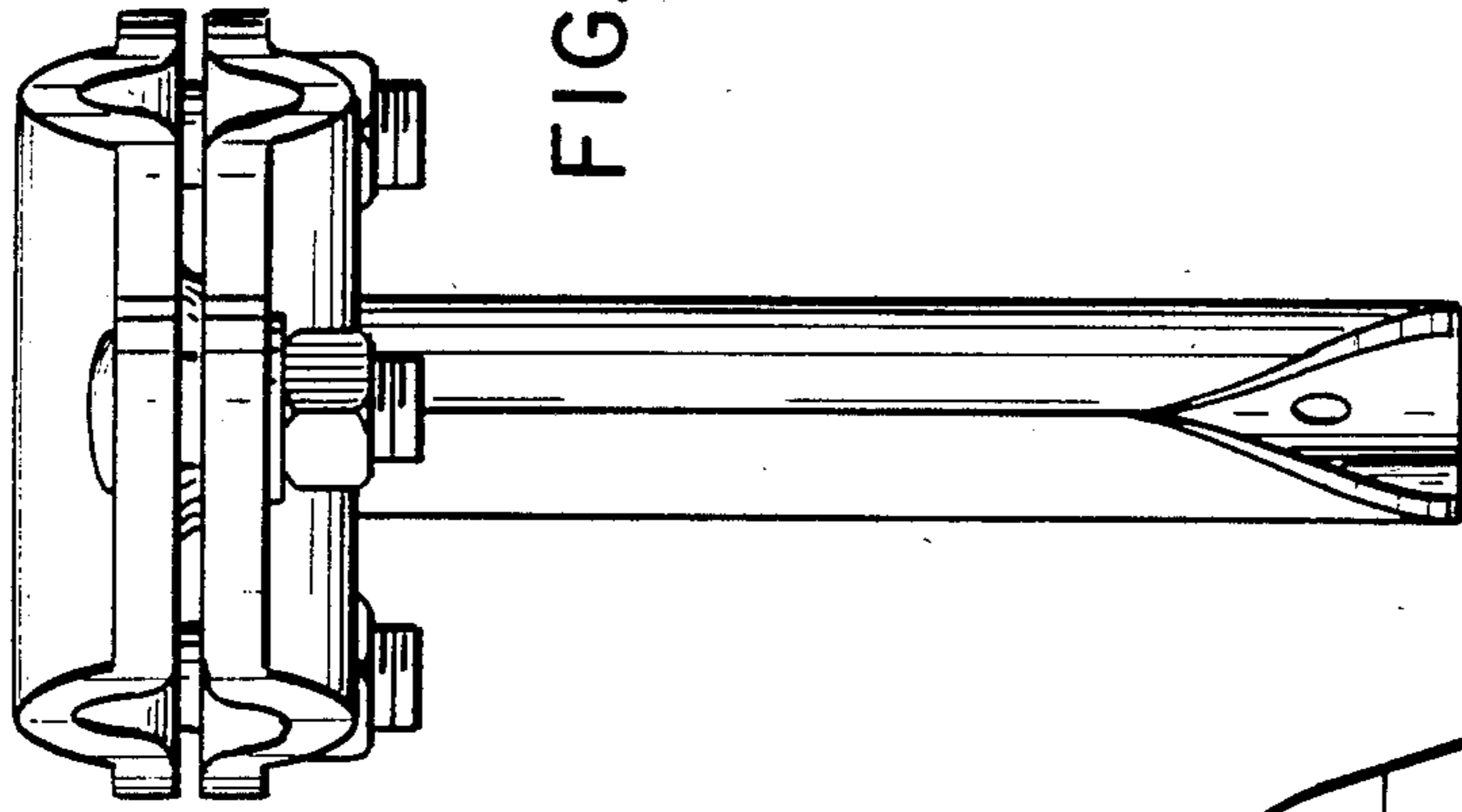


FIG. 2

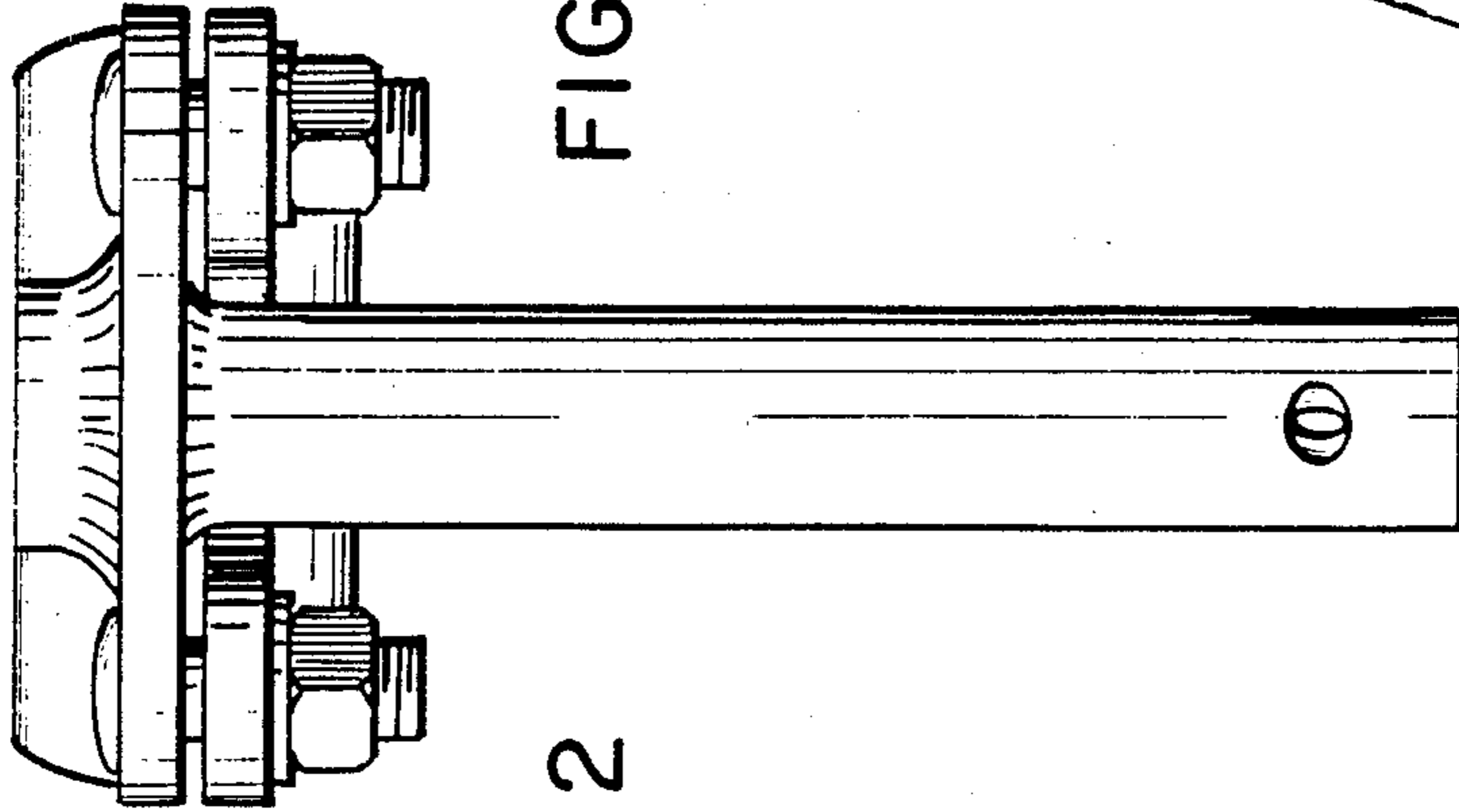


FIG. 3

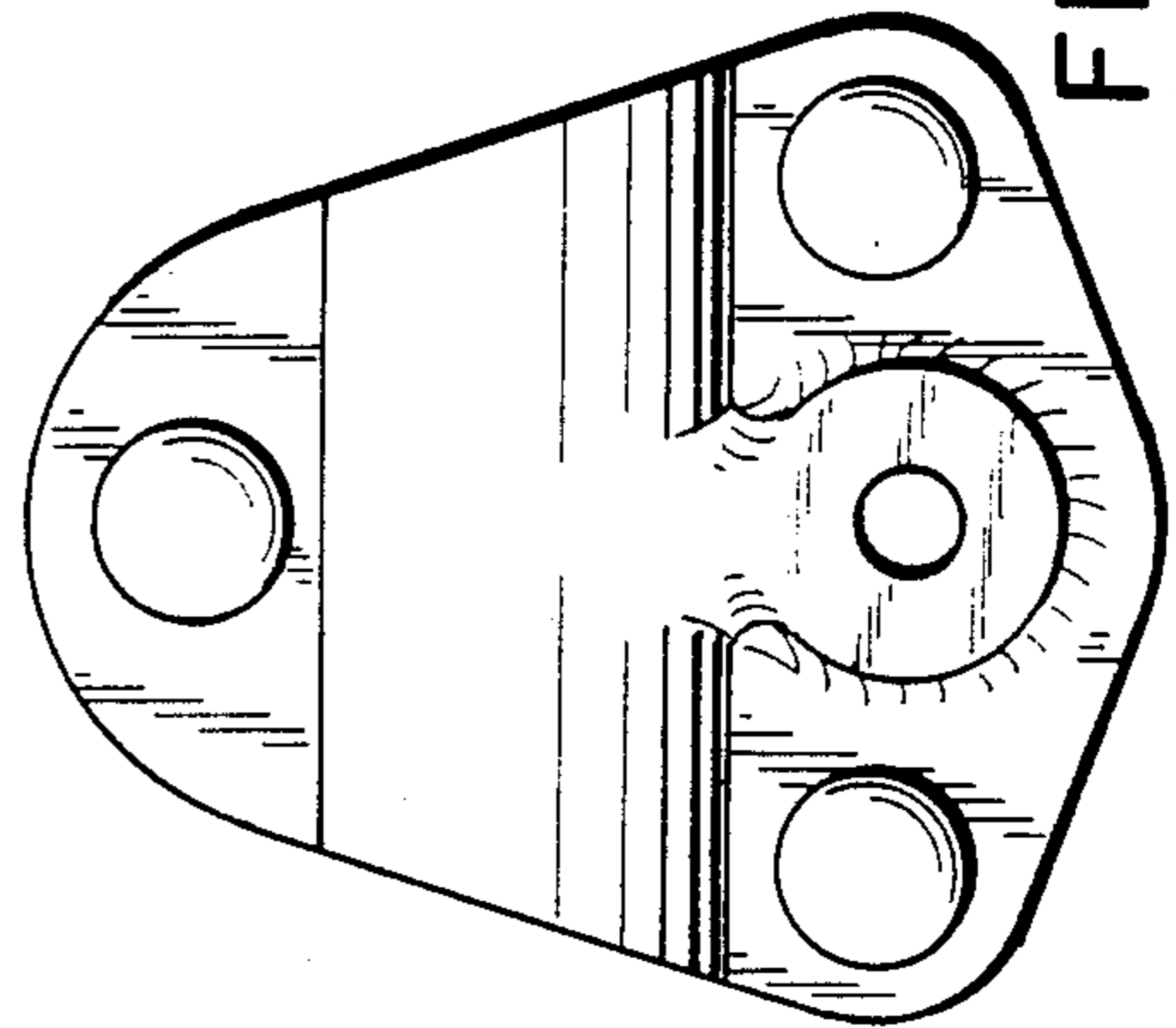


FIG. 4

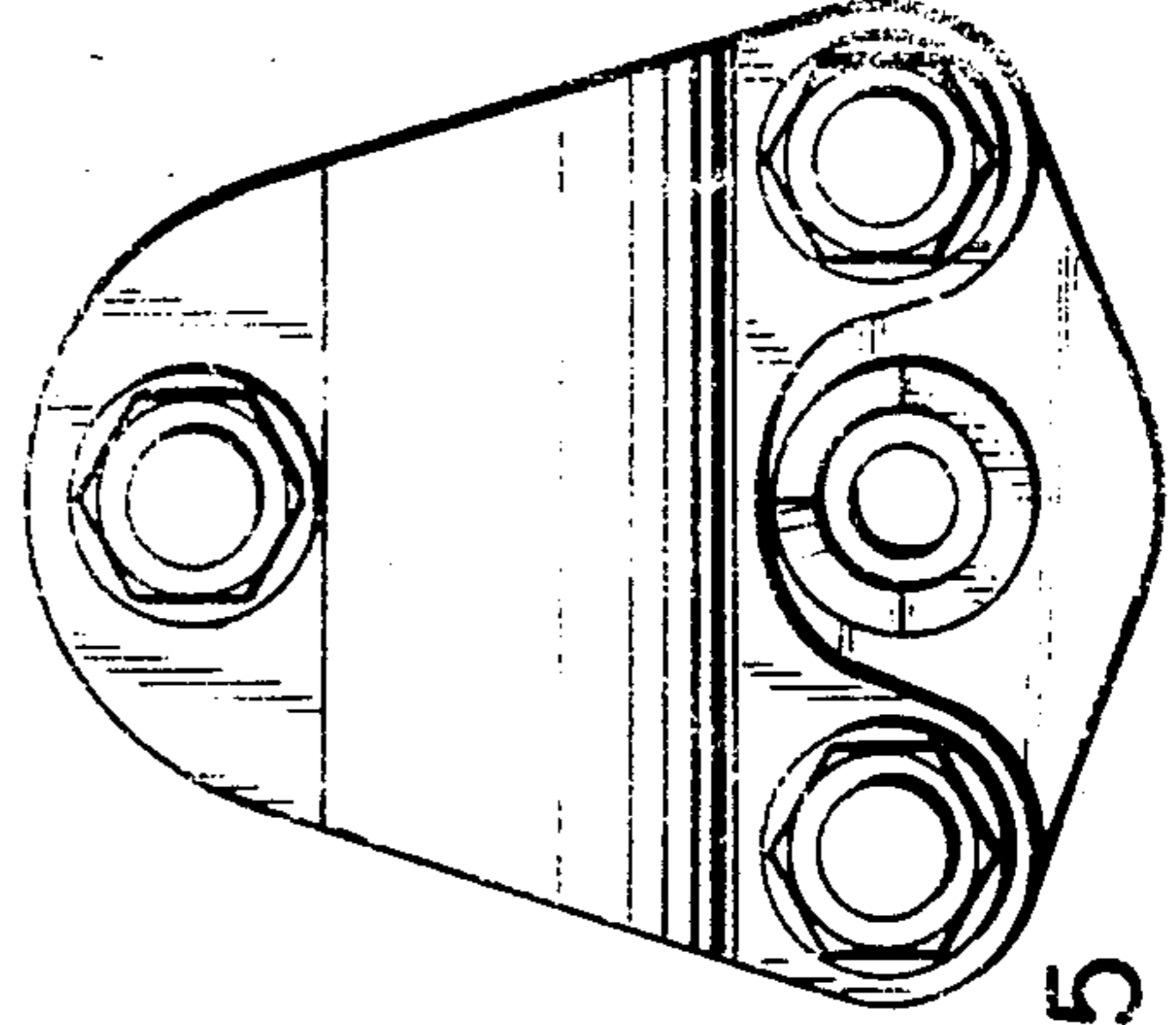


FIG. 5