

[54] SMOKE DETECTOR

[75] Inventor: Darrell Fish, Timonium, Md.

[73] Assignee: Universal Security Instruments, Inc.,  
Owing Mills, Md.

[\*\*] Term: 14 Years

[21] Appl. No.: 939,454

[22] Filed: Dec. 8, 1986

[52] U.S. Cl. .... D10/106

[58] Field of Search ..... D10/104, 106, 116, 121;  
340/521, 540-546, 555, 556, 557, 565-578, 584,  
600, 628, 629, 630

D. 271,287 11/1983 Fenne .  
D. 271,670 12/1983 Takai et al. .  
D. 275,187 8/1984 Skarman .  
D. 284,748 7/1986 Fenne ..... D10/106  
3,500,368 3/1970 Abe .  
3,903,419 9/1975 Lehsten .

OTHER PUBLICATIONS

Graviner Fire Protection Systems Catalog, 1978, p. 2,  
fixed temperature detector.

Primary Examiner—Susan J. Lucas  
Attorney, Agent, or Firm—Howard L. Rose

[57] CLAIM

The ornamental design for a smoke detector, as shown  
and described.

DESCRIPTION

FIG. 1 is a top plan view of a smoke detector showing  
my new design;  
FIG. 2 is a side elevational view thereof, the opposite  
side being a mirror image;  
FIG. 3 is a bottom plan view thereof;  
FIG. 4 is a top perspective view thereof.

[56] References Cited

U.S. PATENT DOCUMENTS

D. 240,120 6/1976 Pasquarette ..... D10/116  
D. 262,868 2/1982 Westphal .  
D. 262,952 2/1982 Hanig .  
D. 269,161 5/1983 Fenne .  
D. 269,331 6/1983 Fenne .  
D. 269,332 6/1983 Fenne .

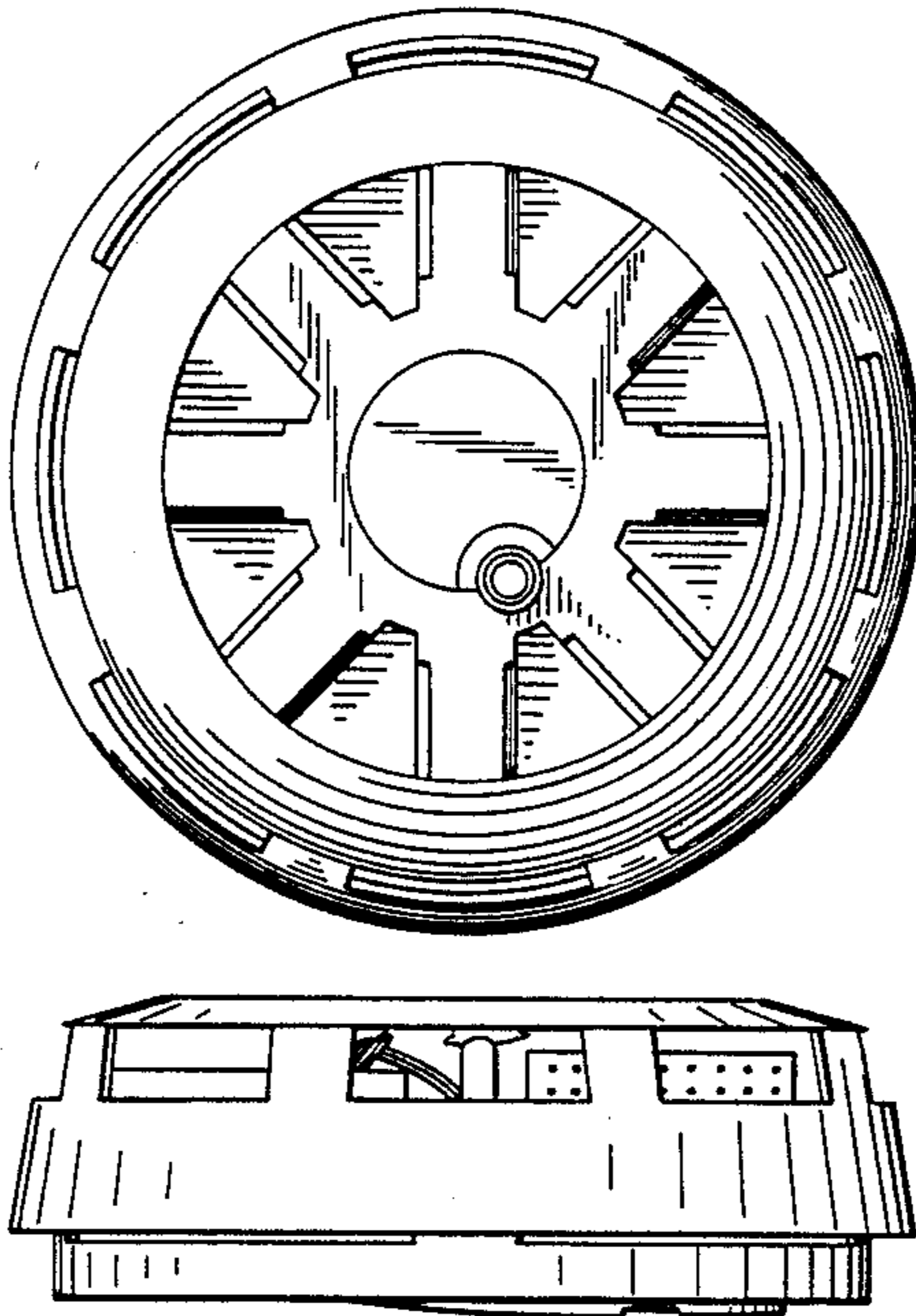


Fig. 1

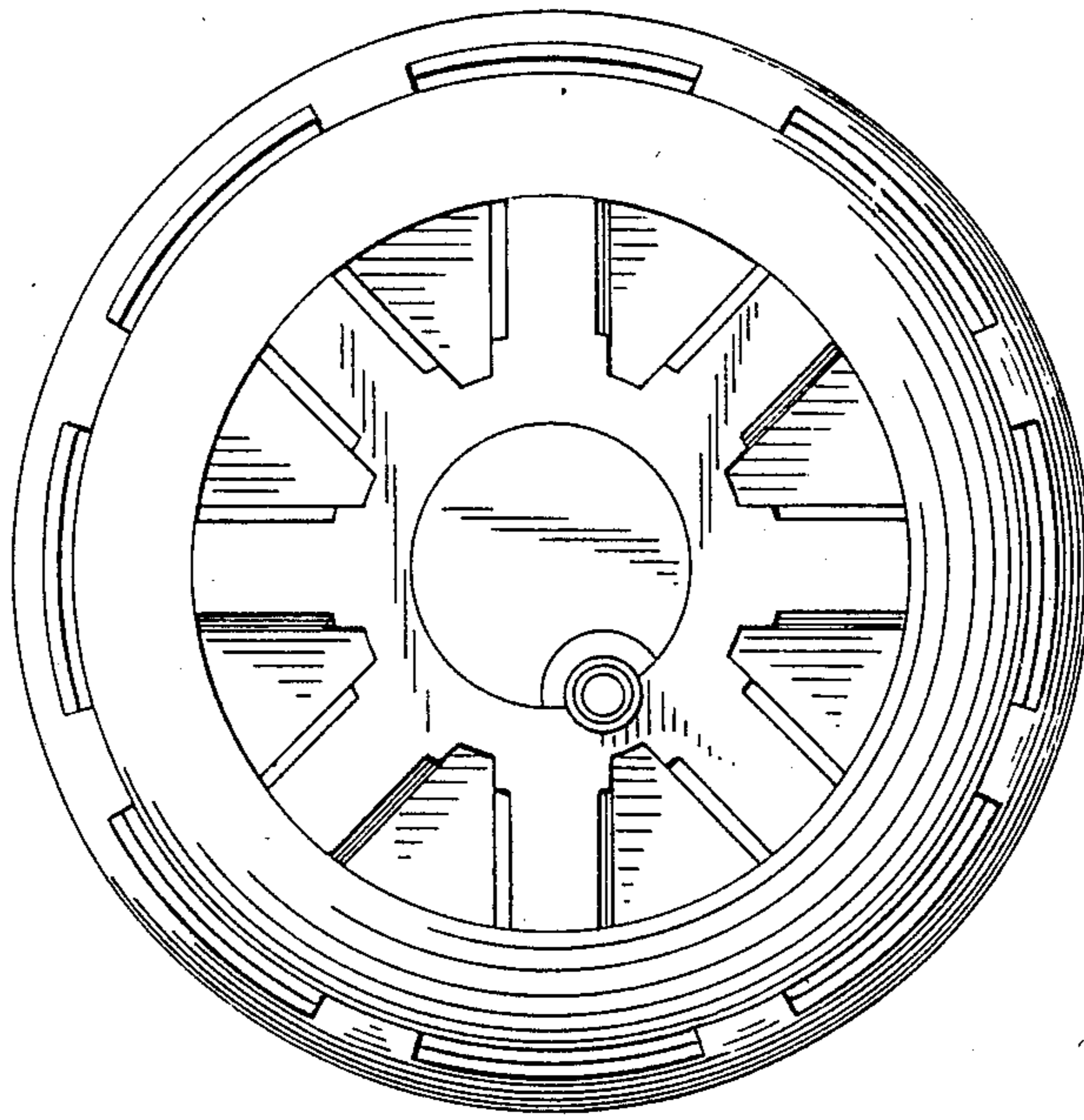


Fig. 2

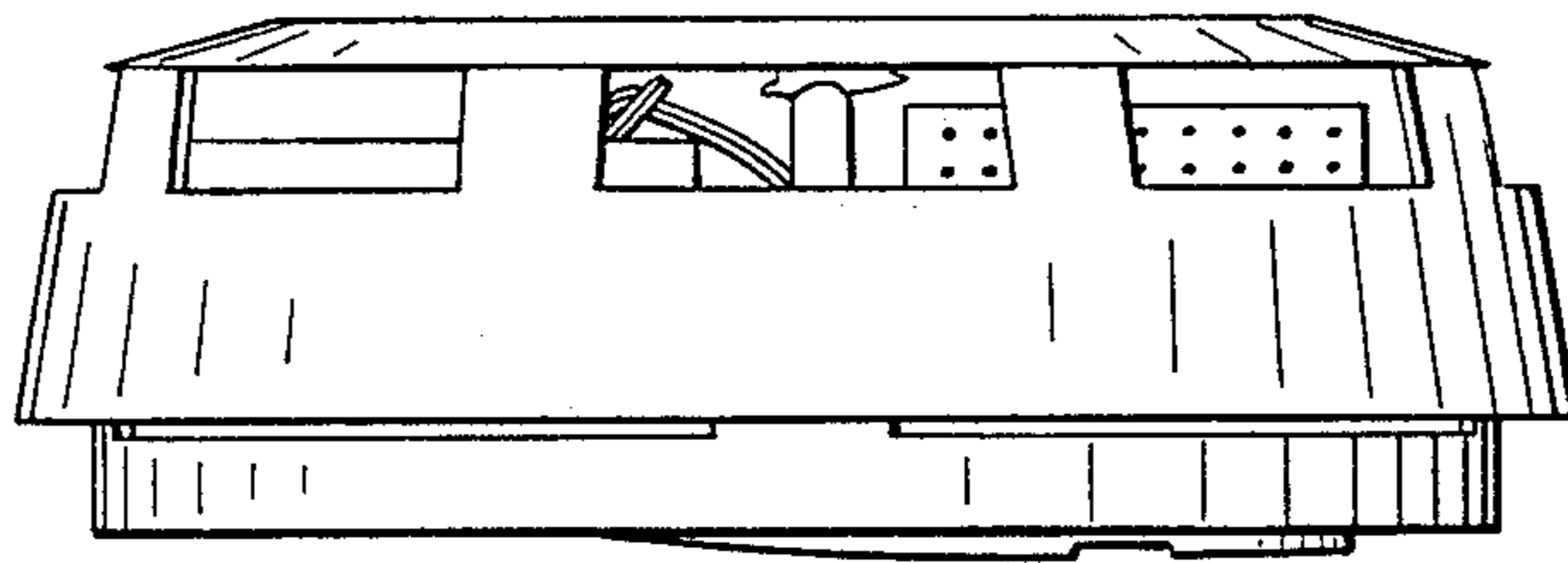


Fig. 3

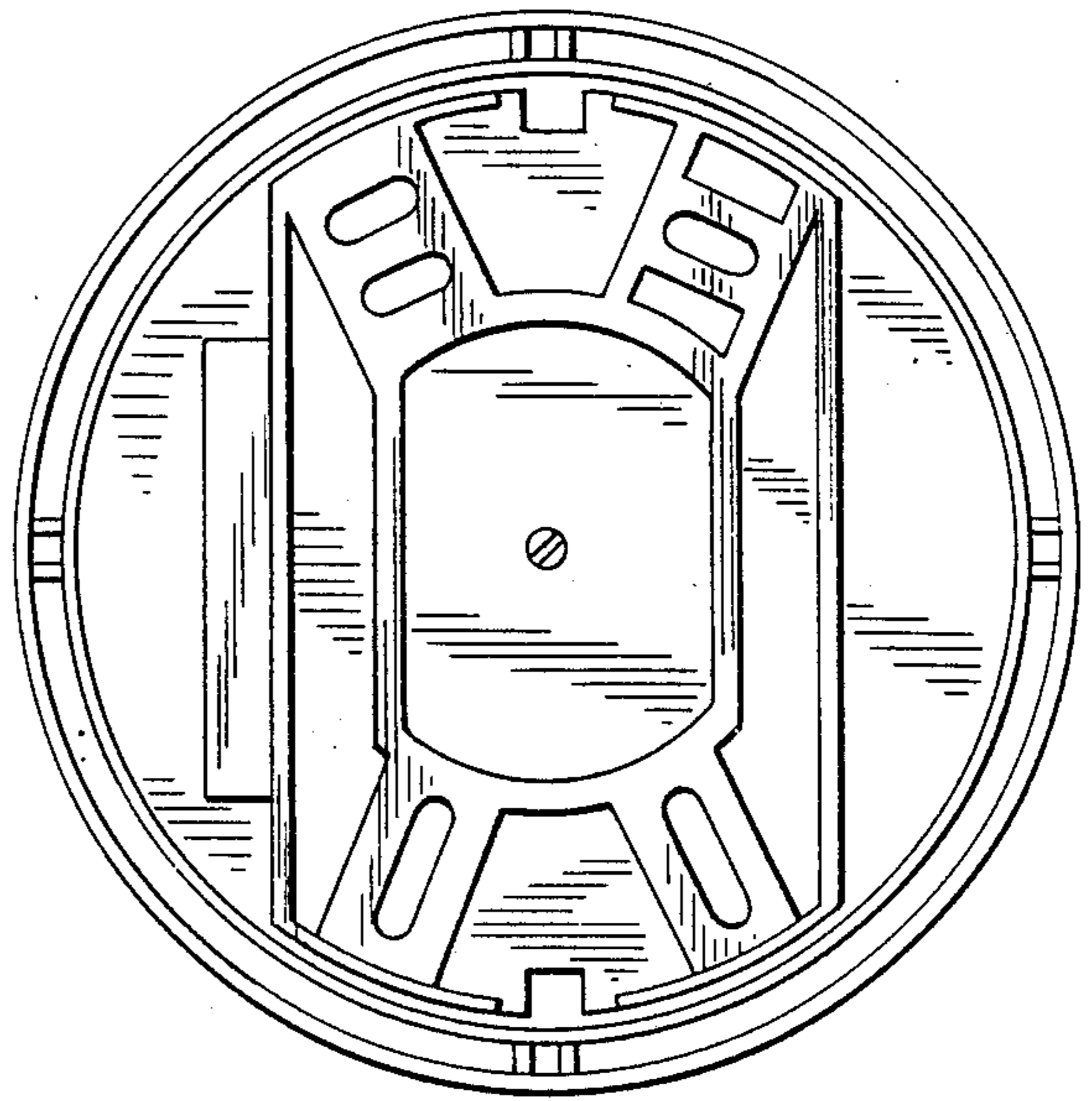


Fig. 4

