

[54] PIZZA PIE CONTAINER  
 [75] Inventor: Helmut Kuerti, Bedford, N.H.  
 [73] Assignee: New England Tray, Ltd.,  
 Londonberry, N.H.  
 [\*\*] Term: 14 Years  
 [21] Appl. No.: 85,604  
 [22] Filed: Aug. 13, 1987  
 [52] U.S. Cl. .... D9/424  
 [58] Field of Search ..... D9/414-433,  
 D9/345, 346, 456; 206/551, 45.32, 218, 541;  
 229/115, 100, 2.5 R, 4.5, 902

2,525,337 10/1950 Brooks et al. .... 206/551  
 3,118,533 1/1964 Curtis ..... 206/45.32  
 3,620,403 11/1971 Rump ..... 206/551  
 3,620,411 11/1971 Rump ..... 229/2.5 X

Primary Examiner—Bernard Ansher  
 Assistant Examiner—Prabhakar Deshmukh  
 Attorney, Agent, or Firm—Davis, Bujold & Streck

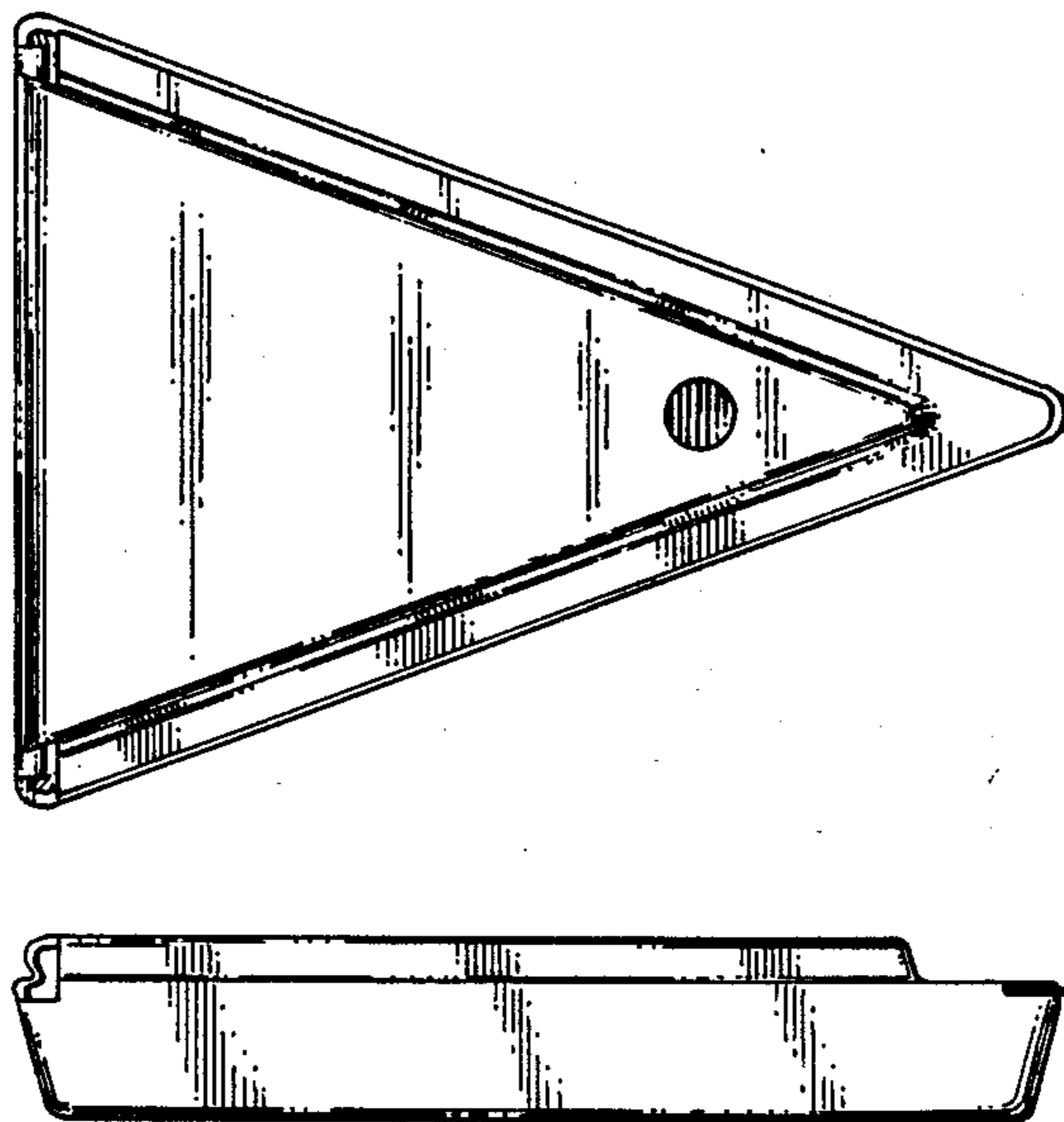
[57] CLAIM

The ornamental design for pizza pie container, as shown and described.

DESCRIPTION

FIG. 1 is a top plan view of a pizza pie container showing my new design;  
 FIG. 2 is a left side elevation thereof, the right side elevation being a mirror image;  
 FIG. 3 is a bottom plan view thereof;  
 FIG. 4 is a front elevation thereof; and  
 FIG. 5 is a rear side elevation thereof.

[56] References Cited  
 U.S. PATENT DOCUMENTS  
 D. 201,644 7/1965 Cave ..... D9/425  
 D. 220,752 5/1971 Artz ..... D9/425  
 D. 227,226 6/1973 Bird ..... D9/425



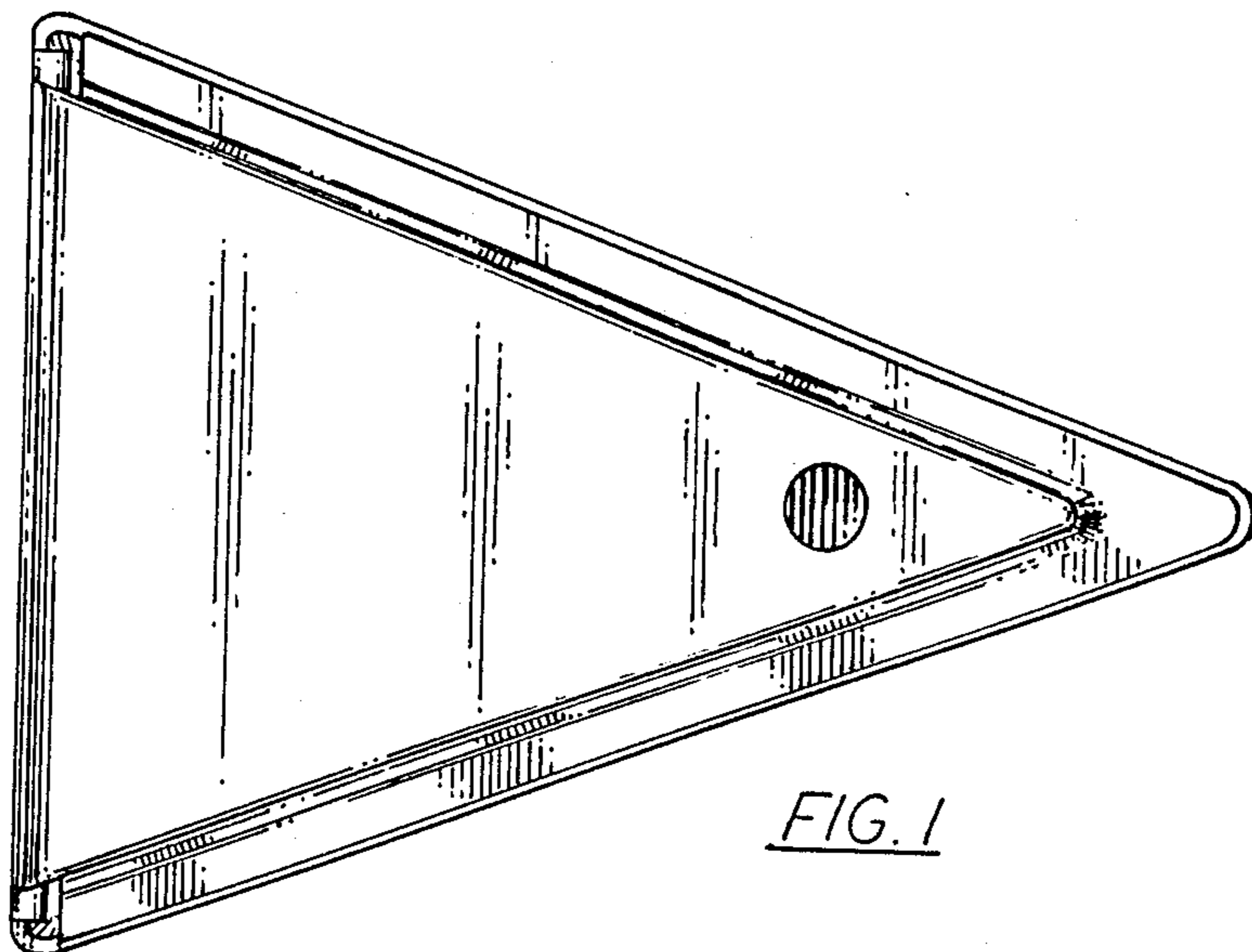


FIG. 1

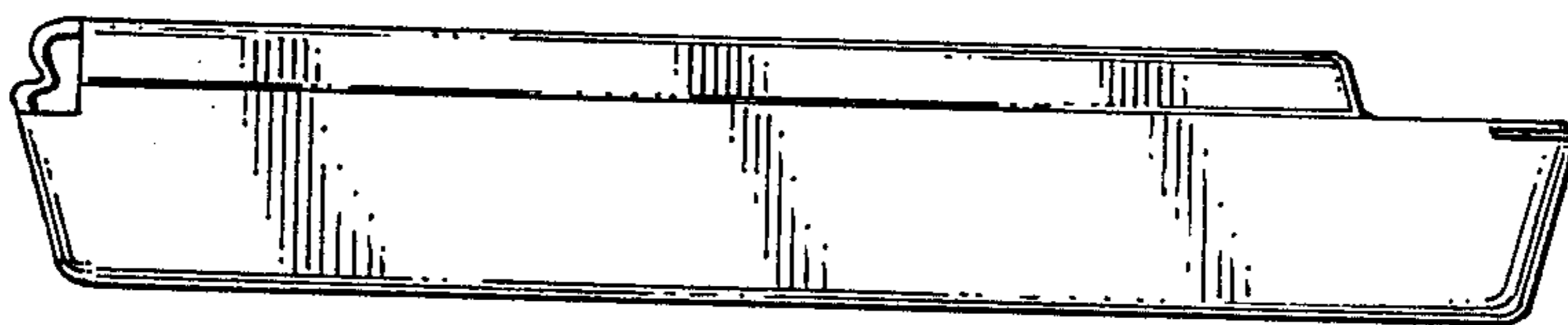


FIG. 2

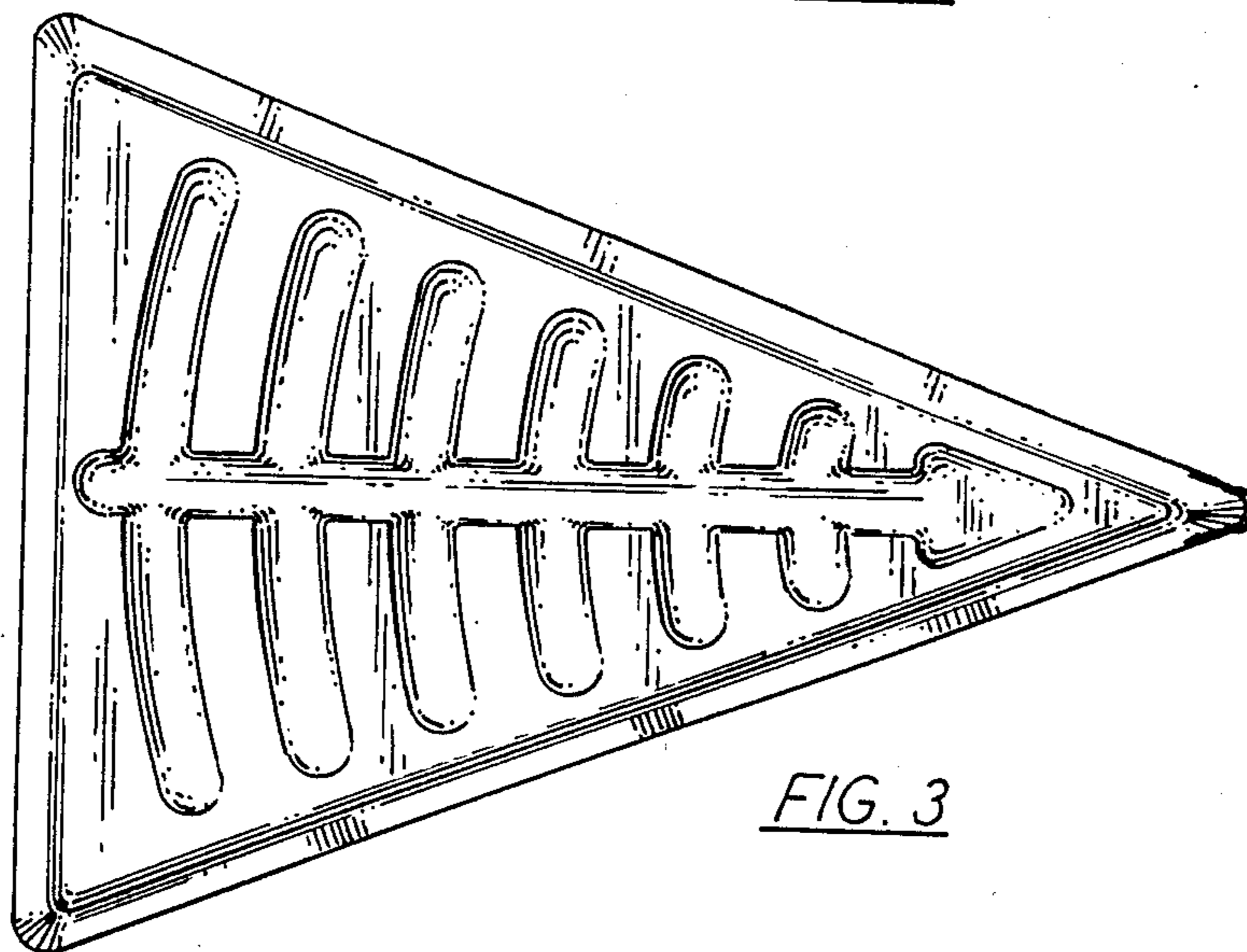


FIG. 3

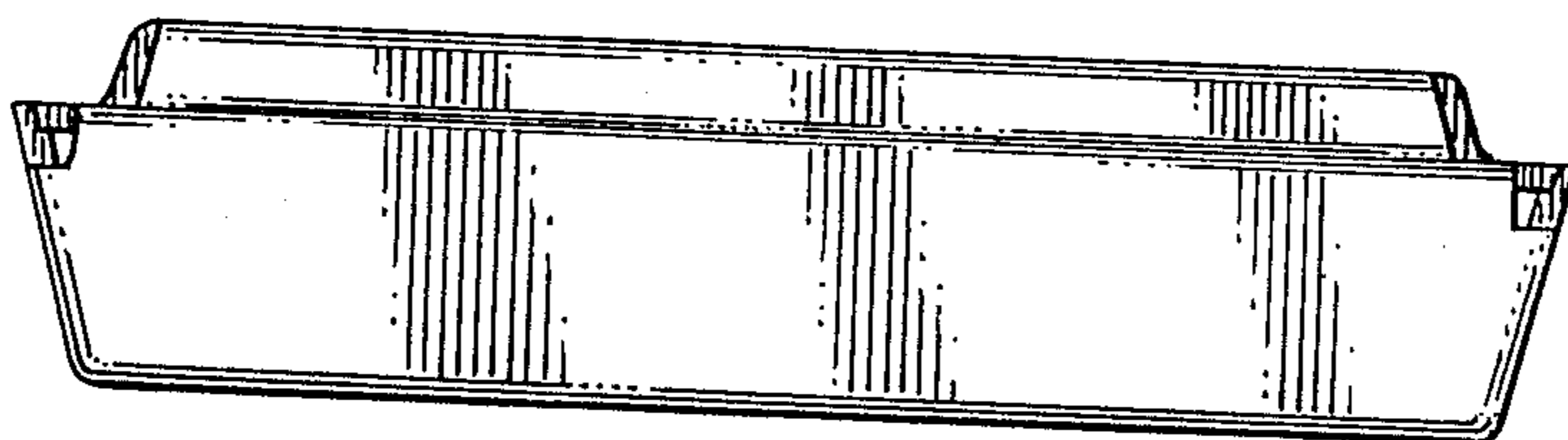


FIG. 5

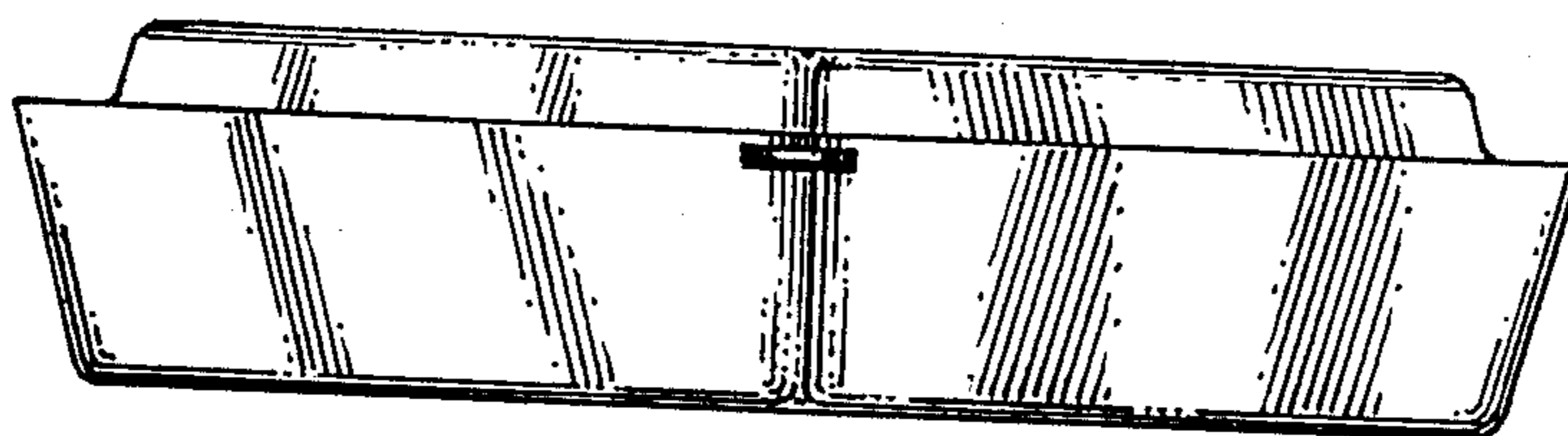


FIG. 4